

**48/50LC 04–26  
Single Package Rooftop Units  
with SystemVu™ Controls Version 2.X  
and Puron® (R–410A) Refrigerant**



**Controls, Start–Up, Operation  
and Troubleshooting**



C150173

**IMPORTANT:** This literature covers 48/50LC 04–26 models with SystemVu controls version 2.X (factory-installed option).

**TABLE OF CONTENTS**

	Page		Page
SAFETY CONSIDERATIONS .....	2	Condenser Fans and Motors .....	7
GENERAL .....	3	Return-Air Filters .....	7
Conventions Used in This Manual .....	3	Outdoor-Air Inlet Screens .....	7
BASIC CONTROL USAGE .....	3	Accessory Installation .....	7
SystemVu Control .....	3	Gas Heat (48LC) .....	8
SystemVu Interface .....	3	CONTROLS QUICK SET-UP .....	9
Accessory Navigator™ Display .....	4	Control Set Point and Confirmation Log .....	9
System Pilot™ and Touch Pilot™ Devices .....	5	Initial Startup .....	9
CCN Tables and Display .....	5	Thermostat Control .....	9
START-UP .....	6	Space Temperature Sensor Control - Direct Wired (T-55 or T-56 or T-59) .....	9
Unit Preparation .....	6	Space Humidistat Control .....	9
Refrigerant Service Ports .....	6	Relative Humidity Sensor Control .....	9
Crankcase Heater .....	6	CCN Communication .....	10
Compressor Rotation .....	6	CCN Linkage Control .....	10
Power Supply .....	6	System Pilot™ - Communication Space Sensor .....	10
Internal Wiring .....	6	Accessories .....	10
Evaporator Fan .....	6		

Programming Operating Schedules .....	10
SERVICE TEST .....	11
Independent Outputs .....	11
Fan Test .....	11
Cooling Test .....	11
Heating Test .....	11
Automatic Test .....	12
THIRD PARTY CONTROL .....	12
Cooling/Heating Control .....	12
Dehumidification Control .....	12
Remote Occupancy .....	12
Remote Shutdown .....	12
Alarm Output .....	12
Economizer Damper Control .....	12
CONTROLS OPERATION .....	12
Display Configuration .....	12
Unit Configuration .....	13
General Operation .....	13
Demand Determination .....	14
Occupancy Determination .....	15
Indoor Fan Operation .....	16
Cooling Operation .....	17
Optional Humidi-MiZer <sup>®</sup> Dehumidification System .....	19
Indoor Fan Based Dehumidification .....	22
Heating Operation .....	22
Supply Air Tempering .....	24
Economizer Operation .....	24
Power Exhaust .....	26
Indoor Air Quality (IAQ) .....	26
Pre-occupancy Purge .....	27
Temperature Compensated Start .....	27
Linkage .....	28
Carrier Comfort Network <sup>®</sup> (CCN) Operation .....	28
BACnet Network Operation .....	28
Alarm Handling .....	28
TROUBLESHOOTING .....	28
Complete Unit Stoppage .....	29
Restart Procedure .....	29
Faults and Alerts .....	29
Control Module Communication .....	36
Communication Failures .....	36
Cooling Troubleshooting .....	37
Humidi-MiZer System Troubleshooting .....	38
Economizer Troubleshooting .....	40
Heating Troubleshooting .....	41
Phase Protection .....	44
Thermistor Troubleshooting .....	44
Sensor Trim .....	44
Transducer Troubleshooting .....	44


MAJOR SYSTEM COMPONENTS .....	49
General .....	49
Main Base Board (MBB) .....	55
Input-Output Board (IOB) .....	57
Integrated Gas Control (IGC) Board .....	58
Protective Devices .....	59
Space Mounted Sensors .....	59
Variable Frequency Drive (VFD) .....	61
LC 04-06 Variable Frequency Drive (ABB VFD) .....	61
LC 07-26 Variable Frequency Drive (Danfoss VFD) .....	65
Carrier Comfort Network <sup>®</sup> (CCN) Interface .....	74
APPENDIX A: SystemVu <sup>™</sup> Controller Display .....	76
APPENDIX B: SystemVu Controller Text Point Reference ...	97
APPENDIX C: Navigator <sup>™</sup> Display .....	98
APPENDIX D: SystemVu Controller CCN Tables .....	117
APPENDIX E: BACnet Points List .....	142
CONTROL SET POINT AND CONFIGURATION LOG ...	153
UNIT START-UP CHECKLIST .....	163

## SAFETY CONSIDERATIONS


Installation and servicing of air-conditioning equipment can be hazardous due to system pressure and electrical components. Only trained and qualified service personnel should install, repair, or service air-conditioning equipment. Untrained personnel can perform the basic maintenance functions of replacing filters. Trained service personnel should perform all other operations.

When working on air-conditioning equipment, observe precautions in the literature, tags and labels attached to the unit, and other safety precautions that may apply. Follow all safety codes. Wear safety glasses and work gloves. Use quenching cloth for unbrazing operations. Have fire extinguishers available for all brazing operations.

Follow all safety codes. Wear safety glasses and work gloves. Have fire extinguisher available. Read these instructions thoroughly and follow all warnings or cautions attached to the unit. Consult local building codes and National Electrical Code (NEC) for special requirements.

Recognize safety information. This is the safety-alert symbol . When you see this symbol on the unit and in instructions or manuals, be alert to the potential for personal injury.

Understand the signal words DANGER, WARNING, and CAUTION. These words are used with the safety-alert symbol. DANGER identifies the most serious hazards which **will** result in severe personal injury or death. WARNING signifies a hazard which **could** result in personal injury or death. CAUTION is used to identify unsafe practices which **may** result in minor personal injury or product and property damage. NOTE is used to highlight suggestions which **will** result in enhanced installation, reliability, or operation.



## WARNING

**ELECTRICAL SHOCK HAZARD**

Failure to follow this warning could cause personal injury or death.

Before performing service or maintenance operations on unit, turn off main power switch to unit and install lockout tag. Ensure electrical service to rooftop unit agrees with voltage and amperage listed on the unit rating plate.

## ⚠ CAUTION

### UNIT DAMAGE HAZARD

Failure to follow this caution may cause equipment damage.

This unit uses a microprocessor-based electronic control system. Do not use jumpers or other tools to short out components or to bypass or otherwise depart from recommended procedures. Any short-to-ground of the control board or accompanying wiring may destroy the electronic modules or electrical components.

## ⚠ WARNING

### FIRE, EXPLOSION HAZARD

Failure to follow this warning could result in personal injury, death and/or property damage.

Improper installation, adjustment, alteration, service, or maintenance can cause property damage, personal injury, or loss of life. Refer to the User's Information Manual provided with this unit for more details.

Do not store or use gasoline or other flammable vapors and liquids in the vicinity of this or any other appliance. **What to do if you smell gas:**

1. DO NOT try to light any appliance.
2. DO NOT touch any electrical switch, or use any phone in your building.
3. IMMEDIATELY call your gas supplier from a neighbor's phone. Follow the gas supplier's instructions.
4. If you cannot reach your gas supplier, call the fire department.

## GENERAL

This publication contains Start-Up, Controls, Operation, Service, and Troubleshooting information for the 48/50LC rooftop units equipped with the factory-installed optional SystemVu™ controls (version 2.X or higher) and use Puron® (R-410A) refrigerant. The specific base unit installation instructions, service manual and/or wiring label diagram may also be required in conjunction with this book as a guide to a specific unit on the roof. All units in Table 1 are Staged Air Volume (SAV™) units that allow for stand-alone or network operation.

Table 1 – Rooftop Units

MODEL	SIZE	NOMINAL TONS
48/50LC	04	3
	05	4
	06	5
	07	6
	08	7.5
	09	8.5
	12	10
	14	12.5
	17	15
	20	17.5
	24	20
26	23	

## Conventions Used in This Manual

The following conventions for discussing configuration points for the local display (SystemVu controller or Navigator™ accessory) will be used in this manual.

Menu paths will be written with the main menu name first, then any menus or sub menus, each separated by an arrow symbol (→)

and will also be shown in bold and italics. As an example, the General sub menu which is located in the Setting main menu under Unit Configuration menu would be written as *SETTINGS*→*UNIT CONFIGURATIONS*→*GENERAL*.

This path name will show the user how to navigate through the local display to reach the desired menu. The user scrolls through the Menus using the up and down keys. The arrow symbol in the path name represents pressing ENTER to move into the next level of the menu structure.

Point names are referenced in in parentheses and bold and italics as would be shown on the local display.

CCN point names are also referenced for users configuring the unit with CCN software instead of the local display. See Appendix A at the end of this manual.

## BASIC CONTROL USAGE

### SystemVu Control (factory-installed option)

The SystemVu control is a comprehensive unit-management system. The control system is easy to access, configure, diagnose and troubleshoot.

The SystemVu control system is fully communicating and cable-ready for connection to the Carrier Comfort Network® (CCN), Carrier i-Vu®, and Third Party BACnet\* building management systems. The control provides high-speed communications for remote monitoring via the Internet. Multiple units can be linked together (and to other Direct Digital Control (DDC) equipped units) using a 3-wire communication bus.

The SystemVu control system is easy to access through the use of an integrated display module. A computer is not required for start-up. Access to control menus is simplified by the ability to quickly select from 7 main menu items. An expanded readout provides detailed explanations of control information. Only six buttons are required to maneuver through the entire controls menu. The display readout is designed to be visible even in bright sunlight.

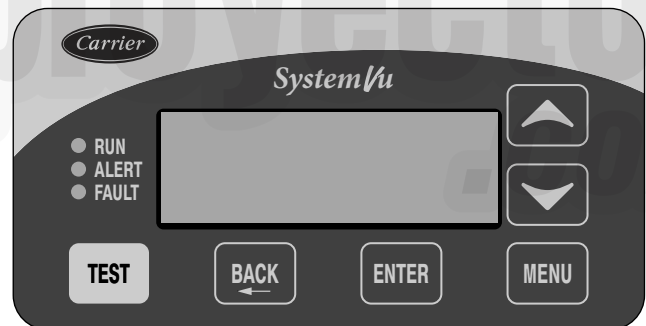


Fig. 1 - SystemVu Interface

C14319

## SystemVu Interface

This integrated device is the keypad interface used to access the control information, read sensor values, and test the unit. The interface is located in the main control box and is standard on all units. The interface is a 6-key, 4x30 character, LCD (liquid-crystal display) display module. The interface also contains Status LEDs. (See Fig. 1.) The interface is easy to operate using 6 buttons and the main menu structures shown in Fig. 2.

Through the SystemVu interface, the user can access all of the inputs and outputs to check on their values and status, configure operating parameters, and evaluate the current decision status for operating modes. The control also includes an alarm history which can be accessed from the display. The user can access a built-in test routine that can be used at start-up commissioning and troubleshooting.

\* BACnet is a registered trademark of ASHRAE (American Society of Heating, Refrigerating and Air-Conditioning Engineers).

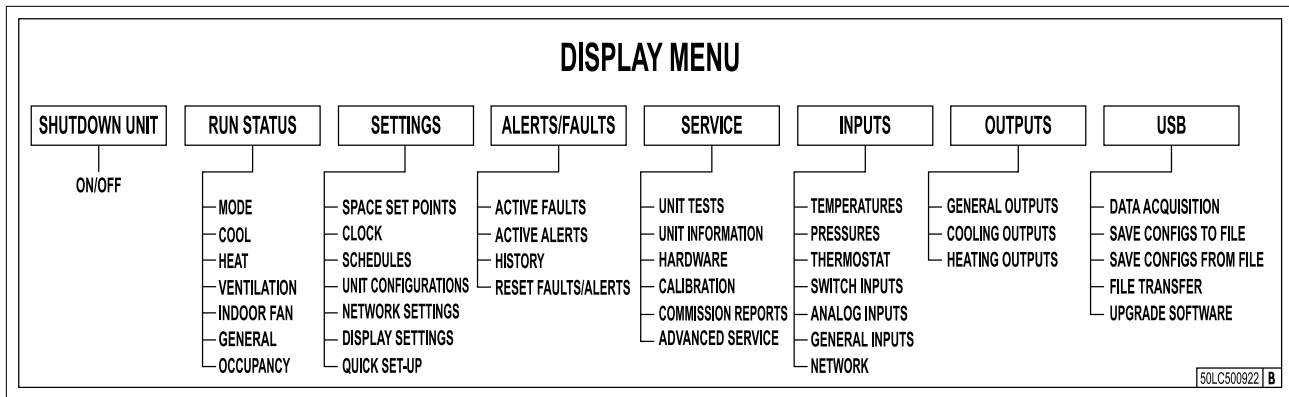


Fig. 2 - SystemVu™ - Main Menu Structures

a48-9373

### SystemVu Interface Operation

Units are shipped from the factory with the SystemVu interface FIOP, located in the main control box. (See Fig. 1.) In addition, the interface has up and down arrow keys, BACK, ENTER, MENU, and TEST keys. These keys are used to navigate through the different levels of the menu structure. All discussions and examples in this document will be based on the SystemVu display except in the Navigator™ display section. See the Accessory Navigator Display section starting on page 4 for further details and Table 2 for the Navigator menu structure and usage.

The six keys are used to navigate through the display structure, which is organized in a tiered menu structure. If the buttons have not been used for a period, the display will default to a standby screen intended to provide a quick overall look at the system. To show the top-level display, press any key first to turn the display backlight on, and then press the MENU key. Then use the up and down arrow keys to scroll through the top-level menus. These are shown in Fig. 2 and listed in Appendix A.

When a specific menu or sub-menu is located, push the ENTER key to enter the menu. Depending on the menu, there may be additional tiers. Continue to use the up and down keys and the ENTER key until the desired display item is found. At any time, the user can move back a menu level by pressing the BACK key. Once an item has been selected the display will flash showing the item, followed by the item value and then followed by the item units (if any). Pressing the TEST button at any time will jump the display to the test menu. Pressing the MENU button any time will jump the display to the main menu.

Items in the Configuration and Service Test menus are password protected. The display will prompt the enter password screen when required. Use the ENTER, BACK, and arrow keys to enter the four digits of the password. The default user password is 1111.

Pressing the BACK and ENTER keys simultaneously will show an expanded text description screen on the display indicating the full meaning of each display point. To put the screen in standby, hold down the BACK key for 5 seconds.

Some points can be forced from the SystemVu™ interface. To force a variable, follow the same process as editing a configuration parameter. A forced variable, regardless where the force has come from will be displayed with a lower case “f” following its value. For example, if *ECON CMD POSITION* is forced, the display shows “80%f”, where the “f” is to signify a force on the point. Remove the force by selecting the point that is forced with the key ENTER and then pressing the up and down arrow keys simultaneously. Pressing ENTER and BACK on a forced item will display the expanded description for that item including the force level that is currently applied. Depending on the type of unit (48LC or 50LC), factory-installed options and field-installed accessories, some of the items in the various menus may not apply.

### Accessory Navigator™ Display

The accessory hand-held Navigator display can be used with the 48/50LC units. (See Fig. 3.) The Navigator display is plugged into the LEN (local equipment network) port on either the SystemVu display or the Main Base Board (MBB).

### Navigator Display Operation

The Navigator display has up and down arrow keys, an ESCAPE key and an ENTER key. These keys are used to navigate through the different levels of the display structure.

The four keys are used to navigate through the display structure, which is organized in a tiered mode structure. If the buttons have not been used for a period, the display will default to the AUTO VIEW display category as shown under the RUN STATUS category. To show the top-level display, press the ESCAPE key until a blank display is shown. Then use the up and down arrow keys to scroll through the top-level categories. These are listed in Appendix C and will be indicated on the Navigator display by the LED next to each mode listed on the face of the display.

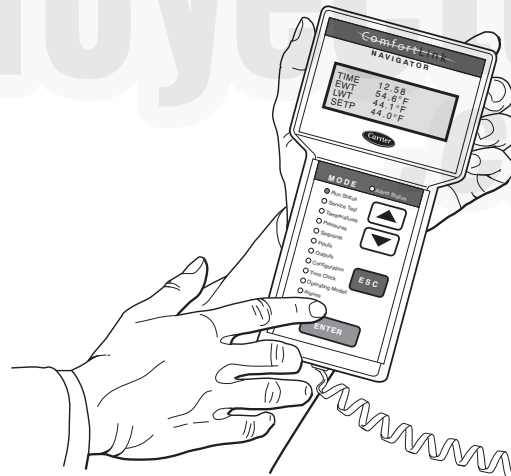


Fig. 3 - Accessory Navigator Display

C06321

When a specific mode or sub-mode is located, push the ENTER key to enter the mode. Depending on the mode, there may be additional tiers. Continue to use the up and down keys and the ENTER keys until the desired display item is found. At any time, the user can move back a mode level by pressing the ESCAPE key. Once an item has been selected the display will flash showing the item, followed by the item value and then followed by the item units (if any).

Items in the Configuration and Service Test modes are password protected. The display will flash PASS and WORD when required. Use the ENTER and arrow keys to enter the four digits of the password. The default password is 1111.

**Table 2 – Navigator Mode and Menu Display Structure**

RUN STATUS	SERVICE TEST	TEMPERATURES	PRESSURES	SET-POINTS	INPUTS	OUTPUTS	CONFIGURATION	TIMECLOCK	OPERATING MODES	ALARMS
Auto View of Run Status (VIEW) ↓	Service Test Mode (TEST) ↓			Temp Demand Config (T.DMD)	Thermostat Inputs (STAT) ↓	General Outputs (GEN) ↓	General Unit Config (GEN) ↓	Daylight Savings Config (DST) ↓	Demand Limit Status (DMD.S)	Curr Active Alarm (CURR) ↓
Cooling Status (COOL) ↓	Test Independent Outputs (INDP) ↓			Demand Limit Config (DMD.C)	Switch Inputs (SW) ↓	Cooling Outputs (COOL) ↓	DI Config (DIS) ↓	Schedules Adjust (SCHD) ↓		History (HIST) ↓
Heating Status (HEAT) ↓	Test Fans (FANS) ↓				Analog Inputs (AIS)	Heating Outputs (HEAT)	Analog Input Config (AIS) ↓	Holiday Adjustment (HLDY)		Reset All Current Alarms (R.CUR) ↓
Ventilation Status (VENT) ↓	Test Cooling (COOL) ↓				General Inputs (GEN) ↓		Cooling Configs (COOL) ↓			Alarm Reset History (R.HIS)
Indoor Fan Status (I.FAN) ↓	Test Heating (HEAT)				Network (NET) ↓		Outdoor Fans Config (ODF) ↓			
General Status (GEN) ↓					Hardware Inputs (HW) ↓		Heating Config (HEAT) ↓			
Occupancy Data (OCC) ↓					User Measured Data (DATA)		Indoor Fan Config (I.FAN) ↓			
Run Hours & Cycles (RUN) ↓							Economizer Config (ECON) ↓			
Assigned I/O Channels (A.IO) ↓							Air Quality Config (AIR.Q) ↓			
Versions (VERS)							Alarm Relay Config. (ALM.O) ↓			
							Calibration (CAL) ↓			
							Building Net Config (NET) ↓			
							User Display Config (DISP)			

Pressing the ESC and ENTER keys simultaneously will display an expanded text description across the display indicating the full meaning of each display point. Pressing the ESCAPE and ENTER keys when the display is blank (MODE LED level) will return the display to its default menu of rotating AUTO VIEW display items. In addition, the password will need to be entered again before changes can be made.

Changing item values or testing outputs is accomplished in the same manner. Locate and display the desired item. If the display is in rotating auto-view, press the ENTER key to stop the display at the desired item. Press the ENTER key again so that the item value flashes. Use the arrow keys to change the value of state of an item and press the ENTER key to accept it. Press the ESCAPE key and the item, value or units display will resume. Repeat the process as required for other items.

There are some points that can be forced from the Navigator display. If the user needs to force a variable, follow the same process as when editing a configuration parameter. A forced variable, regardless where the force has come from will be displayed with a blinking “f” on a Navigator display following its value. For example, if economizer commanded position (EC.CP) is forced, the Navigator™ display shows “80f”, where the “f” is blinking to signify a force on the point. Remove the force by selecting the point that is forced with the key ENTER and then pressing the up and down arrow keys simultaneously.

Depending on the type of unit (48LC or 50LC), factory-installed options and field-installed accessories, some of the items in the various Mode categories may not apply.

See Table 2 and Appendix C for full Navigator display menu layout.

### System Pilot™ and Touch Pilot™ Devices

The System Pilot device (33PILOT-01) and Touch Pilot device (33CNTPILOT) can be used as CCN communication user-interfaces. These devices can be put on the CCN bus and addressed to communicate with any other device on the network. Unlike the SystemVu™ display and Navigator display, these pilots read the unit’s CCN tables and its CCN points can be monitored, forced, or configured. The Pilot devices can be used to install and commission a 3V™ zoning system, linkage compatible air source, universal controller, and all other devices operating on the Carrier communicating network.

Additionally, the System Pilot device can serve as a wall-mounted temperature sensor for space temperature measurement. Occupants can use the System Pilot device to change set points. See Fig. 4 for System Pilot device details.

### CCN Tables and Display

In addition to the unit-mounted SystemVu™ display, the user can also access the same information through the CCN tables by using the service tool or other CCN programs/devices. The variable names used for the CCN tables and the SystemVu display menus may be different and more items may be displayed in the CCN tables. Details on the CCN tables are included in Appendix D.

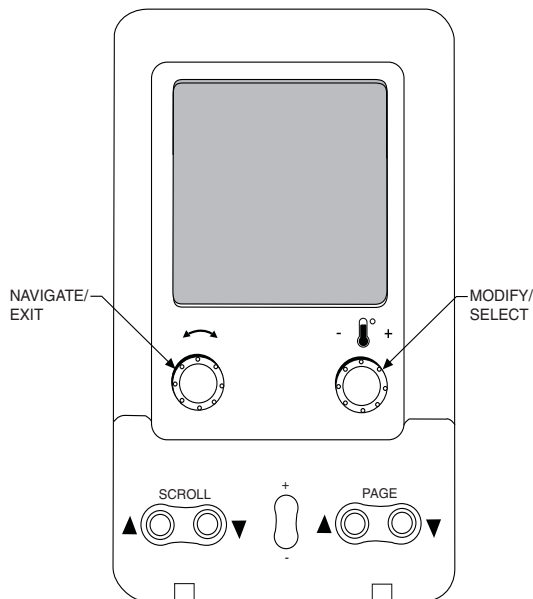


Fig. 4 - System Pilot™ User Interface

C06322

### Force Hierarchy

There is a hierarchy in SystemVu controls with regards to forcing a point. Programs and devices write a force at different priority levels. A higher level (smaller number, 1 being the highest) will override a lower level force. The SystemVu controller uses a Control Force at level 7. The Navigator™ device writes a Service Force which is level 3. System Pilot™ and Touch Pilot™ devices write Supervisor Forces at level 4. Network programs can be set to write different level priority forces.

**NOTE:** In the case of a control power reset, any force in effect at the time of power reset will be cleared.

**IMPORTANT:** All further discussions and examples in this document will be based on the SystemVu™ controller.

## START-UP

**IMPORTANT:** Do not attempt to start unit, even momentarily, until all items on the Start-Up Checklist (see page 163) and the following steps have been read/completed.

### Unit Preparation

Check that unit has been installed in accordance with these installation instructions and all applicable codes.

### Refrigerant Service Ports

The refrigerant system has a total of 3 Schrader-type service gauge ports per circuit. One port is located on the suction line, one on the compressor discharge line, and one on the liquid line. Be sure that caps on the ports are tight.

### Crankcase Heater

The compressor is equipped with a crankcase heater. There is a control function used to turn the crankcase heaters on and off when the compressor is not running. This is a configurable value for which the factory default value is set to 65°F. If the ambient is above the selected value the control will prevent the crankcase heater from turning on.

**IMPORTANT:** Unit power must be on for 24 hours prior to start-up to allow the crankcase heater to run. Otherwise, damage to the compressor may result.

## Compressor Rotation

### ⚠ CAUTION

#### UNIT DAMAGE HAZARD

Failure to follow this caution may result in unit damage.  
Improper wiring will cause compressor stoppage and alarm.  
Correct wiring by switching leads as indicated below.

On 3-phase units, it is important to be certain the compressors are rotating in the proper direction. To determine whether or not compressors are rotating in the proper direction, use a phase-rotation meter on the unit input power to check for L1-L2-L3 or clockwise rotation or use the Service Test mode to energize a compressor. If the compressor is rotating in the wrong direction, the controls will stop the compressor and display alarm for “Circuit A Reverse Rotation”.

**NOTE:** Indoor or outdoor fan rotation direction may not indicate proper input power phase sequence, as some 3-phase units use single-phase fan motors.

To correct the wrong compressor rotation direction, perform the following procedure:

1. Turn off power to the unit and lock out the power.
2. Switch any two of the incoming unit power leads.
3. Turn on power to the unit.
4. Verify corrected compressor rotation.

### Power Supply

All 208/230-v units are factory wired for 230-v power supply. If the 208/230-v unit is to be connected to a 208-v power supply, the transformers must be rewired by moving the wire from the 230-volt connection and moving to the 200-volt terminal on the primary side of the transformer. Refer to unit label diagram for additional information.

### Internal Wiring

Check all electrical connections in unit control boxes; tighten as required.

### Evaporator Fan

The evaporator fan should be checked and may need to be adjusted for specific applications. The unit will have a belt drive motor powered by a Variable Frequency Drive (VFD). Refer to the unit product data for Fan Performance tables and physical data.

The fan belt and variable pulleys are factory installed and set, but may need to be adjusted for specific applications. Check the fan to ensure its rotation is in the proper direction before adjusting performance. To alter fan performance, first adjust the pulley settings to provide the application’s full load design air flow when running at the IDF Maximum Fan Speed (*MAXIMUM IDF SPEED*). The unit operating speeds can then be adjusted with Free Cooling IDF Speed (*FREE COOL IDF SPEED*), High Cooling IDF Speed (*HIGH COOL IDF SPEED*), Medium Cooling IDF Speed (*MED COOL IDF SPEED*), Low Cooling IDF Speed (*LOW COOL IDF SPEED*), Heating IDF Speed (*HEATING IDF SPEED*), and Ventilation Only IDF Speed (*VENT IDF SPEED*). Set the indoor fan pulley to the greater application design point CFM for heating or cooling and equal to 100% fan speed. Adjust the Heating Fan Speed and High Cooling Fan Speed so that the CFM is not lower than the minimum CFM allowed in the product data. If the exact CFM cannot be set by the half turn pulley settings then adjust the IDF Maximum Fan Speed (*MAXIMUM IDF SPEED*) to fine tune the CFM to the application requirements. The VFD’s settings should not be used for adjusting fan performance. Specific VFD information can be found in the major components section.

**IMPORTANT:** The IDF Maximum Fan Speed (*MAXIMUM IDF SPEED*) RPM must not produce a supply CFM that is lower than the minimum CFM allowed in the product data for heating and cooling.

### Condenser Fans and Motors

Condenser fans and motors are factory set.

### Return-Air Filters

Check that correct filters are installed in filter tracks (see Physical Data table in unit Product Data). Do not operate unit without

return-air filters. Determine the filter change run time (*DIRTY FILTER TIME*) to be set in the quick setup configurations menu.

### Outdoor-Air Inlet Screens

Outdoor-air inlet screens must be in place before operating unit.

### Accessory Installation

Check to make sure that all accessories including space thermostats and sensors have been installed and wired as required by the instructions and unit wiring diagrams.

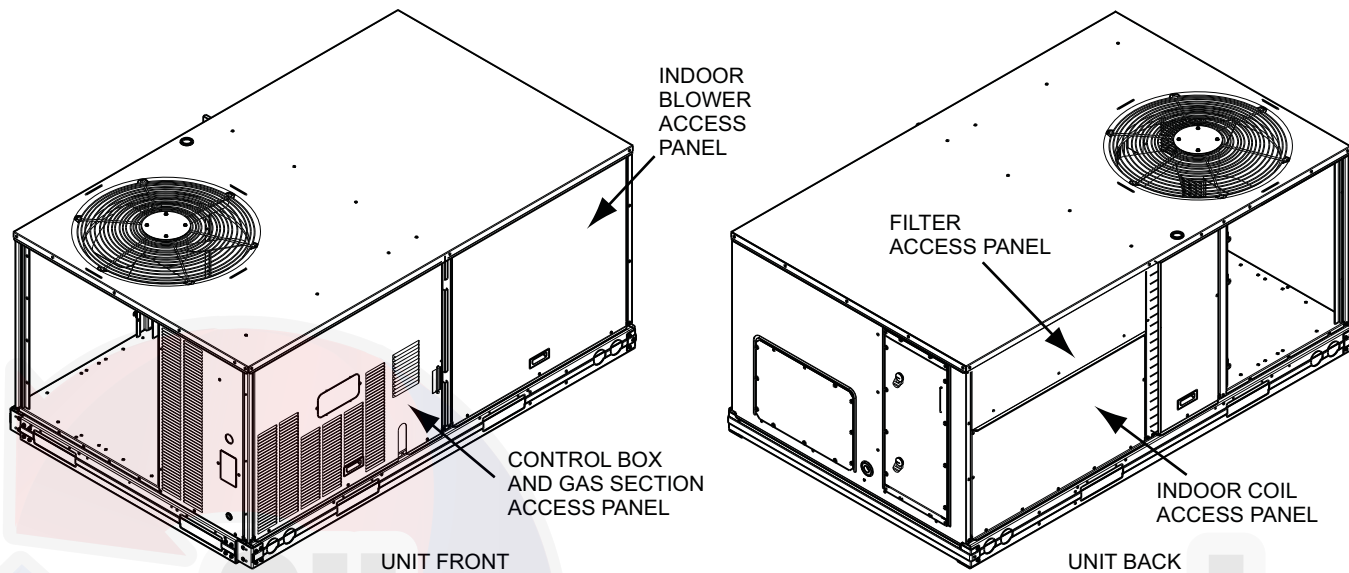


Fig. 5 - 48/50LC Size 04-06 Units, Panel and Filter Locations (48LC\*04 Unit Shown)

a48-9937

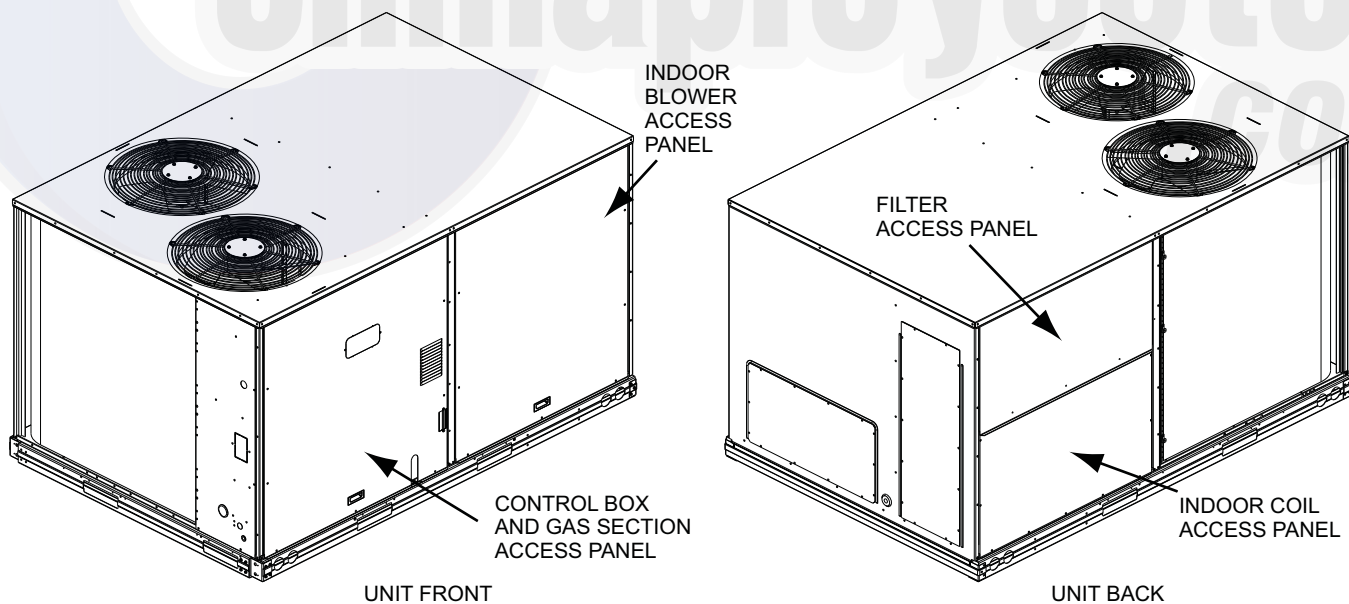


Fig. 6 - 48/50LC Size 07 Units, Panel and Filter Locations (48LC\*07 Unit Shown)

C14321

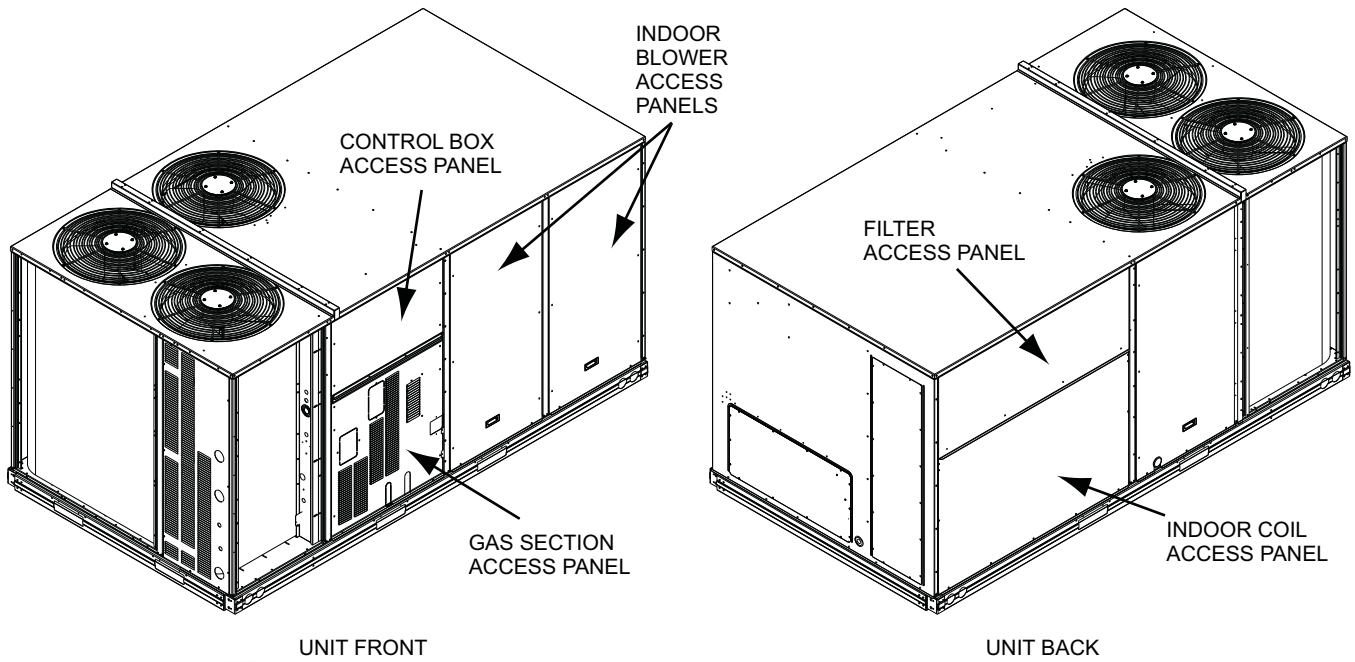


Fig. 7 - 48/50LC Size 08-12 Units, Panel and Filter Locations (48LC\*09 Unit Shown)

C14322

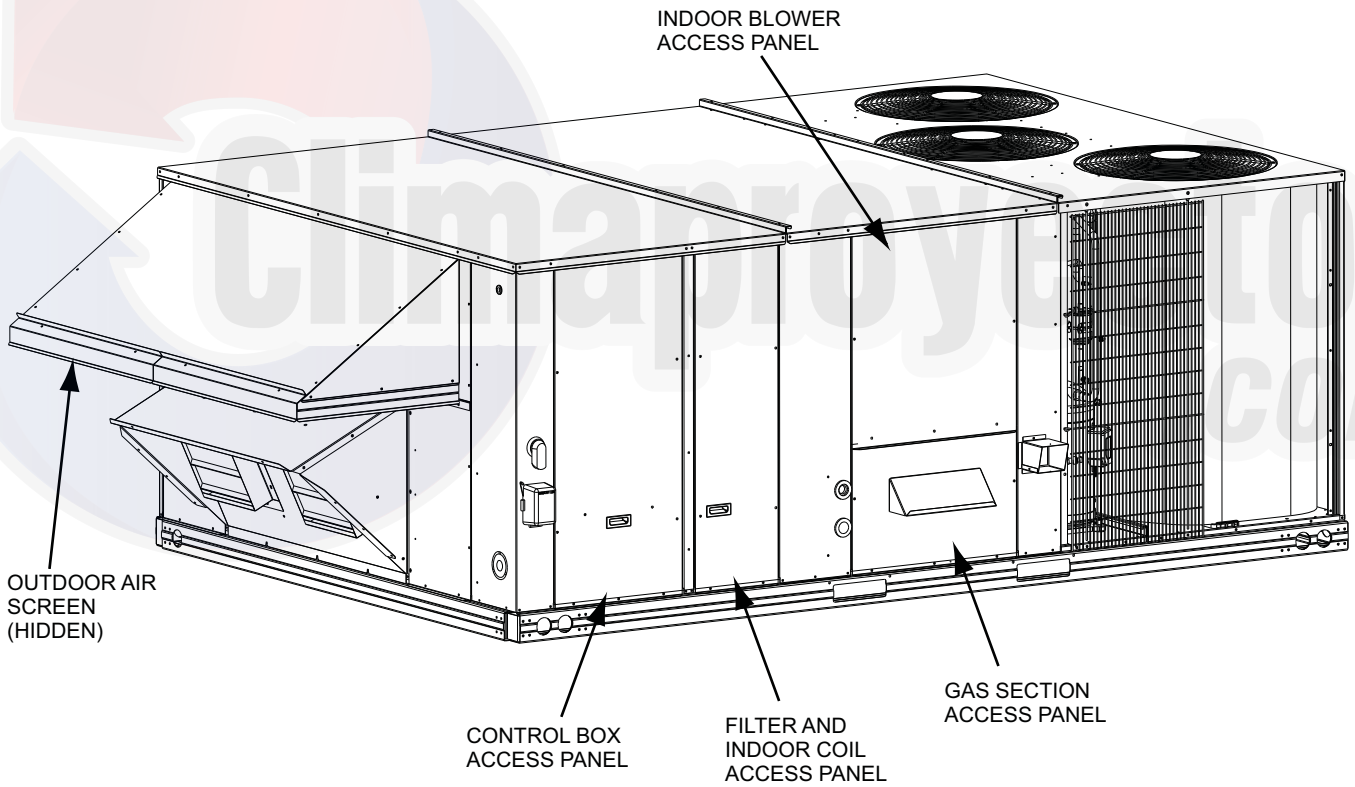


Fig. 8 - 48/50LC Size 14-26 Units, Panel and Filter Locations (48LC\*14 Unit Shown)

C11475

### Gas Heat (48LC)

Inspect the gas heat section of the unit. Verify the number of burners match the number of heat exchanger openings and the burner assembly is properly aligned. If the orifices were changed out for elevation or Liquid Propane purposes, verify proper installation. Visually inspect other components in heat section.

Verify gas pressures before turning on heat as follows:

1. Close the field-supplied manual gas shut off valve, located external to the unit.
2. Connect a pressure gauge to the supply gas pressure tap, located on the field-supplied manual gas shut off valve (see Fig. 9).



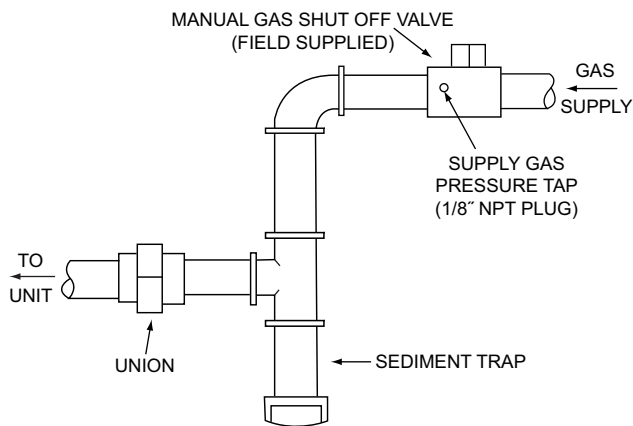


Fig. 9 - Field Gas Piping

a48-9382

3. Connect a pressure gauge to the manifold pressure tap on the burner assembly located inside the unit.
4. Open the field-supplied manual gas shut off valve. Enter Service Test mode by setting **TEST MODE** to "ON" using the SystemVu™ controller interface. Use the Service Test feature to set **HEAT 1 TEST** to ON (first stage of heat) using the SystemVu controller interface.
5. After the unit has run for several minutes, verify the supply gas pressure is adequate per the base unit installation instructions. If not, adjust accordingly.  
**NOTE:** Supply gas pressure must not exceed 13.0-in. wg.
6. Set **HEAT 1 TEST** to OFF using the SystemVu controller interface.
7. Exit Service Test mode by setting **TEST MODE** to "OFF" using the SystemVu controller interface.

## CONTROLS QUICK SET-UP

The following information will provide a quick guide to setting up and configuring the 48/50LC series units with SystemVu controls. Unit controls are pre-configured at the factory for factory-installed options. Field-installed accessories will require configuration at start-up. Initial System Startup is recommended for initial start-up. Additionally, specific job requirements may require changes to default configuration values. See Appendix A and other sections of these instructions for more details. Refer to the Major System Components or accessory installation instructions for specific wiring detail.

### Control Set Point and Configuration Log

During start up, accessory installation, and equipment service set points and/or configuration changes might have to be made. When setting set points or configuration settings, documentation is recommend. The Control Set Point and Configuration Log starting on page 153 should be filled out and left with the unit at all times, a copy should also be provided to the equipment owner. A USB jump drive can be used to back up the unit's configurations. Refer to the USB Operation section for details.

### Initial Startup

Initial Startup refers to the first time this particular unit has a startup performed. The SystemVu controller will continually display the Initial Startup prompt until it is completed. To complete the initial startup you must complete the Quick Setup, Network Setup, and the System Auto Test.

### Quick Setup

This a list of common adjusted configurations set during startup. These are common accessories, and control means. Set the list in Table 3. After setting these per the specific unit set the QUICK SET CHKLIST point to done.

Table 3 – Quick Setup Menu Items

SystemVu™ Display	Expanded Name	Range	Default
QUICK SETUP CONFIG	QUICK SETUP CONFIG MENU		
TIME	Clock Hour and Minute	HH:MM	
DATE	Current Date	MM/DD/YYYY	
STARTUP DELAY	Unit Startup Delay	10 to 600	30
UNIT CONTROL TYPE	Unit Control Type	0=TSTAT, 1=SPACE SEN, 2=RAT SEN	0
THERMOSTAT TYPE	Thermostat Hardware Type	0=CONV 2C2H, 1=DIGI 2C2H, 2=CONV 3C2H, 3=DIGI 3C2H	2
DIRTY FILTER TIME	Change Filter Timer	0 to 9999	600
VENT IDF SPEED	Ventilation Only IDF Speed	0 to 100	67*
HEATING STAG QTY	Number of Heating Stages	1 to 2	2*
ECON INSTALLED?	Economizer Installed?	No/Yes	No*
FREECOOL MAX OAT	Free Cooling Max OAT	0 to 90	65
FIRE SHUTDOWN SW	Fire Shutdown Switch	0=No Switch, 1=N/Open 2=N/Close	0*
QUICK SET CHKLIST	QUICK SETUP CHECKLIST	0=Undone, 1=View, 2=Done	0

\* These defaults change based on the Unit model number.

### Network Setup

This is a shortcut to the Network Settings submenu. In this sub menu are the specific network settings required to get the network piece up and running. After setting these per the specific unit set the **NETWORK CHKLIST** point to done.

### System Auto Test

Turning this to Start will run enable test mode and execute the System Auto Test. After the auto test has completed, set this to done.

### Thermostat Control

Wire accessory thermostat to the corresponding R, Y1, Y2, Y3, W1, W2, and G terminals on the Main Base board.

The Unit Control Type configuration, (**UNIT CONTROL TYPE**) default value is for thermostat (0) so there is no need to configure this item.

The Thermostat Hardware Type, (**THERMOSTAT TYPE**) selects the unit response to the thermostat inputs above.

**NOTE:** May not be compatible with heat anticipator thermostats.

### Space Temperature Sensor Control - Direct Wired (T-55 or T-56 or T-59)

Wire accessory space temperature sensor(s) to the T-55 terminals on the field connection terminal board located at the unit control box. Refer to Space Mounted Sensors section (page 59) for additional information.

The Unit Control Type configuration, (**UNIT CONTROL TYPE**) must be set to Space Sensor (1).

### Space Humidistat Control

For units with the factory-installed Humidi-MiZer® system option, the humidistat input is provided with quick connects. The Space Humidity Switch configuration, **SETTINGS** → **UNIT CONFIGURATIONS** → **SWITCH INPUTS CONFGS** → **HUMSTAT CHANNEL** identifies the normally open or normally closed status of this input at HIGH humidity.

### Relative Humidity Sensor Control

For units with the factory-installed Humidi-MiZer system option, the humidity sensor input is provided with quick connects. The sensor can be used instead of a humidistat. The RH Sensor configuration, **SETTINGS** → **UNIT CONFIGURATIONS** → **ANALOG INPUTS CONFGS** → **SPRH SENSOR CHANNEL**, identifies the point on the MBB (Main Base board) or the IOB (Input Output board) the sensor was wired into.

## CCN Communication

First configure the building protocol *SETTINGS* → *NETWORK SETTINGS* → *BAS PROTOCOL* to CCN (default is 0 = NONE). Configure the following under the CCN menu (*SETTINGS* → *NETWORK SETTINGS* → *CCN*).

*CCN ELEMENT #* - Default is 1

*BUS NUMBER* - Default is 0

*CCN BAUDRATE* - Default is 2 = 38400

## CCN Linkage Control

The CCN communication must be properly configured for the 48/50LC units and all other devices. Linkage configuration is automatically done by the supervisory CCN Linkage device.

The unit control type configuration, (*UNIT CONTROL TYPE*) must be set to space sensor (1).

Installation of an accessory supply air temperature (SAT) sensor in the supply duct is recommended for Linkage applications. A SAT measurement is valid for heating mode display, while the factory-standard internal SAT is not valid for heating due to its location upstream of the heating section. When installing the supply duct SAT, the heating mode display is enabled by setting the SAT heat mode sensing configuration (*SAT DURING HEAT?*) to Enable.

## System Pilot™ - Communication Space Sensor

Install the System Pilot device and connect the CCN communication bus from it to the unit's CCN connection on TB4 - BAS connector of the Main Base Board (MBB). Configure the unit's CCN communication element number, bus number, and baud rate. Refer to the System Pilot's installation instructions for configuring it to be used as a space temperature and attaching it to a unit.

## Accessories

Below are quick configuration settings for field-installed accessories. When factory-installed as options the points will already be configured. See the Space Mounted Sensors section (page 59), third party control, control connection tables, and CCN or Display parameter tables for any accessories not mentioned below and refer to installation manual of the accessory.

### Economizer

When an economizer is field-installed, the unit must be configured for it by setting *SETTINGS*→*UNIT CONFIGURATIONS* → *ECONOMIZER* → *ECON INSTALLED?* to YES. The default settings for the other economizer configurations should be satisfactory. If they need to be changed, additional information about these configuration settings can be found in the Economizer section.

### Power Exhaust

When power exhaust is field-installed, the unit must be configured for it by setting *SETTINGS*→*UNIT CONFIGURATIONS*→*ECONOMIZER* → *POWER EXHAUST CONFIGS* → *PE1 RELAY CHANNEL* to the channel the accessory was wired into. The default settings for the other power exhaust configurations should be satisfactory. If they need to be changed, additional information about these configurations can be found in the Power Exhaust section.

### Electric Heat

When electric heat is field-installed, the number of electric heat stages must be configured by setting *SETTINGS* → *UNIT CONFIGURATIONS* → *HEATING* → *HEATING STAGE QTY* per the installed heater.

### Fire Shutdown

When Fire Shutdown or Smoke Detector sensors are field-installed, the unit must be configured for it by setting *SETTINGS* → *UNIT CONFIGURATIONS* → *SWITCH INPUTS CONFIGS* → *FIRE SHUTDOWN SW* to normally open (0) or normally closed (1).

## Outdoor Enthalpy

When an Outdoor Enthalpy sensor is field-installed, the unit must be configured for it by setting *SETTINGS* → *UNIT CONFIGURATIONS* → *ANALOG INPUTS CONFIGS* → *OARH SENSOR CHAN* to the channel number the sensor was wired into.

## IAQ Sensor

When a CO<sub>2</sub> sensor is field-installed, the unit must be configured for it by setting *SETTINGS* → *UNIT CONFIGURATIONS* → *ANALOG INPUT CONFIGS* → *IAQ SENSOR CHAN* selects the unit response to this input. Default conversion to 0 to 2000 ppm.

## OAQ Sensor

When an Outdoor Air Quality sensor is field-installed, the unit must be configured for it by setting *SETTINGS* → *UNIT CONFIGURATIONS* → *ANALOG INPUT CONFIGS* → *OAQ SENSOR CHAN*. Default conversion to 0 to 2000 ppm.

## Filter Status

When a Filter Status sensor is field-installed, the unit must be configured for it by setting *SETTINGS*→*UNIT CONFIGURATIONS*→*SWITCH INPUT CONFIGS*→*FILTER SW CHANNEL* to normally open (0) or normally closed (1).

## Programming Operating Schedules

When the building automation system you have the SystemVu™ controller configured for (*BAS Protocol Select*) is None (0) or CCN (1) the SystemVu controller can follow a standard CCN occupancy table. The occupancy can be modified from any CCN tool or from the local display.

**OCCUPANCY SCHEDULE** — For flexibility of scheduling, the occupancy programming is broken into eight separate periods. For each period the schedule contains the following fields: **Day of Week, Occupied From, and Occupied To.**

**DAY OF WEEK** — The day of week configuration consists of eight fields corresponding to the seven days of the week and a holiday field in the following order: Monday, Tuesday, Wednesday, Thursday, Friday, Saturday, Sunday, and Holiday. If a 1 is configured in the corresponding place for a certain day of the week, the related "Occupied from" and "Occupied to" times for that period will take effect on that day of the week. If a 1 is placed in the holiday field, the related times will take effect on a day configured as a holiday. A zero means the schedule period will not apply to that day.

Day of week: Range 0 or 1

Default Values 0 for all of the periods.

**OCCUPIED FROM** — This field is used to configure the hour and minute, in 24 hour clock, that the mode for the controller will switch to occupied.

Occupied From: Units Hours:Minutes

Range 00:00 to 24:00

(Minutes 00 to 59)

Default Value 00:00

**OCCUPIED TO** — This field is used to configure the hour and minute, in 24 hour clock, that the mode for the controller switches from occupied to unoccupied.

Occupied To: Units Hours:Minutes

Range 00:00 to 24:00

(Minutes 00 to 59)

Default Value 00:00

When the building automation system configured to (*BAS PROTOCOL*) is BACnet, the occupancy and holiday information will be reset to defaults in preparation for receiving a BACnet occupancy object. While participating on a BACnet network these configurations cannot be changed at the local interface or with CCN tools. All scheduling is done from the BACnet interface designated to provide schedules.

## SERVICE TEST

The Service Test function can be used to verify proper operation of compressors, heating stages, indoor fan, outdoor fans, Humidi-MiZer<sup>®</sup> system operation, power exhaust fans, economizer, crankcase heaters, and the alarm relay. Use of Service Test is recommended at initial system start up and during troubleshooting. (See Table 4 for point details)

Service Test mode has the following changes from normal operation:

- Outdoor air temperature limits for cooling circuits, economizer, and heating are ignored.
- Normal compressor time guards and other staging delays are reduced to one minute or less.
- Circuit strike out time is reduced to 1 minute instead of 15 minutes.
- It may take up to 30 seconds to actually enter test mode after activating the command.

Press the TEST button on the SystemVu™ interface anytime to access the Test menu. Service Test mode can only be turned ON/OFF at the unit display. Once turned ON, other entries may be made with the display or through CCN. To turn Service Test mode on, change the value of **TEST MODE** to ON. To turn service test mode off, change the value of **TEST MODE** to OFF. Service Test mode will be automatically turned off based on keypad inactivity and the Service Mode Test Time out (**TEST MODE TIMEOUT**).

**NOTE:** Service Test mode may be password protected. Refer to Basic Control Usage section for more information. Depending on the unit model, factory-installed options, and field-installed accessories, some of the Service Test functions may not apply.

### Independent Outputs

The **INDEPENDENTS** submenu is used to change output status for the economizer, Humidi-MiZer system valves, power exhaust stages, crankcase heaters, the alarm relay, as well as perform a compressor bump test. These independent outputs can operate simultaneously with other Service Test modes. All outputs return to normal operation when Service Test is turned off. The compressor bump tests cannot be run while running cooling tests and will automatically turn off after one minute.

### Fan Test

The **FAN TESTS** submenu is used to change speed for the indoor fan and outdoor fans. The outdoor fan speeds can be controlled individual or all together with the **ALL ODF SPD TEST**. The outdoor fan and indoor fan transition type points inform the test routine how to handle the fans while running the cooling or heating tests. Automatic will automatically transition the fans as the cooling or heating tests change. While the Manual transition will only run the fans as set by the test points.

### Cooling Test

The **COOL** submenu is used to change output status for the individual compressors and Humidi-MiZer system operation. The **HEAT** submenu service test outputs are reset to OFF for the cooling service test. Indoor fans and outdoor fans are controlled normally to maintain proper unit operation when set for automatic transition. The **IDF SPEED TEST** and **ALL ODFSPD TEST** can be changed as needed for testing. These fans points show the requested speed not actual speed. All normal cooling faults and alerts are functional.

## Heating Test

The **HEAT** submenu is used to change output status for the individual heat stages, gas or electric. The **COOL** service test outputs are reset to OFF for the heating service test. Indoor fan is controlled normally to maintain proper unit operation when set for automatic transition. The **IDF SPEED TEST** can be changed as needed for testing and shows the requested speed not actual speed. All normal heating faults and alerts are functional.

**NOTE:** When the IGC fan on command (**IGC FAN REQUEST**) is active the fan may run when not expected.

**Table 4 – Test Mode Unit Test Directory**

Display Menu/Sub Menu/Name	Expanded Name	Values
<b>UNIT TESTS</b>	Unit Tests Menu	
<b>TEST MODE</b>	Service Test Mode Enable	Off/On
<b>SERVICE TEST</b>	Service Test Menu	
<b>INDEPENDENTS</b>	INDEPENDENT TEST MENU	
ECON POS TEST	Economizer Position Test	0 to 100
BUMP COMP A1 TEST	Compressor Bump A1 Test	Off/On
BUMP COMP A2 TEST	Compressor Bump A2 Test	Off/On
LIQ DIVERT A TEST	Liquid Divert A Test	Off/On
REHEAT A TEST	Reheat A Test	Off/On
CCH RELAY 1 TEST	Crankcase Heater 1 test	Off/On
ALARM RELAY TEST	Alarm Output Relay Test	Off/On
PE1 RELAY TEST	Power Exhaust 1 Test	Off/On
PE2 RELAY TEST	Power Exhaust 2 Test	Off/On
<b>FAN TESTS</b>	Indoor and Outdoor Fan tests	
IDF SPEED TEST	Indoor Fan Speed Test	0 to 100
ALL ODF SPD TEST	System ODF speed test	0 to 2000
ODF 1 SPEED TEST	Outdoor Fan 1 speed test	0 to 2000
ODF 2 SPEED TEST	Outdoor Fan 2 speed test	0 to 2000
ODF 3 SPEED TEST	Outdoor Fan 3 speed test	0 to 2000
IDF TRANSITION	IDF Test Transition Type	Automatic/ Manual
ODF TRANSITION	ODF Test Transition Type	Automatic/ Manual
<b>COOL</b>	Cooling Status Menu	
COOL A1 TEST	Cooling W/Comp.A1 Test	Off/On
COOL A2 TEST	Cooling W/Comp.A2 Test	Off/On
IDF SPEED TEST	Indoor Fan Speed Test	0 to 100
ALL ODF SPD TEST	System ODF speed test	0 to 2000
HUMIDIMIZER TEST	Humidi-MiZer <sup>®</sup> system test	0 = off 1 = Subcool 2 = Reheat
<b>HEAT</b>	Heating Status Menu	
HEAT 1 TEST	Heating Stage 1 Test	Off/On
HEAT 2 TEST	Heating Stage 2 Test	Off/On
IDF SPEED TEST	Indoor Fan Speed Test	0 to 100
<b>AUTOMATIC TEST</b>	Automatic Test Menu	
AUTO INDP TEST	AUTO INDEPENDENT TEST	Yes/No
AUTO COOL TEST	RUN AUTO COOLING TEST	Yes/No
AUTO HEAT TEST	RUN AUTO HEATING TEST	Yes/No
AUTO SYSTEM TEST	RUN AUTO SYSTEM TEST	Yes/No

## Automatic Test

The **AUTOMATIC TEST** submenu is used to execute all the applicable tests to the system automatically. These include independent component, cooling, heating, and a system one. Table 5 shows the steps taken during the independent, cooling, and heating automatic tests. The Hold time represents the time at which that control waits before moving on to the next step.

The AUTO SYSTEM TEST will execute the independent auto test, then the cooling auto test, then the heating auto test. At the end of the system auto test a prompt will ask if you want to enter measured data and complete a service report.

**Table 5 – Independent, Cooling, and Heating Automatic Tests**  
**AUTO INDP TEST**

Step	Action	Hold (Sec)
1	Turn on Crankcase Heater Relay	0
2	Set ODF1 to the High Cool Speed	30
3	Set ODF1 to the Minimum Speed	30
4	Turn ODF1 off	5
5	Set ODF2 to the High Cool Speed	30
6	Set ODF2 to the Minimum Speed	30
7	Turn OD21 off	5
8	Set ODF3 to the High Cool Speed	30
9	Set ODF3 to the Minimum Speed	30
10	Turn ODF3 off	5
11	Set IDF speed to 100%	30
12	Set Economizer Damper to 100%	60
13	Turn on power exhaust 1	10
14	Turn on power exhaust 2	10
15	Set Economizer Damper to 0%	60
16	Turn off power exhaust 2	10
17	Turn off power exhaust 1	10
18	Set IDF to the ventilation speed	30
19	Turn on alarm relay	10
20	Turn off alarm relay	10
21	Set IDF to 0% speed	30
22	Turn off Crankcase Heater relay	0

### AUTO COOL TEST

Step	Action	Hold (Sec)
1	Set ODF auto transition	0
2	Set IDF auto transition	0
3	Turn on Cool A1 test	60
4	Turn off Cool A1 test	30
5	Turn on Cool A2 test	60
6	Turn on Cool A1 and Cool A2 tests	30
7	Turn off Cool A1 and Cool A2 tests	60

### AUTO HEAT TEST

Step	Action	Hold (Sec)
1	Set IDF auto transition	0
2	Turn on Heat 1 test	60
3	Turn on Heat 2 test	60
4	Turn off Heat 1 and Heat 2 tests	20

## THIRD PARTY CONTROL

Third party controls may interface with the unit SystemVu™ controller through the connections described below. See other sections of these instructions for more information on the related unit control and configurations.

### Cooling/Heating Control

The thermostat inputs are provided on TB1 of the board. The Unit Control Type configuration, **UNIT CONTROL TYPE**,

must be 0 (Tstat) to recognize the below inputs. Terminal R is the 24-VAC source for the following:

- Y1 = first stage cooling
- Y2 = second stage cooling
- Y3 = third stage cooling
- W1 = first stage heating
- W2 = second stage heating
- G = Indoor fan

## Dehumidification Control

On Humidi-MiZer® system units the HUMIDISTAT and SPRH leads are provided with quick connects. The Space Humidity Switch configuration, **SETTINGS→UNIT CONFIGURATIONS →SWITCH INPUTS CONFIGS→HUMSTAT CHANNEL** identifies the normally open or normally closed status of this input at HIGH humidity. The RH Sensor configuration, **SETTINGS→UNIT CONFIGURATIONS→ANALOG INPUTS CONFIGS →SPRH SENSOR CHANNEL**, identifies the point on the MBB (Main Base board) or the IOB (Input Output board) the sensor was wired into.

## Remote Occupancy

The remote occupancy input can be provided on one of the configurable inputs, most commonly TB3. The Remote Occupancy Switch configuration, **REMOTE OCC TYPE**, identifies the normally open or normally closed status of this input when unoccupied. The Remote Occupancy Channel configuration, **REMOTE OCC CHAN**, identifies the discrete input (DI) assigned for this function.

## Remote Shutdown

The remote shutdown input is provided for unit shutdown in response to switch input configured most commonly on TB3. The Remote Shutdown Switch configuration, **REM. SHUTDOWN TYPE**, identifies the normally open or normally closed status of this input when there is no shutdown command. The Remote Shutdown Channel configuration, **REM. SHUTDOWN CHAN**, identifies the discrete input (DI) assigned for this function.

## Alarm Output

The alarm output is provided on as a configurable relay, most commonly on TB2, to indicate when a current alarm is active. The output will be 24-VAC if a current alarm exists. The Alarm Relay Channel configuration, **ALM RELY CHANNEL**, identifies the discrete output (DO) assigned for this function.

## Economizer Damper Control

For units with the economizer option or accessory, the damper position can be directly controlled through the IAQ sensor input. The IAQ Analog Input configuration, **IAQ LEVEL CONTROL** will have to set to 2 (CTL MINP). When IA.CF = 2, an external 4 to 20 mA source is used to move the damper 0% to 100% directly.

## CONTROLS OPERATION

### Display Configuration

The **SETTINGS→DISPLAY SETTINGS** submenu is used to configure the local display settings.

#### METRIC DISPLAY

This variable is used to change the display from English units to Metric units.

#### LANGUAGE

This variable is used to change the language of the SystemVu display. At this time, only English is available.

#### CONTRAST ADJUST

This is used to adjust the contrast of the SystemVu display.

### **PASSWORD ENABLE?**

This variable enables or disables the use of a user password. The password is used to restrict use of the control to change configurations.

### **VIEW USER PASSWORD**

This menu allows the user to view the user password. The password must be entered or disabled to view it.

### **CHANGE USER PASSWORD**

This menu allows the user to change the user password. The password must be entered or disabled to change it.

## **Unit Configuration**

Many configurations that indicate what factory options and/or field accessories are installed and other common operation variables are included in **SETTINGS→UNIT CONFIGURATION** submenu. Some of these configurations will be set in the factory for the factory-installed options (FIOPs). Field installed accessories and custom control functions will require configuration changes. The **SETTINGS→UNIT CONFIGURATION→GENERAL** submenu contains the following control configurations. Refer to other specific sections for other configurations.

### **STARTUP DELAY**

This configuration sets the control start-up delay after the power is interrupted. This can be used to stagger the start-up of multiple units.

### **UNIT CONTROL TYPE**

This configuration defines if temperature control is based on thermostat inputs or space temperature sensor input. TSTAT value is when then unit determines cooling and heating demand by the state of G, Y1, Y2, W1, and W2 inputs from a space thermostat. This value is the factory default. SPACE SEN value is when the unit determines cooling and heating demand based on the space temperature and the appropriate set point. RAT SEN value is when the unit determines cooling and heating demand based on the return air temperature and the appropriate set point. SPACE SEN or RAT SEN are also used as Linkage configuration.

### **THERMOSTAT TYPE**

This configuration applies only if Unit Control Type is Thermostat. The value determines how the inputs are interpreted. See the specific operation sections for more information. The following descriptions define what each value means.

0 = CONV 2C2H – Conventional Thermostat 2 stage cool and 2 stage heat.

1 = DIGI 2C2H – Digital Thermostat 2 stage cool and 2 stage heat.

2 = CONV 3C2H – Conventional Thermostat 3 stage cool and 2 stage heat. This is the default setting.

3 = DIGI 3C2H – Digital Thermostat 3 stage cool and 2 stage heat.

### **ADAPTIVE TSTAT**

This configuration applies only if the Unit control type is Thermostat. When this is YES the control will use Adaptive Control for cooling and heating staging. When this is set to NO the control will use the Traditional Thermostat Control, however during integrated cooling Adaptive is always used.

### **DIRTY FILTER TIME**

This configuration defines the life of the installed filter. A timer will count down from this number while the indoor fan is running. At the expiration of this timer, an alert will be activated to indicate a filter change is required.

### **TEST MODE TIMEOUT**

This configuration defines the time at which a test mode test has not changed state will automatically disable test mode. This configuration will disable the timeout when set to 0 (Disabled).

### **CCH MAX TEMP**

This configuration defines the temperature threshold for which the crankcase heater is no longer required to heat the compressor shell.

### **STD BARO PRESSURE**

This configuration is used to specify the job location's standard barometer pressure reading. This will feed the BAROMETRIC PRESS when a network is not writing to it. This should be used to account for job site elevation if enthalpy calculations are being used.

### **LINK STAGEUP TIME**

This configuration sets the cooling and heating stage up time during linkage operation.

## **Configurable Switches and Analog sensors**

The SystemVu™ controller has optional configurable inputs. These consist of five physical board switch inputs (discrete inputs) and three physical board analog inputs. There are more functions allowed for configuration than there are inputs. Each function will have a configuration for which input channel it is assigned to. Each switch function will also have a switch type configuration which defines that switches normal state. Table 6 shows the configurable functions and what their normal and active states are. Table 7 shows the configurable analog input functions. The switch configurations can be found in the **SETTINGS→UNIT CONFIGURATIONS→SWITCH INPUT CONFIGS** sub-menu. The analog input configurations can be found in the **SETTING→UNIT CONFIGURATIONS→SWITCH INPUT CONFIGS** sub-menu. The configurable input assignment can be viewed in the **SERVICE→HARDWARE→ASSIGNED INPUTS/OUTPUTS** sub-menu.

**Table 6 – Configurable Switch Input Functions**

Function Description	Normal State	Active State
Humidistat	OFF	ON
Condensate Overflow	LOW	HIGH
Filter Status Switch	CLEAN	DIRTY
Remote Occupancy	UNOCC	OCCUPIED
Remote Shutdown	RUN	SHUTDOWN
General Status Switch	GOOD	ALARM
Enthalpy Switch Input	LOW	HIGH

**Table 7 – Configurable Analog Input Functions**

Function Description	Sensor Type	Sensor Values
Space Air Relative Humidity Sensor	0–20mA	%RH
Return Air Relative Humidity Sensor	0–20mA	%RH
Indoor Air CO <sub>2</sub> Sensor	0–20mA	PPM
Outside Air CO <sub>2</sub> Sensor	0–20mA	CFM

## **General Operation**

48/50LC units can provide cooling, dehumidification, heating, and ventilation. The operating mode (MODE) shows the highest level of operation of the unit at any given time. The operating sub-mode (SUB-MODE) shows the detail operation occurring while under a specific mode. Fig. 10 shows the MODE and SUB-MODE values.

Each unit will operate under one of three basic types of control, thermostat, space temperature sensor, or return air temperature sensor. There are many inputs, configurations, safety factors, and conditions that ultimately control the unit. Refer to the specific operation sections for detail on a specific unit operation. The control will set the demand based on these types of control and conditions, which then drives the operating mode.

When thermostat control is enabled (**UNIT CONTROL TYPE**), the unit will operate based on discrete input commands (G, Y1, Y2, Y3, W1, and W2) and there is a one minute time delay between modes and when re-entering a mode. The G command calls for ventilation, the Y1, Y2, and Y3 commands call for cooling, and the W1 & W2 commands call for heating. Thermostat Control Type (**THERMOSTAT TYPE**) affects how cooling operates based on Y1, Y2, and Y3 commands and if cooling/heating stage time guards are applied.

When space temperature sensor control is enabled (**UNIT CONTROL TYPE**), the unit will try to maintain the Space Temperature (**SPACE TEMPERATURE**) between the effective

cool and heat setpoints (*EFF COOL SETPOINT* and *EFF HEAT SETPOINT*). However, to minimize unnecessary cool to heat and heat to cool changes, there is a 10 minute delay after the last stage turns off before the control will switch modes. Linkage operation overrides the mode changeover delay to 15 seconds. The cooling and heating Mode Select Time guards (*COOL MODE T.GUARD* and *HEAT MODE T.GUARD*) show the remaining time before allowing the respective mode to be entered.

### Demand Determination

Based on the unit control type (*UNIT CONTROL TYPE*), alarm conditions, and user interaction, the control will determine an

overall demand of the unit. Table 8 shows the possible system demands with their priority level and summary description.

### Thermostat Demand

When the unit control type is configured for thermostat (*UNIT CONTROL TYPE = TSTAT*) the level 5 demand in Table 8 will be determined by thermostat inputs and the Thermostat Type configuration (*THERMOSTAT TYPE*) as shown in the tables below. Table 9 shows the cooling thermostat inputs and how they map to the system demand. Table 10 shows the heating thermostat inputs and how they map to the system demand.

MODE	OFF	VENT	COOL	HEAT	TEST
SUB-MODE	STARTING UP	MODE TIMEGUARD	ECON FREE COOLING	HEATING	MANUAL TEST
	IDLE - NO DEMAND	SUPPLY FAN ON	UNOCC. FREE COOL	OUTSIDE AIR TEMPERING	AUTO TEST
	MODE TIMEGUARD		MECH. COOLING	HEATING PREVENTED	SHUTTING TEST OFF
	UNIT DISABLED		ECON/MECH COOLING	SHUTTING HEAT OFF	
	URGENT SHUTDOWN		DEHUMIDIFICATION		
	SAFETY CONTROL		DEHUM/MECH COOL		
			DEHUM PREVENTED		
			COOLING PREVENTED		
			SHUTTING COOL OFF		

Fig. 10 - Modes and Sub-Modes

a48-9374

Table 8 – Demand List and Priority

DEMAND	Priority	Description
EMERGENCY	1	An emergency condition occurs which requires a unit shutdown
SAFETY FAULT	2	A safety diagnostic requires the unit to run in safety mode.
SERVICE TEST	3	User request test mode
SHUTDOWN	4	A minor or user condition requires the unit to shutdown
NO DEMAND	5	There is no comfort demand from the building
FAN ONLY		Only circulation or ventilation is requested form the building
DEHUM		A dehumidification load is present in the building
LOW COOL		A low cooling load is present in the building
MED COOL		A medium cooling load is present in the building
HIGH COOL		A high cooling load is present in the building
LOW COOL & DEHUM		A low cooling and dehumidification load is present in the building
MED COOL & DEHUM		A medium cooling and dehumidification load is present in the building
HIGH COOL & DEHUM		A high cooling and dehumidification load is present in the building
UFC LOW COOL		A low cooling load is present in the building due to the unoccupied free cooling algorithm
UFC MED COOL		A medium cooling load is present in the building due to the unoccupied free cooling algorithm
UFC HIGH COOL		A high cooling load is present in the building due to the unoccupied free cooling algorithm
LOW HEAT		A low heating load is present in the building
HIGH HEAT		A high heating load is present in the building
SUPPLY AIR TEMPERING		Due to outside air, supply air is uncomfortably cool during ventilation

Table 9 – Thermostat Cooling System Demands

Thermostat Inputs			THERMOSTAT TYPE			
Y1	Y2	Y3	CONV 2C2H**	CONV 3C2H	DIGI 2C2H*	DIGI 3C2H
0	0	0	No Cool	No Cool	No Cool	No Cool
0	0	1	No Cool	Alert & Low Cool	No Cool	High Cool
0	1	0	Alert & Low Cool	Alert & Low Cool	Medium Cool	Medium Cool
0	1	1	Alert & Low Cool	Alert & Med Cool	Medium Cool	High Cool
1	0	0	Low Cool	Low Cool	Low Cool	Low Cool
1	0	1	Low Cool	Alert & Med Cool	Low Cool	High Cool
1	1	0	High Cool	Medium Cool	High Cool	Medium Cool
1	1	1	High Cool	High Cool	High Cool	High Cool

\* Y3 is ignored

\*\* Set the *LOW COOL COMP* as needed, and Y3 is ignored

**Table 10 – Thermostat Heating System Demands**

Thermostat Input		THERMOSTAT TYPE	
W1	W2	CONV 2C2H CONV 3C2H	DIGI 2C2H DIGI 3C2H
0	0	No Heat	No Heat
0	1	Alert & Low Heat	High Heat
1	0	Low Heat	Low Heat
1	1	High Heat	High Heat

**Space Sensor Demand**

When the unit control type is configured for space sensor (*UNIT CONTROL TYPE = SPACE SEN*) the level 5 demand in Table 8 will be determined by the space sensor inputs and setpoints as described below. The Effective Demand Temperature (*DEMAND CTRL TEMP*) represents the temperature which the control is using to control the space. This would come from the space sensor, building network, linkage, or the return air sensor.

**Setpoint Determination**

Setpoints are used to control the unit. The Cool Setpoint in Effect (*EFF COOL SETPOINT*) and the Heat Setpoint in Effect (*EFF HEAT SETPOINT*) are the points in which the unit is controlling to at a specific time. These points are read only points and change according to occupancy, the offset slider status, and network writes. The setpoint configurations are in the *SETTINGS→SPACE SET POINTS* submenu.

If the building is in occupied mode, the Occupied Cool Setpoint (*OCC COOL SETPOINT*) and the Occupied Heat Setpoint (*OCC HEAT SETPOINT*) are active. When the building is in unoccupied mode, the Unoccupied Cool Setpoint (*UNOCC COOL SETPNT*) and the Unoccupied Heat Setpoint (*UNOCC HEAT SETPNT*) are active. The heating and cooling set points are also separated by a Heat-Cool Set Point Gap (*HEAT-COOL SP GAP*) that is user configurable from 2 to 10 degrees F. This parameter will not allow the setpoints to be set too close together, it will change the last setpoint adjusted if it is set within the GAP.

When the space sensor has a setpoint slider adjustment, the cool and heat setpoints (occupied) can be offset by sliding the bar from one side to the other. The SPT Offset Range (+/-) (*SPT SLIDER RANGE*) sets the total positive or negative degrees that can be added to the setpoints. With the slider in the middle, no offset is applied. Moving the slider to the “COOL” side will subtract from each setpoint, and sliding it to the “WARM” side will add to the setpoints. The slider offset being applied at any given time is displayed as Space Temperature Offset (*SLIDER OFFSET VAL*).

**Temperature Demand**

Space sensor staging control is an adaptive anticipation control that weighs the actual space demand against the trend of that demand. The control tries to anticipate the change in the space because of its current stage status. This anticipation is based on the demand trends. These trends will show the control how the space is reacting to the current running conditions and help it decide when to change the actual demand of the system. The following points are in the *RUN STATUS→MODE* submenu:

**COOLING DEMAND** — This is the difference between the Cool Setpoint in Effect (*EFF COOL SETPOINT*) and the Effective Demand Temperature (*DEMAND CTRL TEMP*) representing the demand of the space for cooling.

**COOL DEMAND TREND** — This is the rate of change of the cooling demand in degrees per minute, representing how the space is changing its demand for cooling.

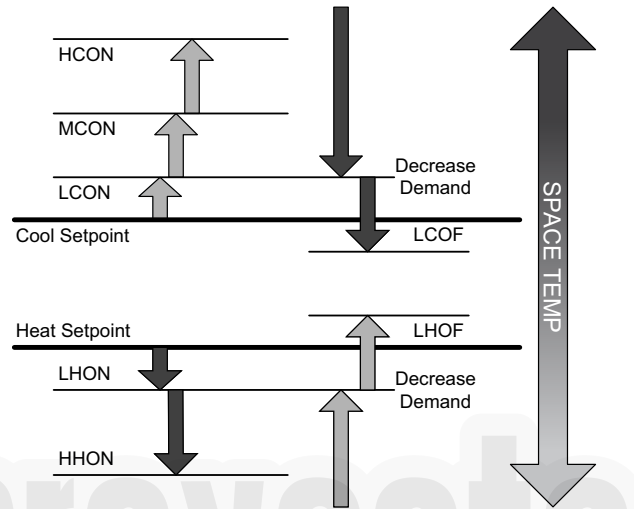
**HEATING DEMAND** — This is the difference between the Heat Setpoint in Effect (*EFF HEAT SETPOINT*) and the Effective Demand Temperature (*DEMAND CTRL TEMP*) representing the demand of the space for heating.

**HEAT DEMAND TREND** — This is the rate of change of the heating demand in degrees per minute, representing how the space is changing its demand for heating.

In general the system demand will increase based on the demand compared to the demand switch states in Fig. 11. The demand cannot increase until Time guard 1 (*DEMAND TIMEGUARD1*) expires. The LCON and LHON thresholds will also cause the system demand to be reduced. When the demand hits the off switch stages the system demand will be set to NO DEMAND. These switch stages are in the *SETTINGS→SET POINTS→TEMP DEMAND CONFIG* submenu.

The cooling and heating demand level up configurations (*COOL DMD LEVEL UP* and *HEAT DMD LEVEL UP*) will restrict a system demand increase if the demand trend is less than the level up configuration. These level up configurations will also increase the system demand if the demand trend is greater than it for greater than the Time guard 2 (*DEMAND TIMEGUARD2*).

The system demand will increase if it has remained at the same state for greater than Time Guard 3 (*DEMAND TIMEGUARD3*).



**Fig. 11 - Space Sensor System Demand Switch States**

**RAT Demand**

When the unit control type is configured for return air sensor (*UNIT CONTROL TYPE = RAT SEN*) the level 5 demand in Table 8 will be determined the same as space sensor but using the return air temperature (*RETURN AIR TEMP*) instead of the space temperature (*SPACE TEMPERATURE*).

**Occupancy Determination**

The building’s occupancy is affected by a number of different factors. Occupancy affects the unit set points and the operation of the economizer. The factors affecting occupancy are listed below from highest to lowest priority.

**Level 1 Priority**

Level 1 classification is a force/write to occupancy and can occur two ways. Listed in order of priority: force on OCCUPIED, and a Linkage write. The CCN point OCCUPIED is forced via an external device such as a ComfortID™ controller or a service tool: when OCCUPIED is forced to YES, the unit is considered occupied, when OCCUPIED is forced to NO, the unit is considered unoccupied. If the unit is being controlled by Linkage, the occupancy is communicated and mapped to OCCUPIED as an input. Linkage does not force the point only write to it, therefore a force applied to OCCUPIED will override it.

If OCCUPIED is not being forced or written to, proceed to the level 2 priority.

**Level 2 Priority**

Level 2 is considered occupant interaction, and consists of Timed Override and Remote Occupancy Switch. A timed override button press will override a remote occupancy switch if both are installed for operation.

While using the programmed schedule, occupancy can be temporarily switched from unoccupied to occupied by pressing the override button for approximately 3 seconds on the T-55, T-56, or T-59 space temperature sensor. The length of the override period when pressing the override button is determined by the Override Time Limit (**TIMED OVR LENGTH**). The hours remaining in override is displayed as Timed Override Hours (**TIMED OVR HOURS**). This point can also be changed from the local display or network to set or change the override period length.

Remote Occupancy Switch (**REMOTE OCC SWITCH**) can be forced or configured for operation based on an actual switch. The physical switch should be configured to either Normally Open or Normally Closed when the user would like to control the occupancy with an external switch. This switch is field-supplied (24v, single pole, single throw [SPST]). There are two possible configurations for the remote occupancy switch:

1. (**REMOTE OCC TYPE = 0**) Normally Open Switch
1. (**REMOTE OCC TYPE = 1**) Normally Closed Switch

If the switch is configured to No Switch (**REMOTE OCC CHAN = None**), the switch input value will be ignored and software will proceed to level 3 priority. For each type of switch, the appropriate configuration and states are listed in the table below.

TYPE OF SWITCH	SWITCH CONFIGURATION	STATE OF SWITCH AND STATE OF OCCUPANCY
Occupied when Closed or Unoccupied when Open	Normal Open (0)	Open and Unoccupied
		Closed and Occupied
Occupied when Open or Unoccupied when Closed	Normal Closed (1)	Open and Occupied
		Closed and Unoccupied

### Level 3 Priority

The following occupancy options are determined by the state of Occupancy Schedule Number (**SCHEDULE NUMBER**) and the Global Schedule Broadcast (**BROADCAST SCHEDL?**).

1. (**SCHEDULE NUMBER = 0**) The unit is always considered occupied and the programmed schedule is ignored. This is the factory default.
2. (**SCHEDULE NUMBER = 1-64**) Follow the local programmed schedule. Schedules 1 to 64 are local within the controller. The unit can only store one local schedule and therefore changing this number only changes the title of the schedule table.
3. (**SCHEDULE NUMBER = 65-99**) Follow the global programmed schedule. If the unit is configured as a Global Schedule Broadcaster (**BROADCAST SCHEDL? = YES**), the unit will follow the unit's programmed schedule and broadcast the schedule so that other devices programmed to follow this schedule number can receive the schedule. If the unit is not programmed as a Global Schedule Broadcaster (**BROADCAST SCHEDL? = NO**), the unit will receive broadcasted schedules from a unit programmed to broadcast this schedule number.

### Humidity Demand

When the unit is configured for either a Humidistat input (**HUMSTAT CHANNEL**) or Space Humidity Sensor (**SPRH SENS CHANNEL**) the level 5 demand in Table 8 will include a determination of dehumidification demand.

#### Humidistat

When receiving an active input from the Humidistat (**HUMIDISTAT**), dehumidification will be demanded.

#### Space Relative Humidity

On units with a relative humidity sensor, when the received value of space relative humidity (**SPRH LEVEL**) has exceeded the humidity set point (**SPRH SET POINT**), dehumidification will be demanded. This demand will remain until the space relative humidity has fallen below the humidity set point by more than the

humidity set point deadband (**SPRH DEADBAND**). This would come from the space humidity sensor, or building network.

### Indoor Fan Operation

These units use the Staged Air Volume (SAV) method of controlling the supply fan for a typical constant volume rooftop unit. This control method employs a variable frequency drive (VFD) to operate the supply fan at different speeds in order to achieve energy savings through reduced fan power. This method is specifically not concerned with controlling static pressure in the supply duct, but rather with setting different fan speeds for different operating conditions, such as ventilation mode or part-load mechanical cooling.

The SAV function is NOT a Variable Air Volume (VAV) function. The fan adapts its speed to one of eight based on mode and current state to satisfy a demand. The eight speeds consist of off (0%) and seven configurable values. The seven configurable fan speeds are: Maximum Speed (**MAXIMUM IDF SPEED**), Ventilation (**VENT IDF SPEED**), Heating (**HEATING IDF SPD**), Free Cool (**FREE COOL IDF SPD**), Mechanical Low Cooling (**LOW COOL IDF SPD**), Mechanical Medium Cooling (**MED COOL IDF SPD**), and Mechanical High Cooling (**HIGH COOL IDF SPD**). The VFD is powered direct from the distribution block or circuit breaker (CB) and is always on with power applied unless the CB is tripped. When the thermostat or space sensor control conditions require the fan on, the VFD will then ramp to desired speed. Fan speed is always calculated by evaluating the current applicable conditions. Each fan speed condition is evaluated independently, and the highest fan speed is used. For example, if a cooling call occurs during Ventilation mode, the unit mode will transition to cooling but the fan speed is set to the higher of the two (**VENT IDF SPEED** or **LOW COOL IDF SPD**). Refer to the speed configurations below for when the fan will run at them.

### Direct Drive Units

Alternately, 48/50LC04-06 units can have either a direct drive Electronic Commutated Motor (ECM) fan system or a belt drive motor powered by a Variable Frequency Drive (VFD). And **IDFTYPE=1** indicates a unit with VFD, while an **IDFTYPE=2** indicates a direct drive system. Refer to the unit product data for Fan Performance tables and physical data. On direct drive units, the ECM has 5 speed taps to allow a range of fan performance. The control has 3 output wires to connect to 3 different taps. From the factory the low and high speed wires are connected to the first and second speed taps, respectively. The ventilation speed tap is disconnected. The speed taps increase the speed the higher the tap number, so the first tap is the lowest speed and tap 5 is the highest speed. If the low and high speed wires are moved to higher taps, the ventilation speed wire can be wired into the motor. To activate the use of the ventilation speed wire, the Number of Speeds (**SETTINGS→UNIT CONFIGURATIONS→INDOOR FAN→NUMFSPDS**) configuration must be set to 3.

The Commanded Fan Speed (**OUTPUTS→INDOOR FAN→FANSPEED**) represents the controls commanded speed for the fan at any given time. This commanded speed is determined by the unit's current HVAC mode and the unit control type. For gas heating units, the IGC fan request output (**Inputs→GEN.I→IGC.F**) is monitored by the control. This can result in additional modification of fan delays or other operation due to safety functions of the IGC control. See the Gas Heating operation section for more details. If configured for IAQ fan operation, the fan may be turned on to satisfy air quality demands. See the Indoor Air Quality section if using IAQ (indoor air quality) accessory sensors. The fan can run under thermostat or space sensor control and will remain on if compressors or heat relays are ever stuck on. If Shut Down on IDF Failure is enabled (**SHUTDOWN IDF FAIL = Yes**), the fan and unit will be shutdown without delay on fan alarm conditions. Fan off delays are honored when exiting specific HVAC modes. The Fan-off Delay delays are as follows: Cooling (**COOL FANOFF DELAY**), and Heating (**HEAT FANOFF DELAY**).



### **Indoor (Supply) Fan Maximum Speed (MAXIMUM IDF SPEED)**

Max speed is the highest fan speed allowed. This is typically 100% when pulleys are set to deliver design CFM to the space per job requirement. Most safety conditions for the unit will override the fan speed to this to help protect the unit.

### **Ventilation Indoor Fan Speed (VENT IDF SPEED)**

This configuration defines the fan speed used in Ventilation (fan-only) mode. Ventilation mode is when the supply fan is running, but there is no demand for heating or cooling. In thermostat mode, this is with just a G call. In space sensor control, this is when the unit is Occupied mode and the indoor fan is configured to always run while occupied (*OCCUPIED FAN?*). If the indoor fan is configured for intermittent fan (*OCCUPIED FAN? = No*), the Mode will be off instead of Ventilation and the fan will not run unless a heating or cooling mode is needed. During the unoccupied period, the fan will always operate intermittently. The economizer damper will adjust its position based on how far away this speed is from max speed for ventilation.

**IMPORTANT:** It is important that the ventilation rate is checked after setting this speed to verify that the unit can properly ventilate the space per requirements. Adjusting this configuration or the economizer minimum setting curve should be performed to meet job requirements.

### **Heating Indoor Fan Speed (HEATING IDF SPD)**

This configuration defines the fan speed used when in heating mode and running heat. On units equipped with Gas heat (*UNIT TYPE OF HEAT*), this heat speed will be delayed on based on the IGC's fan on call (*IGC FAN REQUEST*). Once the IGC request the fan the fan will run what this heating speed configuration is set for until heating is ended. On units configured for Electric heat (*UNIT TYPE OF HEAT*) and configured for Preheat without the fan (*PREHEAT W/O IDF*), this heat speed will be delayed on based on the Preheat fan delay time (*PREHEAT FAN DELAY*). Once this preheat time has expired or not configured for preheat, the fan will run at this heat speed while heat is on.

### **Free Cooling Indoor Fan Speed (FREE COOL IDF SPD)**

This configuration defines the initial fan speed used when in Free Cooling. Refer to the Economizer Controls Operation section for details on free cooling. The fan will stay at this configured speed whenever only the damper is being used for free cooling. If the damper is at 100% for 5 minutes the fan will ramp to the high cooling speed. It is locked there until the actual damper position falls below 75% at which time it will ramp back down to this configured speed.

### **Low Cooling Indoor Fan Speed (LOW COOL IDF SPD)**

This configuration defines the fan speed used when only one stage mechanical cooling is being performed.

### **Medium Cooling Indoor Fan Speed (MED COOL IDF SPD)**

This configuration defines the fan speed used when only second stage mechanical cooling is being performed.

### **High Cooling Indoor Fan Speed (HIGH COOL IDF SPD)**

This configuration defines the fan speed used when third (full load) stage mechanical cooling is being performed. When performing integrated cooling with the economizer this speed will be used. When only free cooling with a high cool demand, this speed will be used.

## **Cooling Operation**

The 48/50LC unit's cooling operation consists of: demand and mode determination, staging request to satisfy the demand, and handling a request with the unit's resources. These resources can include compressors, Humidi-MiZer<sup>®</sup> system, an economizer, and fan speed based on options. This section covers mechanical cooling. For economizer free cooling, refer to the Economizer Operation section (starting on page 24).

For Humidi-MiZer system operation, refer to the Optional Humidi-MiZer Dehumidification System section (see page 19).

## **Cooling Mode Control**

The cooling HVAC mode (*OPERATING MODE*) has 9 different operating sub modes (*SUBMODE*): ECON FREE COOLING, UNOCC. FREE COOL, MECH. COOLING, ECON/MECH COOLING, DEHUMIDIFICATION, DEHUM/MECH COOLING, DEHUM PREVENTED, COOLING PREVENTED, and SHUTTING COOL OFF. These are all part of a general cooling mode and resemble the specific type of cooling that is being performed at any given time. All types of cooling are still performed under the general cooling function, and the expanded text is for user reference only.

For the unit to enter cooling mode, three things must be true: the indoor fan must be ok to use, the mode changeover time guard must be expired, and there must be a cooling or dehumidification demand (Y1, Y2, Y3, space cool demand, or humidity demand). The unit will remain in cooling for at least one minute or until any of the above conditions turn false. The cooling mode does not officially end until the compressor is off and the fan off delay has expired.

## **Cooling Staging Control**

Once the unit is in a cooling mode, determine what the demand is and how to satisfy it. If an economizer is installed and can be used for cooling (*OK TO USE FREE COOLING? = Yes*), the unit will use it first (see economizer section for its operation). If the economizer cannot be used or additional cooling is needed, a mechanical cooling check is performed. OK to use Compressors? (*OK TO USE COMPS?*) will be set to yes when the outdoor temperature (*OUTDOOR AIR TEMP*) is above the Circuit A Lockout temperature (*CIR A LOCKOUT OAT*) and the Circuit A is not locked out for diagnostic reasons (*CIRCUIT A LOCKOUT*). Based on the unit control configuration, requested cooling stages (*REQ. COOL STAGES*) will be determined then passed to compressor control to actually add the cooling stages.

There are two ways of requesting stages when thermostat control is enabled, Traditional thermostat control or adaptive control. Traditional thermostat control is used if set for non-adaptive thermostat (*ADAPTIVE TSTAT = NO*) and the unit cannot use the economizer for free cooling. If set for adaptive thermostat (*ADAPTIVE TSTAT = YES*) or any time the economizer is available for free cooling, the unit will use adaptive control for staging.

When configured for Space sensor or RAT control (*UNIT CONTROL TYPE*) the unit will use adaptive control for staging. With either staging method there are two supply air temperature limits that apply, one restricts more cooling stages and the other will remove cooling stages. If at any time the Supply-Air Temperature (*SUPPLY AIR TEMP*) falls below the Minimum Supply Air Temperature Upper Level (*UPPER MIN SAT*), the requested stages will not be allowed to increase. If at any time the SAT falls below the Minimum Supply Air Temperature Lower Level (*LOWER MIN SAT*), the requested stages will be reduced by one. If these SAT limits are configured so that they are too close together, the last stage might cycle rapidly, slowed only by its minimum on and off-time requirements.

## **Adaptive Control**

Stage timers and Supply air trend apply when determining the request for stages. The first request (*REQ. COOL STAGES =1*) comes immediately when starting the staging process. The Cool Stage Increase Time (*COOL STAGEUP TIME*) has to expire and the Supply-Air Trend (*SUPPLY AIR TREND*) has to be above the cooling supply air trend level (*COOL SATTREND LEV*) before another stage can be added. Requested stages will only be allowed to increase as the actual system demand allows (*DEMAND*). A "LOW COOL" demand will only allow one requested stage, "MED COOL" two stages, and "HIGH COOL" 3 stages. The requested stages will be reduced if the cooling demand is lowered or dropped completely, or if the supply air falls below the lower level (*LOWER MIN SAT*).

**Traditional Thermostat Control**

Stage timers and Supply air trend do not apply when determining the request for stages. Request staging will follow the thermostat inputs directly. "LOW COOL" will request one stage. "MED COOL" will request two stages. "HIGH COOL" will request 3 stages.

**Compressor Control**

The compressor control works hand and hand with the staging control. As the staging control request stages, the compressor control determines what is available or running and tries to provide stages for what is requested. The availability of the compressors depends on time guards, circuit diagnostics, and outdoor temperature. The low cooling compressor (**LOW COOL COMP**) informs the control which compressor is desired for a low cooling demand.

**IMPORTANT:** When LOW COOL COMP is set to 2 the unit will operate as a 2 stage unit where the larger compressor is stage one and both compressors are stage 2.

There are time guards to protect the compressor, Compressor Min On Time (**COMP MIN ON TIME**) and Compressor Min Off Time (**COMP MIN OFF TIME**) apply before the compressors can be turned back on or turned off. Timeguard A1 (**COMP A1 TIMEGUARD**) and Timeguard A2 (**COMP A2 TIMEGUARD**) display the time the compressors have before they can transition state.

Circuit diagnostic tests are performed during operation which may or may not allow the compressors to be used. The availability of the compressors is shown as Compressor A1 Available (**COMP A1 AVAILABLE**) and Compressor A2 Available (**COMP A2 AVAILABLE**). The lockout status of the compressors is shown as Compressor A1 Lockout (**COMP A1 LOCKOUT**) and Compressor A2 Lockout (**COMP A2 LOCKOUT**). The actual stages running at any given time is displayed as Actual Cooling Stages (**ACTIVE COOL STAGE**): 0 (Off), 1 (Compressor A1 On only), 2 (Compressor A2 On only), and 3 (both compressors are on). Individual compressor output state is shown as (**COMPRESSOR A1**) and (**COMPRESSOR A2**).

Any time the outdoor ambient falls below the low cooling minimum outdoor temperature (**LOW COOL MIN OAT**), the low cooling

lockout will be active (**LOW COOL LOCKOUT**) preventing compressor A1 from running by itself. Any time the outdoor ambient falls below the medium cooling minimum outdoor temperature (**MED COOL MIN OAT**), the medium cooling lockout will be active (**MED COOL LOCKOUT**) preventing compressor A1 and compressor A2 from running by themselves.

**Outdoor Fan Control**

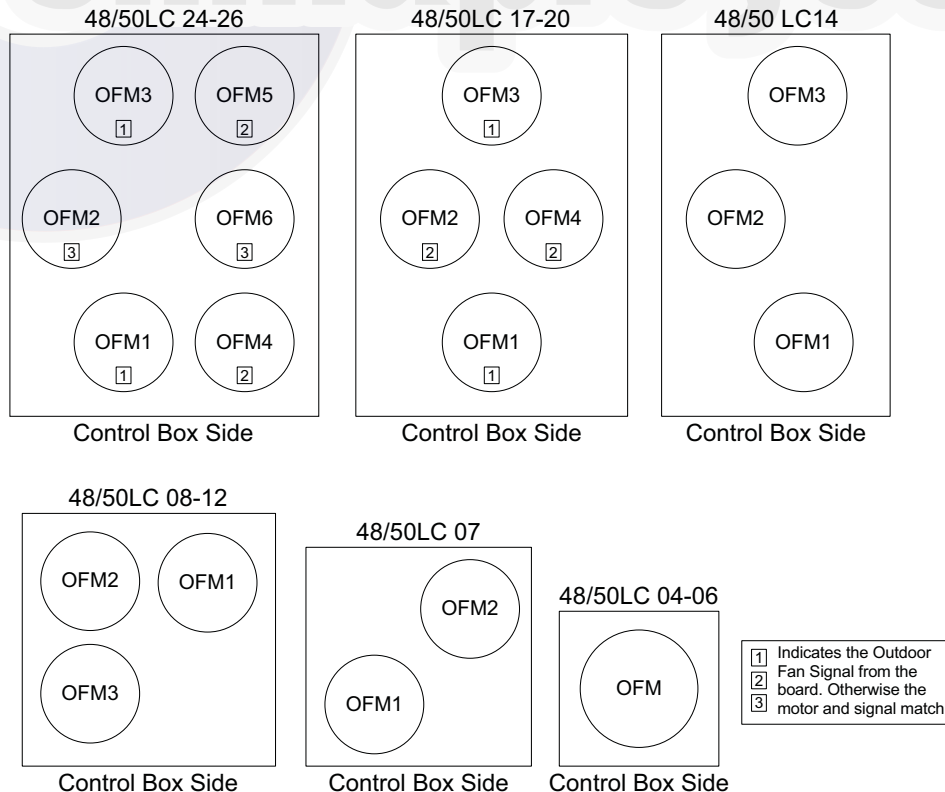
Outdoor fans can be controlled by one of two methods: normal operation of discrete speed based on the cooling being performed, or low ambient operation that varies the outdoor airflow to control saturated discharge temperature within an acceptable range. This is implemented using multi-speed motors. The system outdoor fan speed (**COMMANDED ODF SPD**) represents the commanded speed of all outdoor fan motors as a complete system. The number of outdoor fans in the system is determined by the Number of outdoor fan outputs (**ODF SIGNAL QTY**).

**IMPORTANT:** The number of outdoor fans will not always match the number of outdoor fan outputs (**ODF SIGNAL QTY**). Fig. 12 shows how the outdoor fans are mapped with the outdoor fan outputs.

**NOTE:** Factory default configurations account for these model differences and should not be changed. The default configurations have been qualified over a large range of conditions and are provided in case a field replacement of a control board occurs and the settings need to be checked or manually configured. Outdoor fan operation is further described below to assist in troubleshooting.

**Typical Operation**

When OAT is above low ambient temperature (**LOW AMBIENT TEMP**), the ODFs will run at 4 discrete speeds, off, Low Cool Speed (**ODF LOW COOL SPD**), Medium Cool Speed (**ODF MED COOL SPD**), and High Cool Speed (**ODF HIGH COOL SPD**), corresponding to the 4 discrete cooling stage of the compressors (**ACTIVE COOL STAGE**): 0 (Off), 1 (Compressor A1 On only), 2 (Compressor A2 On only), and 3 (both compressors are on).



**Fig. 12 - Outdoor Fan Motor Arrangement**

### Low Ambient Operation

Low ambient operation will be used when either of the 2 conditions is met: 1) OAT is less than low ambient temperature (**LOW AMBIENT TEMP**) – 5°F or 2) OAT is less than low ambient temperature (**LOW AMBIENT TEMP**) – 2.5°F and the Saturated Discharge Temperature (**CIRA DIS. TEMP**) is less than 92°F. The low ambient ODF control will manipulate ODF speed to keep the discharge temp above 95°F. As OAT continues to drop, ODF speed will continue to decrease, at certain point, the low ambient control may decide to turn off ODFs and only control the speed of the rest of the outdoor fans. If the discharge temp keeps on decreasing, it may reach a point that all ODF fans will be turned off. The ODFs will be turned on starting from the highest number first, meaning the ODF1 will be the last one to shut off. The ODFs are protected with a 45 second run time and a 60 second off time. See Fig. 12 for the ODF arrangement. The lowest speed allowed to run any ODF is determined by the outdoor fan Minimum Speed Configuration (**ODF MINIMUM SPEED**).

**NOTE:** During ODF cycling all fans that are commanded on will be at the same speed and the ones off will be at zero speed. The motors will not be allowed to run different speeds at the same time.

When OAT rises above low ambient temperature (**LOW AMBIENT TEMP**), ODF control will transition from low ambient to normal operation. A period (5 min) is allowed for the ODF speed to ramp from current position to one of the 4 discrete speed settings.

**IMPORTANT:** The low ambient temperature (**LOW AMBIENT TEMP**) is default to 66 degrees and should not be changed unless directed by authorized Carrier Personnel.

### Optional Humidi-MiZer® Dehumidification System

Units with the factory-installed Humidi-MiZer system option are capable of providing multiple modes of improved dehumidification as a variation of the normal cooling cycle. The Humidi-MiZer system option includes additional valves in the liquid line and discharge line of each refrigerant circuit, a reheat coil downstream of the evaporator, and variable-speed control of all the outdoor fans. The Humidi-MiZer system equipped configuration is factory set to Yes for Humidi-MiZer system equipped units (**HUMIDIMIZER OK = YES**). This enables Humidi-MiZer system operating modes and service test.

Humidi-MiZer system operation requires the installation and configuration of a relative humidity switch input or a space relative humidity sensor. The HUMIDISTAT and SPRH leads are provided with quick connects. The Space Humidity Switch configuration, **SETTINGS → UNIT CONFIGURATIONS → SWITCH INPUTS CONFIGS → HUMSTAT CHANNEL** identifies the normally open or normally closed status of this input at high humidity. The Space RH Sensor configuration, **SETTINGS → UNIT CONFIGURATIONS → ANALOG INPUTS CONFIGS → SPRH SENS CHANNEL**, identifies to the channel number the sensor is wired into.

### Dehumidification Demand

When using a humidistat or switch input, the demand for dehumidification is seen as Space Humidity Switch (**INPUTS→SWITCH INPUTS→HUMIDISTAT**) being Low or High. A low value means humidity level is good and a high value means that dehumidification is needed.

When using an SPRH sensor, the demand is based on the Space Humidity Sensor (**INPUTS→ANALOG INPUTS→SPRH**) value compared to the Space RH Setpoint (**SETTINGS→SPACE SETPOINTS→SPRH SETPOINT**). If the Space Humidity Sensor (SPRH) value is above the Space RH Setpoint (SPRH Setpoint), then dehumidification is needed. If the Space Humidity Sensor (SPRH) value is below the Space RH Setpoint (SPRH Setpoint) minus the Space RH Deadband (**SETTINGS→UNIT CONFIGURATIONS→COOLING→SPRH DEADBAND**), then dehumidification is no longer needed.

**NOTE:** When there is a dehumidification demand, the economizer damper position is limited to its minimum damper position.

### Humidi-MiZer System Modes

With Humidi-MiZer system units there are two additional HVAC modes available for the user: Dehumidification and Dehum/Mech Cooling. Selection of the Dehum/Mech Cooling mode is determined by the dehumidification demand and the cooling demand. Table 11 shows the corresponding circuit mode and output status for the different demand combinations.

### Normal Cooling

For 48/50LC07-26 units, refrigerant flows from the outdoor condenser through the de-energized 3-Way Liquid Diverter Valve (LDV) to the expansion device bypassing the reheat condenser coil. The Reheat Discharge Valve (RDV) is closed. (See Fig. 14.)

**Table 11 – Humidi-MiZer System Control Modes - Sizes 07-26**

DEMAND AND MODE			OUTPUTS	48/50LC 07-26 Valves	
Space Humidity	Circuit Cooling Demand	Circuit Mode	Circuit Compressor	LDV Valve 3-way	RDV Valve 2-way
—	—	No power	Off	Off	Off (closed)
Low	No	Off	Off	Off	Off (closed)
Low	Yes	Cool	On	Off	Off (closed)
High	Yes	Dehum/Mech Cooling	On	On	Off (closed)
High	No	Dehum	On	On	On (open)

For 48/50LC04-06 units, refrigerant flows from the outdoor condenser and is diverted at the energized Reheat Liquid Valve (RLV) and flows through the de-energized Cooling Liquid Valve (CLV) to the expansion device bypassing the reheat condenser coil. The RDV is closed.

**Table 12 – Humidi-MiZer System Control Modes - Sizes 04-06**

DEMAND AND MODE			OUTPUTS	48/50LC 04-06 Valves		
Space Humidity	Circuit Cooling Demand	Circuit Mode	Circuit Compressor	RDL Valve	RLV Valve	CLV Valve
—	—	No power	Off	Off (closed)	Off (open)	Off (open)
Low	No	Off	Off	Off (closed)	Off (open)	Off (open)
Low	Yes	Cool	On	Off (closed)	Off (closed)	Off (open)
High	Yes	Dehum/Mech Cooling	On	Off (closed)	Off (open)	On (closed)
High	No	Dehum	On	On (open)	Off (open)	On (closed)

### Dehum/Mech Cooling (Subcooling Mode)

This mode increases latent heat removal and decreases sensible cooling compared to normal cooling. For 48/50LC07-26 units, refrigerant flows from the outdoor condenser, through the energized 3-Way Liquid Diverter Valve (LDV) and through the reheat condenser coil to the expansion device. The Reheat Discharge Valve (RDV) is closed. (See Fig. 16.)

For 48/50LC04-06 units, refrigerant flows from the outdoor condenser through the de-energized Reheat Liquid Valve (RLV) and through the reheat condenser coil to the expansion device. The Reheat Discharge Valve (RDV) and Cooling Liquid (CLV) are closed. (See Fig. 15.)

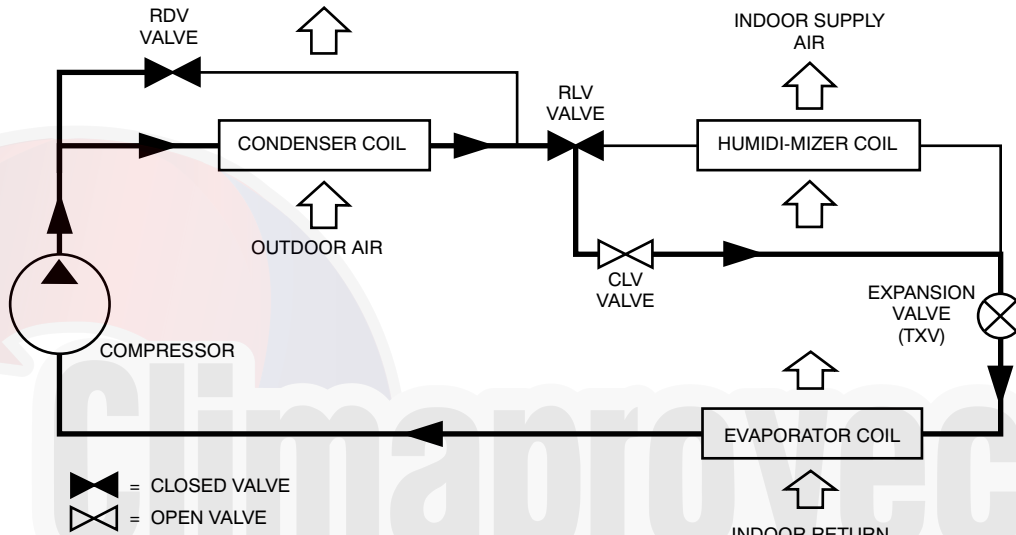
**Dehumidification (Hot Gas Reheat Mode)**

This mode provides maximum latent cooling with little to no sensible capacity. This mode can operate to provide dehumidification when there is no cooling demand. For 48/50LC07-26 the refrigerant flows from the outdoor condenser, through the energized 3-Way Liquid Diverter Valve (LDV) and through the reheat condenser coil to the expansion device. (See Fig. 18.) For 48/50LC04-06 units, The refrigerants flows from the outdoor condenser, through the de-energized RLV and through the reheat condenser coil to the expansion device. The Cooling Liquid Valve (CLV) is closed. For 48/50LC04-26 units the Reheat Discharge Valve (RDV) is open which provides some compressor discharge gas to the reheat condenser to further increase the reheat of the evaporator air stream. (See Fig. 17.)

**Reheat Control**

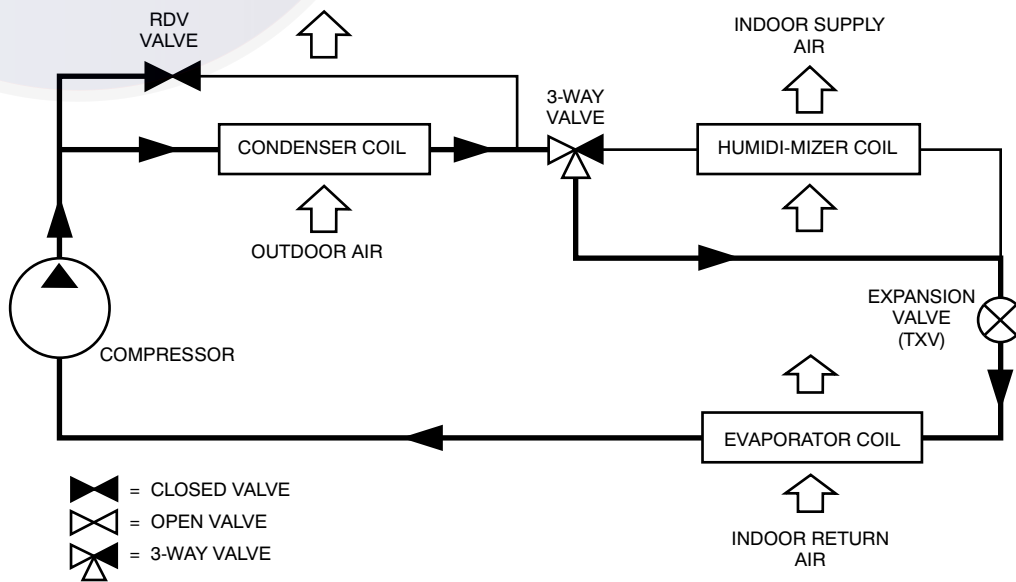
When there is only a cooling demand, the unit will operate in normal cooling mode. When there is only dehumidification

demand, the unit will operate in Dehumidification mode (Hot Gas Reheat). When there is both cooling demand and dehumidification demand, the unit will operate in Dehum/Mech Cooling mode (Subcooling). During Dehumidification and Dehum/Mech cooling mode, the unit will run all cooling stages. When the Outside Air Temperature is above 80°F, the Outdoor Fans will run at maximum fan speed. When the Outside Air Temperature is below 80°F, the Outdoor Fans will modulate to maintain Saturated Discharge Temperature setpoint **LA DEHUM LEV 1, LA DEHUM LEV 2 and LA DEHUM LEV**, (**SETTINGS→UNIT CONFIGURATIONS→COOLING→LOW AMBIENT**). The unit can be restricted from reheat operation by the outside temperature **HUMZ LOCKOUT OAT** (**SETTINGS→UNIT CONFIGURATIONS > COOLING→HUMZLOCKOUT OAT**) sets the lowest outside temperature the unit is allowed to run reheat control (Default = 40°F).



**Fig. 13 - Normal Cooling Mode – Humidi-MiZer System 48/50LC 04-06**

C14121



**Fig. 14 - Normal Cooling Mode – Humidi-MiZer System 48/50LC 07-26**

C14114

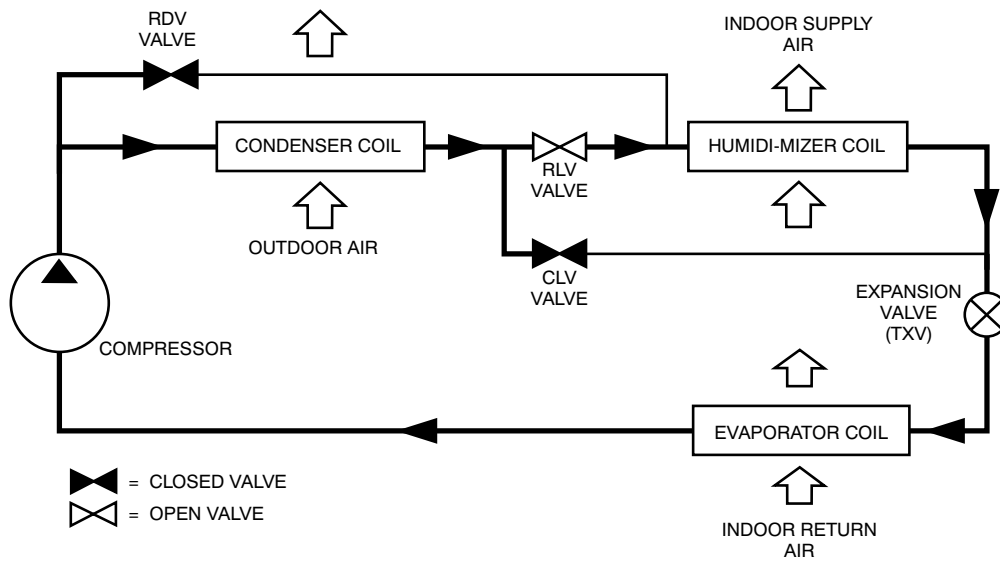


Fig. 15 - Subcooling Mode - Humidi-MiZer® System 48/50LC 04-06

C14122

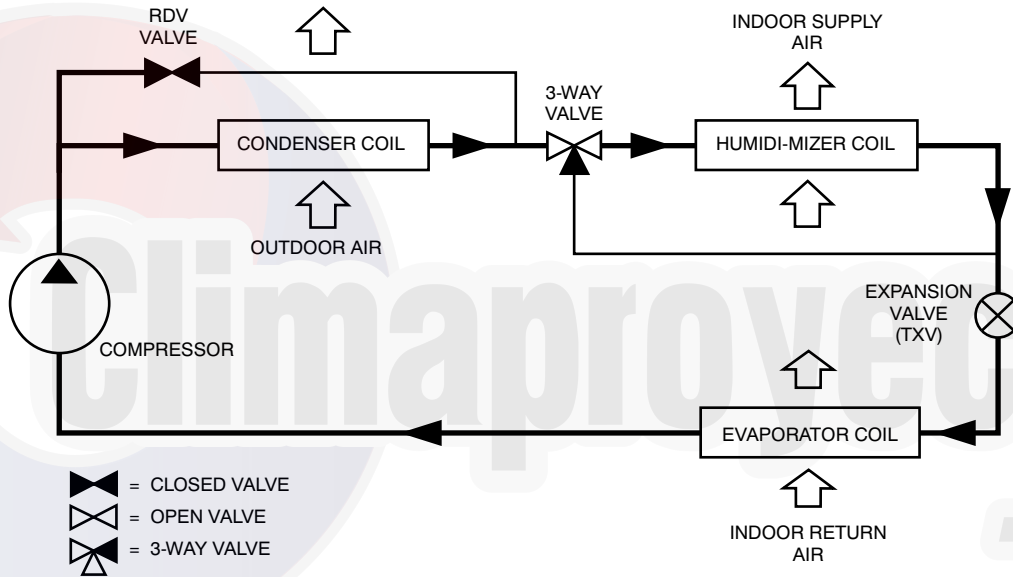


Fig. 16 - Subcooling Mode - Humidi-MiZer® System 48/50LC 07-26

C14115

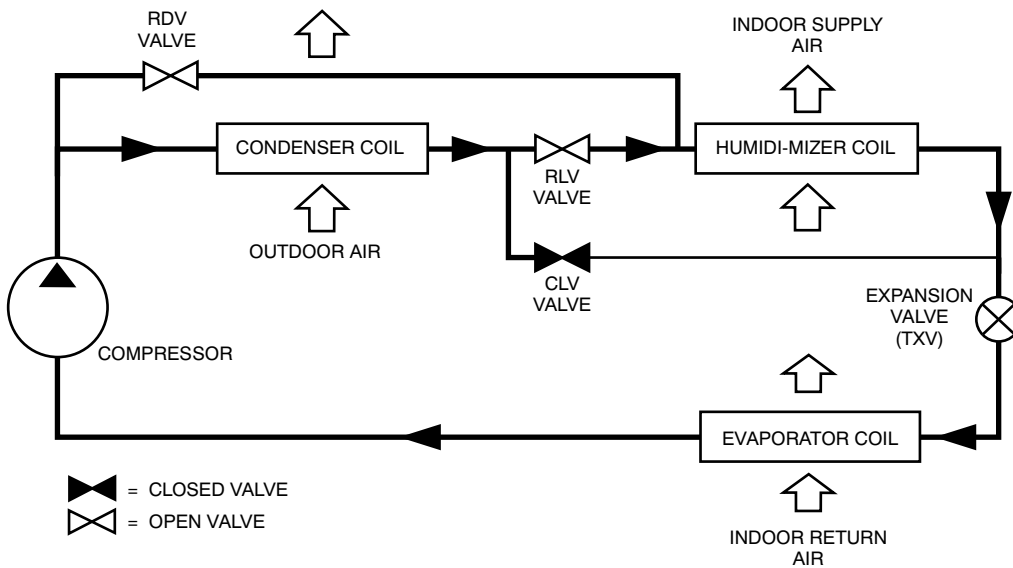


Fig. 17 - Hot Gas Reheat Mode - Humidi-MiZer System 48/50LC 04-06

C14123

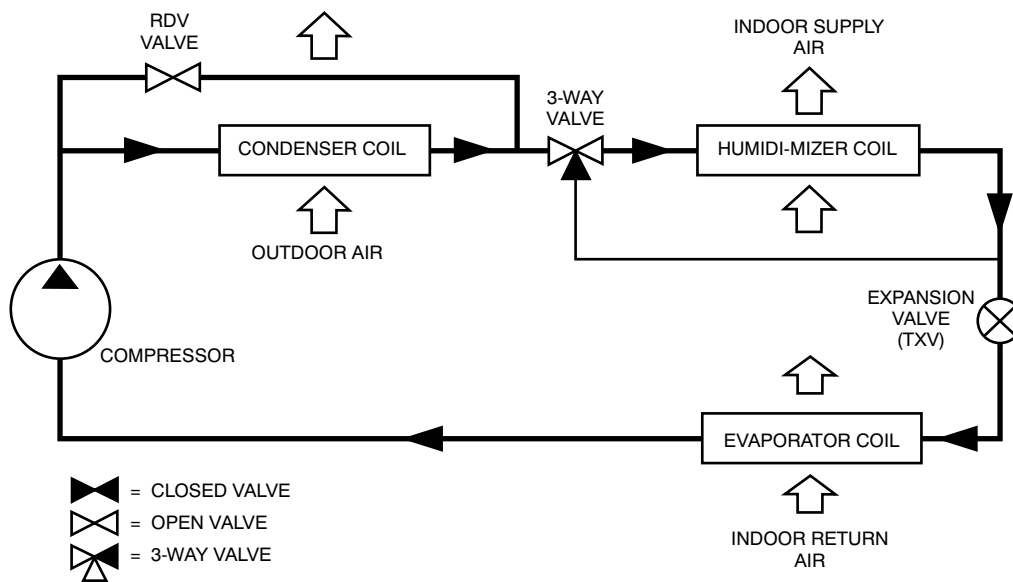


Fig. 18 - Hot Gas Reheat Mode – Humidi-MiZer System 48/50LC 07-26

C14116

### Reheat Mode Diagnostic Help

The status of reheat mode sensor inputs may be viewed within the display *INPUTS* menu. The status of reheat mode outputs may be viewed within the display *OUTPUTS* or *RUN STATUS→MODE* menu. Additional diagnostic help, including status of circuit reheat temperature limit lockouts may be viewed within the Humidi-MiZer sub-menu of the cooling mode diagnostic table at *RUN STATUS→COOL→DEHUM*. The Service Test mode may be used to force the system to operate Dehumidification mode (Hot Gas Reheat) and Dehum/Mech Cooling mode (Subcooling), or to independently operate the reheat valve control outputs.

The following forced operating states are available service test operations for a Humidi-MiZer system equipped unit:

#### SERVICE TEST → COOL TEST → HUMIDIMIZER TEST LEVEL

A value of “0” sets reheat control test to “Off.”

#### SERVICE TEST → COOL TEST → HUMIDIMIZER TEST LEVEL

A value of “1” sets Humidi-MiZer control test to “Dehum/Mech Cooling mode (Subcooling).”

#### SERVICE TEST → COOL TEST → HUMIDIMIZER TEST LEVEL

A value of “2” sets Humidi-MiZer test to “Dehumidification mode (Hot Gas Reheat).”

#### SERVICE TEST → INDEPENDENTS → LIQ DIVERT A TEST

A value of “On” will turn on the 3-Way Liquid Diverter Valve (LDV).

#### SERVICE TEST → INDEPENDENTS → REHEAT A TEST

A value of “On” will turn on the Reheat Discharge Valve (RDV).

### Indoor Fan Based Dehumidification

Belt Drive units that are not factory configured for Humidi-Mizer operation can be set for improved dehumidification operation through fan based humidification (FBD), *SETTINGS → UNIT CONFIGURATIONS → COOLING → FBD TYPE*. Units are factory defaulted to **FBD TYPE = 0** which means that any dehum demand is ignored. There are two fan based dehumidification options, Max Comfort (**FBD TYPE = 1**) and Max Dehumidification (**FBD TYPE = 2**). Fan based dehumidification requires the installation and configuration of either a space relative humidity sensor or a relative humidity switch input. The Space Humidity Switch configuration, *SETTINGS → UNIT CONFIGURATIONS → SWITCH INPUTS CONFIGS → HUMSTAT CHANNEL* identifies the normally open or normally closed status of this input at HIGH humidity. The RH Sensor

configuration, *SETTINGS → UNIT CONFIGURATIONS → ANALOG INPUTS CONFIGS → SPRH SENSOR CHANNEL*, identifies the point on the MBB (Main Base board) or the IOB (Input Output board) the sensor was wired into.

### Max Dehum

When the FBD Type is set to (2) Max Dehum, the control will try to satisfy the dehumidification demand. When the unit receives a dehum demand a PID control algorithm will modulate the indoor fan while the compressor is running to maintain minimum suction temperature (FBDH\_SST). With a Y1 and dehum demand, the unit will run the compressor unloaded (48/50LC04-06) or will run the A1 compressor only (48/50LC07-26). With a Y2 and dehum demand, the unit will run with the compressor at full load (48/50LC04-06) or will run with the A2 compressor only (48/50LC07-26). With a Y3 and dehum demand (48/50LC07-26 only), the unit will run both compressors.

### Max Comfort

When the FBD Type is set to (1) Max Comfort, the control will try to satisfy the dehumidification demand and minimize cold air dump. When the unit receives a dehum demand a PID control algorithm will modulate the indoor fan while the compressor is running to maintain the minimum FBD supply air comfort set point (FBDH\_SAT) while also maintaining the minimum suction temperature (FBDH\_SST). With a Y1 and dehum demand, the unit will run the compressor unloaded (48/50LC04-06) or will run the A1 compressor only (48/50LC07-26). With a Y2 and dehum demand, the unit will run with the compressor at full load (48/50LC04-06) or will run with the A2 compressor only (48/50LC07-26). With a Y3 and dehum demand (48/50LC07-26 only), the unit will run both compressors.

### Heating Operation

The 48/50LC unit’s heating operation consists of: demand and mode determination, staging request to satisfy the demand, and handling a request with the unit’s resources. These resources can be gas heat or electric heat. This section covers both gas heat units and electric heat units. The Type of Heat Installed (**UNIT TYPE OF HEAT**) configuration will be factory set to 1 for gas units and 0 for electric heat units. The unit enters a heating mode based on a demand, decides how to satisfy the demand, executes its plan, and then leaves the heating mode.

### Heating Mode Control

The heating HVAC mode (**OPERATING MODE**) has 3 different operating sub modes (**SUBMODE**): HEATING, HEATING PREVENTED, and SHUTTING HEAT OFF. These are all part of a general heating mode and resemble the action heat mode is taking

at any given time. All types of heating are still performed under the general heating function, and the expanded text is for user reference only.

For the unit to be allowed to enter the heat mode, three things must be true: the indoor fan must be ok to use, the mode changeover time guard must be expired, and there must be a heating demand. The unit will remain in heating for at least one minute and until the demand is dropped or if any of the above conditions are false. The heating mode does not officially end until all heat stages are off, the fan off delay has expired, and the IGC fan request is dropped.

### **Supply-Air Temperature Sensor (SAT) Heat Mode**

The SAT Heat Mode Sensing (*SAT DURING HEAT?*) informs the unit that the supply air sensor has been relocated downstream of the heat section. This configuration affects the Supply Air Temperature (*SUPPLY AIR TEMP*) value displayed as listed below.

When *SAT DURING HEAT?* is disabled, the Supply Air Temperature (*SUPPLY AIR TEMP*) value on the SystemVu™ display and the network will hold a zero when heat outputs come ON and for 5 minutes after. The default SAT sensor location is at the fan inlet, upstream of the heat section.

When *SAT DURING HEAT?* is enabled, the Supply Air Temperature (*SUPPLY AIR TEMP*) sensor reading is displayed at the SystemVu controller and network during heating mode. This setting should only be used if the original SAT sensor wires are removed from the Main Base Board (MBB) and replaced by an accessory SAT sensor located in the supply duct downstream of the heat section.

### **Heating Staging Control**

Once the unit is in a heating mode, it determines what the demand is and how to satisfy it. Requested Heating Stages (*REQ. HEAT STAGES*) will be determined then passed to heat control to actually add the heating stages. To request stages the number of heat stages (*HEATING STAGE QTY*) must be greater than zero. As a gas unit this will be set in the factory, however 50LC units may have heat installed as accessories. If the Outdoor Air Temperature (*OUTDOOR AIR TEMP*) is greater than the Heating Lockout Temp (*HEAT LOCKOUT OAT*), all the heat stages will be locked out (*HEAT LOCKOUT*).

There are two ways of requesting stages when thermostat control is enabled, traditional thermostat control or adaptive control. Traditional thermostat control is used if set for non-adaptive thermostat (*ADAPTIVE TSTAT = NO*). If set for adaptive thermostat (*ADAPTIVE TSTAT = YES*), the unit will use adaptive control for staging. When configured for space sensor or RAT control (*UNIT CONTROL TYPE*) the unit will use adaptive control for staging. With either staging method there are then two supply air temperature limits, the Maximum SAT Lower Level (*LOWER MAX SAT*) the Maximum SAT Upper Level (*UPPER MAX SAT*). Any time the supply air temperature rises above lower level the heat staging will be limited to what is currently on and no additional stages will be added until the supply air temperature falls back below the lower level. If the supply air temperature rises above the upper level, then heating will be reduced by removing one stage. That stage will not be added again until the Supply Air Temperature falls below the lower level. If the supply air temperature stays above the upper level, then another stage will be removed. If the upper and lower levels are configured so that they are close together, the last stage of heat might cycle rapidly, slowed only by its minimum on and off-time requirements.

### **Adaptive Control**

Stage timers and Supply air trend apply when determining the request for stages. The first request (*REQ. HEAT STAGES =1*) comes immediately when starting the staging process. The Heat Stage Increase Time (*HEAT STAGEUP TIME*) has to expire and the Supply-Air Trend (*SUPPLY AIR TREND*) has to be above the Heating supply air trend level (*HEAT SATTREND LEV*) before another stage can be added. Requested stages will only be allowed to increase as the actual system demand allows

(*DEMAND*). A “LOW HEAT” will only allow one requested stage and “HIGH HEAT” 2 stages. The requested stages will be reduced if the heating demand is lowered or dropped completely, or if the supply air falls below the lower level (*LOWER MIN SAT*).

### **Traditional Thermostat Control**

Stage timers and Supply air trend do not apply when determining the request for stages. Request staging will follow the thermostat inputs directly. “LOW HEAT” will request one stage. “HIGH HEAT” will request 2 stages.

### **Heat Relay Control**

The heat relay control is responsible for energizing or de-energizing the heat stage relays and works hand and hand with the staging control. As the staging control requests stages, the heat relay control determines what actual heat relays are available or energized and tries to provide stages for what is requested. The availability of heat relays depends on the heat installed, how many stages, and time guards. The Number of Heat Stages (*HEATING STAGE QTY*) configuration tells the control how many heat relays can be used. Heat Stage 1 Timeguard (*HEAT 1 TIMEGUARD*) and Heat Stage 2 Timeguard (*HEAT 2 TIMEGUARD*) display the time a respective heat relay has before it can change state. The available stages at any given time are displayed as heat 1 available and heat 2 available (*HEAT 1 AVAILABLE and HEAT 2 AVAILABLE*). The actual heat relays on at any given time are displayed as Actual Heating Stages (*ACTIVE HEAT STAGE*). Heat Stage 1 Relay (*HEAT 1 RELAY*) and Heat Stage 2 Relay (*HEAT 2 RELAY*) are displayed on when the respective relay is energized. There are time guards to protect from short cycling, Heat Minimum On Time (*HEAT MIN ON*) and Heat Minimum Off Time (*HEAT MIN OFF*) apply before a heat relay can be turned back on or turned off.

### **Integrated Gas Controller (IGC)**

The heat staging is determined as described above and the Integrated Gas Controller (IGC) initiates the gas heat module start-up. The Integrated Gas Controller (IGC) minimum on-time of 1 minute will be followed even if Heat Minimum On Time (*HEAT MIN ON*) is lower and during Service Test. If the IGC temperature limit switch opens within 10 minutes of the end of the gas heat cycle, the next fan off delay will be extended by 15 seconds. The maximum delay is 3 minutes. Once modified by the IGC, the fan off delay will not change back to the configured Fan-off Delay, Gas Heat (*HEAT FANOFF DELAY*) unless power is reset to the control. A light emitting diode (LED) is provided on the IGC to indicate status. During normal operation the LED is continuously on. See the Troubleshooting section if the LED is off or flashing. The IGC is located behind the gas section access panel door.

When the control energizes Heat Stage 1 Relay (*HEAT 1 RELAY*), power is sent to the W terminal on the IGC board. A check is made to ensure that the rollout switch and limit switch are closed. The induced-draft motor is then energized, and when speed is proven with the Flue Gas Pressure switch on the motor, the ignition activation period begins. The burners will ignite within 5 seconds. If the burners do not light, there is a 22-second delay before another 5-second attempt. If the burners still do not light, this sequence is repeated for 15 minutes. After the 15 minutes have elapsed, if the burners still have not lit, heating is locked out. The control will reset when the request for heat is temporarily removed. When ignition occurs the IGC board will continue to monitor the condition of the rollout switch, limit switches, the Flue Gas Pressure switch, as well as the flame sensor. If the unit is controlled through a room thermostat or space sensor set for auto-fan, 45 seconds after ignition occurs the indoor-fan motor will be energized (and the outdoor-air dampers will open to their minimum position). If for some reason the over temperature limit opens prior to the start of the indoor fan blower, on the next attempt, the 45-second delay will be shortened to 5 seconds less than the time from initiation of heat to when the limit tripped. Gas will not be interrupted to the burners and heating will continue. Once modified, the fan on delay will not change back to 45 seconds unless power is reset to the control. When the control energizes Heat Stage 2 Relay

(**HEAT 2 RELAY**), power is supplied to the second stage of the main gas valve. If both stage 1 and stage 2 of the gas valve close, gas will be turned off to the main burners.

## Supply Air Tempering

Supply Air Tempering control operates the gas or electric heat to maintain a minimum supply air temperature during conditions where very cold outdoor air causes the supply air temperature to fall below the configured Supply Air Tempering Setpoint. This occurs during periods where DCV is active and increasing the amount of outdoor air or in cases where the system is operating at very low airflow and the calculated economizer position has increased to maintain a constant ventilation rate.

The user can enable/disable Supply Air Tempering.

The following conditions must be true for the supply air tempering algorithm to operate:

- The SA Tempering is set to Yes (**OK TO SA TEMPER = YES**)
- The indoor fan is on
- The System Mode is in Vent (Ventilation or Supply Fan Only) or IAQ Override.
- The Outdoor Air Temperature < Minimum Cooling SAT 48°F.
- Heat type is gas or electric and Number Of Heat Stages > 0

If all the above are true, the SystemVu™ controller will monitor the SAT sensor value and operate the first stage of heat to temper the supply air as required in order to maintain the configured SA Tempering Setpoint

## Economizer Operation

The Economizer is used for ventilation, and cooling. If the Indoor fan is not on, the economizer will not operate. If an economizer is installed, then Economizer Installed (**ECON INSTALLED = YES**) should be set to YES. The unit produces a 4–20mA signal which is then changed to a 2–10V signal with a 500 ohm resistor, which can control the economizer actuator. The economizer output signal is displayed by the Economizer Commanded Position (**ECON CMD POSITION**). The actuator's built-in 2 to 10VDC feedback signal is read in as an analog input to know the actual position which is displayed as Economizer Actual Position (**ECON ACT POSITION**).

### Minimum Ventilation

The economizer will open to allow ventilation when the indoor fan is turned on and the unit is in the occupied state. The economizer damper position at any given time for ventilation is displayed as the Min Position in Effect (**EFFECTIVE MIN POS**). This minimum position can be effected by the indoor fan speed (FSPD) and indoor air quality. To maintain a constant airflow through the economizer, as the indoor fan speed decreases or increases the damper minimum position will increase or decrease, respectively. This relationship curve is shown in Fig. 19.

**NOTE:** The software point names are used in Fig. 19 as to not clutter the graph. These points are not individually set and therefore only visible from a network for troubleshooting.

These units can also be equipped with optional CO<sub>2</sub> sensors for additional indoor air quality control. When unit is equipped with a return duct CO<sub>2</sub> sensor or return duct CO<sub>2</sub> sensor and outside air CO<sub>2</sub> sensor the Economizer minimum position vs. fan speed curve will be recalculated based on the CO<sub>2</sub> level of the return and/or outside air as shown in Fig. 19. When performing Demand Controlled Ventilation, the damper's Min Position in Effect (**EFFECTIVE MIN POS**) will operate in the shaded area of Fig. 19 based on the IAQ Level (IAQ) and the Commanded Fan Speed (**IDF SPEED OUTPUT**). See the Indoor Air Quality (IAQ) section for more details on Demand Controlled Ventilation (DCV).

The damper position curve can be field adjusted per application if needed.

1. Activate test mode to control the fan and dampers to achieve the correct numbers.
2. Set the fan speed for the maximum amount needed for design CFM requirements. This should also be the IDF maximum Fan speed (**MAXIMUM IDF SPEED**).
3. Open the damper to the position which satisfies the highest ventilation requirement running maximum fan speed, and then set the Economizer minimum at maximum fan speed (**MIN POS @ MAX FAN**) to this damper position.
4. Set the fan speed to a realistic operating speed in the upper range, and then set the User Minimum Position Speed 1 (**MIN POS SPEED 1**) equal to that speed. This should be somewhere in the 80% range.
5. Open the damper to the position which satisfies the highest ventilation requirement running speed 1 fan speed, and then set the User Minimum Position Damper Position 1 (**MIN POS DAMP 1**) to this damper position.
6. Set the fan speed to a realistic operating speed in the mid-range, and then set the User Minimum Position Speed 2 (**MIN POS SPEED 2**) equal to that speed. This should be somewhere in the 60% range.
7. Open the damper to the position which satisfies the highest ventilation requirement running speed 2 fan speed, and then set the User Minimum Position Damper Position 2 (**MIN POS DAMP 2**) to this damper position.
8. Set the fan speed to a realistic operating speed in the low-range, and then set the User Minimum Position Speed 3 (**MIN POS SPEED 3**) equal to that speed. This should be lowest fan speed in planned operating range.
9. Open the damper to the position which satisfies the highest ventilation requirement running speed 3 fan speed, and then set the User Minimum Position Damper Position 3 (**MIN POS DAMP 3**) to this damper position.

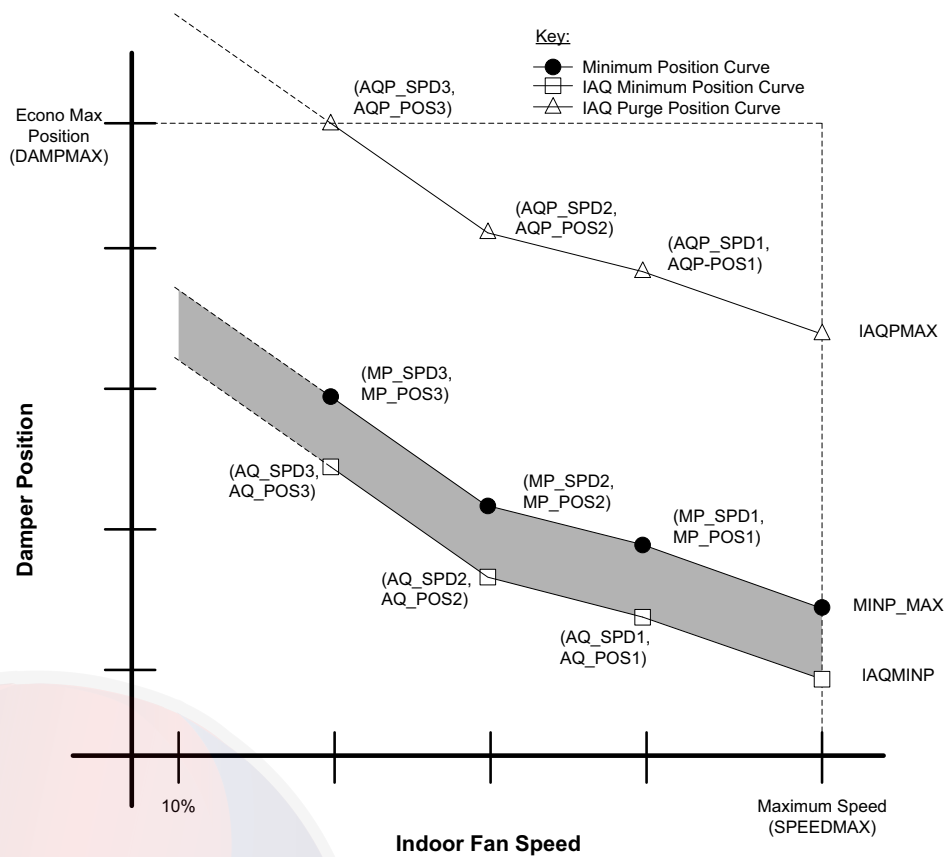
The shape of the curves in Fig. 19 are determined by the configuration parameters: User Minimum Position Speed 1 (**MIN POS SPEED 1**), User Minimum Position Damper Position 1 (**MIN POS DAMP 1**), User Minimum Position Speed 2 (**MIN POS SPEED 2**), User Minimum Position Damper Position 2 (**MIN POS DAMP 2**), User Minimum Position Speed 3 (**MIN POS SPEED 3**), User Minimum Position Damper Position 3 (**MIN POS DAMP 3**), and Economizer minimum at maximum fan speed (**MIN POS @ MAX FAN**). These configurations are preset at the factory of default purposes. The Economizer minimum at maximum fan speed (**MIN POS @ MAX FAN**) should be changed based on the air balance of the unit for proper ventilation.

The user adjustable points discussed above are defaulted to zero from the factory which forces the control to use a set of default points. The default points should not be left for permanent operation, as it may cause inadequate ventilation. Economizer minimum at maximum fan speed (**MIN POS @ MAX FAN**) and at least one set of user points User Minimum Position Speed 1 (**MIN POS SPEED 1**) and User Minimum Position Damper Position 1 (**MIN POS DAMP 1**) should be used to create a linear curve to cover the broad scope of fan operation.

### Free Cooling

The economizer will be enabled for cooling (**OK TO FREE COOL? = Yes**) if the supply air temperature sensor reading is valid, there are no applied lockouts, and economizer is operational. Economizer Operational (**ECON OPERATIONAL?**) indicates if an economizer is installed (**ECON INSTALLED?**) and feedback indicates it is operational. The three economizer lockouts that determine if free cooling should be used to help with cooling are: Dry Bulb Lockout (**DRY BULB LOCKOUT**), Enthalpy Lockout (**ENTHALPY LOCKOUT**), and Unoccupied Free Cooling Lockout (**UFC LOCKOUT?**). Any one of these lockouts will disable economizer free cooling. See below for how each lockout occurs.





**Fig. 19 - Minimum Damper Position Curves**

C14326

When the economizer is available for free cooling (**OK TO FREE COOL? = Yes**) and the compression is not on, the damper will start opening from the damper's minimum Position in Effect (**EFFECTIVE MIN POS**) based on the supply air temperature (**SUPPLY AIR TEMP**) to provide free cooling. A low cooling demand (**DEMAND = LOW COOL**) will utilize the Low Free Cooling SAT Setpoint (**LOW COOL SAT SP**) as the Free Cooling Setpoint (**FREECOOL SAT SP**) to control the economizer. A medium or high cooling demand (**DEMAND = MED COOL** or **HIGH COOL**) will utilize the High Free Cooling SAT Setpoint (**HIGH COOL SAT SP**) as the Free Cooling Setpoint (**FREECOOL SAT SP**) to control the economizer.

During free cooling the fan will start at the dedicated free cooling speed (**FREE COOL IDF SPD**). After the economizer (**ECON CMD POSITION**) reaches 100% (or Max) for 5 minutes, the fan will be changed to the High Cool Speed (**HIGH COOL IDF SPD**). When a high cooling demand (**DEMAND = HIGH COOL**) is active the control will use the High Cool Speed (**HIGH COOL IDF SPD**). The compressor will be allowed for use after the fan and economizer are 100% (or Max) for 5 minutes. Once compression is turned on the economizer and fan will remain at 100% until the call for cooling is removed or until the unit is no longer allowed to free cool (**OK TO FREE COOL = No**).

#### Dry Bulb Lockout

Dry Bulb Lockout (**DRY BULB LOCKOUT**) occurs when any of the following are true:

- The Outdoor Air Temperature (**OUTDOOR AIR TEMP**) is invalid.
- When Differential Dry Bulb Control is disabled (**DIFF DRY BULB CTL = Disable**) and the Outdoor Air Temperature (**OUTDOOR AIR TEMP**) is greater than the configured Free Cooling Maximum Temperature (**FREE COOL MAX OAT**) or less than the configured Free Cooling Minimum Temperature (**FREE COOL MIN OAT**).
- When Differential Dry Bulb Control is enabled (**DIFF DRY BULB CTL = Enable**) and the return air temperature (**RETURN**

**AIR TEMP**) plus the Differential Dry Bulb deadband (**DIFF DB DEADBAND**) is lower than the outdoor air temperature (**OUTDOOR AIR TEMP**).

#### Enthalpy Lockout

The control uses the Outdoor Air Temperature (**OUTDOOR AIR TEMP**), Outdoor Relative Humidity (**OARH LEVEL**), and Barometric Pressure (**BAROMETRIC PRESS**) to calculate the Outdoor Enthalpy (**OUTDOOR ENTHALPY**). The control uses the Return Air Temperature (**RETURN AIR TEMP**), Return Relative Humidity (**RARH LEVEL**), and Barometric Pressure (**BAROMETRIC PRESS**) to calculate the Return Enthalpy (**RETURN ENTHALPY**). Enthalpy Lockout (**ENTHALPY LOCKOUT**) occurs when any of the following are true:

- When Differential Enthalpy Control is disabled (**DIFF ENTHALPY CTL = Disable**) and the outdoor enthalpy (**OUTDOOR ENTHALPY**) is greater than the Maximum Outdoor Enthalpy limit (**ENTHALPY HI LIMIT**).
- When Differential Dry Bulb Control is enabled (**DIFF DRY BULB CTL = Enable**) and the outdoor enthalpy (**OUTDOOR ENTHALPY**) is greater than the return enthalpy (**RETURN ENTHALPY**). The Differential Enthalpy deadband (**ENTHALPY DEADBAND**) is use in the case of unlocking the Enthalpy lockout (**ENTHALPY LOCKOUT**).
- The Enthalpy switch input (**ENTHALPY SWITCH**) is reading high.

#### Unoccupied Free Cooling Lockout

Unoccupied Free Cooling lockout (**UFC LOCKOUT?**) occurs when the unit is in the unoccupied period (**OCCUPIED NOW? = No**) and the Outdoor Air Temperature (**OUTDOOR AIR TEMP**) is less than the Unoccupied Free Cooling low temperature (**UFC LOW TEMP**).

**Unoccupied Free Cooling**

The unoccupied free cooling algorithm attempts to maintain the building space half way between the Occupied Cool Set Point (*OCC COOL SETPOINT*) and Occupied Heat Set Point (*OCC HEAT SETPOINT*) using only the economizer when the conditions in the building and the outdoors are suitable, during unoccupied periods. Three different points define this algorithm: Unoccupied Free Cooling configuration (*WHEN TO UNOCC FC*), Free Cooling Preoccupancy Time configuration (*UFC PREOCC TIME*), and Free cooling allowed (*OK TO FREE COOL?*).

**WHEN TO UNOCC FC = 0 (Disabled)**

Free Cooling will only occur if the space exceeds the unoccupied setpoints.

**WHEN TO UNOCC FC = 1 (Preoccupancy)**

Unoccupied free cooling can only occur when the time until the next occupied period is less than the Unoccupied Free Cool Pre-Occupancy Time (*UFC PREOCC TIME*) in minutes.

**WHEN TO UNOCC FC = 2 (Unoccupied)**

Unoccupied free cooling can occur throughout the entire unoccupied period. The space temperature must be higher then the mid-point between the occupied cooling and heating setpoints.

**Power Exhaust**

Power Exhaust is a function used to assist in the building exhaust air if the barometric relief damper is not enough. It can be one or two motors which can be controlled independently to provide 2 stages of exhaust. These two power exhaust stages are controlled by relays on the Main Base board, and therefore need to be configured on relay channels. To assign the channels set the *PE1 RELAY CHANNEL* and *PE2 RELAY CHANNEL* as needed.

**NOTE:** Factory installed power exhaust is only one channel and is on Relay 06.

When a power exhaust 1 relay channel is configured, the control will create a PE1 curve, example shown in Fig. 20. This curve is created by applying the difference of the power exhaust stage 1 at maximum fan speed (*PE1 POS @ MAX SPD*) and the Economizer minimum at maximum fan speed (*MIN POS @ MAX FAN*) in relationship to the minimum position curve. When a power exhaust 2 relay channel is configured, the control will create a PE2 curve, example shown in Fig. 20. This curve is created by applying the difference of the power exhaust stage 2 at maximum fan speed (*PE2 POS @ MAX SPD*) and the Economizer minimum at maximum fan speed (*MIN POS @ MAX FAN*) in relationship to the minimum position curve.

Power exhaust 1 (*PE1 RELAY*) and power exhaust 2 (*PE2 RELAY*) are controlled using their respective curves as a threshold. When the operating point of the Commanded Fan Speed (*IDF SPEED OUTPUT*) and Economizer Commanded Position (*ECON CMD POSITION*) is above the power exhaust 1 curve, the Power exhaust 1 (*PE1 RELAY*) will be turned on. When the operating point falls below the curve minus the power exhaust turn off deadband (*PE OFF DEADBAND*) the Power exhaust 1 (*PE1 RELAY*) will be turned off. Power exhaust 2 operates the same as Power exhaust 1 except using the PE2 curve.

**Indoor Air Quality (IAQ)**

Indoor air quality is typically measured using a CO<sub>2</sub> sensor whose measurements are displayed in parts per million (ppm). Outdoor air quality may be measured with a CO<sub>2</sub> sensor for indoor-outdoor differential demand ventilation control. The factory-installed indoor air quality CO<sub>2</sub> sensor is mounted in the return section. A field-installed indoor air quality CO<sub>2</sub> sensor may be mounted in the return or in the occupied space. The indoor air quality modes of operation can be affected by the IAQ Analog Input Config (*ANALOG IAQ CTRL*) and other related and limit configurations as described below.

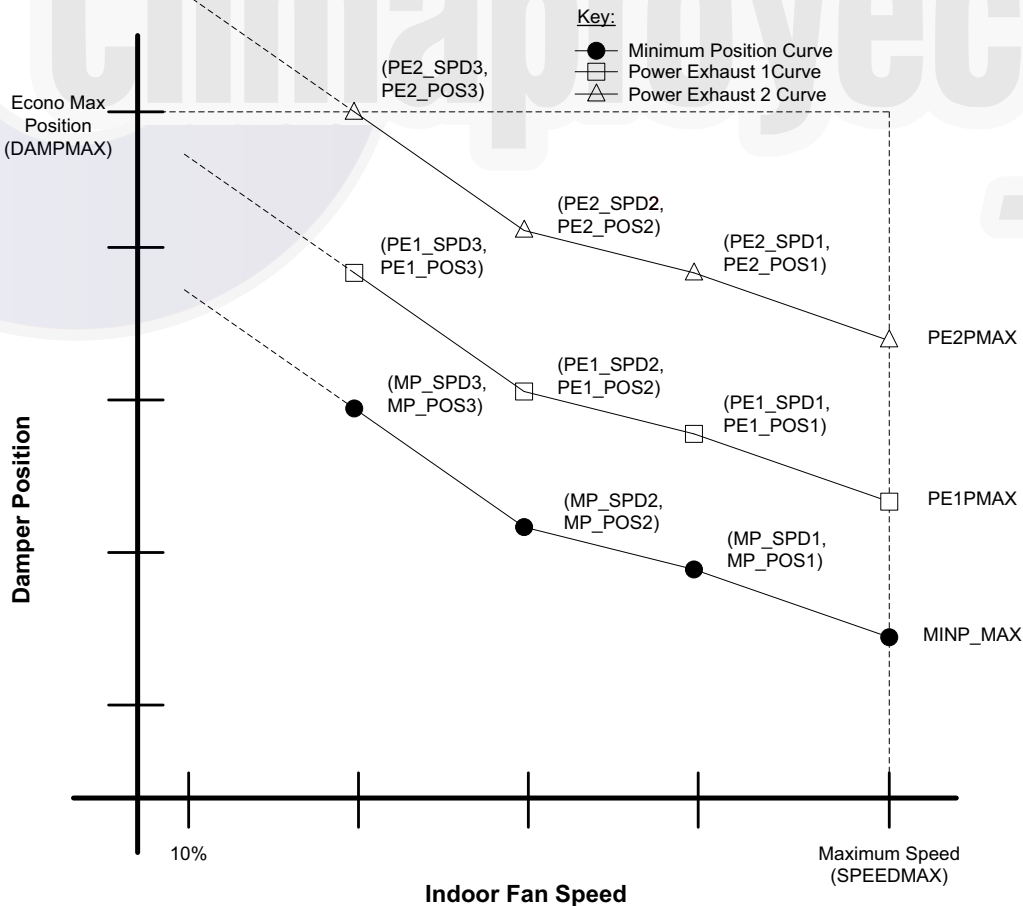


Fig. 20 - Power Exhaust Operation Curves

## IAQ (Analog Input)

When IAQ assigned channel (*IAQ SENSOR CHAN*) is set for an analog input that input channel will be mapped to the Indoor Air Quality (*IAQ LEVEL*). The control is configured for indoor air quality sensors which provide 4 to 20 mA signal for 0 to 2000 ppm CO<sub>2</sub>. If the sensor being used has a different range, the ppm display range must be reconfigured by entering new values for the IAQ Sensor Value at 4mA (*IAQ PPM @ 4MA*) and IAQ Sensor Value at 20mA (*IAQ PPM @ 20MA*).

### ANALOG IAQ CTRL = 0 (No IAQ)

This signifies that there is no IAQ sensor installed. The economizer damper will operate based on the minimum position curve.

### ANALOG IAQ CTRL = 1 (DCV)

During Demand Controlled Ventilation (DCV), the damper modulates on or between two ventilation curves depending upon the difference between the Indoor Air Quality (*IAQ LEVEL*) and the Outdoor Air Quality (*OAQ LEVEL*). The lower of these two curves is referred to as the IAQ Minimum Position Curve, and the higher curve is the Minimum Position curve discussed in the Minimum Ventilation section under Economizer Operation. Refer to that section on how the minimum Position curve is created. See Example Curves in Fig 19.

The IAQ Minimum Position curve is created by applying the difference of the IAQ position at maximum fan speed (*IAQ POS @ MAX SPD*) and the Economizer minimum at maximum fan speed (*MIN POS @ MAX FAN*) in relationship to the minimum position curve. The IAQ position at maximum fan speed (*IAQ POS @ MAX SPD*) should be set to an economizer position that brings in enough fresh air to remove contaminants and CO<sub>2</sub> generated by sources other than people. The Economizer minimum at maximum fan speed (*MIN POS @ MAX FAN*) should be set to an economizer position that brings in fresh air to remove contaminants and CO<sub>2</sub> generated by all sources including people when the indoor fan is operating at the IDF Maximum Fan Speed (*MAXIMUM IDF SPEED*). The Economizer minimum at maximum fan speed (*MIN POS @ MAX FAN*) value is the design value for maximum occupancy.

The economizer Min Position in Effect (*EFFECTIVE MIN POS*) will follow the IAQ Minimum Position curve while the Indoor Air Quality level (*IAQ LEVEL*) is less than the Outdoor Air Quality Level (*OAQ LEVEL*). The control will begin to open the damper more than the IAQ Minimum Position curve when the IAQ level begins to exceed the OAQ level by a configurable amount. This amount is referred to as AQ Differential Low (*LOW AIR.Q DIFF*). When the differential between IAQ and OAQ reaches AQ Differential High (*HIGH AIR.Q DIFF*), the economizer Min Position in Effect (*EFFECTIVE MIN POS*) will follow the Minimum Position Curve. When the IAQ/OAQ differential is between AQ Differential Low (*LOW AIR.Q DIFF*) and AQ Differential High (*HIGH AIR.Q DIFF*), the control will modulate the damper between the IAQ Minimum Position Curve and the Minimum Position Curve in a linear manner as shown as the shaded area in Fig. 19. As a simple example Fig. 21 shows the Min Position in Effect (*EFFECTIVE MIN POS*) relationship while the Commanded Fan Speed (*ECON CMD POSITION*) is held at the maximum speed.

### ANALOG IAQ CTRL = 2 (Override IAQ)

Override IAQ is reserved for a future release.

### ANALOG IAQ CTRL = 3 (Control Minimum Position)

An external 4 to 20 mA source is used to set the Min Position in Effect (*EFFECTIVE MIN POS*). The 4mA signal corresponds to 0% and the 20 mA signal corresponds to 100%. In this mode, configuration such as Economizer minimum at maximum fan speed (*MIN POS @ MAX FAN*), IAQ position at maximum fan speed (*IAQ POS @ MAX SPD*) and the economizer minimum position and DCV minimum position curves in Fig. 19 and Fig. 21 are not used. If the indoor fan is not operating, the economizer

position will be zero. The actual damper position may exceed the economizer Min Position in Effect (*EFFECTIVE MIN POS*) to provide economizer cooling.

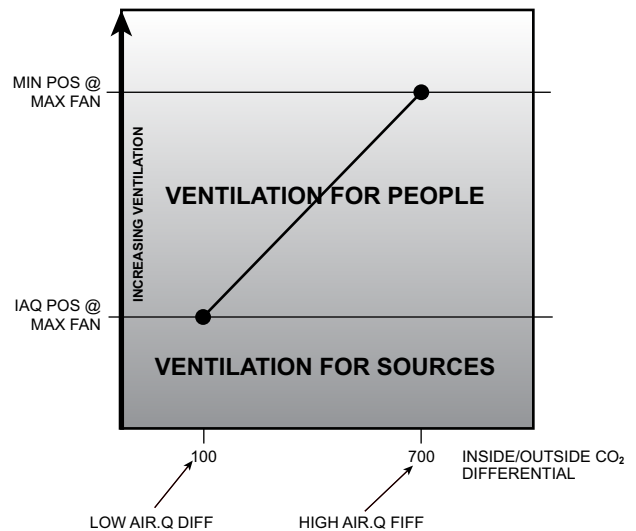


Fig. 21 - Example

C14328

## Outdoor Air Quality (Analog Input)

The default for the Outdoor Air Quality (*OAQ LEVEL*) is 400 ppm CO<sub>2</sub> when the OAQ sensor is not assigned an input channel. When OAQ Assigned channel (*OAQ SENSOR CHAN*) is set for an analog input that input channel will be mapped to the Outdoor Air Quality (*OAQ LEVEL*). The outdoor air quality sensor provides a 4 to 20 mA signal corresponding to 0 to 2000 ppm CO<sub>2</sub>. If a field supplied sensor has a different range, the ppm display range must be reconfigured by entering new values for the OAQ Sensor Value at 4mA (*OAQ PPM @ 4MA*) and OAQ Sensor Value at 20mA (*OAQ PPM @ 20MA*).

## Pre-occupancy Purge

The control has the option for a pre-occupancy purge to refresh the air in the space prior to occupancy. This feature is enabled by setting *PREOCC PURGE ENBL* to Yes. This function is also referred to as the IAQ purge function.

The IAQ Purge will operate under the following conditions:

- Purge is enabled
- the unit is in the unoccupied state
- Current Time is valid
- Next Occupied Time is valid
- time is one hour prior to next occupied period
- the OAT is greater than the lockout (*PREOCC LOW LIMIT*)

The IAQ Purge Position curve is created by applying the difference of the IAQ purge position at maximum fan speed (*PURGE POS @ MAX*) and the Economizer minimum at maximum fan speed (*MIN POS @ MAX FAN*) in relationship to the minimum position curve. The IAQ purge position at maximum fan speed (*PURGE POS @ MAX*) should be set to an economizer position that brings in enough fresh air over an hour period to remove contaminants and CO<sub>2</sub> during the unoccupied period. When the pre-occupancy purge function is active (*IN PREOCC PURGE?*), the economizer Min Position in Effect (*EFFECTIVE MIN POS*) will follow the IAQ Purge Position curve.

## Temperature Compensated Start

Space control set points are usually set to 2 different levels for unoccupied period and occupied period. Unoccupied set points saves energy, while occupied set points provide occupant comfort. The time period it takes for the RTU to bring the space from its current condition in unoccupied mode to its occupied set point is

referred to as start bias time, or bias time. The algorithm to calculate this bias time is called Temperature Compensated Start. This is required for ASHRAE 90.1 compliance. When temperature compensated start is running (*TCS ACTIVE?*) the control uses the occupied set points to control the space.

When Temperature compensated start is enabled (*ADAPTIVE TCS?*), no other configuration parameters are needed for this algorithm, because the algorithm will automatically adjust the Bias Time based on the data collected during the period of last time optimal start. The inputs to the calculation algorithm includes space temperature, unoccupied set points, occupied set points, outdoor air temperature, and supply air temperature. Bias time is changed dynamically per RTU operation.

When Temperature compensated start is disabled (*ADAPTIVE TCS?*), the control will use the User Temperature compensated Start bias time (*USER TCS BIASTIME*) in determining when to start controlling to the occupied set points. If the User Temperature compensated Start bias time (*USER TCS BIASTIME*) is set to zero, the control will switch to the occupied setpoints at the time of occupancy.

### Linkage

The SystemVu™ controller will support 3V™, VAV and VVT® zoning system on a CCN system or Open VVT and VAV systems on a BACnet MS/TP System. All that is required is to configure the Open or 3V Master zone to use the SystemVu rooftop unit as its airtsource. The SystemVu control will need to be configured for the proper network protocol (*BAS PROTOCOL*) and set for Space Sensor Control (*UNIT CTRL TYPE*). The SystemVu controller will reply to the zoning system and change its operating parameters to meet the demand of the zoning system. Status of this process can be viewed in the airtside linkage tab of the property pages in the i-Vu® application or by viewing the linkage maintenance table with a CCN tool.

### Carrier Comfort Network® (CCN) Operation

The SystemVu controller can be configured to connect to a CCN system. The SystemVu controller has one RS-485 BMS port that can be configured from the local display for BACnet or CCN. The BMS configuration parameters can be found in the *SETTINGS→NETWORK SETTINGS* submenu. The first configuration is the BMS system for CCN systems change this configuration from BACnet to CCN then set the CCN BAUD rate, the bus and element number and you will be able to find the controller with any CCN tool then upload the CCN tables in the controller for use by the tool.

### BACnet Network Operation

The SystemVu™ controller is ready to connect to BACnet. The SystemVu controller has one RS-485 BMS port that can be configured from the local display for BACnet or CCN. The default setting is BACnet and the Default BACnet Baud rate is 76800. These setting are found on the *SETTINGS→NETWORK SETTINGS* sub menu of the local display. There are four other settings for i-Vu compatibility and for setting the device ID and MAC address of the controller. See the table below for assistance.

Before connecting to the BACnet system determine the system requirements and use the following guide to configure the BACnet settings. Then power the controller down, connect to the BACnet MS/TP network and you are ready to discover your controller.

For i-Vu® systems with auto addressing desired the controller is already set with the defaults from the factory ready to connect to this type of system; just set the MAC address of the controller from 0 to 99 and then power down and connect to the network. The router will find and send the network number to the controller and the controller will set it device ID with the network base appended by the Mac address.

For i-Vu and other BACnet systems when it is required to send the device ID to the controller change the ALC/i-Vu auto ID scheme to no and set the MAC address from 0 to 99 like before. Then connect to

the network and write the device ID to the controller at the MAC address you set. The controller will accept and retain the device ID written to the device Id property of the object ID.

To manually set the device ID from the local display set the BACnet auto/manual to manual. This allows use of the full range of 1 to 127 for the MAC address and set the device ID in the BACnet ID selection of the local display. It can only be set from the local display and will not accept a write to the device ID property in the object ID.

BACnet ID Auto/Manual	i-Vu Auto Scheme	How Device is derived	MAC range
Manual	ON or OFF	Local display BACnet Id-BACnet Writes not allowed	0-127
Auto	OFF	Device Id Prefix + Mac - BACnet writes allowed	0-99
Auto	ON	Device Id Prefix + MAC (prefix updated by color cache) - BACnet writes not allowed	0-99

### Alarm Handling

There are a variety of different alerts and faults in the system, the term alarm is used to reference alerts and faults. Alerts are indicated by AXXX (where XXX is the alert number) on the display and generally signify a warning of some sort or the improperly functioning circuit can restart without human interaction. If an fault occurs, indicated by FXXX (where XXX is the fault number), a major function of the unit is inoperable or the damaged circuit will generally not restart without an alarm reset via the display or CCN.

The response of the control system to various alerts and faults depends on the seriousness of the particular alert or fault. In the mildest case, an alert does not affect the operation of the unit in any manner. An alert can also cause a “strike.” A “striking” alert will cause the circuit to shut down for 15 minutes. This feature reduces the likelihood of false alarms causing a properly working system to be shut down incorrectly. If three strikes occur before the circuit has an opportunity to show that it can function properly, the circuit will strike out, causing the shutdown fault for that particular circuit. Once activated, the shutdown fault can only be cleared via an alarm reset.

However, circuits with strikes will be given an opportunity to reset their strike counter to zero. As discussed above, a strike typically causes the circuit to shut down. Fifteen minutes later, that circuit will once again be allowed to run. If the “troubled” circuit runs continuously for a user defined time (*SETTINGS→UNIT CONFIGURATIONS→COOLING→STRIKE CLEAR TIME*) with no detectable problems the strike counter will be reset to zero. Default value is 5 minutes.

### Alarm Relay Output

The alarm relay output is a configurable normally open 24-VAC output defaulted to relay 11 on the Main Base Board (MBB) TB2 connector. Selection of which alerts and faults will result in closing of the alarm relay may be set in the Alarm Relay Configuration (*SETTINGS →UNIT CONFIGURATIONS→ALARM RELAY*). Setting a configuration to YES will result in the alarm output relay to energize when that particular condition is in an alarm state. Setting a configuration to NO will result in no action by the alarm output relay for that particular condition.

**NOTE:** An accessory filter switch can be used along with the alarm relay output function to indicate dirty filter service need. See the Troubleshooting section for more information on viewing, diagnosing, and clearing alerts and alarms.

## TROUBLESHOOTING

The SystemVu™ display shows actual operating conditions of the unit while it is running. If there are alarms or there have been alarms, they will be displayed in either the active faults, active alerts, or the history alarm list (see Table 13 starting on page 34). Service Test mode allows proper operation of the compressors, fans, and other components to be checked while the unit is not operating. See Service Test (on page 11).

## Complete Unit Stoppage

There are several conditions that can cause a complete unit stoppage, including:

- A fault is active which causes the unit to shut down.
- Cooling and heating loads are satisfied.
- Programmed occupancy schedule.
- General power failure.
- Tripped 24-volt transformer circuit breakers.
- Blown fuse or circuit breakers
- Unit is turned off through the network.

## Restart Procedure

Before attempting to restart the machine, check the faults and alerts list to determine the cause of the shut down. If the shutdown fault for a particular control function has occurred, determine and correct the cause before allowing the unit to run under its own control again. When there is problem, the unit should be diagnosed in Service Test mode. The faults must be reset before the control function can operate in either Normal mode or Service Test mode.

## Faults and Alerts

### Viewing and Clearing Unit Alarms

Presence of active alarms will be indicated on the SystemVu display by the Alarm Status lights. When alerts are active the yellow "ALERT" light will be lit. When faults are active the red "FAULT" light will be lit. When the unit is operational, then green "RUN" light will be lit. The SystemVu controller standby screen will be updated with the active alarms for easy access. Presence of active alarms may also be signaled on the Alarm Output terminals. Each alarm may also be broadcast on the CCN network. Active alarms and past alarm history can be reviewed and cleared via the local display or a network device. The following menu locations are used for the local display:

**ACTIVE FAULTS** - Displays the list of active faults in order of occurrence.

**ACTIVE ALERTS** - Displays the list of active alerts in order of occurrence.

**HISTORY** - Displays the list of active and previously active faults and alerts in order of occurrence with time and date.

**RESET FAULTS/ALERTS** - User command to manually reset faults and alerts.

Each alarm can have up to 3 data points stamped along with date and time to assist in troubleshooting. Pressing ENTER on the alarm or expanded screen will provide these data points.

### Diagnostic Alarm Codes and Possible Causes

#### **Fault F010 – MBB LOW VOLTAGE**

This fault occurs when the MBB supply voltages falls below 17 volts AC. When this occurs the control will shut down the unit. This will automatically clear when the supply voltage rises above 19 volts AC. The cause of this fault is usually a brownout condition, low supply voltage, or supply power missing a phase.

#### **Fault F011 – MBB REFERENCE VOLTAGE**

This fault occurs when the MBB internal microprocessor's DC reference voltages is out of range. When this occurs the control will shut down the unit. This will automatically clear when the DC reference voltage goes back in range. The cause of this fault is usually a MBB failure or supply voltage out of range.

#### **Alert A012 – MBB ZERO CROSSING**

This fault occurs when the MBB supply voltage frequency is out of range. When this occurs the control will issue an alert. This will automatically clear when the supply voltage goes back in range. The cause of this fault is usually a MBB failure or supply voltage frequency to high or to low.

#### **Fault F013 – MBB FUSE 2 OPEN**

This fault occurs when the MBB's internal fuse number 2 exceeds threshold temperature. When this occurs the control will shut down

the unit. This will automatically clear when the fuse temperature gets back in range. The cause of this fault is usually a switch input has a wiring error (short) or the switch pulled too much current. Discrete input number 2, Fire Shutdown input, and the IGC fan request are connected to fuse 2.

#### **Fault F014 – MBB FUSE 3 OPEN**

This fault occurs when the MBB's internal fuse number 3 exceeds threshold temperature. When this occurs the control will shut down the unit. This will automatically clear when the fuse temperature gets back in range. The cause of this fault is usually a switch input has a wiring error (short) or the switch pulled too much current. Configurable discrete input numbers 12, 13, and 14 are connected to fuse 3.

#### **Alert A015 – MBB RNET VOLTAGE RANGE**

This fault occurs when the MBB's Rnet 12 volt output is out of range. When this occurs the control will issue an alert, and any accessory connected to the Rnet plug may not operate properly. This will automatically clear when the voltage goes back in range. The cause of this fault is usually a MBB failure or supply voltage out of range.

#### **Alert A016 – MBB 24VDC RANGE**

This fault occurs when the MBB's 24vdc output falls below 17 volts DC. When this occurs the control will put the Analog Input number's 6, 7, and 8 into error state. This will automatically clear when the voltage rises above 19 volts DC. The cause of this fault is usually a MBB failure or supply voltage out of range.

#### **Alert A017 – MBB 5VDC RANGE**

This fault occurs when the MBB's 5vdc output falls below 4.5 volts DC. When this occurs the control will put the Transducer inputs into error state. This will automatically clear when the voltage rises above 4.5 volts DC. The cause of this fault is usually a MBB failure or supply voltage out of range.

#### **Fault F018 – MBB EEPROM FAILURE**

The unit will completely shut down. The serial EEPROM chip on the MBB which stores the unit's configuration is not responding. Recovery is automatic but MBB board replacement may be necessary. Cycling the power to the control should be tried before board replacement.

#### **Alert A019 – MBB CLOCK FAILURE**

The alert occurs when the RTC clock chip on the MBB is not responding. Time and date functions will not operate, such as local occupancy schedules. The unit will default to 24/7 unoccupied mode. Recovery is automatic but MBB board replacement may be necessary. Cycling power to the control and reconfiguring the time and date should be tried before board replacement.

#### **Fault F020 – SOFTWARE ERROR**

The unit will completely shut down. The software on the MBB is not responding. Recovery is automatic if the software is able to reset the board but software change may be necessary. Cycling the power to the control should be tried before board replacement.

#### **Alert A099 - COMM LOSS WITH SIOB**

This alert occurs when there has been a loss of communication with the IO Board on the LEN bus. Any sensor inputs from the board will be ignored and outputs will no longer be controlled.

#### **Alert A100 – SAT SENSOR FAILURE**

This alert occurs when the fan supply temperature sensor is in an error state. Economizer cooling cannot occur while this alert is active. The unit will not be able to honor SAT limits. This alert resets automatically. The cause of the alert is usually a faulty thermistor, a shorted or open thermistor caused by a wiring error, or a loose connection.

#### **Alert A101 – FST SENSOR RANGE**

This alert occurs when the fan supply temperature sensor is outside the range -40°F to 245°F (-40°C to 116°C). This alert resets automatically. The cause of the alert is usually a faulty thermistor, a

shorted or open thermistor caused by a wiring error, or a loose connection.

**Alert A102 – FST OPEN SENSOR**

This alert occurs when the fan supply temperature sensor reads as an open circuit. This alert resets automatically. The cause of the alert is usually a faulty thermistor or an open thermistor caused by a wiring error, or a loose connection.

**Alert A103 – FST SHORTED SENSOR**

This alert occurs when the fan supply temperature sensor reads as a short circuit. This alert resets automatically. The cause of the alert is usually a faulty thermistor or a shorted thermistor caused by a wiring error, or a loose connection.

**Alert A104 – OAT SENSOR RANGE**

This alert occurs when the outdoor air temperature is outside the range –40°F to 245°F (–40°C to 116°C). All ambient temperature lockout limits for cooling and heating are ignored. All cooling control logic will assume OAT is high. For economizer equipped units, the economizer will not operate to provide cooling. The economizer will still operate for ventilation. The control will use normal operation for outdoor fan control. For units with CCH crankcase heat relay control, the crankcase heat relay will be turned on if any compressor is off. This alert resets automatically. The cause of the alert is usually a faulty thermistor, a shorted or open thermistor caused by a wiring error, or a loose connection.

**Alert A105 – OAT OPEN SENSOR**

See Alert A104

**Alert A106 – OAT SHORTED SENSOR**

See Alert A104

**Alert A107 – RAT SENSOR RANGE**

This alert occurs when the return air temperature is outside the range –40°F to 245°F (–40°C to 116°C). Differential dry bulb crossover control can not occur. Free cooling can only be controlled by the OAT and enthalpy switch. The economizer mechanically disconnected alert will not be diagnosed. This alert resets automatically. The cause of the alert is usually a faulty thermistor, a shorted or open thermistor caused by a wiring error, or a loose connection.

**Alert A108 – RAT OPEN SENSOR**

See Alert A107

**Alert A109 – RAT SHORTED SENSOR**

See Alert A107

**Alert A110 – SPT SENSOR RANGE**

This alert occurs when the temperature is outside the range –40°F to 245°F (–40°C to 116°C). Cooling and heating will not operate. For economizer equipped units, the economizer will still operate for ventilation. This alert resets automatically. The cause of the alert is usually a faulty thermistor in the T-55, T-56, or T-58 device, a shorted or open thermistor caused by a wiring error, or a loose connection.

**Alert A111 – SPT OPEN SENSOR**

See Alert A110

**Alert A112 – SPT SHORTED SENSOR**

See Alert A110

**Alert A130 – CIR.A SSP SENSOR RANGE**

This alert occurs when the pressure is outside the range –6.7 to 420 psig. A circuit cannot run when this alert is active. The cause of the alert is usually a faulty transducer, faulty 5-v power supply, or a loose connection. Use the transducer voltage drop table to determine where the error is introduced.

**Alert A131 – CIR.A SSP OPEN SENSOR**

See Alert A130

**Alert A132 – CIR.A SSP SHORT SENSOR**

See Alert A130

**Alert A133 – CIR.A SDP SENSOR RANGE**

This alert occurs when the pressure is outside the range 14.5 to 667 psig. A circuit cannot run when this alert is active. The cause of the alert is usually a faulty transducer, faulty 5-v power supply, or a loose connection. Use the transducer voltage drop table to determine where the error is introduced.

**Alert A134 – CIR.A SDP OPEN SENSOR**

See Alert A130

**Alert A135 – CIR.A SDP SHORT SENSOR**

See Alert A130

**Alert 150 – OACFM OPEN SENSOR**

This alert occurs when the Outdoor Air CFM sensor input is 0 mA and the sensor is configured and installed. Check sensor and wiring. This alert clears automatically.

**Alert 151 – OACFM SHORTED SENSOR**

This alert occurs when the Outdoor Air CFM sensor input shorted and the sensor is configured as installed. Check sensor and wiring. This alert clears automatically.

**Alert A160 – OARH OPEN SENSOR**

This alert occurs when the Outdoor Air Relative Humidity sensor input is 0 mA and the sensor is configured as installed. Outside Air Enthalpy cannot be calculated therefore no enthalpy crossover can be used and only dry bulb will be used in determining free cooling. Check sensor and wiring. This alert clears automatically.

**Alert A161 – OARH SHORTED SENSOR**

This alert occurs when the Outdoor Air Relative Humidity sensor input shorted and the sensor is configured as installed. Outside Air Enthalpy cannot be calculated therefore no enthalpy crossover can be used and only dry bulb will be used in determining free cooling. Check sensor and wiring. This alert clears automatically.

**Alert A162 – RARH OPEN SENSOR**

This alert occurs when the Return Air Relative Humidity sensor input is 0 mA and the sensor is configured as installed. Return Air Enthalpy cannot be calculated therefore no differential enthalpy crossover can be used. Dry bulb and single enthalpy will be used in determining free cooling. Check sensor and wiring. This alert clears automatically.

**Alert A163 – RARH SHORTED SENSOR**

This alert occurs when the Return Air Relative Humidity sensor input shorted and the sensor is configured as installed. Return Air Enthalpy cannot be calculated therefore no differential enthalpy crossover can be used. Dry bulb and single enthalpy will be used in determining free cooling. Check sensor and wiring. This alert clears automatically.

**Alert A164 – IAQ OPEN SENSOR**

This alert occurs when the IAQ input is 0 mA and the sensor is configured as installed. IAQ operation will be disabled. Check sensor and wiring. This alert clears automatically.

**Alert A165 – IAQ SHORTED SENSOR**

This alert occurs when the IAQ input is shorted and the sensor is configured as installed. IAQ operation will be disabled. Check sensor and wiring. This alert clears automatically.

**Alert A166 – OAQ OPEN SENSOR**

This alert occurs when the OAQ input is 0 mA and the sensor is configured as installed. OAQ operation will be disabled. Check sensor and wiring. This alert clears automatically.

**Alert A167 – OAQ SHORTED SENSOR**

This alert occurs when the OAQ input is shorted and the sensor is configured as installed. OAQ operation will be disabled. Check sensor and wiring. This alert clears automatically.

**Alert A168 – SPACE RELATIVE HUMIDITY OPEN SENSOR**

This alert occurs when the SPRH input is 0 mA and the sensor is configured as installed. Check sensor and wiring. This alert clears automatically.

**Alert A169 – SPACE HUMIDITY SHORTED SENSOR**

This alert occurs when the SPRH input is shorted and the sensor is configured as installed. Check sensor and wiring. This alert clears automatically.

**Alert A170 – ECON FEEDBACK RANGE**

This alert occurs when the Economizer analog feedback signal is outside the range of 1.3vdc to 10.3vdc and the feedback is configured to use. A short is 10.5vdc and an open circuit is less than 0.1vdc. Economizer diagnostics operation will be disabled. This is usually caused by a wiring problem, actuator failure, or the wrong actuator. Investigate using the Low Voltage Schematic; make sure the feedback signal from the actuator is correct. This alert clears automatically.

**Alert A171 – ECON FEEDBACK OPEN**

See Alert A170

**Alert A172 – ECON FEEDBACK SHORTED**

See Alert A170

**Alert A190 – TSTAT HEAT/COOL CALLS**

This alert occurs in Thermostat mode when Y1, Y2, or Y3 is energized simultaneously with W1 or W2. Verify thermostat and thermostat wiring. The software will enter either the cooling or heating mode depending upon which input turned on first. This alert resets automatically when Y1, Y2, and Y3 are not on simultaneously with W1 and W2.

**Alert A191 – TSTAT IMPROPER COOL**

This alert occurs in Thermostat mode when Y2 or Y3 is energized and Y1 is not. Verify thermostat and thermostat wiring. When this occurs the control will treat the inputs as a number instead of specific input. Example a Y2 and Y3 would mean 2 cooling inputs so the control would treat that as a Y1 and Y2 was active. This alert resets automatically when Y1 is turned On.

**Alert A192 – TSTAT IMPROPER HEAT**

This alert occurs in Thermostat mode when W2 is energized and W1 is not. Verify thermostat and thermostat wiring. When W2 turns On, the software will behave as if W1 and W2 are both On. When W2 turns Off, the software will behave as if W1 and W2 are both Off. This alert resets automatically when W1 is turned On.

**Fault F200 – FIRE SHUTDOWN**

This fault occurs when the fire shutdown input is either open or closed depending upon its configuration. This fault is usually caused by an auxiliary device that is trying to shut down the unit, e.g., smoke detector. This will cause a unit shutdown condition. Verify that the configuration is set correct, verify the wiring and auxiliary device. This fault resets automatically.

**Fault F201 – CONDENSATE OVERFLOW**

This fault occurs when the COFS input is either open or closed depending upon its configuration. This fault is usually caused by water reaching a high level in the drain pan. This will cause a cooling lockout. Verify that the configuration is set correct, verify the wiring and auxiliary device. This fault resets automatically.

**Alert A203 – DIRTY FILTER**

This alert occurs when the Filter Status switch senses a plugged filter for 5 continuous seconds after the indoor fan has been running for 10 seconds or if the fan has run for longer than the change filter time. Because the Dirty Air Filter switch can be configured normally opened or closed, the switch might be open or closed. Verify that the configurations are set correct, verify the wiring and filter status switch. The hose should be connected to the low side of the switch. The alert resets automatically if it was tripped due to the filter switch. If the alert is tripped because of the timer, it will need to be reset after the filter has been replaced or

inspected. Rest the time with the *RESET FILTER TIME* point is located under *RUN STATUS → GENERAL or INPUTS → GENERAL INPUTS*.

**Fault F204 – REMOTE SHUTDOWN**

This fault occurs when the remote shutdown input is either open or closed depending upon its configuration and configured to set a fault. This fault is usually caused by an auxiliary emergency device that is trying to shut down the unit. This will cause a unit shutdown condition. Verify that the configuration is set correct, verify the wiring and auxiliary device. This fault resets automatically.

**Alert A210 – GENERAL STATUS**

This alert occurs when the general status input is either open or closed depending upon its configuration and configured to set a alert. This alert is usually caused by an auxiliary switch device that is trying to send a warning about the unit. Verify that the configuration is set correct, verify the wiring and auxiliary device. This alert resets automatically.

**Fault F211 – GENERAL STATUS**

This fault occurs when the general status input is either open or closed depending upon its configuration and configured to set a fault. This fault is usually caused by an auxiliary switch device that is trying to shut down the unit. This will cause a unit shutdown condition. Verify that the configuration is set correct, verify the wiring and auxiliary device. This fault resets automatically.

**Fault F310 – CIRA DOWN DUE TO FAIL**

This fault occurs when both compressors on circuit A have 3 strikes. Investigate the alerts that caused the strikes to occur, and correct or test as needed. Manual alarm reset or power cycle is required to rest this fault.

**Fault F311 – CIRA LOW CHARGE**

This alert occurs when the compressors are off and both the discharge and suction pressure are less than the low charge level (*LOW CHARGE LEVEL*) and OAT is greater than the low charge limit (*NO LOW CHARGE OAT*). The cause of the alert is usually low refrigerant pressure or faulty pressure transducers. This alert only occurs when the compressor is OFF because the low refrigerant pressure alert will handle this situation when the compressor is operating. Manual alarm reset or power cycle is required to rest this fault.

**Alert A312 – CIR.A UNEXPECTED OFF**

These alerts occur when the suction pressure raises the configured amount and the pressure ratio drop the configured amount both in a 10 second window during compressor operation. When this occurs, the control turns off the compressors and logs a strike for which compressor that was on. This alerts reset automatically. The possible causes are: high-pressure switch (HPS) open (The HPS is wired in series with compressor relays on the MBB), compressor internal protection is open, or a wiring error (a wiring error might not allow the compressor to start).

**Alert A313 – CIR.A HIGH DISCHARGE**

This alert occurs when the discharge pressure is greater than the configured *CIRA SDP LIMIT* amount. This alert resets automatically when the pressure falls 20 psig below the threshold. When running both compressors the control will remove A1 and add a strike to it. The control will also set the ODFs to the high cool speed. The cause of the alert is usually an overcharged system, high outdoor ambient temperature coupled with dirty outdoor coil, plugged filter drier, or ODF speeds being set too low.

**Alert A314 – CIR.A HPS TRIP**

This alert occurs when the discharge high pressure switch opens. This alert resets automatically when the pressure falls below the switch threshold and the switch closes for 3 minutes. The control will add a strike for which ever compressors were on. The control will also set the ODFs to the high cool speed. The cause of the alert is usually an overcharged system, high outdoor ambient

temperature coupled with dirty outdoor coil, plugged filter drier, or ODF speeds being set too low.

#### **Alert A315 – CIR.A LOW DISCHARGE**

This alert occurs when the discharge pressure is less than the OAT plus the configured *LOW DISCHARGE LEV* amount. This alert resets automatically. The control will add a strike for which ever compressors were on. The cause of the alert is usually an undercharged system, low outdoor ambient temperature coupled with dirty outdoor coil, plugged filter drier, or ODF speeds being set too high.

#### **Alert A316 – CIR.A LOW SUCTION**

This alert occurs when the compressor is operating and the evaporating temperature (converted from the suction pressure) is less than configured low suction control levels, *LOW SUC LEVEL 1*, *LOW SUC LEVEL2*, or *LOW SUC LEVEL3*. The circuit SST value must be less than *LOW SUC LEVEL 1* (for 5 minutes), *LOW SUC LEVEL 2* (for 4 minutes), or *LOW SUC LEVEL 3* (for 3 minutes when using the economizer and 1.5 minutes when not using the economizer) for the alert to occur. When the outdoor temperature is less than 40°F, the above values are reduced 1°F for every 2°F OAT is below 40°F. All the above timers will reset if the suction temperature rises above *LOW SUC OK TEMP* for 1 minute. This alert causes a strike for the respective circuit. This alert will activate when the coil becomes frosted. However, during the 15-minute reset period, the coils will thaw and strike should clear and restart if there is nothing else wrong with the circuit. The alert resets automatically. The cause of the alert is usually low refrigerant charge, dirty filters, evaporator fan operating backwards, loose or broken belt, plugged filter drier, faulty transducer, excessively cold return air, or stuck open economizer when the ambient temperature is low.

#### **Alert A317 – CIR.A LOW DISCHARGE**

This alert occurs when the Circuit A pressure ratio is less than the configured *MIN PRESSURE RATIO* amount. This alert resets automatically. The control will add a strike for which ever compressors were on. The cause of the alert is usually an undercharged system, low outdoor ambient temperature coupled with dirty outdoor coil, plugged filter drier, or ODF speeds being set too high.

#### **Fault F318 – COMPRESSOR STUCK ON**

This alert occurs when the Suction pressure does not raise the minimum suction amount (*CIR.A MIN SUC.P*) and the ratio did not fall at least the off pressure ratio (*OFF P.RATIO*). When this occurs, the control turns off all of the compressors, and enters a safety shutdown condition. The possible causes are a welded contactor or frozen compressor relay on MBB. Manual alarm reset or power cycle is required to rest this fault.

#### **Fault F319 – C.A1 DOWN DUE TO FAIL**

This fault occurs when compressor A1 has 3 strikes. Investigate the alerts that caused the strikes to occur, and correct or test as needed. Manual alarm reset or power cycle is required to rest this fault.

#### **Alert A320 – C.A1 REVERSE ROTATION**

This alert occurs when 10 seconds after the compressor turns on, the suction rose and the discharge pressure dropped. This alert causes a strike for the compressor. The alert resets automatically. The cause of the alert is usually compressor wiring causing reverse rotation or a faulty compressor.

#### **Alert A321 – C.A1 FAIL TO PRESSURE**

This alert occurs when 10 seconds after the compressor turns on, the suction did not drop more that suction amount (*CIR.A MIN SUC.P*) and discharge pressure did not rise more than discharge amount (*CIR.A MIN DIS.P*). This alert causes a strike for the compressor. The alert resets automatically. The cause of the alert is usually compressor wiring causing reverse rotation or a faulty compressor.

#### **Fault F322 – C.A2 DOWN DUE TO FAIL**

This fault occurs when compressor A2 has 3 strikes. Investigate the alerts that caused the strikes to occur, and correct or test as needed. Manual alarm reset or power cycle is required to rest this fault.

#### **Alert A323 – C.A2 REVERSE ROTATION**

This alert occurs when 10 seconds after the compressor turns on, the suction rose and the discharge pressure dropped. This alert causes a strike for the compressor. The alert resets automatically. The cause of the alert is usually compressor wiring causing reverse rotation or a faulty compressor.

#### **Alert A324 – C.A2 FAIL TO PRESSURE**

This alert occurs when 10 seconds after the compressor turns on, the suction did not drop more that suction amount (*CIR.A MIN SUC.P*) and discharge pressure did not rise more than discharge amount (*CIR.A MIN DIS.P*). This alert causes a strike for the compressor. The alert resets automatically. The cause of the alert is usually compressor wiring causing reverse rotation or a faulty compressor.

#### **Alert A410 – IGC IGNITION FAILURE**

This alert occurs when the IGC fan request does not activate 15 minutes after turning heat 1 on when configured for Gas Heat. The control will lockout all the heat stages. This alert will automatically reset after the IGC fan request occurs. The cause of this alert is usually faulty wiring of the IGC, no gas flow, or wrong configuration.

#### **Fault F411 – ROLLOUT WITHOUT HEAT**

This fault occurs when the IGC fan request activates and the heat has been off for at least 3 minutes when configured for Gas Heat. The control will enter the safety shutdown condition. This alert will automatically reset after the IGC fan request turns off for 10 minutes. The cause of this alert is usually faulty wiring of the IGC, or rollout switch trip without a heat call.

#### **Fault F412 – RUN AWAY HEAT**

This fault occurs when the SAT rises above the maximum SAT. The control will enter the safety shutdown condition. This alert will automatically reset after if configured to and the SAT falls 50 degrees below the maximum SAT. The cause of this alert is usually heat stuck on causing high SAT, or low air flow.

#### **Alert A510 – INDOOR FAN STATUS**

This alert occurs when the unit is configured not to shut down on fan status and either the fan is requested off and the fan speed feedback does not reach zero in the VFD deceleration time or the fan is requested greater than zero and the fan speed feedback does not reach that speed in the VFD acceleration time. This alert will reset automatically. The cause of this alert is usually belt broke, motor failure, or configuration error.

#### **Fault F511 – IDF OFF WHEN COMMAND ON**

This fault occurs when the unit is configured to shut down on fan status and the fan is requested greater than zero and the fan speed feedback does not reach that speed in the VFD acceleration time. The cause of this alert is usually Fan stuck on, or Configuration incorrect. Manual alarm reset or power cycle is required to rest this fault.

#### **Fault F512 – IDF ON WHEN COMMAND OFF**

This fault occurs when the unit is configured to shut down on fan status and the fan is requested off and the fan speed feedback does not reach zero in the VFD deceleration time. The cause of this alert is usually tripped circuit breaker, broken belt, bad indoor fan motor, or configuration incorrect. Manual alarm reset or power cycle is required to rest this fault.

#### **Fault F600 – IDF VFD COMMUNICATION**

This fault occurs when the indoor fan VFD and the SystemVu™ control are not communicating properly. This will cause a unit shutdown, and will automatically reset when communication is properly restored. The cause of this is usually a break in the



communication connection, noise on the LEN bus, wiring error, or a configuration error. Verify VFD configurations are set per the latest literature.

**Fault F601 – IDF VFD UNEXPECTED**

This fault occurs when the indoor fan VFD informs the SystemVu control that it has an active fault. This will cause a unit shutdown, and will automatically reset when the VFD fault is cleared but likely will require a manual reset to reset the VFD. Refer to the VFD section or literature for details on the specific VFD fault. Verify VFD configurations are set per the latest literature.

**Fault F602 – IDF VFD LOCKOUT**

This fault occurs when the indoor fan VFD informs the SystemVu control that it has an active lockout fault. This will cause a unit shutdown, and requires a power cycle to reset the VFD. Refer to the VFD section or literature for details on the specific VFD fault. Verify VFD configurations are set per the latest literature.

**Alert A603 – IDF VFD IN HAND**

This alert occurs when the indoor fan VFD informs the SystemVu control that it is no longer in auto control and in either hand or off mode. This can only be done with the accessory VFD keypad. This will automatically reset when the VFD is placed back into auto mode for the VFD keypad. Refer to the VFD section or literature for details on the specific VFD fault. Verify VFD configurations are set per the latest literature.

**Fault F604 – IDF VFD IN HAND**

This fault occurs when the indoor fan VFD informs the SystemVu control that it is no longer in auto control and in either hand or off mode. This can only be done with the accessory VFD keypad. This will cause a unit shutdown, and will automatically reset when the VFD is placed back into auto mode for the VFD keypad. Refer to the VFD section or literature for details on the specific VFD fault. Verify VFD configurations are set per the latest literature.

**Alert A605 – IDF VFD THERMAL WARNING**

This fault occurs when the indoor fan VFD informs the SystemVu control that it has an active warning. This will cause an IDF speed reduction of 10%, and will automatically reset when the VFD alert is cleared. Refer to the VFD section or literature for details on the specific VFD fault. Verify VFD configurations are set per the latest literature.

**Alert A606 – IDF VFD VOLTAGE WARNING**

See alert A605

**Alert A607 – IDF VFD CURRENT LIMIT**

See alert A605

**Alert A608 – IDF VFD WARNING**

See alert A605

**Fault F611 – IDF VFD EARTH FAULT**

See fault F601

**Fault F612 – IDF VFD CTLWORD LOSS**

See fault F601

**Fault F613 – IDF VFD OVER CURRENT**

See fault F601

**Fault F614 – IDF VFD MOTOR OVER TEMP**

See fault F601

**Fault F615 – IDF VFD OVERLOAD**

See fault F601

**Fault F616 – IDF VFD UNDER VOLTAGE**

See fault F601

**Fault F617 – IDF VFD OVER VOLTAGE**

See fault F601

**Fault F618 – IDF VFD SHORT CIRCUIT**

See fault F601

**Fault F619 – IDF VFD MAIN PHASE LOSS**

See fault F601

**Fault F620 – IDF VFD PHASE U LOSS**

See fault F601

**Fault F621 – IDF VFD PHASE V LOSS**

See fault F601

**Fault F622 – IDF VFD PHASE W LOSS**

See fault F601

**Fault F623 – IDF VFD CONTROL VOLTAGE**

See fault F601

**Fault F624 – IDF VFD SUPPLY VDD**

See fault F601

**Alert A700 – ECON NOT MODULATING**

This alert occurs when the economizer feedback is enabled and the actual speed does reach the commanded speed in the economizer travel time configuration value. This alert will automatically reset when the actual position does reach the commanded position. This is usually caused by installation of the wrong actuator, no economizer gear motion, or actuator direction control switch (CCW, CW) wrong. Check damper blades, gears, and actuator. This alert will usually be accompanied by another descriptive informational alert.

**Alert A701 – ECON STUCK CLOSED**

See alert A700

**Alert A702 – ECON STUCK OPEN**

See alert A700

**Alert A703 – IDF MECH DISCONNECTED**

This alert occurs when the Alert A700 is not active yet the control determines that the economizer changes are not aligning with the temperature changes. This will require a manual reset to ensure the economizer is inspected. This is usually caused by the actuator not properly secured to the damper shaft.

**Alert A710 – ECON NOT COOLING**

See alert A700

**Alert A711 – ECON IMPROPER COOLING**

See alert A700

**Alert A712 – EXCESSIVE OUTDOOR AIR**

See alert A700

**Table 13 – SystemVu™ Controller Alarm Codes**

FAULT OR ALERT	ACTION TAKEN BY CONTROL	RESET METHOD	PROBABLE CAUSE
F010 – MBB LOW VOLTAGE	Unit Shutdown	Automatic	Brownout condition, low supply voltage, supply power missing a phase.
F011 – MBB REFERENCE VOLTAGE	Unit Shutdown	Automatic	MBB failure or supply voltage low
A012 – MBB ZERO CROSSING	Alert Generated	Automatic	MBB failure or supply voltage frequency to high or too low.
F013 – MBB FUSE 2 OPEN	Unit Shutdown	Automatic	A switch input has a wiring error or the switch pulled too much current.
F014 – MBB FUSE 3 OPEN	Unit Shutdown	Automatic	A switch input has a wiring error or the switch pulled too much current.
A015 – MBB RNET VOLTAGE RANGE	Alert Generated	Automatic	MBB failure or supply voltage low
A016 – MBB 24VDC RANGE	4 – 20mA inputs will be in error	Automatic	MBB failure or supply voltage low
A017 – MBB 5VDC RANGE	Transducer inputs will be in error	Automatic	MBB failure or supply voltage low
F018 – MBB EEPROM FAILURE	Unit Shutdown	Automatic	Software failure or MBB failure
A019 – MBB CLOCK FAILURE	No time, date, and schedule operation	Automatic	Software failure or MBB failure
A099 – COMM LOSS WITH SIOB ON LEN BUS	Loss of communication with IO from SIOB board	Automatic	Wiring problem between MBB and SIOB
F020 – SOFTWARE ERROR	Unit Shutdown	Automatic	Corrupt Software or software failure
A100 – SAT SENSOR ERROR	No free cooling, and no SAT limit protection	Automatic	Faulty, shorted, or open thermistor caused by wiring error or loose connection.
A101 – FST SENSOR RANGE	Alert Generated	Automatic	Faulty or incorrect thermistor caused by improper ohm reading
A102 – FST OPEN SENSOR	Alert Generated	Automatic	Missing or open thermistor caused by wiring error or loose connection.
A103 – FST SHORTED SENSOR	Alert Generated	Automatic	Faulty or shorted thermistor caused by wiring error or loose connection.
A104 – OAT SENSOR RANGE	No free cooling, no low ambient operation	Automatic	Faulty or incorrect thermistor caused by improper ohm reading
A105 – OAT OPEN SENSOR	No free cooling, no low ambient operation	Automatic	Missing or open thermistor caused by wiring error or loose connection.
A106 – OAT SHORTED SENSOR	No free cooling, no low ambient operation	Automatic	Faulty or shorted thermistor caused by wiring error or loose connection.
A107 – RAT SENSOR RANGE	No differential DB crossover	Automatic	Faulty or incorrect thermistor caused by improper ohm reading
A108 – RAT OPEN SENSOR	No differential DB crossover	Automatic	Missing or open thermistor caused by wiring error or loose connection.
A109 – RAT SHORTED SENSOR	No differential DB crossover	Automatic	Faulty or shorted thermistor caused by wiring error or loose connection.
A110 – SPT SENSOR RANGE	No heating or cooling	Automatic	Faulty or incorrect thermistor caused by improper ohm reading
A111 – SPT OPEN SENSOR	No heating or cooling	Automatic	Missing or open thermistor caused by wiring error or loose connection.
A112 – SPT SHORTED SENSOR	No heating or cooling	Automatic	Faulty or shorted thermistor caused by wiring error or loose connection.
A130 – CIR.A SSP SENSOR RANGE	Shutdown Circuit A	Automatic	Faulty transducer, faulty 5 – V power supply, or loose connection
A131 – CIR.A SSP OPEN SENSOR	Shutdown Circuit A	Automatic	Faulty transducer, faulty 5 – V power supply, or loose connection
A132 – CIR.A SSP SHORT SENSOR	Shutdown Circuit A	Automatic	Faulty transducer, faulty 5 – V power supply, or loose connection
A133 – CIR.A SDP SENSOR RANGE	Shutdown Circuit A	Automatic	Faulty transducer, faulty 5 – V power supply, or loose connection
A134 – CIR.A SDP OPEN SENSOR	Shutdown Circuit A	Automatic	Faulty transducer, faulty 5 – V power supply, or loose connection
A135 – CIR.A SDP SHORT SENSOR	Shutdown Circuit A	Automatic	Faulty transducer, faulty 5 – V power supply, or loose connection
A150 – OUTDOOR AIRFLOW IN CFM OPEN SENSOR	No OACFM Operations	Automatic	Wiring problem, or configuration error
A151 – OUTDOOR AIRFLOW IN CFM SHORTED SENSOR	No OACFM Operations	Automatic	Wiring problem, or configuration error
A160 – OARH OPEN SENSOR	No Enthalpy crossover	Automatic	Bad sensor, bad wiring, or sensor configured incorrectly.
A161 – OARH SHORTED SENSOR	No Enthalpy crossover	Automatic	Bad sensor, bad wiring, or sensor configured incorrectly.
A162 – RARH OPEN SENSOR	No Differential Enthalpy crossover	Automatic	Bad sensor, bad wiring, or sensor configured incorrectly.
A163 – RARH SHORTED SENSOR	No Differential Enthalpy crossover	Automatic	Bad sensor, bad wiring, or sensor configured incorrectly.
A164 – IAQ OPEN SENSOR	No IAQ Operations	Automatic	Bad sensor, bad wiring, or sensor configured incorrectly.
A165 – IAQ SHORTED SENSOR	No IAQ Operations	Automatic	Bad sensor, bad wiring, or sensor configured incorrectly.
A166 – OAQ OPEN SENSOR	No OAQ Operations	Automatic	Bad sensor, bad wiring, or sensor configured incorrectly.
A167 – OAQ SHORTED SENSOR	No OAQ Operations	Automatic	Bad sensor, bad wiring, or sensor configured incorrectly.
A168 – SPACE RELATIVE HUMIDITY OPEN SENSOR	No dehumidifying	Automatic	Bad sensor, bad wiring, sensor configured incorrectly, loss of communication to SIOB.
A169 – SPACE RELATIVE HUMIDITY SHORTED SENSOR	No dehumidifying	Automatic	Bad sensor, bad wiring, sensor configured incorrectly, loss of communication to SIOB.
A170 – ECON FEEDBACK RANGE	No economizer diagnostics	Automatic	Wiring problem with actuator, or configuration error
A171 – ECON FEEDBACK OPEN	No economizer diagnostics	Automatic	Wiring problem with actuator, or configuration error
A172 – ECON FEEDBACK SHORTED	No economizer diagnostics	Automatic	Wiring problem with actuator, or configuration error
A190 – TSTAT HEAT/COOL CALLS	Run unit in mode activated first	Automatic	Bad Thermostat or Thermostat Wiring
A191 – TSTAT IMPROPER COOL	Run cooling per number of active inputs	Automatic	Bad Thermostat or Thermostat Wiring
A192 – TSTAT IMPROPER HEAT	Run heating per number of active inputs	Automatic	Bad Thermostat or Thermostat Wiring
F200 – FIRE SHUTDOWN	Unit Shutdown	Automatic	Smoke detected by smoke detector
F201 – CONDENSATE OVERFLOW	Cooling Shutdown	Automatic	Drain pan plugged, sensor error, or configuration error
A203 – DIRTY FILTER	Alert Generated	Automatic	Dirty Filter or filter timer expired
F204 – REMOTE SHUTDOWN	Unit Shutdown	Automatic	Remote activation of the shutdown switch

**Table 13 — SystemVu™ Controller Alarm Codes (cont)**

FAULT OR ALERT	ACTION TAKEN BY CONTROL	RESET METHOD	PROBABLE CAUSE
A210 – GENERAL STATUS	Alert Generated	Automatic	General Switch activation or wrong configuration
F211 – GENERAL STATUS	Unit Shutdown	Automatic	General Switch activation or wrong configuration
F310 – CIRA DOWN DUE TO FAIL	Shutdown Circuit A	Manual	Compressors have 3 strikes or has been locked out by another alarm
F311 – CIRA LOW CHARGE	Shutdown Circuit A	Manual	Low refrigerant or faulty pressure transducer
A312 – CIR.A UNEXPECTED OFF	Strike for active compressors	Automatic	Compressor failure, transducer failure, or nuisance operating conditions
A313 – CIR.A HIGH DISCHARGE	Unload compression and up ODF to High cool speed	Automatic	An overcharged system, high outdoor ambient temperature coupled with dirty outdoor coil, plugged filter drier, or ODF speeds being set too low.
A314 – CIR.A HPS TRIP	Add compressor strikes	Automatic	An overcharged system, high outdoor ambient temperature coupled with dirty outdoor coil, plugged filter drier, or ODF speeds being set too low.
A315 – CIR.A LOW DISCHARGE	Add compressor strikes	Automatic	An undercharged system, low outdoor ambient temperature coupled with dirty outdoor coil, plugged filter drier, or ODF speeds being set too high
A316 – CIR.A LOW SUCTION	Add compressor strikes	Automatic	Low refrigerant charge, dirty filters, evaporator fan turning backwards, loose or broken fan belt, plugged filter drier, faulty transducer, excessively cold return air, or stuck open economizer when the ambient temperature is low.
A317 – CIR.A PRESSURE RATIO	Add compressor strikes	Automatic	Low refrigerant charge, plugged filter drier, faulty transducer, the ambient temperature is low and the ODFs are running too fast.
F318 – COMPRESSOR STUCK ON	Unit in Safety Shutdown	Manual	Welded contactor or frozen compressor relay on MBB
F319 – C.A1 DOWN DUE TO FAIL	Lockout Compressor A1	Manual	Compressor A1 has 3 strikes or has been locked out by another alarm
A320 – C.A1 REVERSE ROTATION	Add Strike for compressor A1	Automatic	Wiring causing reverse rotation or faulty compressor
A321 – C.A1 FAIL TO PRESSURE	Add Strike for compressor A1	Automatic	Wiring causing reverse rotation or faulty compressor
F322 – C.A2 DOWN DUE TO FAIL	Lockout Compressor A2	Manual	Compressor A2 has 3 strikes or has been locked out by another alarm
A323 – C.A2 REVERSE ROTATION	Add Strike for compressor A2	Automatic	Wiring causing reverse rotation or faulty compressor
A324 – C.A2 FAIL TO PRESSURE	Add Strike for compressor A2	Automatic	Wiring causing reverse rotation or faulty compressor
A410 – IGC IGNITION FAILURE	Lockout Heat	Automatic	Faulty wiring of the IGC, no gas flow, or wrong configuration
F411 – ROLLOUT WITHOUT HEAT	Unit in Safety Shutdown	Automatic	Faulty wiring of the IGC, or rollout switch trip without a heat call
F412 – RUN AWAY HEAT	Unit in Safety Shutdown	Automatic	Heat stuck on causing high SAT, or low air flow
A510 – INDOOR FAN STATUS	Alert Generated	Automatic	Belt broke, motor failure, or configuration error.
F511 – IDF OFF WHEN COMMAND ON	Unit Shutdown	Manual	Fan stuck on, or Configuration incorrect.
F512 – IDF ON WHEN COMMAND OFF	Unit Shutdown	Manual	Tripped Circuit Breaker. Broken belt. Bad indoor fan motor. Configuration incorrect.
F600 – IDF VFD COMMUNICATION	Unit Shutdown	Automatic	Communication failure, noise on the bus, wiring error, or configuration error.
F601 – IDF VFD UNEXPECTED	Unit Shutdown	Automatic	VFD fault, refer to VFD section
F602 – IDF VFD LOCKOUT	Unit Shutdown	Power Cycle	VFD locked itself out
A603 – IDF VFD IN HAND	Alert Generated	Automatic	VFD keypad used to put the VFD in hand or off mode
F604 – IDF VFD IN HAND	Unit Shutdown	Automatic	VFD keypad used to put the VFD in hand or off mode
A605 – IDF VFD THERMAL WARNING	IDF speed reduced	Automatic	Motor improper size, motor overload, or configuration errors
A606 – IDF VFD VOLTAGE WARNING	IDF speed reduced	Automatic	Motor improper size, motor overload, or configuration errors
A607 – IDF VFD CURRENT LIMIT	IDF speed reduced	Automatic	Motor improper size, motor overload, or configuration errors
A608 – IDF VFD WARNING	IDF speed reduced	Automatic	Motor improper size, motor overload, or configuration errors
F611 – IDF VFD EARTH FAULT	Unit Shutdown	Automatic	VFD fault, refer to VFD section
F612 – IDF VFD CTL WORD LOSS	Unit Shutdown	Automatic	VFD fault, refer to VFD section
F613 – IDF VFD OVER CURRENT	Unit Shutdown	Automatic	VFD fault, refer to VFD section
F614 – IDF VFD MOTOR OVER TEMP	Unit Shutdown	Automatic	VFD fault, refer to VFD section
F615 – IDF VFD OVERLOAD	Unit Shutdown	Automatic	VFD fault, refer to VFD section
F616 – IDF VFD UNDER VOLTAGE	Unit Shutdown	Automatic	VFD fault, refer to VFD section
F617 – IDF VFD OVER VOLTAGE	Unit Shutdown	Automatic	VFD fault, refer to VFD section
F618 – IDF VFD SHORT CIRCUIT	Unit Shutdown	Automatic	VFD fault, refer to VFD section
F619 – IDF VFD MAIN PHASE LOSS	Unit Shutdown	Automatic	VFD fault, refer to VFD section
F620 – IDF VFD PHASE U LOSS	Unit Shutdown	Automatic	VFD fault, refer to VFD section
F621 – IDF VFD PHASE V LOSS	Unit Shutdown	Automatic	VFD fault, refer to VFD section
F622 – IDF VFD PHASE W LOSS	Unit Shutdown	Automatic	VFD fault, refer to VFD section
F623 – IDF VFD CONTROL VOLTAGE	Unit Shutdown	Automatic	VFD fault, refer to VFD section
F624 – IDF VFD SUPPLY VDD	Unit Shutdown	Automatic	VFD fault, refer to VFD section
A700 – ECON NOT MODULATING	Alert Generated	Automatic	No economizer motion. Check damper blades, gears, and actuator. Actuator direction control switch (CCW, CW) wrong.
A701 – ECON STUCK CLOSED	Alert Generated	Automatic	No economizer motion. Check damper blades, gears, and actuator. Actuator direction control switch (CCW, CW) wrong.
A702 – ECON STUCK OPEN	Alert Generated	Automatic	No economizer motion. Check damper blades, gears, and actuator. Actuator direction control switch (CCW, CW) wrong.
A703 – ECON MECH DISCONNECTED	Alert Generated	Manual	No economizer motion. Check damper blades, gears, and actuator. Actuator direction control switch (CCW, CW) wrong.
A710 – ECON NOT COOLING	Alert Generated	Automatic	No economizer motion. Check damper blades, gears, and actuator. Actuator direction control switch (CCW, CW) wrong.
A711 – ECON IMPROPER COOLING	Alert Generated	Automatic	No economizer motion. Check damper blades, gears, and actuator. Actuator direction control switch (CCW, CW) wrong.
A712 – EXCESSIVE OUTDOOR AIR	Alert Generated	Automatic	No economizer motion. Check damper blades, gears, and actuator. Actuator direction control switch (CCW, CW) wrong.

## Control Module Communication

### Red LED

Proper operation of the MBB control board can be visually checked by looking at the red status LED. When operating correctly, the red status LED should blink at a rate of once every 2 seconds. If the red LED is not blinking, verify that correct power is being supplied. A blinking red LED at the rate of once per second means that software is not loaded on the board. Also, be sure that the board is supplied with the current software. If necessary, reload current software. A board LED that is lit continuously should be replaced.

### Green LED

The MBB has one green LED. The Local Equipment Network (LEN) LED should always be blinking whenever power is on. If LEN LED is not blinking, check LEN connections for potential communication errors (MBB J15, J16, J17, and on the Display J2). Communication between modules is accomplished by a 3-wire sensor bus. These 3 wires run in parallel from module to module. The MBB J17 and Display J2 connectors provide both power and communication directly at the connector for accessories like the

Navigator™ display. The MBB J15 connector provides a LEN interface to the indoor fan VFD.

### Yellow LED

The MBB has one yellow LED which is used to indicate Building Automated System (BAS) communication activity. The LED will blink when the MBB transmits a message on the bus.

### **Communication Failures**

If the Indoor Fan VFD or Navigator display Communication Failure or the green or yellow LED's do not flash on the boards then the problem could be the communication chip on one of the control boards (MBB). Use an ohm meter to measure the resistance on the communication pins of the boards to determine if the board is bad. If the reading is less than half the value indicated in Table 14, then the board needs to be replaced.

**IMPORTANT:** The resistive values should be read when the board is powered off, the unit is locked out, and board connectors are disconnected.

**Table 14 – Communication Resistances**

Device	(LEN) Resistance between Pins / Connector			(BAS) Resistance between Pins / Connector			(RNET) Resistance between Pins / Connector		
	Pins 1 to 3	Pins 1 to 2	Pins 2 to 3	Pins 1 to 3	Pins 1 to 2	Pins 2 to 3	Pins GND to +	Pins GND to -	Pins + to -
MBB	19.92 KΩ	10.63 KΩ	9.51 KΩ	19.92 KΩ	10.63 KΩ	9.51 KΩ	2.25 KΩ	1 KΩ	3.3 KΩ

Climaproyectos.com

## Cooling Troubleshooting

Use the SystemVu™ Display or a CCN device to view the cooling status display and the cooling diagnostic display (see Appendices) for information on the cooling operation. Check the current alarms and alarm history for any cooling alarm codes and correct any causes. (See Table 13.) Verify any unique control configurations per installed site requirements or accessories.

If alarms conditions are corrected and cleared, operation of the compressors and fans may be verified by using the Service Test mode. (See Table 4.) See Table 15 for general cooling service analysis.

**Table 15 – Cooling Service Analysis**

PROBLEM	CAUSE	REMEDY
<b>Compressor and Fan Will Not Start.</b>	Power failure.	Call power company.
	Fuse blown or circuit breaker tripped.	Replace fuse or reset circuit breaker.
	Disconnect off.	Power disconnect.
	Compressor time guard to prevent short cycling.	Check using SystemVu Display.
	Thermostat or occupancy schedule set point not calling for Cooling.	Check using SystemVu Display.
	Outdoor temperature too low.	Check Compressor Lockout Temperature using SystemVu Display.
	Active alarm.	Check active alarms using SystemVu Scrolling Marquee.
<b>Compressor Cycles (other than normally satisfying thermostat).</b>	Insufficient line voltage.	Determine cause and correct.
	Active alarm.	Check active alarms using SystemVu Scrolling Marquee.
<b>Compressor Operates Continuously.</b>	Unit undersized for load.	Decrease load or increase size of unit.
	Thermostat or occupancy schedule set point too low.	Reset thermostat or schedule set point.
	Dirty air filters.	Replace filters.
	Low refrigerant charge.	Check pressure, locate leak, repair, evacuate, and recharge.
	Condenser coil dirty or restricted.	Clean coil or remove restriction.
<b>Excessive Condenser Pressures.</b>	Dirty condenser coil.	Clean coil.
	Refrigerant overcharge.	Recover excess refrigerant.
	Faulty TXV.	1. Check TXV bulb mounting and secure tightly to suction line and insulate. 2. Replace TXV (and filter drier) if stuck open or closed.
	Condenser air restricted or air short cycling.	Determine cause and correct.
	Restriction in liquid tube.	Remove restriction.
<b>Condenser Fans Not Operating.</b>	No Power to contactors.	Fuse blown or plug at motor loose.
<b>Excessive Suction Pressure.</b>	High heat load.	Check for sources and eliminate
	Faulty TXV.	1. Check TXV bulb mounting and secure tightly to suction line and insulate. 2. Replace TXV (and filter drier) if stuck open or closed.
	Refrigerant overcharged.	Recover excess refrigerant.
<b>Suction Pressure Too Low.</b>	Dirty air filters.	Replace air filters.
	Low refrigerant charge.	Check pressure, locate leak, repair, evacuate, and recharge.
	Faulty TXV.	1. Check TXV bulb mounting and secure tightly to suction line and insulate. 2. Replace TXV (and filter drier) if stuck open or closed.
	Insufficient evaporator airflow.	Check belt tension. Check for other restrictions.
	Temperature too low in conditioned area (low return-air temperature).	Reset thermostat or occupancy schedule.

**LEGEND**

**TXV** – Thermostatic Expansion Valve

## Humidi-MiZer® System Troubleshooting

Use the SystemVu™ control display or a CCN device to view the cooling status display and the cooling diagnostic display. See Optional Humidi-MiZer Dehumidification System starting on page 19 for information on the cooling operation and the related Humidi-MiZer system operation. Check the current alarms and alarm history for any cooling alarm codes and correct any causes (see Table 13 on page 34). Verify any unique control configurations per installed site requirements or accessories.

If alarm conditions are corrected and cleared, operation of the compressors, fans, and Humidi-MiZer system valves may be verified by using the Service Test mode (see Table 4 on page 11). In addition to general cooling service analysis (Table 15 on page 37), see Table 16 (on page 39) for general Humidi-MiZer system service analysis.

**NOTE:** Wiring, operation, and charge are different on a Humidi-MiZer system unit compared to a standard unit.

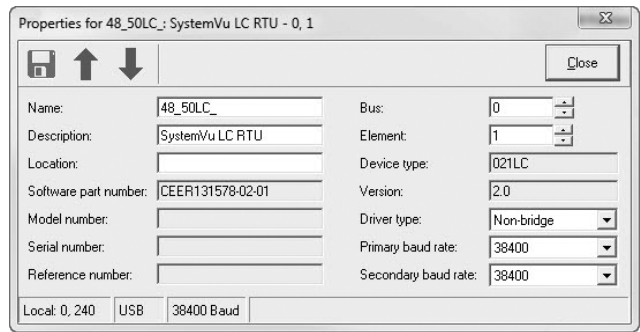
### Activating Humidi-MiZer System Operation After Field Replacement of a SystemVu™ Controller

Humidi-MiZer system operation is enabled as part of the factory configuration of the unit. When field replacement of a SystemVu controller is required, the replacement controller must be field-configured to control the Humidi-MiZer system option.

Field activation of the Humidi-MiZer system requires use of Network System Tool Five and either i-Vu® 6.5 software or i-Vu Tools 6.5 (field assistant tool).

**NOTE:** The i-Vu software or i-Vu Tools must be version 6.5 or later. Earlier versions do not support the SystemVu controller.

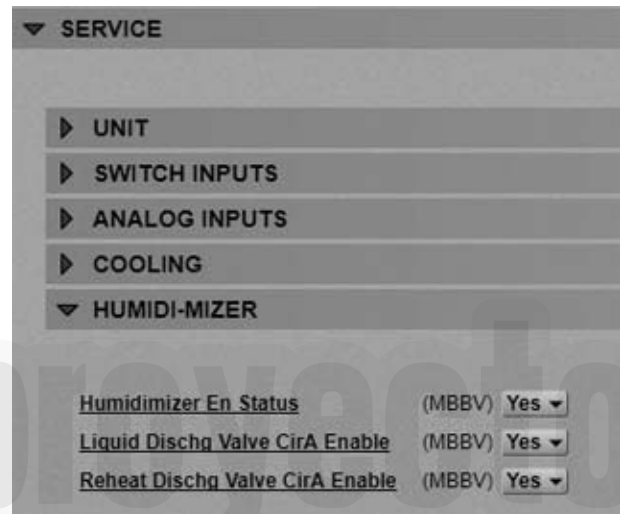
Connect the computer with the required software to the installed replacement SystemVu controller. Using Network System Tool Five, navigate to the Properties screen (see Fig. 22). Enter the Serial number from the unit nameplate into the Serial number field.



a48-9930

Fig. 22 - Network System Tools Five Properties Page

Next launch either the i-Vu 6.5 software or the i-Vu Tools 6.5 field assistant and navigate to the Properties page (see Fig. 23). Go to the Service section and locate HUMIDI-MIZER. Set the following selections to Yes: Humidimizer En Status, Liquid Dischg Valve CirA Enable, and Reheat Dischg Valve CirA Enable.



a48-9940

Fig. 23 - i-Vu Properties Page - Service Section

**Table 16 – Humidi-MiZer System Service Analysis**

<b>PROBLEM</b>	<b>CAUSE</b>	<b>REMEDY</b>
<b>Subcooling Reheat Mode Will Not Activate.</b>	General cooling mode problem.	See Cooling Service Analysis (Table 15).
	No dehumidification demand.	See No Dehumidification Demand, below.
	IOB operation.	See IOB Operation, below.
	Circuit LDV valve problem.	See LDV Valve Operation, below.
<b>Hot Gas Reheat Mode Will Not Activate.</b>	General cooling mode problem.	See Cooling Service Analysis (Table 15).
	No dehumidification demand.	See No Dehumidification Demand, below.
	IOB operation.	See IOB Operation, below.
	Circuit LDV valve problem.	See LDV (3-Way) Valve Operation, below.
	Circuit RDV valve is not open.	See RDV Valve Operation, below.
	Outdoor temperature too low.	Check Reheat Circuit Limit Temperatures Unit Configurations→Cooling→Humz Lockout OAT
<b>No Dehumidification Demand.</b>	Relative humidity setpoint is too low — Humidistat	Check/reduce setting on accessory humidistat.
	Relative humidity setpoint is too low — RH sensor.	Check Space RH Setpoints (Setpoints→SPRH)
	Software configuration error for accessory humidistat.	Check Space Humidity Switch (SETTINGS→UNIT CONFIGURATIONS→SWITCH INPUTS CONFIGS→HUMSTAT CHANNEL)
	Software configuration error for accessory humidity sensor.	Check RH Sensor (SETTINGS→UNIT CONFIGURATIONS→ANALOG INPUTS CONFIGS→SPRH SENSOR CHANNEL)
	No humidity signal.	Check wiring. Check humidistat or humidity sensor.
<b>IOB Operation.</b>	Communication loss to Input–Output Board.	Check wiring connections. Alert A099 – COMM LOSS WITH SIOB
	No power to output terminals.	Check wiring.
	Relay outputs do not change state.	Replace faulty IOB.
<b>LDV (3–Way) Valve Operation.</b>	No 24V signal to input terminals.	Check using Service→LIQ DIVERT A TEST
		Check IOB relay output.
		Check Wiring.
	Solenoid coil burnout.	Check transformer and circuit breaker or fuses.
		Check continuous over-voltage is less than 10%.
		Check under-voltage is less than 15%.
		Check for missing coil assembly parts.
	Check for damaged valve enclosing tube.	
Stuck valve.	Replace valve. Replace filter drier.	
<b>RDV Valve Operation. (NOTE: Normally Closed When De-energized)</b>	No 24V signal to input terminals.	Check using Service→RDV A TEST
		Check IOB relay output.
		Check wiring.
	Solenoid coil burnout.	Check transformer and circuit breaker or fuses.
		Check continuous over-voltage is less than 10%.
		Check under-voltage is less than 15%.
	Check for missing coil assembly parts.	
	Check for damaged valve enclosing tube.	
Stuck valve.	Replace valve. Replace filter drier.	
<b>Low Sensible Capacity in Normal Cool or Subcooling Reheat Modes.</b>	RDV valve open or leaking.	See RDV Valve Operation, above.
<b>Low Suction Pressure and High Superheat During Normal Cool Mode.</b>	General cooling mode problem.	See Cooling Service Analysis (Table 15).
	RDV valve open or leaking.	See RDV Valve Operation, above.
<b>RDV Valve Cycling On/Off.</b>	Hot Gas Reheat mode low suction pressure limit.	Normal Operation During Mixed Circuit Subcooling and Hot Gas Reheat Modes at Lower Outdoor Temperatures.

**LEGEND**

- IOB** – Input–Output Board
- LDV** – Liquid Diverter Valve
- RDV** – Reheat Discharge Valve
- RH** – Relative Humidity

## Economizer Troubleshooting

Use the SystemVu™ Display to view the economizer status. Check the current alerts and faults and the alarm history for economizer specific alerts or any relevant faults or alerts and correct those issues. Use test mode to troubleshoot by ramping the economizer up and down with and without the indoor fan and power exhaust fan on. Inspect the mechanical economizer for actuator, gear, or blade damage. Ensure the actuator is mounted with the correct spring return (close damper when no power applied to unit). Ensure there is a 500 ohm resistor across the actuator as the 4-20mA output signal must be converted to 2-10V.

The Economizer alerts can be summarized as a failure to modulate the damper blades. This can be due to the actuator not being properly connected to the damper, or because the actuator's feedback signal is indicating that damper is not performing as commanded. The mechanical disconnect diagnostic will run when conditions are appropriate to determine proper air temperature changes. This uses the OAT, RAT, and SAT to tell if the damper is mixing the outdoor air with the return air. The other alerts inform where the damper is stuck relative to the commanded position.

**Table 17 – Economizer Service Analysis**

PROBLEM	POSSIBLE CAUSE	REMEDY
<b>Damper Does Not Move.</b>	Indoor Fan is off.	Check for proper thermostat connection.
		Unit is not configured for continuous fan operation and the thermostat is not calling for heating or cooling.
		Unit is in Unoccupied mode and there is no call for heating or cooling.
		Tripped circuit breaker.
		No power to the unit.
		Unit is off via CCN command.
	Actuator is unplugged at motor or at economizer board.	Check wiring connections.
	Unit is not configured for economizer.	Configure unit for economizer per the instructions.
Outdoor-air temperature is above economizer high temperature lockout.	Adjust the high temperature lockout setting if it is incorrect, otherwise, economizer is operating correctly.	
Outdoor-air temperature is below economizer low temperature lockout.	Adjust the low temperature lockout setting if it is incorrect, otherwise, economizer is operating correctly.	
Communication loss to economizer board.	Check wiring connections.	
Damper is jammed.	Identify the obstruction and safely remove.	
<b>Economizer Operation is Limited to Minimum Position.</b>	Minimum position is set incorrectly.	Adjust minimum position setting.
	Outdoor-air temperature is above economizer high temperature lockout.	Adjust the high temperature lockout setting if it is incorrect, otherwise, economizer is operating correctly.
	Outdoor-air temperature is below economizer low temperature lockout.	Adjust the low temperature lockout setting if it is incorrect, otherwise, economizer is operating correctly.
	Enthalpy or differential dry bulb are preventing free cooling.	Check enthalpy and return air compared to outside air temperature.
	Outdoor-air thermistor is faulty.	Replace outdoor-air thermistor.
	Low suction pressure problem with a compressor.	Economizer is operating correctly, identify compressor problem.
<b>Economizer Position is Less Than Minimum Position.</b>	IAQ is controlling minimum damper position.	Adjust the IAQ settings if incorrect, otherwise, the economizer is operating correctly.
	Unit is in Unoccupied mode.	Adjust unit occupied schedule if incorrect, otherwise, economizer is operating correctly.
<b>Economizer Does Not Return to Minimum Position.</b>	Unit is operating under free cooling.	Economizer is operating correctly.
<b>Damper Does Not Close on Power Loss.</b>	Damper is jammed or spring return is backwards.	Identify the obstruction and safely remove.
<b>Economizer is Not at Configured Minimum Position</b>	Unit is operating under free cooling or a force is applied to the commanded position.	Economizer is operating correctly.

### LEGEND

CCN – Carrier Comfort Network®  
 IAQ – Indoor Air Quality



## Heating Troubleshooting

Use the unit SystemVu™ Display or a CCN device to view the heating status display and the heating diagnostic display (see Appendices) for information on the heating operation. Check the current alarms and alarm history for any heating alarm codes and correct any causes. (See Table 13.) Verify any unique control configurations per installed site requirements or accessories. If alarms conditions are corrected and cleared, operation of the heat stages and indoor fan may be verified by using the Service Test mode. (See Table 4.)

### Gas Heat (48LC Units)

See Table 18 for general gas heating service analysis. See Fig. 24 for service analysis of the IGC board logic. Check the status LED on the IGC board for any flashing alarm codes and correct any causes. (See Table 19.)

### Electric Heat (50LC Units)

See Table 20 for electric heating service analysis.

**Table 18 – Gas Heating Service Analysis**

PROBLEM	CAUSE	REMEDY
<b>Heat Will Not Turn On.</b>	Unit is NOT configured for heat.	Check heating configurations using the SystemVu Display
<b>Burners Will Not Ignite.</b>	Active alarm.	Check active alarms using SystemVu Display and the IGC flash codes.
	No power to unit.	Check power supply, fuses, wiring, and circuit breakers.
	No power to IGC (Integrated Gas Control).	Check fuses and plugs.
	Heaters off due to time guard to prevent short cycling.	Check using SystemVu Display and the IGC flash codes.
	Thermostat or occupancy schedule set point not calling for Cooling.	Check using SystemVu Display.
	No gas at main burners.	Check gas line for air and purge as necessary. After purging gas line of air, allow gas to dissipate for at least 5 minutes before attempting to re-light unit.
	Water in gas line.	Drain water and install drip.
<b>Inadequate Heating.</b>	Dirty air filters.	Replace air filters.
	Gas input too low.	Check gas pressure at manifold. Refer to gas valve adjustment.
	Thermostat or occupancy schedule set point only calling for W1.	Allow time for W2 to energize or adjust setpoints.
	Unit undersized for load.	Decrease load or increase of size of unit.
	Restricted airflow.	Remove restriction. Check SAT compared to the SAT heating limits.
	Too much outdoor air.	Check economizer position and configuration. Adjust minimum position using SystemVu Display.
	Limit switch cycles main burners.	Check rotation of blower, thermostat heat anticipator settings, and temperature rise of unit. Adjust as needed.
<b>Poor Flame Characteristics.</b>	Incomplete combustion (lack of combustion air) results in: Aldehyde odors, CO, sooting flame, or floating flame.	Check all screws around flue outlets and burner compartment. Tighten as necessary.
		Cracked heat exchanger, replace.
		Unit is over-fired, reduce input. Adjust gas line or manifold pressure.
		Check vent for restriction. Clean as necessary.
<b>Burners Will Not Turn Off.</b>	Unit is in Minimum on-time.	Check using SystemVu Display and the IGC flash codes.
	Unit running in Service Test mode.	Check using SystemVu Display.
	Main gas valve stuck.	Turn off gas supply and unit power. Replace gas valve.

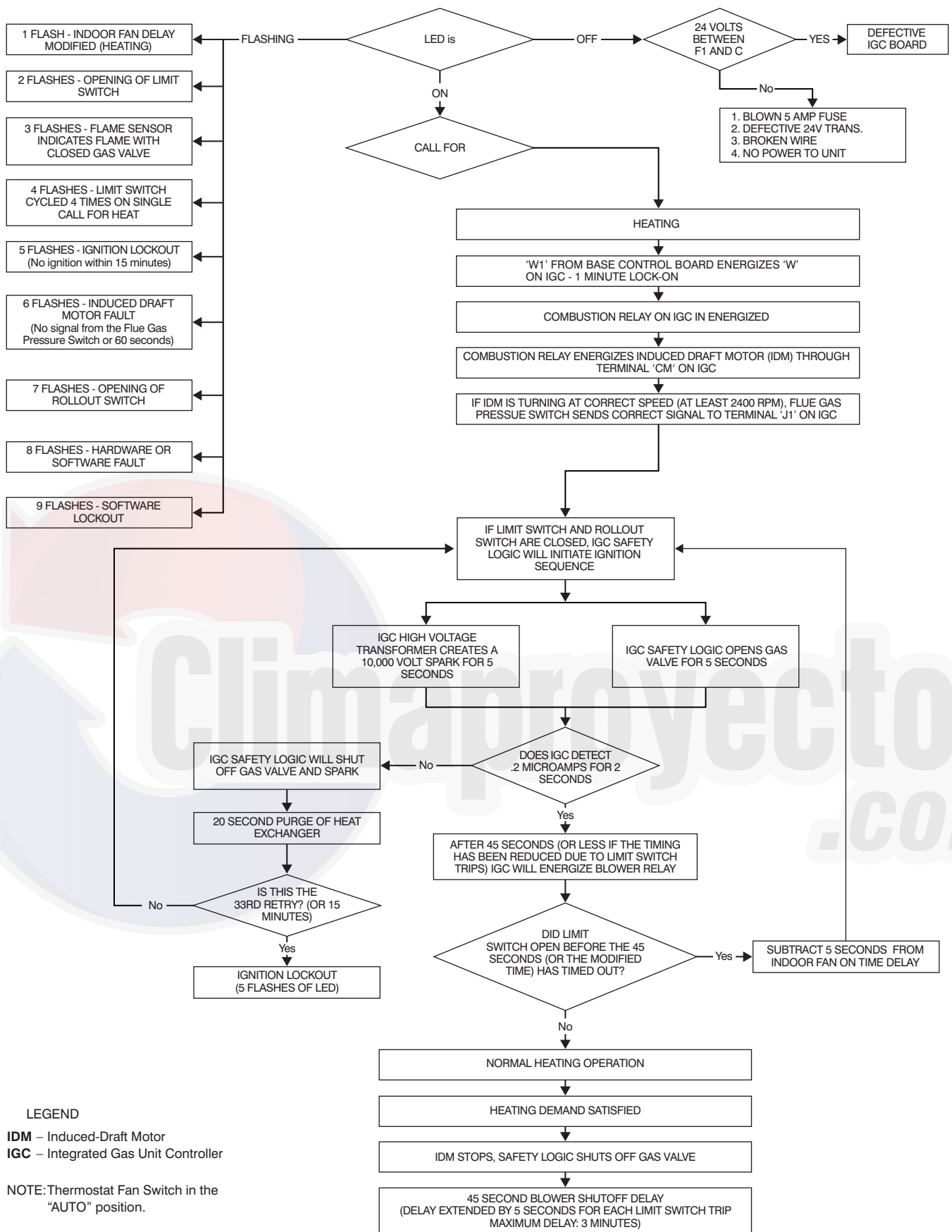


Fig. 24 - IGC Service Analysis Logic

a48-9375

**Table 19 – IGC Board LED Alarm Codes**

LED FLASH CODE	DESCRIPTION	ACTION TAKEN BY CONTROL	RESET METHOD	PROBABLE CAUSE
On	Normal Operation	—	—	—
Off	Hardware Failure	No gas heating.	—	Loss of power to the IGC. Check 5 amp fuse on IGC, power to unit, 24V circuit breaker, transformer, and wiring to the IGC.
1 Flash	Indoor Fan On/Off Delay Modified	5 seconds subtracted from On delay. 5 seconds added to Off delay (3 min max).	Power reset.	High temperature limit switch opens during heat exchanger warm-up period before fan-on delay expires. High temperature limit switch opens within 10 minutes of heat call (W) Off. See Limit Switch Fault.
2 Flashes	Limit Switch Fault	Gas valve and igniter Off. Indoor fan and inducer On.	Limit switch closed, or heat call (W) Off.	High temperature limit switch is open. Check the operation of the indoor (evaporator) fan motor. Ensure that the supply-air temperature rise is within the range on the unit nameplate. Check wiring and limit switch operation.
3 Flashes	Flame Sense Fault	Indoor fan and inducer On.	Flame sense normal. Power reset for LED reset.	The IGC sensed a flame when the gas valve should be closed. Check wiring, flame sensor, and gas valve operation.
4 Flashes	Four Consecutive Limit Switch Fault	No gas heating.	Heat call (W) Off. Power reset for LED reset.	4 consecutive limit switch faults within a single call for heat. See Limit Switch Fault.
5 Flashes	Ignition Fault	No gas heating.	Heat call (W) Off. Power reset for LED reset.	Unit unsuccessfully attempted ignition for 15 minutes. Check igniter and flame sensor electrode spacing, gaps, etc. Check flame sense and igniter wiring. Check gas valve operation and gas supply.
6 Flashes	Induced Draft Motor Fault	If heat off: no gas heating. If heat on: gas valve Off and inducer On.	Inducer sense normal, or heat call (W) Off.	Inducer sense On when heat call Off, or inducer sense Off when heat call On. Check wiring, voltage, and operation of IGC motor. Check speed sensor wiring to IGC.
7 Flashes	Rollout Switch Lockout	Gas valve and igniter Off. Indoor fan and inducer On.	Power reset.	Rollout switch has opened. Check gas valve operation. Check induced-draft blower wheel is properly secured to motor shaft.
8 Flashes	Internal Control Lockout	No gas heating.	Power reset.	IGC has sensed internal hardware or software error. If fault is not cleared by resetting 24 v power, replace the IGC.
9 Flashes	Temporary Software Lockout	No gas heating.	1 hour auto reset, or power reset.	Electrical interference is disrupting the IGC software.

**LEGEND**

- IGC – Integrated Gas Unit Control
- LED – Light-Emitting Diode

**NOTES:**

1. There is a 3–second pause between alarm code displays.
2. If more than one alarm code exists, all applicable alarm codes will be displayed in numerical sequence.
3. Alarm codes on the IGC will be lost if power to the unit is interrupted.

**Table 20 – Electric Heat Service Analysis**

PROBLEM	CAUSE	REMEDY
<b>Heat Will Not Turn On.</b>	Active alarm.	Check active alarms using SystemVu™ Display.
	Unit is NOT configured for heat.	Check heating configurations using the SystemVu Display
	No power to unit.	Check power supply, fuses, wiring, and circuit breakers.
	Unit is in minimum heat off-time, or minimum cool-heat changeover time.	Check using SystemVu Display.
	Thermostat or occupancy schedule setpoint not calling for heating.	Check using SystemVu Display.
	Heat forced off in Service Test mode.	Check using SystemVu Display. Turn Service Test mode off.
	No 24 VAC at heater contactor.	Check transformer and circuit breaker.
		Check auto-reset limit switches on heater.
Check manual-reset limit switch (LS) on indoor fan housing.		
Open temperature limit switch on heater.	Check minimum airflow. Check limit switch when it is cool, replace if open.	
<b>Inadequate Heating.</b>	Dirty air filters.	Replace air filters.
	Thermostat or occupancy schedule setpoint only calling for W1.	Allow time for W2 to energize or adjust setpoints.
	Heat undersized for load.	Decrease load or increase size of heater.
	Restricted airflow	Remove restriction. Check SAT compared to the SAT heating limits.
	Too much outdoor air.	Check economizer position and configuration. Adjust minimum position.
	Limit switch cycles heaters.	Check rotation of blower and minimum airflow.
	Bad heater elements.	Power off unit and remove high voltage wires. Check resistance of element, replace if open.
<b>Heat Will Not Turn Off.</b>	Unit is in minimum heat on-time.	Check using SystemVu Display.
	Thermostat or occupancy schedule setpoint still calling for heating.	Check using SystemVu Display.
	Heat forced on in Service Test mode.	Check using SystemVu Display. Turn Service Test mode off.
	Heater contactor failed.	Power off unit. Check contactor and replace if closed.

## Phase Protection

The phase loss protection option will monitor the three-phase electrical system to provide phase reversal and phase loss protection.

### Phase Reversal Protection

If the control senses an incorrect phase relationship, the relay (K1) will be de-energized (opening its contact). If the phase relationship is correct, the relay will be energized. The control has a self-bypass function after a pre-set time. If the control determines that the three phases stay in a correct relationship for 10 consecutive minutes, the relay will stay energized regardless of the phase sequence of three inputs as long as 24-VAC control voltage is applied. This self-bypass function will be reset if all three phases are restored in a phase loss event.

### Phase Loss Protection

If the reverse rotation board senses any one of the three phase inputs has no AC voltage, the relay will be de-energized (opening its contact). This protection is always active as long as 24-VAC control voltage is applied, and is not affected by the self by-pass function of the phase sequence monitoring function. However, in the event of phase loss, the relay will be re-energized only if all three phases are restored and the three phases are in the correct sequence.

A red LED is provided to indicate the function of the board. See the table below.

LED STATUS	FUNCTION
On Continuously	Relay contact closed (normal operation).
Blinking	Relay contact open (phase loss or phase reversal has occurred) — No power will be supplied to the control system.
Off	24-VAC control power not present (off).

## Thermistor Troubleshooting

The SystemVu™ controller uses thermistors to sense temperatures used to control operation of the unit. Resistances at various temperatures are listed in Table 21. Thermistor pin connection points are shown in the Major System Components section. The general locations of the thermistors are shown the Major System Components section.

### Air Temperatures

Air temperatures are measured with 10K thermistors. This includes supply-air temperature (SAT), outdoor-air temperature (OAT), space temperature sensors (T55, T56, T59), and return air temperature (RAT).

The supply air temperature (SAT) and outdoor air temperature (OAT) thermistors use a snap-mount to attach through the unit sheet metal panels. The snap-mount tabs must be flattened on the tip end of the sensor to release for removal from the panel. (See Fig. 25.) To reinstall, make sure the snap-mount tabs extend out.

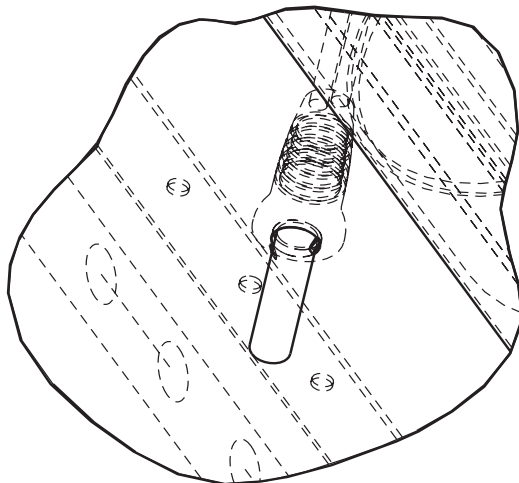


Fig. 25 - SAT and OAT Thermistor Mounting

C07015

## Thermistor/Temperature Sensor Check

A digital volt-ohmmeter is required to perform this check.

Connect the digital volt-ohmmeter across the appropriate thermistor terminals at the J8 connector on the Main Base Board (see Major System Components section).

Using the voltage reading obtained, read the sensor temperature from Table 21 (on page 45).

To check thermistor accuracy, measure temperature at probe location with an accurate thermocouple-type temperature-measuring instrument. Insulate thermocouple to avoid ambient temperatures from influencing reading. Temperature measured by thermocouple and temperature determined from thermistor voltage reading should be close, within 5°F if care was taken in applying thermocouple and taking readings.

If a more accurate check is required, unit must be shut down and thermistor removed and checked at a known temperature (freezing point or boiling point of water) using either voltage drop measured across thermistor at the J8 connector, or by determining the resistance with unit shut down and thermistor disconnected from J8. Compare the values determined with the value read by the control in the Temperatures mode using the SystemVu™ display.

## Sensor Trim

Corrective offsets can be applied to all the analog inputs. Trim can be used as a form of calibration. The trim works by adding or subtracting the specified amount on the specified analog input. These corrections should only be use when a proper calibrated tool is used to compare to the sensors reading. These corrections are only applied to the local sensor values, a building systems (BAS) communicating values will not account for these corrections. Use the **SERVICE → CALIBRATION** menu on the SystemVu Display to adjust these values.

## Transducer Troubleshooting

The electronic control uses suction and discharge pressure transducers to measure the pressure of the refrigerant circuits. The pressure/voltage characteristics of these transducers are in shown in Table 22 (on page 46) for suction transducers and Table 23 (on pages 47-48) for discharge transducers. The 5vdc power is applied to legs A and B of the transducer and legs B to C represent the signal voltage. To use the voltage drop table for troubleshooting, read the voltage across A and B, then subtract the voltage reading from B to C. The voltage drop can be looked up in Table 22 and Table 23 depending on the type of transducer. The accuracy of these transducers can be verified by connecting an accurate pressure gauge to the second refrigerant port in the suction and discharge lines.

**Table 21 – Temperature (°F) vs Resistance/Voltage Drop Values for OAT, RAT, SAT, and SPT Thermistors (10K at 25°C Type II Resistors)**

TEMP (F)	RESISTANCE (Ohms)	VOLTAGE DROP (V)	TEMP (F)	RESISTANCE (Ohms)	VOLTAGE DROP (V)	TEMP (F)	RESISTANCE (Ohms)	VOLTAGE DROP (V)
-25	196,453	4.758	59	15,714	3.056	143	2,343	0.949
-24	189,692	4.750	60	15,317	3.025	144	2,297	0.934
-23	183,300	4.741	61	14,925	2.994	145	2,253	0.919
-22	177,000	4.733	62	14,549	2.963	146	2,209	0.905
-21	171,079	4.724	63	14,180	2.932	147	2,166	0.890
-20	165,238	4.715	64	13,824	2.901	148	2,124	0.876
-19	159,717	4.705	65	13,478	2.870	149	2,083	0.862
-18	154,344	4.696	66	13,139	2.839	150	2,043	0.848
-17	149,194	4.686	67	12,814	2.808	151	2,003	0.835
-16	144,250	4.676	68	12,493	2.777	152	1,966	0.821
-15	139,443	4.665	69	12,187	2.746	153	1,928	0.808
-14	134,891	4.655	70	11,884	2.715	154	1,891	0.795
-13	130,402	4.644	71	11,593	2.684	155	1,855	0.782
-12	126,183	4.633	72	11,308	2.653	156	1,820	0.770
-11	122,018	4.621	73	11,031	2.622	157	1,786	0.758
-10	118,076	4.609	74	10,764	2.592	158	1,752	0.745
-9	114,236	4.597	75	10,501	2.561	159	1,719	0.733
-8	110,549	4.585	76	10,249	2.530	160	1,687	0.722
-7	107,006	4.572	77	10,000	2.500	161	1,656	0.710
-6	103,558	4.560	78	9,762	2.470	162	1,625	0.699
-5	100,287	4.546	79	9,526	2.439	163	1,594	0.687
-4	97,060	4.533	80	9,300	2.409	164	1,565	0.676
-3	94,020	4.519	81	9,078	2.379	165	1,536	0.666
-2	91,019	4.505	82	8,862	2.349	166	1,508	0.655
-1	88,171	4.490	83	8,653	2.319	167	1,480	0.645
0	85,396	4.476	84	8,448	2.290	168	1,453	0.634
1	82,729	4.461	85	8,251	2.260	169	1,426	0.624
2	80,162	4.445	86	8,056	2.231	170	1,400	0.614
3	77,662	4.429	87	7,869	2.202	171	1,375	0.604
4	75,286	4.413	88	7,685	2.173	172	1,350	0.595
5	72,940	4.397	89	7,507	2.144	173	1,326	0.585
6	70,727	4.380	90	7,333	2.115	174	1,302	0.576
7	68,542	4.363	91	7,165	2.087	175	1,278	0.567
8	66,465	4.346	92	6,999	2.059	176	1,255	0.558
9	64,439	4.328	93	6,838	2.030	177	1,233	0.549
10	62,491	4.310	94	6,683	2.003	178	1,211	0.540
11	60,612	4.292	95	6,530	1.975	179	1,190	0.532
12	58,781	4.273	96	6,383	1.948	180	1,169	0.523
13	57,039	4.254	97	6,238	1.921	181	1,148	0.515
14	55,319	4.235	98	6,098	1.894	182	1,128	0.507
15	53,693	4.215	99	5,961	1.867	183	1,108	0.499
16	52,086	4.195	100	5,827	1.841	184	1,089	0.491
17	50,557	4.174	101	5,698	1.815	185	1,070	0.483
18	49,065	4.153	102	5,571	1.789	186	1,052	0.476
19	47,627	4.132	103	5,449	1.763	187	1,033	0.468
20	46,240	4.111	104	5,327	1.738	188	1,016	0.461
21	44,888	4.089	105	5,210	1.713	189	998	0.454
22	43,598	4.067	106	5,095	1.688	190	981	0.447
23	42,324	4.044	107	4,984	1.663	191	964	0.440
24	41,118	4.021	108	4,876	1.639	192	947	0.433
25	39,926	3.998	109	4,769	1.615	193	931	0.426
26	38,790	3.975	110	4,666	1.591	194	915	0.419
27	37,681	3.951	111	4,564	1.567	195	900	0.413
28	36,610	3.927	112	4,467	1.544	196	885	0.407
29	35,577	3.903	113	4,370	1.521	197	870	0.400
30	34,569	3.878	114	4,277	1.498	198	855	0.394
31	33,606	3.853	115	4,185	1.475	199	841	0.388
32	32,654	3.828	116	4,096	1.453	200	827	0.382
33	31,752	3.802	117	4,008	1.431	201	814	0.376
34	30,860	3.776	118	3,923	1.409	202	800	0.370
35	30,009	3.750	119	3,840	1.387	203	787	0.365
36	29,177	3.723	120	3,759	1.366	204	774	0.359
37	28,373	3.697	121	3,681	1.345	205	762	0.354
38	27,597	3.670	122	3,603	1.324	206	749	0.349
39	26,838	3.654	123	3,529	1.304	207	737	0.343
40	26,113	3.615	124	3,455	1.284	208	725	0.338
41	25,396	3.587	125	3,383	1.264	209	714	0.333
42	24,715	3.559	126	3,313	1.244	210	702	0.328
43	24,042	3.531	127	3,244	1.225	211	691	0.323
44	23,399	3.503	128	3,178	1.206	212	680	0.318
45	22,770	3.474	129	3,112	1.187	213	670	0.314
46	22,161	3.445	130	3,049	1.168	214	659	0.309
47	21,573	3.416	131	2,986	1.150	215	649	0.305
48	20,998	3.387	132	2,926	1.132	216	639	0.300
49	20,447	3.357	133	2,866	1.114	217	629	0.296
50	19,903	3.328	134	2,809	1.096	218	620	0.292
51	19,386	3.298	135	2,752	1.079	219	610	0.288
52	18,874	3.268	136	2,697	1.062	220	601	0.284
53	18,384	3.238	137	2,643	1.045	221	592	0.279
54	17,904	3.208	138	2,590	1.028	222	583	0.275
55	17,441	3.178	139	2,539	1.012	223	574	0.272
56	16,991	3.147	140	2,488	0.996	224	566	0.268
57	16,552	3.117	141	2,439	0.980	225	557	0.264
58	16,131	3.086	142	2,391	0.965			

Table 22 – Pressure (psig) vs. Voltage Drop Values for Suction Pressure Transducers

PRESSURE (psig)	VOLTAGE DROP (V)	PRESSURE (psig)	VOLTAGE DROP (V)	PRESSURE (psig)	VOLTAGE DROP (V)	PRESSURE (psig)	VOLTAGE DROP (V)
0	0.465	68	1.135	136	1.804	204	2.474
2	0.485	70	1.154	138	1.824	206	2.493
4	0.505	72	1.174	140	1.844	208	2.513
6	0.524	74	1.194	142	1.863	210	2.533
8	0.544	76	1.214	144	1.883	212	2.553
10	0.564	78	1.233	146	1.903	214	2.572
12	0.583	80	1.253	148	1.922	216	2.592
14	0.603	82	1.273	150	1.942	218	2.612
16	0.623	84	1.292	152	1.962	220	2.631
18	0.642	86	1.312	154	1.982	222	2.651
20	0.662	88	1.332	156	2.001	224	2.671
22	0.682	90	1.351	158	2.021	226	2.690
24	0.702	92	1.371	160	2.041	228	2.710
26	0.721	94	1.391	162	2.060	230	2.730
28	0.741	96	1.410	164	2.080	232	2.749
30	0.761	98	1.430	166	2.100	234	2.769
32	0.780	100	1.450	168	2.119	236	2.789
34	0.800	102	1.470	170	2.139	238	2.809
36	0.820	104	1.489	172	2.159	240	2.828
38	0.839	106	1.509	174	2.178	242	2.848
40	0.859	108	1.529	176	2.198	244	2.868
42	0.879	110	1.548	178	2.218	246	2.887
44	0.898	112	1.568	180	2.237	248	2.907
46	0.918	114	1.588	182	2.257	250	2.927
48	0.938	116	1.607	184	2.277	252	2.946
50	0.958	118	1.627	186	2.297	254	2.966
52	0.977	120	1.647	188	2.316	256	2.986
54	0.997	122	1.666	190	2.336	258	3.005
56	1.017	124	1.686	192	2.356	260	3.025
58	1.036	126	1.706	194	2.375	262	3.045
60	1.056	128	1.726	196	2.395	264	3.065
62	1.076	130	1.745	198	2.415	266	3.084
64	1.095	132	1.765	200	2.434	268	3.104
66	1.115	134	1.785	202	2.454	270	3.124

**Table 23 – Discharge Pressure Transducer (psig) vs. Voltage**

PRESSURE (psig)	VOLTAGE DROP (V)	PRESSURE (psig)	VOLTAGE DROP (V)	PRESSURE (psig)	VOLTAGE DROP (V)	PRESSURE (psig)	VOLTAGE DROP (V)
14.5	0.500	95	0.993	176	1.490	257	1.987
16	0.509	96	1.000	177	1.496	258	1.993
17	0.515	97	1.006	178	1.502	259	1.999
18	0.521	98	1.012	179	1.508	260	2.005
19	0.528	99	1.018	180	1.515	261	2.011
20	0.534	100	1.024	181	1.521	262	2.017
21	0.540	101	1.030	182	1.527	263	2.023
22	0.546	102	1.036	183	1.533	264	2.029
23	0.552	103	1.043	184	1.539	265	2.036
24	0.558	104	1.049	185	1.545	266	2.042
25	0.564	105	1.055	186	1.551	267	2.048
26	0.570	106	1.061	187	1.557	268	2.054
27	0.577	107	1.067	188	1.564	269	2.060
28	0.583	108	1.073	189	1.570	270	2.066
29	0.589	109	1.079	190	1.576	271	2.072
30	0.595	110	1.085	191	1.582	272	2.079
31	0.601	111	1.092	192	1.588	273	2.085
32	0.607	112	1.098	193	1.594	274	2.091
33	0.613	113	1.104	194	1.600	275	2.097
34	0.620	114	1.110	195	1.606	276	2.103
35	0.626	115	1.116	196	1.613	277	2.109
35	0.626	116	1.122	197	1.619	278	2.115
36	0.632	117	1.128	198	1.625	279	2.121
37	0.638	118	1.134	199	1.631	280	2.128
38	0.644	119	1.141	200	1.637	281	2.134
39	0.650	120	1.147	201	1.643	282	2.140
40	0.656	121	1.153	202	1.649	283	2.146
41	0.662	122	1.159	203	1.656	284	2.152
42	0.669	123	1.165	204	1.662	285	2.158
43	0.675	124	1.171	205	1.668	286	2.164
44	0.681	125	1.177	206	1.674	287	2.170
45	0.687	126	1.184	207	1.680	288	2.177
46	0.693	127	1.190	208	1.686	289	2.183
47	0.699	128	1.196	209	1.692	290	2.189
48	0.705	129	1.202	210	1.698	291	2.195
49	0.711	130	1.208	211	1.705	292	2.201
50	0.718	131	1.214	212	1.711	293	2.207
51	0.724	132	1.220	213	1.717	294	2.213
52	0.730	133	1.226	214	1.723	295	2.220
53	0.736	134	1.233	215	1.729	296	2.226
54	0.742	135	1.239	216	1.735	297	2.232
55	0.748	136	1.245	217	1.741	298	2.238
56	0.754	137	1.251	218	1.747	299	2.244
57	0.761	138	1.257	219	1.754	300	2.250
58	0.767	139	1.263	220	1.760	301	2.256
59	0.773	140	1.269	221	1.766	302	2.262
60	0.779	141	1.275	222	1.772	303	2.269
61	0.785	142	1.282	223	1.778	304	2.275
62	0.791	143	1.288	224	1.784	305	2.281
63	0.797	144	1.294	225	1.790	306	2.287
64	0.803	145	1.300	226	1.797	307	2.293
65	0.810	146	1.306	227	1.803	308	2.299
66	0.816	147	1.312	228	1.809	309	2.305
67	0.822	148	1.318	229	1.815	310	2.311
68	0.828	149	1.325	230	1.821	311	2.318
69	0.834	150	1.331	231	1.827	312	2.324
70	0.840	151	1.337	232	1.833	313	2.330
71	0.846	152	1.343	233	1.839	314	2.336
72	0.852	153	1.349	234	1.846	315	2.342
73	0.859	154	1.355	235	1.852	316	2.348
74	0.865	155	1.361	236	1.858	317	2.354
75	0.871	156	1.367	237	1.864	318	2.361
76	0.877	157	1.374	238	1.870	319	2.367
77	0.883	158	1.380	239	1.876	320	2.373
78	0.889	159	1.386	240	1.882	321	2.379
79	0.895	160	1.392	241	1.888	322	2.385
80	0.902	161	1.398	242	1.895	323	2.391
81	0.908	162	1.404	243	1.901	324	2.397
82	0.914	163	1.410	244	1.907	325	2.403
83	0.920	164	1.416	245	1.913	326	2.410
84	0.926	165	1.423	246	1.919	327	2.416
85	0.932	166	1.429	247	1.925	328	2.422
86	0.938	167	1.435	248	1.931	329	2.428
87	0.944	168	1.441	249	1.938	330	2.434
88	0.951	169	1.447	250	1.944	331	2.440
89	0.957	170	1.453	251	1.950	332	2.446
90	0.963	171	1.459	252	1.956	333	2.452
91	0.969	172	1.466	253	1.962	334	2.459
92	0.975	173	1.472	254	1.968	335	2.465
93	0.981	174	1.478	255	1.974	336	2.471
94	0.987	175	1.484	256	1.980	337	2.477

**Table 23 - Discharge Pressure Transducer (psig) vs. Voltage (cont)**

PRESSURE (psig)	VOLTAGE DROP (V)	PRESSURE (psig)	VOLTAGE DROP (V)	PRESSURE (psig)	VOLTAGE DROP (V)	PRESSURE (psig)	VOLTAGE DROP (V)
338	2.483	421	2.992	504	3.501	587	4.010
339	2.489	422	2.998	505	3.507	588	4.016
340	2.495	423	3.004	506	3.513	589	4.022
341	2.502	424	3.010	507	3.519	590	4.028
342	2.508	425	3.016	508	3.525	591	4.034
343	2.514	426	3.023	509	3.531	592	4.040
344	2.520	427	3.029	510	3.538	593	4.046
345	2.526	428	3.035	511	3.544	594	4.052
346	2.532	429	3.041	512	3.550	595	4.059
347	2.538	430	3.047	513	3.556	596	4.065
348	2.544	431	3.053	514	3.562	597	4.071
349	2.551	432	3.059	515	3.568	598	4.077
350	2.557	433	3.066	516	3.574	599	4.083
351	2.563	434	3.072	517	3.580	600	4.089
352	2.569	435	3.078	518	3.587	601	4.095
353	2.575	436	3.084	519	3.593	602	4.102
354	2.581	437	3.090	520	3.599	603	4.108
355	2.587	438	3.096	521	3.605	604	4.114
356	2.593	439	3.102	522	3.611	605	4.120
357	2.600	440	3.108	523	3.617	606	4.126
358	2.606	441	3.115	524	3.623	607	4.132
359	2.612	442	3.121	525	3.629	608	4.138
360	2.618	443	3.127	526	3.636	609	4.144
361	2.624	444	3.133	527	3.642	610	4.151
362	2.630	445	3.139	528	3.648	611	4.157
363	2.636	446	3.145	529	3.654	612	4.163
364	2.643	447	3.151	530	3.660	613	4.169
365	2.649	448	3.157	531	3.666	614	4.175
366	2.655	449	3.164	532	3.672	615	4.181
367	2.661	450	3.170	533	3.679	616	4.187
368	2.667	451	3.176	534	3.685	617	4.193
369	2.673	452	3.182	535	3.691	618	4.200
370	2.679	453	3.188	536	3.697	619	4.206
371	2.685	454	3.194	537	3.703	620	4.212
372	2.692	455	3.200	538	3.709	621	4.218
373	2.698	456	3.206	539	3.715	622	4.224
374	2.704	457	3.213	540	3.721	623	4.230
375	2.710	458	3.219	541	3.728	624	4.236
376	2.716	459	3.225	542	3.734	625	4.243
377	2.722	460	3.231	543	3.740	626	4.249
378	2.728	461	3.237	544	3.746	627	4.255
379	2.734	462	3.243	545	3.752	628	4.261
380	2.741	463	3.249	546	3.758	629	4.267
381	2.747	464	3.256	547	3.764	630	4.273
382	2.753	465	3.262	548	3.770	631	4.279
383	2.759	466	3.268	549	3.777	632	4.285
384	2.765	467	3.274	550	3.783	633	4.292
385	2.771	468	3.280	551	3.789	634	4.298
386	2.777	469	3.286	552	3.795	635	4.304
387	2.784	470	3.292	553	3.801	636	4.310
388	2.790	471	3.298	554	3.807	637	4.316
389	2.796	472	3.305	555	3.813	638	4.322
390	2.802	473	3.311	556	3.820	639	4.328
391	2.808	474	3.317	557	3.826	640	4.334
392	2.814	475	3.323	558	3.832	641	4.341
393	2.820	476	3.329	559	3.838	642	4.347
394	2.826	477	3.335	560	3.844	643	4.353
395	2.833	478	3.341	561	3.850	644	4.359
396	2.839	479	3.347	562	3.856	645	4.365
397	2.845	480	3.354	563	3.862	646	4.371
398	2.851	481	3.360	564	3.869	647	4.377
399	2.857	482	3.366	565	3.875	648	4.384
400	2.863	483	3.372	566	3.881	649	4.390
401	2.869	484	3.378	567	3.887	650	4.396
402	2.875	485	3.384	568	3.893	651	4.402
403	2.882	486	3.390	569	3.899	652	4.408
404	2.888	487	3.397	570	3.905	653	4.414
405	2.894	488	3.403	571	3.911	654	4.420
406	2.900	489	3.409	572	3.918	655	4.426
407	2.906	490	3.415	573	3.924	656	4.433
408	2.912	491	3.421	574	3.930	657	4.439
409	2.918	492	3.427	575	3.936	658	4.445
410	2.925	493	3.433	576	3.942	659	4.451
411	2.931	494	3.439	577	3.948	660	4.457
412	2.937	495	3.446	578	3.954	661	4.463
413	2.943	496	3.452	579	3.961	662	4.469
414	2.949	497	3.458	580	3.967	663	4.475
415	2.955	498	3.464	581	3.973	664	4.482
416	2.961	499	3.470	582	3.979	665	4.488
417	2.967	500	3.476	583	3.985	666	4.494
418	2.974	501	3.482	584	3.991	667	4.500
419	2.980	502	3.488	585	3.997		
420	2.986	503	3.495	586	4.003		













12.5 - 23 TON YAC, PAC POWER  
460, 575V 3 PH

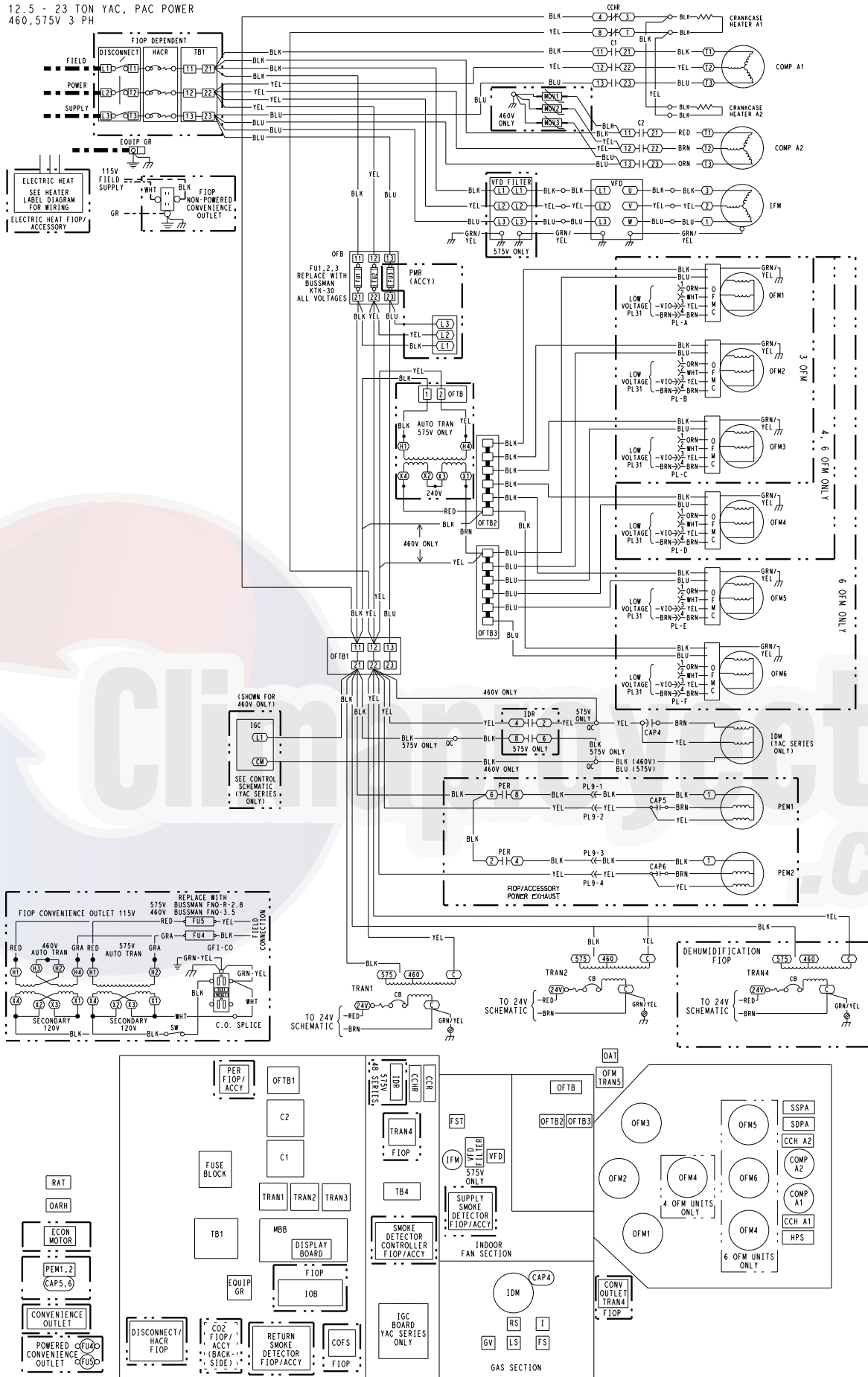


Fig. 31 - 48/50LC 14-26 SystemVu™ Power Schematic

50LC500885 E

a48-9944

## Main Base Board (MBB)

See Fig. 32 and Table 24. The majority of the I/O is connected to the MBB which executes the controls operation of the unit from the software that is loaded onto it.

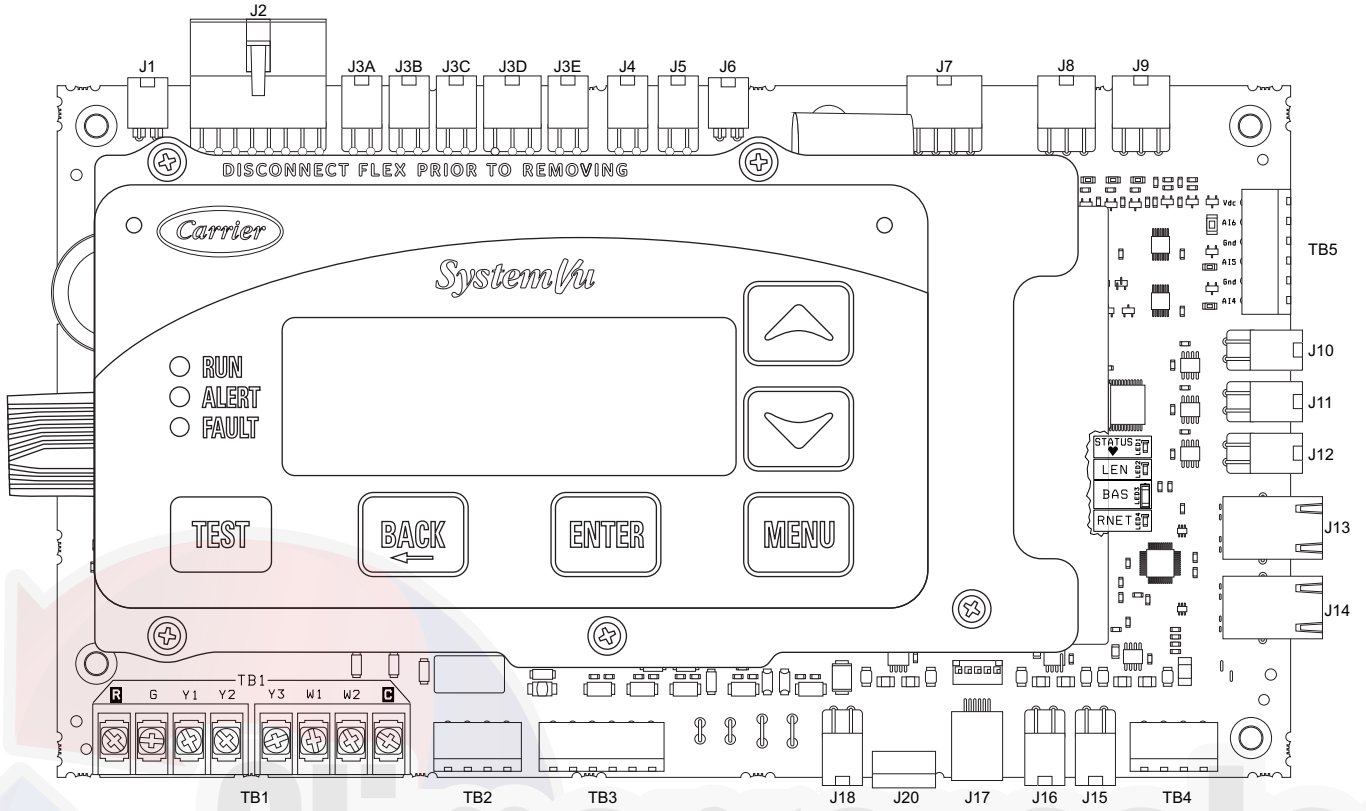


Fig. 32 - Main Base Board (MBB)

C150161

**Table 24 – Main Base Board (MBB) Connections**

DISPLAY NAME	SENSOR LOCATION	I/O TYPE	POINT NAME	CONNECTION PIN NUMBER
<b>INPUTS</b>				
Input power from TRAN2	Control Box	24 VAC		J2, 1 & 8
COFS	Dain Pan	24 VAC	COFS	J4, 1–4
FIRE SHUTDOWN	Supply/Return/Space	Switch input	FIREDOWN	J5, 1–4
IGC FAN REQUEST	Gas section	Switch input	IGC_IFO	J6, 1–2
RARH LEVEL	Return/Space	0–20 mA	RARH	J7, 1, 5–6
OARH LEVEL	Economizer	0–20 mA	OARH	J7, 2, 6–7
ECON ACT POSITION	Economizer	2–10vdc	DAMPPOS	J7, 3, 8
FAN SUPPLY TEMP	Indoor fan housing	10k thermistor	FST	J8, 1, 4
RETURN AIR TEMP	Return	10k thermistor	RAT	J8, 2, 5
OUTDOOR AIR TEMP	Outdoor coil	10k thermistor	OAT	J8, 3, 6
CIR.A SUC. PRESS	Circuit A Suction pipe	0–5 VDC pressure transducer	SSP_A	J9, 1–2, 5
CIR.A DIS. PRESS	Circuit A Discharge pipe	0–5 VDC pressure transducer	SDP_A	J9, 4–3, 6
IAQ LEVEL	Return/Space	0–20 mA	IAQ	TB5, 4–6
SLIDER OFFSET VAL	Space	10k thermistor	SPTO	TB5, 2–3
SPACE TEMPERATURE	Space	10k thermistor	SPACE_T	TB5, 1–2
CIR.A HPS	Circuit A Discharge pipe	Switch Input	CIRA_HPS	QC, 1–2J18, 1, 3
Configurable	Field–installed	Switch Input		QC, 3–4J18, 2,4
REMOTE OCC SWITCH	Field–installed	Switch Input	REMOCC	TB3, 1–2
REMOTE SHUTDOWN	Field–installed	Switch Input	REMSHUT	TB3, 3–4
FILTER STATUS SW	Indoor fan section	Switch Input	FILTSTAT	TB3, 5–6
TSTAT G INPUT	Space	Switch Input	G	TB1, G
TSTAT Y1 INPUT	Space	Switch Input	Y1	TB1, Y1
TSTAT Y2 INPUT	Space	Switch Input	Y2	TB1, Y2
TSTAT Y3 INPUT	Space	Switch Input	Y3	TB1, Y3
TSTAT W1 INPUT	Space	Switch Input	W1	TB1, W1
TSTAT W2 INPUT	Space	Switch Input	W2	TB1, W2
<b>OUTPUTS</b>				
Optional power out	Not Used	24 VAC		J1, 1–2
ECON CMD POSITION		0–20 mA	DAMPCMD	J7, 4, 8
ODF SPEED OUT 1		PWM1	ODF1SPD	J10, 1–4
ODF SPEED OUT 2		PWM2	ODF2SPD	J11, 1–4
ODF SPEED OUT 3		PWM3	ODF3SPD	J12, 1–4
ALARM RELAY		Relay	ALMOUT	TB2, 3–4
not used	Not Used	Relay		J3A, 1, 3
not used	Not Used	Relay		J3A, 2, 4
not used	Not Used	Relay		J3B, 1, 3
not used	Not Used	Relay		J3B, 2, 4
PE1 RELAY		Relay	PE1	J3C, 1–4
CCH RELAY		Relay	CCHR1	J3D, 1, 4
COMPRESSOR A2		Relay	COMP_A2	J3D, 2, 5
COMPRESSOR A1		Relay	COMP_A1	J3D, 3, 6
HEAT 2 RELAY		Relay	HEAT_2	J3E, 1, 3
HEAT 1 RELAY		Relay	HEAT_1	J3E, 2, 4
<b>COMMUNICATION</b>				
Building Automated System (BAS)	Building	Communication		TB4, 1–5
Ethernet	Not Used	Communication		J13, J14
IDF SPEED OUTPUT	Indoor fan section	Communication	FANSPEED	J15, 1–4
Expansion LEN Bus	Not Used	Communication		J16, 1–4
Local Equipment Network (LEN)		Communication		J17
RNET Sensors	Building	Communication		J20, 1–4
Display Copper Cable		Communication		J23
RNET Service Access		Communication		J24, 1–5
<b>DISPLAY CONNECTIONS</b>				
Display Copper Cable		Communication		J1
Local Equipment Network (LEN)		Communication		J2
USB–A		Communication		J3
USB–B	Not Used	Communication		J4
Keypad Ribbon Cable		Communication		J6



## Input-Output Board (IOB)

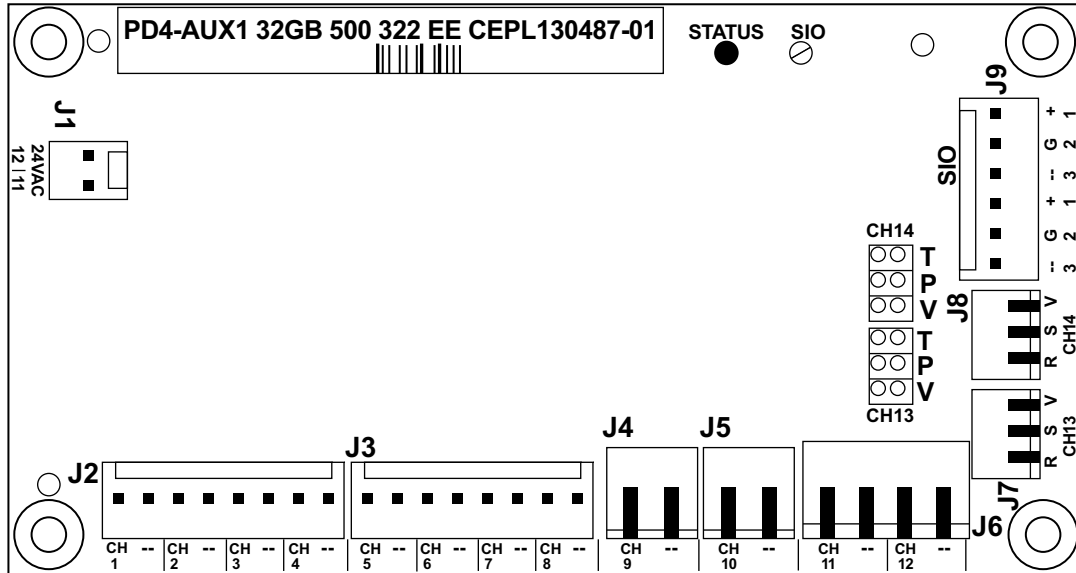


Fig. 33 - Input-Output Board (IOB)

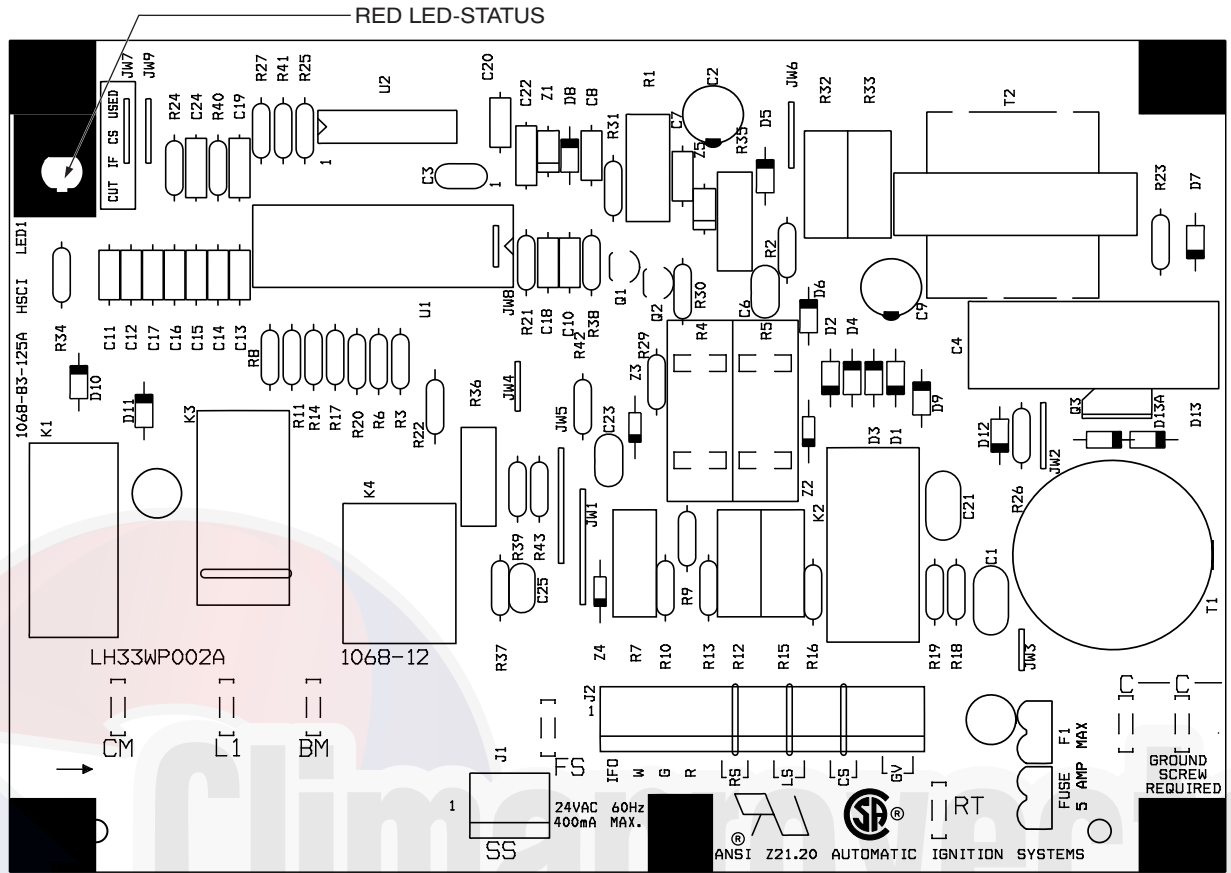
a50-9608

Table 25 – Input-Output Board (IOB) Connections

DISPLAY NAME	POINT DESCRIPTION	SENSOR LOCATION	TYPE OF I/O	CONNECTION PIN NUMBER
<b>INPUTS</b>				
HUM	HUMIDISTAT	Field-installed	Switch Input	J1.1
SPRH	SPACE RELATIVE HUMIDITY	Field-installed	0-20 mA	J9.2
<b>OUTPUTS</b>				
RDV	REHEAT DISCHARGE VALVE		24 VAC	J2, 1
LDV	LIQUID DISCHARGE VALVE		24 VAC	J2, 2
<b>COMMUNICATION</b>				
LEN	LOCAL EQUIPMENT NETWORK (LEN)		Communication	J12

## Integrated Gas Control (IGC) Board

The IGC is provided on gas heat units. The IGC controls the direct spark ignition system and monitors the rollout switch, limit switch, and flue gas pressure switch.



C07028

Fig. 34 - Integrated Gas Control (IGC) Board

Table 26 – Integrated Gas Control (IGC) Board Connections

TERMINAL LABEL	POINT DESCRIPTION	SENSOR LOCATION	TYPE OF I/O	CONNECTION PIN NUMBER
<b>INPUTS</b>				
RT, C	Power for IDR on 575v units	control box	24 VAC	Spade
C	Input power common			Spade
SS	Speed sensor	gas section	analog input	J1, 1-3
FS, T1	Flame sensor	gas section	switch input	Spade
W	Heat stage 1 Call	MBB to IGC	24 VAC	J2, 2
G	Indoor Fan Call	not used	24 VAC	J2, 3
R	Input power from TRAN 1	TB4 to IGC	24 VAC	J2, 4
RS	Rollout switch	gas section	switch input	J2, 5-6
LS	Limit switch	gas section	switch input	J2, 7-8
CS	Centrifugal switch (not used)		switch input	J2, 9-10
<b>OUTPUTS</b>				
L1, CM	Induced draft combustion motor or relay	gas section	line VAC	
IFO	Indoor fan request	IGC to MBB	relay	J2, 1
GV (W1)	Gas valve (heat stage 1)	gas section	relay	J2, 12
GV (W2)	Gas Valve (heat stage 2, from CTB)	gas section	Not on IGC	

## Protective Devices

### Compressor Protection

#### **Overcurrent**

Each compressor has internal line break motor protection.

#### **Overtemperature**

Each compressor has an internal protector to protect it against excessively high discharge gas temperatures.

#### **High-Pressure Switch**

If the high-pressure switch trips, the compressor will shut down and the Circuit A High Pressure Alert will activate. Refer to the alarm section for the High pressure alert.

### Evaporator Fan Motor Protection

In the belt drive application, the VFD serves as the motor thermal and over-current protection. Refer to Major Component's section for more detail on the VFD.

**⚠ CAUTION**

**EQUIPMENT DAMAGE HAZARD**

Failure to follow this caution may result in damage to the unit. DO not bypass the VFD while running the motor. Do not change VFD parameter associated with motor characteristics, these are factory programmed for motor protection. Damage to the motor or the VFD can occur.

### Condenser-Fan Motor Protection

The ECM motor is protected from locked rotor and over-current protection through the electronic control module attached to the motor.

### Saturated Suction Pressure (SSP)

If the SSP for a particular circuit is reading below the alarm set point for an extended period of time, that circuit will be shut down. After 15 minutes, the alarm will automatically reset. If this alarm occurs 3 times consecutively, the circuit will remain locked out until an alarm reset is initiated via CCN or manually via the SystemVu™ controller display (see Alarms and Alerts section for more details).

### Condensate Overflow Switch (COFS)

A separate factory installed device can detect a full drain pan. This device consists of a pan sensor to detect the water level and a relay control switch to read the sensor. The control switch is located in the unit control box and feeds into the SystemVu control to trip a condensate overflow fault. The relay switch is a normally open device that closes when power is applied. If the sensor detects high water levels for 10 seconds straight, it will open the contact removing the input provided to the SystemVu control. The switch will also turn its red LED on. If the water level is low enough for 5 minutes the relay will close again applying the input back to the SystemVu controller. A blinking red LED on the switch indicates that the sensor has been disconnected.

## Space Mounted Sensors

### Space Temperature Sensor (T-55)

The T-55 space temperature sensor (part no. 33ZCT55SPT) is a field-installed accessory. The sensor is installed on a building interior wall to measure room air temperature. The T-55 sensor also includes an override button on the front cover to permit occupants to override the Unoccupied Schedule (if programmed).

TB5-1 . . . . . Sensor Input

TB5-2 . . . . . Sensor Common

### Space Temperature Sensor (T-56)

The T-56 space temperature sensor (part no. 33ZCT56SPT) is a field-installed accessory. This sensor includes a sliding scale on the front cover that permits an occupant to adjust the space temperature set point remotely. The T-56 sensor also includes an override button on the front cover to allow occupants to override the unoccupied schedule (if programmed).

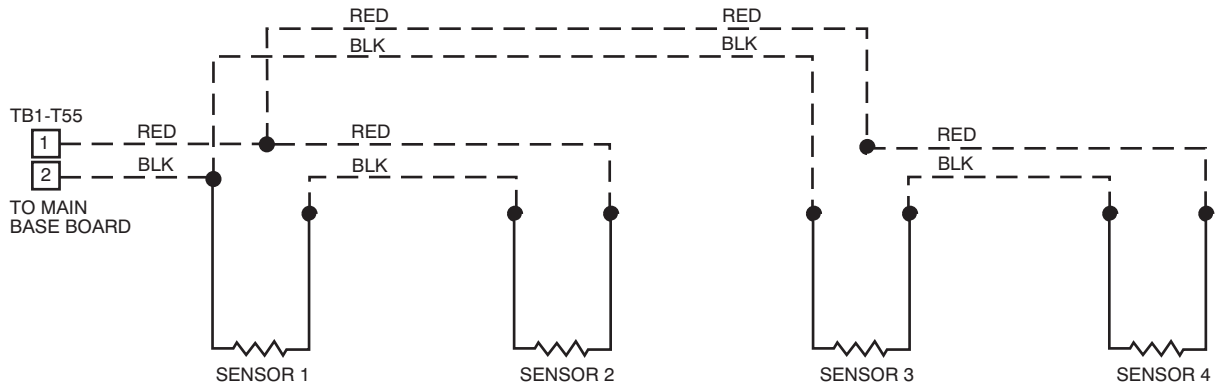
TB5-1 . . . . . Sensor Input

TB5-2 . . . . . Sensor Common

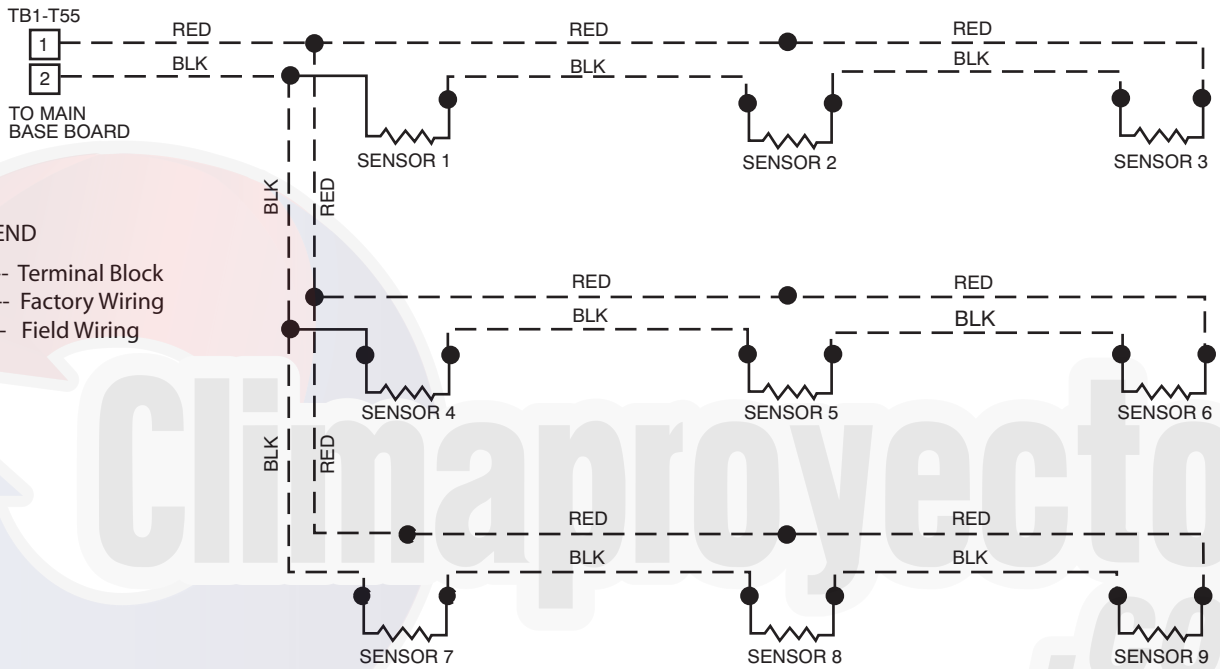
TB5-3 . . . . . Setpoint Offset Input

### Space Temperature Sensor Averaging

See Fig. 35 for space temperature averaging with T-55 sensors only. If the use of one T-56 sensor is required, refer to Fig. 36.



SPACE TEMPERATURE AVERAGING --4 T-55 SENSOR APPLICATION



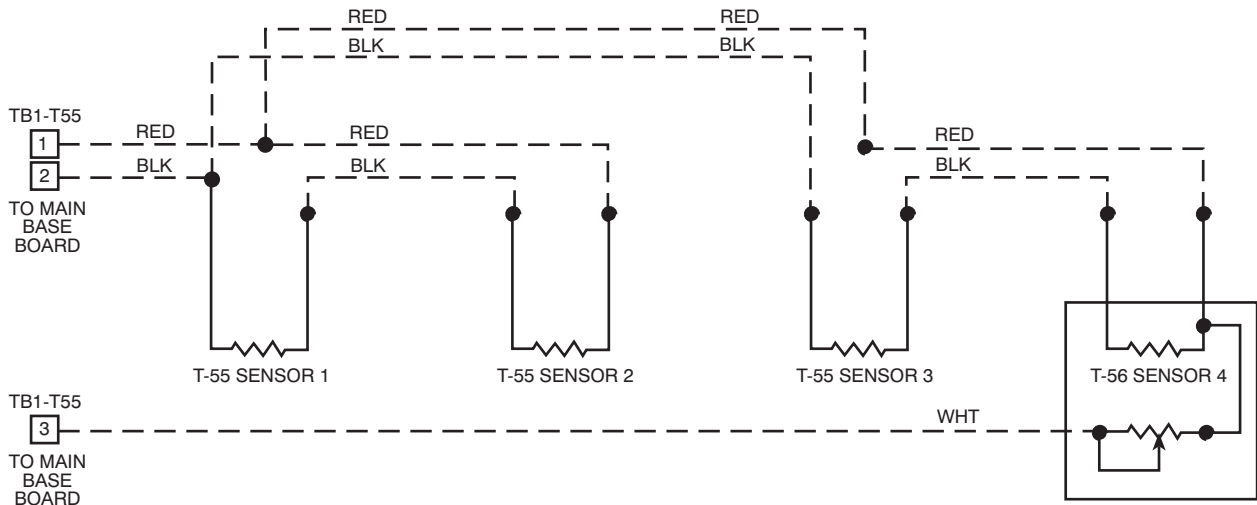
LEGEND

- TB -- Terminal Block
- Factory Wiring
- - - Field Wiring

SPACE TEMPERATURE AVERAGING --9 T-55 SENSOR APPLICATION

C07032

Fig. 35 - Space Temperature Sensor Averaging



C07033

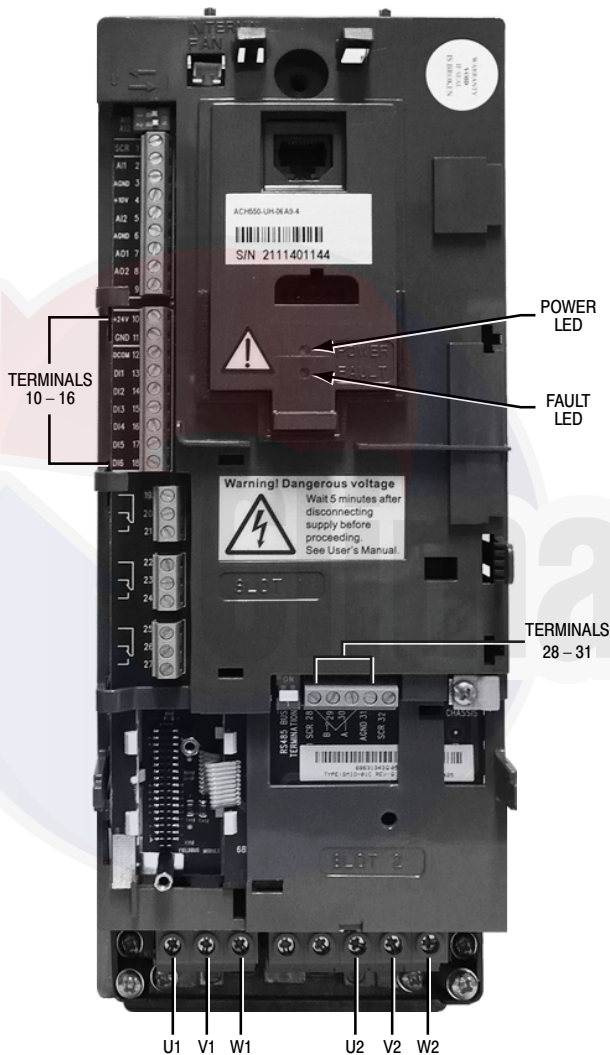
Fig. 36 - Space Temperature Sensor Averaging with 3 T-55 Sensors and One T-56 Sensor

## Variable Frequency Drive (VFD)

VFDs are available as a factory-installed option for LC series units. Size 04-06 units use ABB VFDs while sizes 07-26 use Danfoss VFDs. For details on size 07-26 units with VFDs continue at page 65.

### LC 04-06 Variable Frequency Drive (ABB VFD)

On units equipped with supply fan VFDs, the indoor fan motor is controlled by a 3-phase VFD. The supply fan VFD is located in the supply fan section behind the access door. These units use ABB VFDs. The VFD varies the frequency of the AC voltage supplied to the indoor fan. This allows the variance in the speed of the fan. The VFD is always powered during normal operation and the fan is stopped by driving the speed to 0. Fig. 37 and Table 27 show the VFD terminals and connections.



C12225

**Fig. 37 - LC 04-06 Variable Frequency Drive (VFD) Terminals and Connections - unit shown front cover removed**

The VFD is factory-configured to match the current and power requirements for each motor selection and all wiring connections are completed by the factory; no field adjustments or connections are necessary. While the basic VFD retains all of its standard capabilities, this application uses only a limited portion of these features to provide discrete output speeds to the motor. Consequently the VFD is not equipped with a keypad. A keypad is available as an accessory (P/N: CRDISKIT001A00) for field installation or expanded service access to VFD parameter and troubleshooting tables. The VFD used has soft start capabilities to slowly ramp up the speeds, eliminating any high inrush of air volume during speed changes.

**Table 27 – LC 04-06 VFD Connections**

POINT DESCRIPTION	TYPE OF I/O	TERMINAL NUMBER	TERMINAL NAME
<b>LOW VOLTAGE INPUTS</b>			
Low Voltage Power (jumped to DI1 & DI4)	24vdc	10	24v
Low Voltage Common (jumped to DCOM)	Ground	11	GND
Discrete Inputs Common (jumped from GND)	Ground	12	DCOM
Discrete Input 1 (jumped from 24v)	Switch Input	13	DI1
Not Used	Switch Input	14	DI2
Not Used	Switch Input	15	DI3
Discrete Input 4 (jumped from 24v)	Switch Input	16	DI4
Shielded Cable Ground	Shield	28	SCR
LEN communication	LEN	29	B+
LEN communication	LEN	30	A-
LEN Communication	LEN	31	AGND
<b>HIGH VOLTAGE</b>			
Voltage Leg from C-11	Voltage Input	U1	MAINS
Voltage Leg from C-13	Voltage Input	V1	MAINS
Voltage Leg from IFTB	Voltage Input	W1	MAINS
Voltage Leg to IFM-3	Voltage Output	U2	MOTOR
Voltage Leg to IFM-2	Voltage Output	V2	MOTOR
Voltage Leg to IFM-1	Voltage Output	W2	MOTOR

## ⚠ CAUTION

### EQUIPMENT DAMAGE/PERFORMANCE HAZARD

Failure to follow this caution may result in damage to the unit or in degradation of unit performance.

Do not run the Carrier Assistant through the VFD keypad. This will cause parameters to change value that are not desired on these applications.

The VFDs communicate to the MBB over the local equipment network (LEN). The VFD speed is controlled directly by the SystemVu™ controller over the LEN. The VFD parameters required to allow the VFD to communicate on the LEN are shown in Table 28. Table 29 shows VFD parameters that are hard-coded by the SystemVu controller. The parameters listed in Table 30 have corresponding SystemVu configurations (**SETTINGS** → **UNIT CONFIGURATIONS** → **INDOOR FAN IFD** → **VFD PARAMETERS**). The factory sets these parameters per motor installed in the unit and these should not be adjusted in the field. These are only provided for drive or motor replacement. These parameters in Table 30 require the drive to be off or 0% to change them.

**IMPORTANT:** If the VFD appears to be communicating (the VFD software version can be read in **SERVICE** → **UNIT INFORMATION** → **VERSIONS**) but the loss of communications fault persists, place the keypad in the Off state. If communication is reestablished the VFD had to be in the Off state to save the configurations being sent. This can occur after a VFD is replaced.

## ⚠ WARNING

### EQUIPMENT DAMAGE HAZARD

Failure to follow this warning could result in equipment damage.

The VFD motor parameters shown in Table 32 should never be changed in the field unless authorized by Carrier Corporation. Damage could occur to the motor or unit if these are set to anything besides what is shown in the table. These are only provided for drive or motor replacement or future adjustments.

**Table 28 – LC 04-06 VFD Parameters Configured by Factory or VFD Keypad**

Parameter Group	Parameter Title	ABB Parameter	HVAC Default	CARRIER
Options	COMM PROT SEL	9802	NOT SEL	LEN (6)
EFB Protocol	EFB PROTOCOL ID	5301	0000 hex	0601 hex
	EFB STATION ID	5302	0	41
	EFB BAUD RATE	5303	9.6 kb/s	38.4 kb/s
	EFB PARITY	5304	8 NONE 1	8 NONE 1
	EFB CTRL PROFILE	5305	ABB DRV LIM	DCU PROFILE

**Table 29 – LC 04-06 VFD Parameters Hard Coded by SystemVu™ Controller**

Parameter Group	Parameter Title	ABB Parameter	HVAC Default	CARRIER
Start/Stop/Dir	EXT1 COMMANDS	1001	DI1	COMM (2)
Reference Select	REF1 SELECT	1103	AI1	COMM (2)
Constant Speeds	CONST SPEED 7	1208	60 Hz	0 Hz
System Controls	RUN ENABLE	1601	NOT SEL	NOT SEL (0)
	FAULT RESET SEL	1604	KEYPAD	COMM (7)
	START ENABLE 1	1608	DI4	DI4 (4)
Start/Stop	START FUNCTION	2101	SCALAR FLYSTART	AUTO (0)
	STOP FUNCTION	2102	COAST	COAST (1)
Fault Functions	COMM FAULT FUNC	3018	NOT SEL	CONST SP 7 (2)
	COMM FAULT TIME	3019	10.0 s	10.0 s
Start/Stop/Dir	DIRECTION	1003	FORWARD	REQUEST
Accel/Decel	ACCELER TIME 1	2202	30.0s	30.0s
	DECELER TIME 1	2203	30.0s	10.0s
Motor Control	SWITCHING FREQ	2606	4 kHz	4 kHz
Start-Up Data	MOTOR NOM VOLT	9905	230V, 460V, 575V	See Table 32
	MOTOR NOM CURR	9906	1.0*In	See Table 32
	MOTOR NOM FREQ	9907	60 Hz	60 Hz
	MOTOR NOM SPEED	9908	1750 rpm	See Table 32
	MOTOR NOM POWER	9909	1.0*Pn	See Table 32
Limits	MAXIMUM CURRENT	2003	1.3*I2n	See Table 32

**Table 30 – LC 04-06 VFD Parameters Configurable Through SystemVu Controller**

Parameter Group	Parameter Title	ABB Parameter	HVAC Default	CARRIER	CCN POINT	Display Menu Item
Accel/Decel	ACCELER TIME 1	2202	30.0s	30.0s	RAMPUP_T	VFD ACCEL TIME
	DECELER TIME 1	2203	30.0s	10.0s	RAMPDN_T	VFD DECEL TIME
Start-Up Data	MOTOR NOM VOLT	9905	230V,460V,575V	See Table 32	MOTVOLT	IDF VFD VOLTAGE
	MOTOR NOM CURR	9906	1.0*In	See Table 32	MOTCUR	IDF VFD NOM. AMPS
	MOTOR NOM FREQ	9907	60 Hz	60 Hz	MOTFREQ	IDF VFD NOM. FREQ
	MOTOR NOM SPEED	9908	1750 rpm	See Table 32	MOTNOMSP	IDF VFD NOM. RPM
	MOTOR NOM POWER	9909	1.0*Pn	See Table 32	MOTPWRHP	IDF VFD NOM. HP
Limits	MAXIMUM CURRENT	2003	1.3*I2n	See Table 32	CURRLMT	IDF VFD MAX AMPS

**Table 31 – LC 04-06 VFD Status Parameters Available Through System Vu Controller**

Parameter Group	Parameter Title	ABB Parameter	Units	SystemVu Point	SystemVu Display Item
Operating Data	Run Time	0114	h	RUNHOURS	IDF VFD RUN HOURS
	KWh Counter	0115	kWh	KWHCNTR	IDF VFD KW HOURS
	Power	0106	kW	OUTPWRKW	VFD OUTPUT KW
	Output Voltage	0109	V	OUTMVOLT	VFD OUTPUT VOLTS
	Output Frequency	0103	Hz	OUTMFREQ	VFD OUTPUT FREQ
	CURRENT	0104	A	OUTMCUR	VFD OUTPUT AMPS
	DC Bus Voltage	0107	V	DLCNVOLT	IDF VFD DC VOLTS
	Drive Temp	0110	°C	HTSINKT	IDF VFD HSNK TEMP

Table 32 – LC 04-06 VFD Motor Default Configurations

EQUIPMENT MODEL NUMBER (EQ_MOD)				Nominal Horse Power	Motor Voltage	Motor Current (Must-Hold Amps)	Motor Nominal Speed	VFD Max Amps
Position 1,2	Position 7,8	Position 10	Position 12	MOTPWHP	MOTVOLT	MOTCUR	MOTNOMSP	VFD1MAXA
48	04	2	5	1.7	230	5.8	1725	6.7
48	04	2	6	1.7	460	2.9	1725	3.3
48	04	2	1	1.7	575	3.1	1725	3.6
48	04	3	5	2.4	230	7.9	1725	9.1
48	04	3	6	2.4	460	2.9	1725	4.6
48	04	3	1	2.4	575	3.4	1725	3.9
48	05	2	5	1.7	230	5.8	1725	6.7
48	05	2	6	1.7	460	2.9	1725	3.3
48	05	2	1	1.7	575	3.1	1725	3.6
48	05	3	5	2.9	230	9.2	1725	10.6
48	05	3	6	2.9	460	4.6	1725	5.3
48	05	3	1	3.7	575	4.2	1725	4.8
48	06	2	5	2.4	230	7.9	1725	9.1
48	06	2	6	2.4	460	4	1725	4.6
48	06	2	1	2.4	575	3.4	1725	3.9
48	06	3	5	2.9	230	9.2	1725	10.6
48	06	3	6	2.9	460	4.6	1725	5.3
48	06	3	1	3.7	575	4.2	1725	4.8
50	04	2	5	1.7	230	5.8	1725	6.7
50	04	2	6	1.7	460	2.9	1725	3.3
50	04	2	1	1.7	575	3.1	1725	3.6
50	04	3	5	2.4	230	7.9	1725	9.1
50	04	3	6	2.4	460	2.9	1725	4.6
50	04	3	1	2.4	575	3.4	1725	3.9
50	05	2	5	1.7	230	5.8	1725	6.7
50	05	2	6	1.7	460	2.9	1725	3.3
50	05	2	1	1.7	575	3.1	1725	3.6
50	05	3	5	2.9	230	9.2	1725	10.6
50	05	3	6	2.9	460	4.6	1725	5.3
50	05	3	1	3.7	575	4.2	1725	4.8
50	06	2	5	2.4	230	7.9	1725	9.1
50	06	2	6	2.4	460	4	1725	4.6
50	06	2	1	2.4	575	3.4	1725	3.9
50	06	3	5	2.9	230	9.2	1725	10.6
50	06	3	6	2.9	460	4.6	1725	5.3
50	06	3	1	3.7	575	4.2	1725	4.8

For proper operation, there are three jumper wires that must remain installed and the VFD must be set to the auto mode. The 3 jumpers are shown on the unit schematic and are connected through a plug called PL25. These jumpers set the VFD to start enabled, run enabled, and tie the common bus together. The VFD has 2 LEDs on its front panel to indicate operating status. See below and VFD Troubleshooting section for details on VFD faults and alarms. The VFD faults can be reset with the VFD keypad or through the SystemVu™ controller (**ALERTS/FAULTS → RESET FAULT/ALERT = Yes**).

The Green LED on steady indicates power is on the VFD, flashing Green indicates an alarm condition detected. Alarms are advisory in nature. These indicate a problem has been detected by the VFD’s diagnostics but this problem will not require a shutdown.

The Red LED steady or flashing indicates a fault condition is detected. A fault is a significant internal situation for the VFD or Motor. Faults will typically shutdown the motor.

**LC 04-06 VFD Troubleshooting**

When communication is successful, the SystemVu™ control will provide alerts and faults that correlate to the VFD’s warnings and alarms. Table 33 shows the list of the SystemVu controller faults

and alerts and how they map to the VFD warnings and alarms. Table 33 also lists the possible causes of these cases.

**VFD Diagnostics (with Keypad)**

The drive detects error situations and reports them using:

1. Green and red LEDs on the body of the drive (located under the keypad)
2. Status LED on the control panel
3. Control panel display
4. The Fault Word and Alarm Word parameter bits (parameters 0305 to 0309)

The form of the display depends on the severity of the error. The user can specify the severity for many errors by directing the drive to ignore the error situation, report the situation as an alarm, or report the situation as a fault.

**Faults (Red LED Lit)**

The VFD signals that it has detected a severe error, or fault, by:

1. Enabling the red LED on the drive (LED is either steady or flashing)
2. Setting an appropriate bit in a Fault Word parameter (0305 to 0307)

3. Overriding the control panel display with the display of a fault code
4. Stopping the motor (if it was on)
5. Sets an appropriate bit in Fault Word parameter (0305 to 0307)

The fault code on the control panel display is temporary. Pressing the MENU, ENTER, UP or DOWN buttons removes the fault message. The message reappears after a few seconds if the control panel is not touched and the fault is still active.

#### Alarms (Green LED Flashing)

For less severe errors, called alarms, the diagnostic display is advisory. For these situations, the drive is simply reporting that it had detected something unusual. In these situations, the drive:

1. Flashes the green LED on the drive (does not apply to alarms that arise from control panel operation errors)
2. Sets an appropriate bit in an Alarm Word parameter (0308 or 0309)
3. Overrides the control panel display with the display of an alarm code and/or name

Alarm messages disappear from the control panel display after a few seconds. The message returns periodically as long as the alarm condition exists.

#### Correcting Faults

The recommended corrective action for faults is shown in the Fault Listing Table 33. The VFD can also be reset to remove the fault. If an external source for a start command is selected and is active, the VFD may start immediately after fault reset.

To reset a fault indicated by a flashing red LED, turn off the power for 5 minutes. To reset a fault indicated by a red LED (not flashing), press RESET from the control panel or turn off the power for 5 minutes. Depending on the value of parameter 1604 (FAULT RESET SELECT), digital input or serial communication could also be used to reset the drive. When the fault has been corrected, the motor can be started.

#### History

For reference, the last three fault codes are stored into parameters 0401, 0412, 0413. For the most recent fault (identified by parameter 0401), the drive stores additional data (in parameters 0402 through 0411) to aid in troubleshooting a problem. For example, a parameter 0404 stores the motor speed at the time of the fault. To clear the fault history (all of Group 04, Fault History parameters), follow these steps:

1. In the control panel, Parameters mode, select parameter 0401.
2. Press EDIT.
3. Press the UP and DOWN buttons simultaneously.
4. Press SAVE.

If diagnostics troubleshooting has determined that the drive is defective during the warranty period, contact ABB Automation Inc., at 1-800-435-7365, option 4, option 3. A qualified technician will review the problem with the caller and make a determination regarding how to proceed. This may involve dispatching a designated service station (DSS) representative from an authorized station, dispatching a replacement unit, or advising return for repair.

**Table 33 – LC 04-06 VFD Fault Codes**

SystemVu Fault	SystemVu Alert	ABB Alarm Code	Alarm Description	Cause of Problem and Corrective Action
F613 – IDF VFD OVER CURRENT	A607 – IDF VFD CURRENT LIMIT	1	Over Current	Output current is excessive. Check for excessive motor load, insufficient acceleration time (parameters 2202 ACCELER TIME 1, default 30 seconds), or faulty motor, motor cables or connections.
F617 – IDF VFD OVER VOLTAGE	A606 – IDF VFD VOLTAGE WARNING	2	DC Over Voltage	Intermediate circuit DC voltage is excessive. Check for static or transient over voltages in the input power supply, insufficient deceleration time (parameters 2203 DECELER TIME 1, default 30 seconds), or undersized brake chopper (if present).
F601 – IDF VFD UNEXPECTED	A605 – IDF VFD THERMAL WARNING	3	Device Over Temp	Drive heat sink is overheated. Temperature is at or above 115° C (239° F). Check for fan failure, obstructions in the air flow, dirt or dust coating on the heat sink, excessive ambient temperature, or excessive motor load.
F618 – IDF VFD SHORT CIRCUIT	–	4	Short Circuit	Fault current. Check for short – circuit in the motor cable(s) or motor or supply disturbances.
F616 – IDF VFD UNDER VOLTAGE	A606 – IDF VFD VOLTAGE WARNING	6	DC Under Volt	Intermediate circuit DC voltage is not sufficient. Check for missing phase in the input power supply, blown fuse, or under voltage on main circuit.
F614 – IDF VFD MOTOR OVER TEMP	A605 – IDF VFD THERMAL WARNING	9	Motor Over Temp	Motor is too hot, as estimated by the drive. Check for overloaded motor. Adjust the parameters used for the estimate (3005 through 3009). Check the temperature sensors and Group 35 parameters.
F611 – IDF VFD EARTH FAULT	A608 – IDF VFD WARNING	16	Earth Fault	The load on the input power system is out of balance. Check for faults in the motor or motor cable. Verify that motor cable does not exceed maximum specified length.
F619 – IDF VFD MAIN PHASE LOSS	A608 – IDF VFD WARNING	22	Supply Phase	Ripple voltage in the DC link is too high. Check for missing main phase or blown fuse.



**LC 07-26 Variable Frequency Drive (Danfoss VFD)**

The indoor fan motor is controlled by a VFD. The supply fan VFD is located in the supply fan section behind the access door. The VFD varies the frequency of the AC voltage supplied to the indoor fan. This allows the variation in the speed of the fan. The VFD is always powered during normal operation and the fan is stopped by driving the speed to 0. Fig. 38 and Table 34 show the VFD terminals and connections.



**Fig. 38 - Variable Frequency Drive (VFD) Terminals and Connections - unit shown with front cover removed**

The VFD is factory-configured to match the current and power requirements for each motor selection and all wiring connections are completed by the factory; no field adjustments are necessary. The VFD used has soft start capabilities to slowly ramp up the speeds, eliminating any high inrush of air volume during speed changes. While the basic VFD retains all of its standard capabilities, the LC unit uses only a limited portion of these features to provide discrete output speeds to the motor. The VFD is not equipped with a keypad. A keypad is available as an accessory (P/N: CRDISKIT002A00) for field installation or expanded service access to VFD parameter and troubleshooting tables.

**Table 34 – VFD Connections**

POINT DESCRIPTION	TYPE OF I/O	TERMINAL NUMBER	TERMINAL NAME
<b>LOW VOLTAGE INPUTS</b>			
Low Voltage Power (jumped to 18 & 27)	24vdc	12	+24v
Discrete Inputs Common	Ground	20	GND
Analog Inputs Common	Ground	55	GND
Terminal 18 Discrete Input (jumped from 24v)	Switch Input	18	DIG IN
Not Used	Switch Input	19	DIG IN
Terminal 27 Discrete Input (jumped from 24v)	Switch Input	27	DIG IN
Not Used	Switch Input	29	DIG IN
LEN communication +	LEN+	68	P
LEN communication -	LEN-	69	N
LEN Communication Common	LEN C	61	COMM. GND
<b>HIGH VOLTAGE</b>			
Voltage Leg from C- 11	Voltage Input	L1	MAINS
Voltage Leg from C- 13	Voltage Input	L2	MAINS
Voltage Leg from IFTB	Voltage Input	L3	MAINS
Voltage Leg to IFM-3	Voltage Output	U	MOTOR
Voltage Leg to IFM-2	Voltage Output	V	MOTOR
Voltage Leg to IFM-1	Voltage Output	W	MOTOR

The VFD communicate to the MBB over the local equipment network (LEN). The VFD speed is controlled directly by the controller over the LEN. The VFD parameters required for the VFD to communicate on the LEN are shown in Table 35. Table 36 shows VFD parameters that are hard-coded by the SystemVu™ controller. The parameters listed in Table 37 have corresponding SystemVu controller configurations (*SETTINGS* → *UNIT CONFIGURATIONS* → *INDOOR FAN* → *IFD VFD PARAMETERS*). The factory sets these parameters per the motor installed in the unit and these should not be adjusted in the field. These are only provided for drive or motor replacement. These parameters in Table 37 require the drive to be off or 0% to change them.

**⚠ WARNING**

**EQUIPMENT DAMAGE HAZARD**

Failure to follow this warning could result in equipment damage.

The VFD motor parameters shown in Table 39 should never be changed in the field unless authorized by Carrier Corporation. Damage could occur to the motor or unit if these are set to anything besides what is shown in the table. These are only provided for drive or motor replacement or future adjustments.

**Table 35 – LC 07-26 VFD Parameters Configured by Factory or VFD Keypad**

Parameter Group	Parameter Title	Danfoss Parameter	VFD Default	CARRIER
Reset Functions	Service Code	14–29	6333	6222
FC Port Settings	PROTOCOL	8–30	(0) FC	(20) LEN
	ADDRESS	8–31	1	180
	BAUD RATE	8–32	(2) 9.6 kb/s	(4) 38.4 kb/s
	Parity/Stop Bits	8–33	(0) 8 EVEN 1	(2) 8 NONE 1

**Table 36 – LC 07-26 VFD Parameters Hard Coded by SystemVu™ Controller**

Parameter Group	Parameter Title	Danfoss Parameter	VFD Default	CARRIER
Basic Settings	Regional Settings	0–03	International (0)	North America (1)
General Settings	Configuration Mode	1–00	Open Loop (0)	Open Loop (0)
	Torque Characteristics	1–03	Variable Torque (1)	Variable Torque (1)
	Clockwise Direction	1–06	Normal (0)	Normal (0)
Motor Selection	Motor Construction	1–10	Asynchron (0)	Asynchron (0)
Start Adjustments	Start Delay	1–71	0s	0s
	Start Function	1–72	Coast/delay time (2)	Coast/delay time (2)
	Flying Start	1–73	Disabled (0)	Disabled (0)
Motor Temperature	Motor Thermal Protection	1–90	No Protection (0)	ETR trip 1 (4)
Brake Energy Funct.	Over-voltage Control	2–17	Enabled (2)	Enabled (2)
References	Preset Reference	3–10	%00005	%00005
	Reference 3 Source	3–17	Local bus reference (11)	Local bus reference (11)
Motor Limits	Motor Speed Direction	4–10	Both directions (2)	Both directions (2)
	Motor Speed Low Limit [Hz]	4–12	0hz	0hz
	Motor Speed High Limit [Hz]	4–14	65hz	65hz
Digital Inputs	Terminal 18 Digital Input	5–10	8	Start (8)
	Terminal 27 Digital Input	5–12	Coast Inverse (2)	No Operation (0)
Relays	Function Relay (Relay 1)	5–40	No Function (0)	Bus Control (45)
	Function Relay (Relay 2)	5–40	No Function (0)	Bus Control (45)
Analog/Digital Output	Terminal 45 Mode	6–70	0–20 mA (0)	4–20 mA (1)
	Terminal 45 Analog Output	6–71	No Operation (0)	Bus Control (139)
	Terminal 45 Output Min Scale	6–73	%00005	%00005
Analog/Digital Output	Terminal 42 Mode	6–90	0–20 mA (0)	0–20 mA (0)
	Terminal 42 Analog Output	6–91	No Operation (0)	Bus Control (139)
	Terminal 42 Output Min Scale	6–93	%00005	%00005
General Settings	Control Site	8–01	Digital and ctrl.word (0)	Digital and ctrl.word (0)
	Control Source	8–02	FC Port (1)	FC Port (1)
	Control Timeout Function	8–04	Off (0)	Stop and trip (5)
Digital/Bus	Start Select	8–53	Logic OR (3)	Logic AND (2)
SLC Settings	SL Controller Mode	13–00	Off (0)	Off (0)
Inverter Switching	Switching Frequency	14–01	5.0khz (5)	5.0khz (5)
Mains On/Off	Function at Mains Imbalance	14–12	Trip (0)	Trip (0)
Reset Functions	Reset Mode	14–20	Manual Reset (0)	Automatic reset x 3 (3)

**Table 37 – LC 07-26 VFD Parameters Configurable Through SystemVu Controller**

Parameter Group	Parameter Title	Danfoss Parameter	HVAC Default	CARRIER	CCN Point	Display Menu Item
Motor Data	Motor Power	1–20	drive dep.	See Table 39 or 40	MOTPHP	IDF VFD NOM HP
	Motor Voltage	1–22	drive dep.	See Table 39 or 40	MOTVOLT	IDF VFD VOLTAGE
	Motor Frequency	1–23	50hz	60hz	MOTFREQ	IDF VFD NOM. FREQ
	Motor Current	1–24	drive dep.	See Table 39 or 40	MOTCUR	IDF VFD NOM. AMPS
	Motor Nominal Speed	1–25	drive dep.	See Table 39 or 40	MOTNOMSP	IDF VFD NOM. RPM
Reference Limits	Minimum Reference	3–02	0hz	0hz	MINREF	IDF VFD MIN REF
	Maximum Reference	3–03	50hz	60hz	MAXREF	IDF VFD MAX REF
Ramp 1	Ramp 1 Ramp Up Time	3–41	3s	10s	RAMPUP_T	VFD ACCEL. TIME
	Ramp 1 Ramp Down Time	3–42	3s	30s	RAMPDN_T	VFD DECEL. TIME
Motor Limits	Current Limit	4–18	110%	100%	CURRLMT	IDF VFD AMP LIMIT
General Settings	Control Timeout Time	8–03	1s	30s	CNT_TOUT	IDF VFD TIMEOUT
Reset Functions	Automatic Restart Time	14–21	10s	30s	ARSTR_T	IDF VFD RESET DUR
Environment	RFI Filter	14–50	On (1)	On (1)	RFIFILTR	VFD RFI FILTER

**Table 38 – LC 07-26 VFD Status Parameters Available Through SystemVu™ Controller**

Parameter Group	Parameter Title	Danfoss Parameter	Units	SystemVu Point	SystemVu Display Item
Operating Data	Running Hours	15-01	h	RUNHOURS	IDF VFD RUN HOURS
	kWh Counter	15-02	kWh	KWHCNTR	IDF VFD KW HOURS
General Status	Reference [%]	16-02	%	REFSPEED	VFD REF SPEED
	Status Word	16-03		STATUSWD	VFD STATUS WORD
	Main Actual Value [%]	16-05	%	MAV	IDF VFD FEEDBACK
Motor Status	Power [kW]	16-10	kW	OUTPWRKW	VFD OUTPUT KW
	Power [hp]	16-11	hp	OUTPWRHP	VFD OUTPUT HP
	Motor Voltage	16-12	V	OUTMVOLT	VFD OUTPUT VOLTS
	Frequency	16-13	Hz	OUTMFREQ	VFD OUTPUT FREQ
	Motor current	16-14	A	OUTMCUR	VFD OUTPUT AMPS
Drive Status	DC Link Voltage	16-30	V	DCLNVOLT	IDF VFD DC VOLTS
	Heatsink Temp.	16-34	°C	HTSINKT	IDF VFD HSNK TEMP
Diagnostic Readouts	Alarm Word	16-90		ALMERRC	IDF VFD ALM WORD

**NOTE:** Table 38 lists the status information the VFD sends to the SystemVu controls. This table is updated at every scan the controls perform of the LEN. This occurs approximately once every second.

**Table 39 – LC 07-26 VFD Motor Default Configurations - Vertical Airflow Units**

EQUIPMENT MODEL NUMBER (EQ_MOD)				Nominal Horse Power	Motor Voltage	Motor Current (Must-Hold Amps)	Motor Nominal Speed	VFD Max Amps
Position 1,2	Position 7,8	Position 10	Position 12	MOTPWRHP	MOTVOLT	MOTCUR	MOTNOMSP	VFD1MAXA
48	07	1	5	1.7	230	5.8	1695	5.8
48	07	1	6	1.7	460	2.9	1690	2.9
48	07	1	1	1.7	575	3.1	1690	3.1
48	07	2	5	1.7	230	5.8	1695	5.8
48	07	2	6	1.7	460	2.9	1690	2.9
48	07	2	1	1.7	575	3.1	1690	3.1
48	07	3	5	2.9	230	9.2	1735	9.2
48	07	3	6	2.9	460	4.2	1735	4.2
48	07	3	1	2.9	575	4.9	1710	4.9
48	08	1	5	1.7	230	5.8	1695	5.8
48	08	1	6	1.7	460	2.9	1690	2.9
48	08	1	1	1.7	575	3.1	1690	3.1
48	08	2	5	2.4	230	7.9	1680	7.9
48	08	2	6	2.4	460	3.6	1680	3.6
48	08	2	1	2.4	575	3.8	1680	3.8
48	08	3	5	3.7	230	11.7	1750	11.7
48	08	3	6	3.7	460	5.4	1750	5.4
48	08	3	1	3.7	575	4.9	1710	4.9
48	08	4	5	5.0	230	13.6	1745	13.6
48	08	4	6	5.0	460	6.8	1745	6.8
48	08	4	1	5.0	575	6	1745	6.0
48	09	1	5	1.7	230	5.8	1695	5.8
48	09	1	6	1.7	460	2.9	1690	2.9
48	09	1	1	1.7	575	3.1	1690	3.1
48	09	2	5	2.4	230	7.9	1680	7.9
48	09	2	6	2.4	460	3.6	1680	3.6
48	09	2	1	2.4	575	3.8	1680	3.8
48	09	3	5	3.7	230	11.7	1750	11.7
48	09	3	6	3.7	460	5.4	1750	5.4
48	09	3	1	3.7	575	4.9	1710	4.9
48	09	4	5	5.0	230	13.6	1745	13.6
48	09	4	6	5.0	460	6.8	1745	6.8
48	09	4	1	5.0	575	6	1745	6.0
48	12	1	5	2.4	230	7.9	1680	7.9
48	12	1	6	2.4	460	3.6	1680	3.6
48	12	1	1	2.4	575	3.8	1680	3.8
48	12	2	5	3.7	230	11.7	1750	11.7
48	12	2	6	3.7	460	5.4	1750	5.4
48	12	2	1	3.7	575	4.9	1710	4.9
48	12	3	5	5.0	230	13.6	1745	13.6
48	12	3	6	5.0	460	6.8	1745	6.8
48	12	3	1	5.0	575	6	1745	6.0

Table 39 - LC 07-26 VFD Motor Default Configurations - Vertical Airflow Units (cont)

EQUIPMENT MODEL NUMBER (EQ_MOD)				Nominal Horse Power	Motor Voltage	Motor Current (Must-Hold Amps)	Motor Nominal Speed	VFD Max Amps
Position 1,2	Position 7,8	Position 10	Position 12	MOTPWHP	MOTVOLT	MOTCUR	MOTNOMSP	VFD1MAXA
48	14	1	5	2.9	230	9.2	1735	9.2
48	14	1	6	2.9	460	4.2	1735	4.2
48	14	1	1	2.9	575	4.9	1710	4.9
48	14	2	5	5.0	230	13.6	1745	13.6
48	14	2	6	5.0	460	6.8	1745	6.8
48	14	2	1	5.0	575	6	1745	6.0
48	14	3	5	7.5	230	21.2	1760	21.2
48	14	3	6	7.5	460	9.7	1760	9.7
48	14	3	1	7.5	575	7.2	1745	7.2
48	14	4	5	10.0	230	28	1760	28.0
48	14	4	6	10.0	460	13.7	1760	13.7
48	14	4	1	10.0	575	8.9	1750	8.9
48	17	1	5	2.9	230	9.2	1735	9.2
48	17	1	6	2.9	460	4.2	1735	4.2
48	17	1	1	2.9	575	4.9	1710	4.9
48	17	2	5	7.5	230	21.2	1760	21.2
48	17	2	6	7.5	460	9.7	1760	9.7
48	17	2	1	7.5	575	7.2	1745	7.2
48	17	3	5	10.0	230	28	1760	28.0
48	17	3	6	10.0	460	13.7	1760	13.7
48	17	3	1	10.0	575	8.9	1750	8.9
48	17	4	5	15.0	230	37.3	1755	37.3
48	17	4	6	15.0	460	16.9	1755	16.9
48	17	4	1	15.0	575	12.6	1755	12.6
48	20	1	5	2.9	230	11.7	1750	11.7
48	20	1	6	2.9	460	5.4	1750	5.4
48	20	1	1	2.9	575	4.9	1710	4.9
48	20	2	5	7.5	230	21.2	1760	21.2
48	20	2	6	7.5	460	9.7	1760	9.7
48	20	2	1	7.5	575	7.2	1745	7.2
48	20	3	5	10.0	230	28	1760	28.0
48	20	3	6	10.0	460	13.7	1760	13.7
48	20	3	1	10.0	575	8.9	1750	8.9
48	20	4	5	15.0	230	37.3	1755	37.3
48	20	4	6	15.0	460	16.9	1755	16.9
48	20	4	1	15.0	575	12.6	1755	12.6
48	24	1	5	7.5	230	21.2	1760	21.2
48	24	1	6	7.5	460	9.7	1760	9.7
48	24	1	1	7.5	575	7.2	1745	7.2
48	24	2	5	10.0	230	28	1760	28.0
48	24	2	6	10.0	460	13.7	1760	13.7
48	24	2	1	10.0	575	8.9	1750	8.9
48	24	3	5	15.0	230	37.3	1755	37.3
48	24	3	6	15.0	460	16.9	1755	16.9
48	24	3	1	15.0	575	12.6	1755	12.6
48	26	1	5	7.5	230	21.2	1760	21.2
48	26	1	6	7.5	460	9.7	1760	9.7
48	26	1	1	7.5	575	7.2	1745	7.2
48	26	2	5	10.0	230	28	1760	28.0
48	26	2	6	10.0	460	13.7	1760	13.7
48	26	2	1	10.0	575	8.9	1750	8.9
48	26	3	5	15.0	230	37.3	1755	37.3
48	26	3	6	15.0	460	16.9	1755	16.9
48	26	3	1	15.0	575	12.6	1755	12.6

Table 39 - LC 07-26 VFD Motor Default Configurations - Vertical Airflow Units (cont)

EQUIPMENT MODEL NUMBER (EQ_MOD)				Nominal Horse Power	Motor Voltage	Motor Current (Must-Hold Amps)	Motor Nominal Speed	VFD Max Amps
Position 1,2	Position 7,8	Position 10	Position 12	MOTPWHP	MOTVOLT	MOTCUR	MOTNOMSP	VFD1MAXA
50	07	1	5	1.7	230	5.8	1695	5.8
50	07	1	6	1.7	460	2.9	1690	2.9
50	07	1	1	1.7	575	3.1	1690	3.1
50	07	2	5	1.7	230	5.8	1695	5.8
50	07	2	6	1.7	460	2.9	1690	2.9
50	07	2	1	1.7	575	3.1	1690	3.1
50	07	3	5	2.9	230	9.2	1735	9.2
50	07	3	6	2.9	460	4.2	1735	4.2
50	07	3	1	2.9	575	4.9	1710	4.9
50	08	1	5	1.7	230	5.8	1695	5.8
50	08	1	6	1.7	460	2.9	1690	2.9
50	08	1	1	1.7	575	3.1	1690	3.1
50	08	2	5	1.7	230	5.8	1695	5.8
50	08	2	6	1.7	460	2.9	1690	2.9
50	08	2	1	1.7	575	3.1	1690	3.1
50	08	3	5	2.9	230	9.2	1735	9.2
50	08	3	6	2.9	460	4.2	1735	4.2
50	08	3	1	2.9	575	4.9	1710	4.9
50	08	4	5	3.7	230	13.6	1745	13.6
50	08	4	6	3.7	460	6.8	1745	6.8
50	08	4	1	3.7	575	6	1745	6.0
50	09	1	5	1.7	230	5.8	1695	5.8
50	09	1	6	1.7	460	2.9	1690	2.9
50	09	1	1	1.7	575	3.1	1690	3.1
50	09	2	5	1.7	230	5.8	1695	5.8
50	09	2	6	1.7	460	2.9	1690	2.9
50	09	2	1	1.7	575	3.1	1690	3.1
50	09	3	5	3.7	230	11.7	1750	11.7
50	09	3	6	3.7	460	5.4	1750	5.4
50	09	3	1	3.7	575	4.9	1710	4.9
50	09	4	5	5.0	230	13.6	1745	13.6
50	09	4	6	5.0	460	6.8	1745	6.8
50	09	4	1	5.0	575	6	1745	6.0
50	12	1	5	2.4	230	7.9	1680	7.9
50	12	1	6	2.4	460	3.6	1680	3.6
50	12	1	1	2.4	575	3.8	1680	3.8
50	12	2	5	2.9	230	9.2	1735	9.2
50	12	2	6	2.9	460	4.2	1735	4.2
50	12	2	1	2.9	575	4.9	1710	4.9
50	12	3	5	5.0	230	13.6	1745	13.6
50	12	3	6	5.0	460	6.8	1745	6.8
50	12	3	1	5.0	575	6	1745	6.0
50	14	1	5	2.9	230	9.2	1735	9.2
50	14	1	6	2.9	460	4.2	1735	4.2
50	14	1	1	2.9	575	4.9	1710	4.9
50	14	2	5	5.0	230	13.6	1745	13.6
50	14	2	6	5.0	460	6.8	1745	6.8
50	14	2	1	5.0	575	6	1745	6.0
50	14	3	5	7.5	230	21.2	1760	21.2
50	14	3	6	7.5	460	9.7	1760	9.7
50	14	3	1	7.5	575	7.2	1745	7.2
50	14	4	5	10.0	230	28	1760	28.0
50	14	4	6	10.0	460	13.7	1760	13.7
50	14	4	1	10.0	575	8.9	1750	8.9

Table 39 - LC 07-26 VFD Motor Default Configurations - Vertical Airflow Units (cont)

EQUIPMENT MODEL NUMBER (EQ_MOD)				Nominal Horse Power	Motor Voltage	Motor Current (Must-Hold Amps)	Motor Nominal Speed	VFD Max Amps
Position 1,2	Position 7,8	Position 10	Position 12	MOTPWHP	MOTVOLT	MOTCUR	MOTNOMSP	VFD1MAXA
50	17	1	5	2.9	230	9.2	1735	9.2
50	17	1	6	2.9	460	4.2	1735	4.2
50	17	1	1	2.9	575	4.9	1710	4.9
50	17	2	5	7.5	230	21.2	1760	21.2
50	17	2	6	7.5	460	9.7	1760	9.7
50	17	2	1	7.5	575	7.2	1745	7.2
50	17	3	5	10.0	230	28	1760	28.0
50	17	3	6	10.0	460	13.7	1760	13.7
50	17	3	1	10.0	575	8.9	1750	8.9
50	17	4	5	15.0	230	37.3	1755	37.3
50	17	4	6	15.0	460	16.9	1755	16.9
50	17	4	1	15.0	575	12.6	1755	12.6
50	20	1	5	2.9	230	11.7	1750	11.7
50	20	1	6	2.9	460	5.4	1750	5.4
50	20	1	1	2.9	575	4.9	1710	4.9
50	20	2	5	7.5	230	21.2	1760	21.2
50	20	2	6	7.5	460	9.7	1760	9.7
50	20	2	1	7.5	575	7.2	1745	7.2
50	20	3	5	10.0	230	28	1760	28.0
50	20	3	6	10.0	460	13.7	1760	13.7
50	20	3	1	10.0	575	8.9	1750	8.9
50	20	4	5	15.0	230	37.3	1755	37.3
50	20	4	6	15.0	460	16.9	1755	16.9
50	20	4	1	15.0	575	12.6	1755	12.6
50	24	1	5	7.5	230	21.2	1760	21.2
50	24	1	6	7.5	460	9.7	1760	9.7
50	24	1	1	7.5	575	7.2	1745	7.2
50	24	2	5	7.5	230	21.2	1760	21.2
50	24	2	6	7.5	460	9.7	1760	9.7
50	24	2	1	7.5	575	7.2	1745	7.2
50	24	3	5	10.0	230	28	1760	28.0
50	24	3	6	10.0	460	13.7	1760	13.7
50	24	3	1	10.0	575	8.9	1750	8.9
50	24	4	5	15.0	230	37.3	1755	37.3
50	24	4	6	15.0	460	16.9	1755	16.9
50	24	4	1	15.0	575	12.6	1755	12.6
50	26	1	5	7.5	230	21.2	1760	21.2
50	26	1	6	7.5	460	9.7	1760	9.7
50	26	1	1	7.5	575	7.2	1745	7.2
50	26	2	5	10.0	230	28	1760	28.0
50	26	2	6	10.0	460	13.7	1760	13.7
50	26	2	1	10.0	575	8.9	1750	8.9
50	26	3	5	15.0	230	37.3	1755	37.3
50	26	3	6	15.0	460	16.9	1755	16.9
50	26	3	1	15.0	575	12.6	1755	12.6

**Table 40 – LC 07-26 VFD Motor Default Configurations - Horizontal Airflow Units**

EQUIPMENT MODEL NUMBER (EQ_MOD)				Nominal Horse Power	Motor Voltage	Motor Current (Must-Hold Amps)	Motor Nominal Speed	VFD Max Amps
Position 1,2	Position 7,8	Position 10	Position 12	MOTPWHP	MOTVOLT	MOTCUR	MOTNOMSP	VFD1MAXA
48	14	5	5	2.9	230	9.2	1735	9.2
48	14	5	6	2.9	460	4.2	1735	4.2
48	14	5	1	2.9	575	4.9	1710	4.9
48	14	6	5	5.0	230	13.6	1745	13.6
48	14	6	6	5.0	460	6.8	1745	6.8
48	14	6	1	5.0	575	6	1745	6.0
48	14	7	5	7.5	230	21.2	1760	21.2
48	14	7	6	7.5	460	9.7	1760	9.7
48	14	7	1	7.5	575	7.2	1745	7.2
48	14	8	5	10.0	230	28	1760	28.0
48	14	8	6	10.0	460	13.7	1760	13.7
48	14	8	1	10.0	575	8.9	1750	8.9
48	17	5	5	2.9	230	9.2	1735	9.2
48	17	5	6	2.9	460	4.2	1735	4.2
48	17	5	1	2.9	575	4.9	1710	4.9
48	17	6	5	7.5	230	21.2	1760	21.2
48	17	6	6	7.5	460	9.7	1760	9.7
48	17	6	1	7.5	575	7.2	1745	7.2
48	17	7	5	10.0	230	28	1760	28.0
48	17	7	6	10.0	460	13.7	1760	13.7
48	17	7	1	10.0	575	8.9	1750	8.9
48	17	8	5	15.0	230	37.3	1755	37.3
48	17	8	6	15.0	460	16.9	1755	16.9
48	17	8	1	15.0	575	12.6	1755	12.6
48	20	5	5	2.9	230	11.7	1750	11.7
48	20	5	6	2.9	460	5.4	1750	5.4
48	20	5	1	2.9	575	4.9	1710	4.9
48	20	6	5	7.5	230	21.2	1760	21.2
48	20	6	6	7.5	460	9.7	1760	9.7
48	20	6	1	7.5	575	7.2	1745	7.2
48	20	7	5	10.0	230	28	1760	28.0
48	20	7	6	10.0	460	13.7	1760	13.7
48	20	7	1	10.0	575	8.9	1750	8.9
48	20	8	5	15.0	230	37.3	1755	37.3
48	20	8	6	15.0	460	16.9	1755	16.9
48	20	8	1	15.0	575	12.6	1755	12.6
48	24	5	5	7.5	230	21.2	1760	21.2
48	24	5	6	7.5	460	9.7	1760	9.7
48	24	5	1	7.5	575	7.2	1745	7.2
48	24	6	5	10.0	230	28	1760	28.0
48	24	6	6	10.0	460	13.7	1760	13.7
48	24	6	1	10.0	575	8.9	1750	8.9
48	24	7	5	15.0	230	37.3	1755	37.3
48	24	7	6	15.0	460	16.9	1755	16.9
48	24	7	1	15.0	575	12.6	1755	12.6
48	26	5	5	7.5	230	21.2	1760	21.2
48	26	5	6	7.5	460	9.7	1760	9.7
48	26	5	1	7.5	575	7.2	1745	7.2
48	26	6	5	10.0	230	28	1760	28.0
48	26	6	6	10.0	460	13.7	1760	13.7
48	26	6	1	10.0	575	8.9	1750	8.9
48	26	7	5	15.0	230	37.3	1755	37.3
48	26	7	6	15.0	460	16.9	1755	16.9
48	26	7	1	15.0	575	12.6	1755	12.6

Table 40 - LC 07-26 VFD Motor Default Configurations - Horizontal Airflow Units (cont)

EQUIPMENT MODEL NUMBER (EQ_MOD)				Nominal Horse Power	Motor Voltage	Motor Current (Must-Hold Amps)	Motor Nominal Speed	VFD Max Amps
Position 1,2	Position 7,8	Position 10	Position 12	MOTPWHP	MOTVOLT	MOTCUR	MOTNOMSP	VFD1MAXA
50	14	5	5	2.9	230	9.2	1735	9.2
50	14	5	6	2.9	460	4.2	1735	4.2
50	14	5	1	2.9	575	4.9	1710	4.9
50	14	6	5	5.0	230	13.6	1745	13.6
50	14	6	6	5.0	460	6.8	1745	6.8
50	14	6	1	5.0	575	6	1745	6.0
50	14	7	5	7.5	230	21.2	1760	21.2
50	14	7	6	7.5	460	9.7	1760	9.7
50	14	7	1	7.5	575	7.2	1745	7.2
50	14	8	5	10.0	230	28	1760	28.0
50	14	8	6	10.0	460	13.7	1760	13.7
50	14	8	1	10.0	575	8.9	1750	8.9
50	17	5	5	2.9	230	9.2	1735	9.2
50	17	5	6	2.9	460	4.2	1735	4.2
50	17	5	1	2.9	575	4.9	1710	4.9
50	17	6	5	7.5	230	21.2	1760	21.2
50	17	6	6	7.5	460	9.7	1760	9.7
50	17	6	1	7.5	575	7.2	1745	7.2
50	17	7	5	10.0	230	28	1760	28.0
50	17	7	6	10.0	460	13.7	1760	13.7
50	17	7	1	10.0	575	8.9	1750	8.9
50	17	8	5	15.0	230	37.3	1755	37.3
50	17	8	6	15.0	460	16.9	1755	16.9
50	17	8	1	15.0	575	12.6	1755	12.6
50	20	5	5	2.9	230	11.7	1750	11.7
50	20	5	6	2.9	460	5.4	1750	5.4
50	20	5	1	2.9	575	4.9	1710	4.9
50	20	6	5	7.5	230	21.2	1760	21.2
50	20	6	6	7.5	460	9.7	1760	9.7
50	20	6	1	7.5	575	7.2	1745	7.2
50	20	7	5	10.0	230	28	1760	28.0
50	20	7	6	10.0	460	13.7	1760	13.7
50	20	7	1	10.0	575	8.9	1750	8.9
50	20	8	5	15.0	230	37.3	1755	37.3
50	20	8	6	15.0	460	16.9	1755	16.9
50	20	8	1	15.0	575	12.6	1755	12.6
50	24	5	5	7.5	230	21.2	1760	21.2
50	24	5	6	7.5	460	9.7	1760	9.7
50	24	5	1	7.5	575	7.2	1745	7.2
50	24	6	5	7.5	230	21.2	1760	21.2
50	24	6	6	7.5	460	9.7	1760	9.7
50	24	6	1	7.5	575	7.2	1745	7.2
50	24	7	5	10.0	230	28	1760	28.0
50	24	7	6	10.0	460	13.7	1760	13.7
50	24	7	1	10.0	575	8.9	1750	8.9
50	24	8	5	15.0	230	37.3	1755	37.3
50	24	8	6	15.0	460	16.9	1755	16.9
50	24	8	1	15.0	575	12.6	1755	12.6
50	26	5	5	7.5	230	21.2	1760	21.2
50	26	5	6	7.5	460	9.7	1760	9.7
50	26	5	1	7.5	575	7.2	1745	7.2
50	26	6	5	10.0	230	28	1760	28.0
50	26	6	6	10.0	460	13.7	1760	13.7
50	26	6	1	10.0	575	8.9	1750	8.9
50	26	7	5	15.0	230	37.3	1755	37.3
50	26	7	6	15.0	460	16.9	1755	16.9
50	26	7	1	15.0	575	12.6	1755	12.6



For proper operation, there are three jumper wires that must remain installed and the VFD must be set to the auto mode. The 3 jumpers are shown on the unit schematic and are connected through a plug called PL25. These jumpers set the VFD to start enabled, run enabled, and tie the common bus together. The VFD has 4 LEDs on its front panel to indicate operating status. See below and VFD Troubleshooting section for details on VFD faults and alarms. The VFD faults can be reset with the VFD keypad or through the SystemVu™ controls (**ALERTS/FAULT**→**RESET FAULT/ALERT** =Yes).

The Green On LED will indicate the VFD is powered on. The Green Com. LED will flash as communication is occurring on the bus. The Yellow Warning LED will indicate when a warning is present. The Red Alarm LED will indicate when a alarm condition is present.

Refer to the VFD manufacture literature for details on using the VFD Keypad for troubleshooting.

### **LC 07-26 VFD Troubleshooting**

When communication is successful, the SystemVu control will provide alerts and faults that correlate to the VFD's warnings and alarms. Table 41 shows the list of the SystemVu controller faults and alerts and how they map to the VFD warnings and alarms. Table 41 also lists the possible causes of these cases.

A VFD lockout alarm will require a power cycle to the VFD to reset. VFD warnings may reduce the actual motor speed without the SystemVu control correcting the speed. This is an acceptable action to protect the motor, and usually means there are improper configurations or motor installed.

**Table 41 – LC -7-26 VFD Fault Codes**

SystemVu Fault	SystemVu Alert	VFD Number	VFD Description	VFD Warning	VFD Alarm	Trip Lock	Cause of Problem
-	A607-IDF VFD CURRENT LIMIT	59	Current limit	X			The current is higher than the value in par. 4-18 Current Limit.
-	A608-IDF VFD WARNING	66	Heat sink Temperature Low	X			This warning is based on the temperature sensor in the IGBT Module (Only on 400 V 30-90 kW units).
-	A608-IDF VFD WARNING	87	Auto DC Braking	X			The drive is auto DC braking.
-	A608-IDF VFD WARNING	201	Fire Mode	X			Fire mode has been activated.
-	A608-IDF VFD WARNING	202	Fire M Limits Exceeded	X			Fire Mode has suppressed on or more warranty voiding alarms.
F610-IDF VFD PWR CARD TEMP	A605-IDF VFD THERMAL WARNING	69	Pwr Card Temperature	X	X	X	The temperature sensor on the power card is either too hot or too cold.
F611-IDF VFD EARTH FAULT	A608-IDF VFD WARNING	14	Earth fault	X	X	X	Discharge from output phases to ground.
F611-IDF VFD EARTH FAULT	-	44	Earth fault 2		X	X	Discharge from output phases to ground.
F612-IDF VFD CTL WORD LOSS	A608-IDF VFD WARNING	17	Control word timeout	X	X		No communication to variable frequency drive.
F613-IDF VFD OVER CURRENT	A607-IDF VFD CURRENT LIMIT	13	Over Current	X	X	X	Inverter peak current limit is exceeded.
F614-IDF VFD MOTOR OVER TEMP	A605-IDF VFD THERMAL WARNING	10	Motor ETR over temperature	X	X		Motor is too hot due to more than 100% load for too long. See parameter 1-90.
F615-IDF VFD OVERLOAD	A608-IDF VFD WARNING	9	Inverter overloaded	X	X		More than 100% load for too long.
F616-IDF VFD UNDER VOLTAGE	A606-IDF VFD VOLTAGE WARNING	8	DC under voltage	X	X		Intermediate circuit voltage drops below "voltage warning low" limit.
F617-IDF VFD OVER VOLTAGE	A606-IDF VFD VOLTAGE WARNING	7	DC over voltage	X	X		Intermediate circuit voltage exceeds limit.
F618-IDF VFD SHORT CIRCUIT	-	16	Short Circuit		X	X	Short-circuit in motor or on motor terminals.
F619-IDF VFD MAIN PHASE LOSS	A608-IDF VFD WARNING	4	Mains phase loss	X	X	X	Missing phase on supply side or too high voltage imbalance. Check supply voltage. See parameter 14-12
F620-IDF VFD PHASE U LOSS	-	30	Motor phase U missing		X	X	Motor phase U is missing. Check the phase.
F621-IDF VFD PHASE V LOSS	-	31	Motor phase V missing		X	X	Motor phase V is missing. Check the phase.
F622-IDF VFD PHASE W LOSS	-	32	Motor phase W missing		X	X	Motor phase W is missing. Check the phase.
F623-IDF VFD CONTROL VOLTAGE	-	47	Control Voltage Fault		X	X	24 V DC may be overloaded.
F624-IDF VFD SUPPLY VDD	-	48	VDD1 Supply Low		X	X	Control voltage low. Please contact your local Carrier representative.
F601-IDF VFD UNEXPECTED	A605-IDF VFD THERMAL WARNING	11	Motor thermistor over temperature	X	X		Thermistor or thermistor connection is disconnected. See parameter 1-90.
F601-IDF VFD UNEXPECTED	A608-IDF VFD WARNING	2	Live zero error	X	X		Signal on terminal 53 or 54 is less than 50% of value set in par 6-10, 6-12, 6-20, or 6-22.
F601-IDF VFD UNEXPECTED	A608-IDF VFD WARNING	24	Fan Fault (Only on 400V 30-90kW)	X	X		The fan is not working (Only on 400 V 30 to 90 kW units).
F601-IDF VFD UNEXPECTED	A608-IDF VFD WARNING	58	AMA internal fault	X	X		Contact your local Carrier representative.
F601-IDF VFD UNEXPECTED	A608-IDF VFD WARNING	79	Illegal PS config	X	X		Internal fault. Contact your local Carrier representative.

Table 41 — LC -7-26 VFD Fault Codes (cont)

SystemVu Fault	SystemVu Alert	VFD Number	VFD Description	VFD Warning	VFD Alarm	Trip Lock	Cause of Problem
F601-IDF VFD UNEXPECTED	A608-IDF VFD WARNING	95	Broken Belt	X	X		Torque is below the torque level set for no load, indicating a broken belt.
F601-IDF VFD UNEXPECTED	-	38	Internal fault		X	X	Contact your local Carrier representative.
F601-IDF VFD UNEXPECTED	-	50	AMA Calibration Failed		X		Contact your local Carrier representative.
F601-IDF VFD UNEXPECTED	-	51	AMA check Unom and Inom		X		The setting of motor voltage, motor current and motor power is presumably wrong. Check the settings.
F601-IDF VFD UNEXPECTED	-	52	AMA low Inom		X		The motor current is too low. Check the settings.
F601-IDF VFD UNEXPECTED	-	53	AMA motor too big		X		The motor is too big for the AMA to be carried out.
F601-IDF VFD UNEXPECTED	-	54	AMA motor too small		X		The motor is too small for the AMA to be carried out.
F601-IDF VFD UNEXPECTED	-	55	AMA Parameter out of range		X		The parameter values found from the motor are outside acceptable range.
F601-IDF VFD UNEXPECTED	-	56	AMA interrupted by user		X		The AMA has been interrupted by the user.
F601-IDF VFD UNEXPECTED	-	57	AMA timeout		X		Try to start the AMA again a number of times, until the AMA is carried out. Please note that repeated runs may heat the motor to a level where the resistance Rs and Rr are increased. In most cases, however, this is not critical.
F601-IDF VFD UNEXPECTED	-	60	External Interlock		X		External interlock has been activated. To resume normal operation, apply 24 V DC to the terminal programmed for external interlock and reset the variable frequency drive by pressing the Off/Reset button on the keypad.
F601-IDF VFD UNEXPECTED	-	80	Drive Initialized to Default Value		X		All parameter setting are initialized to default settings.
F601-IDF VFD UNEXPECTED	-	250	New spare parts		X	X	The power or switch mode power supply has been exchanged. (Only on 400 V 30 to 90 kW units). Contact your local Carrier representative.
F601-IDF VFD UNEXPECTED	-	251	New Type Code		X	X	The variable frequency drive has a new type of code (Only on 400 V 30 to 90 kW units). Contact your local Carrier representative.

### Carrier Comfort Network® (CCN) Interface

The units can be connected to the CCN if desired. The communication bus wiring is a shielded, 3-conductor cable with drain wire and is field supplied and installed. The system elements are connected to the communication bus in a daisy chain arrangement. (See Fig. 39.) The positive pin of each system element communication connector must be wired to the positive pins of the system elements on either side of it. This is also required for the negative and signal ground pins of each system element. Wiring connections for CCN should be made at the CIB. (See Fig. 27 and 28.) Consult the CCN Contractor's Manual for further information.

**NOTE:** Conductors and drain wire must be 20 AWG (American Wire Gauge) minimum stranded, tinned copper. Individual conductors must be insulated with PVC, PVC/nylon, vinyl, Teflon\*, or polyethylene. An aluminum/polyester 100% foil shield and an outer jacket of PVC, PVC/nylon, chrome vinyl, or Teflon with a minimum operating temperature range of -20°C to 60°C is required. See Table below for acceptable wiring.

MANUFACTURER	PART NO.
Alpha	2413 or 5463
Belden	8772
Carol	C2528
West Penn	302

It is important when connecting to a CCN communication bus that a color-coding scheme be used for the entire network to simplify the installation. It is recommended that red be used for the signal positive, black for the signal negative and white for the signal ground. Use a similar scheme for cables containing different colored wires.

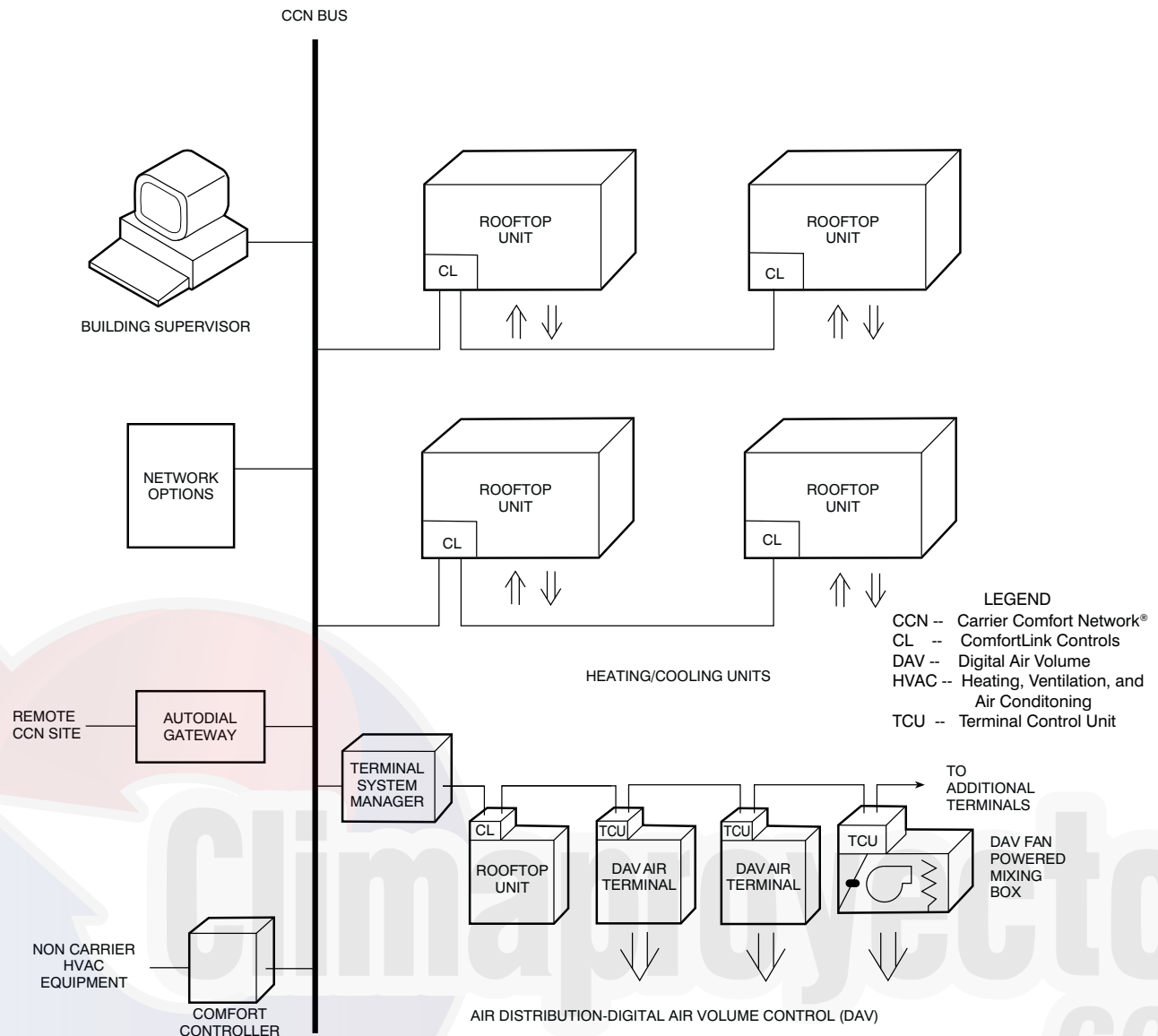
\*Teflon is a registered trademark of DuPont.

At each system element, the shields of its communication bus cables must be tied together. The shield screw on CIB can be used to tie the cables together. If the communication bus is entirely within one building, the resulting continuous shield must be connected to a ground at one point only. The shield screw on CIB is not acceptable for grounding. If the communication bus cable exits from one building and enters another, the shields must be connected to grounds at the lightning suppressor in each building where the cable enters or exits the building (one point per building only).

To connect the unit to the network:

1. Turn off power to the control box.
2. Cut the CCN wire and strip the ends of the red (+), white (ground), and black (-) conductors. (Substitute appropriate colors for different colored cables.)
3. Connect the red wire to (+) terminal on CIB, the white wire to COM terminal, and the black wire to the (-) terminal.
4. The RJ14 CCN connector on CIB can also be used, but is only intended for temporary connection (for example, a laptop computer running Carrier network software).
5. Restore power to unit.

**IMPORTANT:** A shorted CCN bus cable will prevent some routines from running and may prevent the unit from starting. If abnormal conditions occur, unplug the connector. If conditions return to normal, check the CCN connector and cable. Run new cable if necessary. A short in one section of the bus can cause problems with all system elements on the bus.



**Fig. 39 - CCN System Architecture**

C07030

# APPENDIX A: SystemVu™ Controller Display

## Run Status Main Menu Layout

Display Text	Expanded Text	Values	Units	Write Status	Point
<b>SHUTDOWN UNIT?</b>	Local Unit Shutdown Req.	Yes/No	n/a	Command	
<b>RUN STATUS</b>	Run Status Menu				
<b>MODE</b>	Mode Status Menu				
MODE	Operating Mode	see Appendix B			MODETEXT
SUB-MODE	Operating Sub-Mode	see Appendix B			SUBMTEXT
DEMAND	System Demand	see Appendix B			SYS_DMDT
LINKAGE ACTIVE	Linkage Active	Yes/No		Forcible	LNK_ACT
EFF COOL SETPOINT	Cool Setpoint In Effect	xx.x	° F		CSP_EFF
EFF HEAT SETPOINT	Heat Setpoint In Effect	xx.x	° F		HSP_EFF
DEMAND CTRL TEMP	Effective Demand Temp	xxx.x	° F		TEMP_EFF
OCC SPRH SET PT	Occupied SPRH Setpoint	0 to 100	%		SPRH_OSP
UNOCC SPRH SET PT	Unoccupied SPRH Setpoint	0 to 100	%		SPRH_USP
COOL MODE T.GUARD	Cool Mode Select T.guard	xxx	sec		COOLMSTG
HEAT MODE T.GUARD	Heat Mode Select T.guard	xxx	sec		HEATMSTG
COOLING DEMAND	Space Cooling Demand	xx.x	° F		COOL_DMD
COOL DEMAND TREND	Cooling Demand Trend	xx.x	^ F/min		CLDTREND
HEATING DEMAND	Heating Space Demand	xx.x	° F		HEAT_DMD
HEAT DEMAND TREND	Heat Space Demand Trend	xx.x	^ F/min		HTDTREND
DMD LIMIT STATUS	DEMAND LIMIT STATUS				
COOL DMD LIM OFF	Cool Demand Limiting	Off/On			CDMLMOFF
HEAT DMD LIM OFF	Heat Demand Limiting	Off/On			HDMLMOFF
COOL DMD LIM LEV	Cool demand Limit Level	0 to 3			CDMDLLEV
HEAT DMD LIM LEV	Heat demand Limit Level	0 to 3			HDMDLLEV
CL DMD LIM OFFSET	Cool Demand limit offset	xx.x	° F		COOLDLMO
HT DMD LIM OFFSET	Heat Demand limit offset	xx.x	° F		HEATDLMO
<b>COOL</b>	Cooling Status Menu				
IDF SPEED OUTPUT	Commanded IDF Speed	0 to 100	%		FANSPEED
ACTIVE COOL STAGE	Actual Cool Stage Active	x			ACTCSTGS
COMMANDED ODF SPD	Commanded ODF Speed	xxxx	rpm		ODFSPD
ODF SDT SP	ODF Control SDT SP	xxxx	° F		ODFSDTSP
LA CTRL STATUS	Low Ambient Ctrl Status	0 = Normal, 1 = Entering, 2 = Low Ambient, 3 = Exiting			LACTRLST
REQ. DEHUM LEVEL	Requested Dehum Level	0 to 2			REQDHLEV
<b>MECHANICAL COOLING</b>	Mechanical Cooling Detail Sub-Menu				
OK TO USE COMPS?	Ok to use compressors?	Yes/No			OKMECHCL
MECH COOL ACTIVE	Mechanical Cool active?	Yes/No			MECHCOOL
MAX COOL STAGES	Max Allowed Cool Stages	0 to 3		Forcible	MAXCSTGS
REQ. COOL STAGES	Requested Cooling Stages	0 to 3			REQCSTGS
ACTIVE COOL STAGE	Actual Cool Stage Active	x			ACTCSTGS
COMMANDED ODF SPD	Commanded ODF Speed	xxxx	rpm		ODFSPD
COMP A1 TIMEGUARD	Compressor A1 Timeguard	xxx	sec		TIMGD_A1
COMP A2 TIMEGUARD	Compressor A2 Timeguard	xxx	sec		TIMGD_A2
SUPPLY AIR TREND	Supply Air Temp Trend	xxx.x	^ F/min		SATTREND
COMP A1 STRIKES	Compressor A1 Strikes	x			A1STRIKE
COMP A2 STRIKES	Compressor A2 Strikes	x			A2STRIKE
HI PRESS OVERRIDE	High Pressure Override	Yes/No			HP_OVR
CIRCUIT A LOCKOUT	Circuit A Locked Out	Yes/No			CIRALOCK
LOW COOL LOCKOUT	Low cooling locked out	Yes/No			LC_LOCK
MED COOL LOCKOUT	Medium Cooling lockout	Yes/No			MC_LOCK
COMP A1 AVAILABLE	Compressor A1 Available	Yes/No			CA1_AVAL
COMP A1 LOCKOUT	Compressor A1 locked out	Yes/No			CA1_LOCK
COMP A2 AVAILABLE	Compressor A2 Available	Yes/No			CA2_AVAL
COMP A2 LOCKOUT	Compressor A2 locked out	Yes/No			CA2_LOCK
<b>FREE COOLING</b>	Free Cooling Detail Sub-menu				
OK TO FREE COOL?	OK to Use Free Cooling?	Yes/No			OKFREECL
IN FREE COOLING	Free Cooling active	Yes/No			FREECOOL
FREECOOL SAT SP	Free Cooling SAT Setpnt	xx.x	° F		FC_SATSP
REQ. DAMPER POS	Requested Damper Pos	0 to 100	%		REQDAMP
ECON OPERATIONAL?	Econ Damper Operational	Yes/No			DAMPGOOD
DRY BULB LOCKOUT	Dry Bulb Lockout	Yes/No		Forcible	DBLOCK
ENTHALPY LOCKOUT	Enthalpy Lockout	Yes/No		Forcible	ENTHLOCK
OK TO UNOCC FC?	Ok to unocc Free Cool?	Yes/No			OKTOUFC
IN UNOC FREECOOL?	Unocc Free Cool Active	Yes/No			UFC_ACT
UFC LOCKOUT?	Unocc Free Cool Lockout	Yes/No			UNOCLOCK

**APPENDIX A: SystemVu™ Controller Display**  
**Run Status Main Menu Layout (cont)**

Display Text	Expanded Text	Values	Units	Write Status	Point
<b>COOL (cont)</b> DEHUM OK TO DEHUM OD TO FAN BASE DH HUMIDIMIZER OK REQ. DEHUM STGS FBD SST LOCK OUT FBD SAT LOCK OUT	Cooling Status Menu DEHUM Ok to Dehumidify? Ok to fan based dehum Ok to use humidimizer Req Compr DehumStgs FBDH SST FBDH SAT Lockout	Yes/Notlocked out Yes/No Yes/No 0 to 3 Yes/No Yes/No			OKTODHUM OKTOFBD OKTOHUMZ REQDSTGS FBDSSTLO FBDSATLO
<b>HEAT</b> IDF SPEED OUTPUT IGC FAN REQUEST REQ. HEAT STAGES ACTIVE HEAT STAGE OK TO USE HEAT? MAX HEAT STAGES HEAT 1 TIMEGUARD HEAT 2 TIMEGUARD SUPPLY AIR TREND HEAT LOCKOUT HEAT 1 AVAILABLE HEAT 2 AVAILABLE OK TO SA TEMPER	Heating Status Menu Commanded IDF Speed IGC Fan On Request (IFO) Requested Heating Stages Actual Heat Stage Active OK to Run Heat Max Allowed Heat Stages Heat Stage 1 Timeguard Heat Stage 2 Timeguard Supply Air Temp Trend All Heat Stages Lockout Heat Stage 1 Available Heat Stage 2 Available OK to SupplyAirTempering	0 to 100 On/Off 0 to 2 x Yes/No 0 to 2 xxx xxx xxx.x Yes/No Yes/No Yes/No Yes/No	%       sec sec ^ F/min	Forcible       Forcible	FANSPEED IGC_IFO REQHSTGS ACTHSTGS OKTOHEAT MAXHSTGS TIMGD_H1 TIMGD_H2 SATTREND ALLHTLOC HT1_AVAL HT2_AVAL OKTOTEMP
<b>VENTILATION</b> VENT MODE EFFECTIVE MIN POS ECON ACT POSITION IDF SPEED OUTPUT OCCUPIED NOW IN PREOCC PURGE? IN FREE COOLING DIFF AIR QUALITY OK TO PREOC PURGE Override IAQ? IAQ OVRRD SW STAT DCV CURVE OFFSET	Ventilation Status Menu Ventilation Status Min Position in Effect Econo Actual Position Commanded IDF Speed Currently Occupied In Pre–Occupancy Purge? Free Cooling active Differential Air Quality Ok to Preoccupancy Purge Is IAQ Override Active? IAQ override sw state IAQ DCV Curve Offset	see Appendix B 0 to 100 0 to 100 0 to 100 Yes/No Yes/No Yes/No Yes/No Yes/No Yes/No 0 to 100	% % %    PPM enum enum %	Forcible       Forcible	VENTTEXT MIN_POS DAMPPOS FANSPEED OCCUPIED PREOCCON FREECOOL AQ_DIFF OKPREOCC IAQ_OVRD IAQ-OVRS IAQ_OFFS
<b>INDOOR FAN</b> IDF SPEED OUTPUT IDF SPD OVERRIDE IDF ERRORS? IDF SPD REDUCTION VFD OUTPUT AMPS VFD OUTPUT HP VFD FAULT DETAIL	Indoor Fan Status Menu Commanded IDF Speed IDF Speed Override Flag IDF Operation Errors? IDF Speed Reduction On IDF VFD Output Amps IDF VFD Output Power hp IDF VFD Fault Detail	0 to 100 On/Off Yes/No Yes/No xxx.xx xxx.x 0=NONE, 1=PWR CARD, 2=EARTH FLT, 3=CTRL WORD, 4=OVER CIRR, 5=OVERLOAD, 7=UNDERVOLT, 8=OVER VOLT 9=SHORT CIR, 10=PHASELOSS, 11=U LOSS, 12=V LOSS, 13=W LOSS, 14=CTRL VOLT, 15=VDD LOW, 16=MULTIPLE, 17=UNEXPECT	% enum enum enum amps HP		FANSPEED FAN_OVRD IDFBAD FANRED10 OUTMCUR OUTPWRHP SVDFDL
<b>VFD WARN DETAIL</b>	IDF VFD Warning Detail	0=NONE, 1=VOLTAGE, 2=CURRENT, 3=THERMAL, 4=MULTIPLE, 5=UNEXPECT			SVFDWAR
<b>GENERAL</b> FILTER TIME LEFT RESET FILTER TIME IN DAYLIGHT SAVE? TCS ACTIVE?	General Run Data Menu Filter hour remaining Reset Filter Timer DST currently active Temp Compensate Start On	xxxx Yes/No Yes/No Yes/No	hours n/a n/a n/a	Command	FILTLEFT RESETFLT DST_ACTV TCS_ACT

**APPENDIX A: SystemVu™ Controller Display**  
**Run Status Main Menu Layout (cont)**

Display Text	Expanded Text	Range	Units	Default	Point
OCCUPANCY	OCCUPANCY DATA				
OCCUPIED NOW	Currently Occupied	Yes/No		Forcible	OCCUPIED
MINS UNTIL OCC	Mins until next occupied	xxxxx	min		MINTILOC
ACTIVE OCC CTRL	Active Occupancy control	0=24/7 OCC, 1=SCHEDULE, 2=BAS CTRL, 3=REMOC CTL, 4=TIME OVRD, 5=LINKAGE, 6=FORCED			OCC_CTRL
LINKAGE OCC REQ	Linkage Occupied Request	0=Unocc, 1=Occupied, 2=Disabled			LNK_OCC
TIMED OVRD REMAIN	Timed Override Remaining	0 to 240	min	Forcible	OVR_EXT
REMOTE OCC SWITCH	Remote Occupancy Switch	On/Off		Forcible	REMOCC
BMS OCC REQUEST	BMS Occupancy Request	0=UNOCC, 1=OCCUPIED, 2=DISABLED		Forcible	BMS_OCC
LOCAL OCC REQUEST	Local Sched Occ Request	0=Unocc, 1=Occupied		Forcible	LOC_OCC
ACTIVE PERIOD	Active Schedule period	0 to 8			PER_NO
HOLIDAY TOMORROW?	Tomorrow Is A Holiday	Yes/No			HOL_TMRW
HOLIDAY TODAY?	Today Is A Holiday	Yes/No			HOLTODAY
NEXT OCC DAY	Next Occupied Day	DDD			NXTOCDAY
NEXT OCC TIME	Next Occupied Time	hh:mm			NXTOCTIM
NEXT UNOCC DAY	Next Unoccupied Day	DDD			NXTUNDAY
NEXT UNOCC TIME	Next Unoccupied Time	hh:mm			NXTUNTIM
PREV UNOCC DAY	Previous Unoccupied Day	DDD			PRVUNDAY
PREV UNOCC TIME	Previous Unoccupied Time	hh:mm			PRVUNTIM

**Settings Main Menu Layout**

Display Text	Expanded Text	Range	Units	Default	Point
<b>SETTINGS</b>	Settings Menu				
SPACE SET POINTS	Space Setpoints Adjustment Menu				
OCC COOL SETPOINT	Occupied Cool Setpoint	55 to 80	°F	78	OCCSP
OCC HEAT SETPOINT	Occupied Heat Setpoint	55 to 80	°F	68	OHSP
UNOCC COOL SETPNT	Unoccupied Cool Setpoint	65 to 95	°F	85	UCSP
UNOCC HEAT SETPNT	Unoccupied Heat Setpoint	40 to 80	°F	60	UHSP
HEAT-COOL SP GAP	Heat-Cool Setpoint Gap	2 to 10	^F	5	HCSP_GAP
SPT SLIDER RANGE	SPT Offset Range (+/-)	0 to 5.0	°F	5	SPTO_RNG
OCC SPRH SET PT	Occupied SPRH Setpoint	0 to 100	%	55	SPRH_OSP
UNOCC SPRH SET PT	Unoccupied SPRH Setpoint	0 to 100	%	55	SPRH_USP
SA TEMPER SET PNT	SA tempering Set point	xx	°F	50	SATEMPSP
TEMP DEMAND CONFIG	Temperature Demand Configuration menu				
LOW COOL DMD ON	Low Cool Demand On	-1 to 2.0	°F	0.5	DMDLCON
MED COOL DMD ON	Medium Cool Demand On	0.5 to 20.0	°F	1	DMDMCON
HIGH COOL DMD ON	High Cool Demand On	0.5 to 20.0	°F	2	DMDHCON
LOW COOL DMD OFF	Low Cool Demand Off	-1 to 2.0	°F	-0.5	DMDLCOFF
COOL DMD LEVEL UP	Cool Demand Level Up	-2 to 2.0	^F/min	-0.2	CDMD_LUP
LOW HEAT DMD ON	Low Heat Demand On	-1 to 2.0	°F	0.5	DMDLHON
HIGH HEAT DMD ON	High Heat Demand On	0.5 to 20.0	°F	2	DMDHHON
LOW HEAT DMD OFF	Low Heat Demand Off	-1 to 2.0	°F	-0.5	DMDLHOFF
HEAT DMD LEVEL UP	Heat Demand Level Up	-2 to 2.0	^F/min	-0.2	HDMD_LUP
DEMAND TIMEGUARD1	Space Demand Time Guard1	60 to 600	sec	180	TDMD_TG1
DEMAND TIMEGUARD2	Space Demand Time Guard2	0 to 600	sec	300	TDMD_TG2
DEMAND TIMEGUARD3	Space Demand Time Guard3	5 to 120	min	10	TDMD_TG3
DMD LIMIT CONFIG	DEMAND LIMIT CONFIG				
COOL DMD LIM LEV1	Cool DMD Offset level 1	0 to 99	°F	1	CLDOLEV1
COOL DMD LIM LEV2	Cool DMD Offset level 2	0 to 99	°F	3	CLDOLEV2
COOL DMD LIM LEV3	Cool DMD Offset level 3	0 to 99	°F	5	CLDOLEV3
HEAT DMD LIM LEV1	Heat DMD Offset level 1	0 to 99	°F	1	HTDOLEV1
HEAT DMD LIM LEV2	Heat DMD Offset level 2	0 to 99	°F	3	HTDOLEV2
HEAT DMD LIM LEV3	Heat DMD Offset level 3	0 to 99	°F	5	HTDOLEV3
CLOCK	Clock Adjustment Menu				
TIME	Clock Hour and Minute	xx:xx	hh.mm		TIME
DATE	Current Date	MM/DD/YYYY			DATE
DAYLIGHT SAVINGS	Daylight Savings Configuration Menu				DST Menu
DAYLIGHT SAVINGS?	DST allowed?	Enable/Disable		Enable	DST_CFG

**APPENDIX A: SystemVu™ Controller Display  
Settings Main Menu Layout (cont)**

Display Text	Expanded Text	Range	Units	Default	Point
<i>CLOCK (cont)</i> DST START MONTH	Clock Adjustment Menu DST Start Month	1=JANUARY, 2=FEBRUARY, 3=MARCH, 4=APRIL, 5=MAY, 6=JUNE, 7=JULY, 8=AUGUST, 9=SEPTEMBER, 10=OCTOBER, 11=NOVEBER, 12=DECEMBER		3	STARTM
DST START WEEK	DST Start Week	1 to 5		2	STARTW
DST START DAY	DST Start Day	1=MONDAY, 2=TUESDAY, 3=WEDNESDAY, 4=THURSDAY, 5=FRIDAY, 6=SATURDAY, 7=SUNDAY		7	STARTD
DST MINS TO ADD	DST Minutes to Add	0 to 90	min	60	MINADD
DST STOP MONTH	DST Stop Month	1=JANUARY, 2=FEBRUARY, 3=MARCH, 4=APRIL, 5=MAY, 6=JUNE, 7=JULY, 8=AUGUST, 9=SEPTEMBER, 10=OCTOBER, 11=NOVEBER, 12=DECEMBER		1	STOPM
DST STOP WEEK	DST Stop Week	1 to 5		1	STOPW
DST STOP DAY	DST Stop Day	1=MONDAY, 2=TUESDAY, 3=WEDNESDAY, 4=THURSDAY, 5=FRIDAY, 6=SATURDAY, 7=SUNDAY		7	STOPD
DST MINS TO SUB	DST Minutes to Subtract	0 to 90	min	60	MINSUB
START TIME IN DAY	Time in day to start DST	0 to 600	min	120	DST_TOD
SCHEDULES	Schedules Adjustment Menu				
SCHEDULE NUMBER	CCN Schedule Number	0 = Always Occupied, 1-64 = Local Schedule, 65-99 = Global Schedule		0	SCHEDNUM
OCCUPANCY SCHEDULE	OCCUPANCY SCHEDULE DATA				
HOLIDAYS	Holiday adjustment Menu				
ALLOW G. HOLIDAY?	Accept Global Holidays?	Yes/No		No	HOLIDAYT
TIMED OVR LENGTH	Timed Override Duration	0 to 4	hours	4	OTL_CFG
UNIT CONFIGURATIONS	Unit Configurations Menu				
GENERAL	General Unit Configurations Menu				
STARTUP DELAY	Unit Startup Delay	10 to 600	sec	30	STARTDLY
UNIT CONTROL TYPE	Unit Control Type	0=TSTAT, 1=SPACE SEN, 2=RAT SEN		0=TSTAT	CTRLTYPE
THERMOSTAT TYPE	Thermostat Hardware Type	0=CONV 2C2H, 1=DIGI 2C2H, 2=CONV 3C2H, 3=DIGI 3C2H 4=DIGI 2C2H_S		2=CONV 3C2H	STATTYPE
ADAPTIVE TSTAT	Tstat Adaptive Staging	Yes/No		Yes	ADPTSTAT
DIRTY FILTER TIME	Change Filter Timer	0 to 9999	hours	600	FILTIFE
TEST MODE TIMEOUT	Test inactivity time out	0=Disabled, 1=30 minutes, 2=1 hour, 3=2 hours, 4=4 hours, 5=8 hours, 6=12 hours		4=4 hours	TEST_ITO
CCH MAX TEMP	CCH Max Temperature	40 to 90	°F	65	CCHMAXT
STD BARO PRESSURE	Std Barometric Pressure	13.00 to 35.00	in.Hg	29.92	STD_BARP
LINK STAGEUP TIME	Linkage Stage inc. time	60 to 600	sec	180	LSTAGINC
UNIT'S MAX SAT	Unit's Maximum SAT	130 to 210	°F	200	UMAX_SAT
AUTO SAT FAULTS?	Auto Clr SAT Limit Fault	Yes/No		No	SATLACLR
ADAPTIVE TCS?	Adaptive Temp Comp Start	Enable/Disable		Yes	TCS_CFG
USER TCS BIASTIME	User TCS Start bias time	0 to 180	min	0	TCSUBIAS

## APPENDIX A: SystemVu™ Controller Display Settings Main Menu Layout (cont)

Display Text	Expanded Text	Range	Units	Default	Point
<i>UNIT CONFIGURATIONS (cont)</i> SWITCH INPUTS CONFGS	Unit Configurations Menu DI Config Menu				
FIRE SHUTDOWN SW	Fire Shutdown Switch	0=NORM OPEN, 1=NORM CLSD, 2=NO SWITCH		2: no FIOP 0: FIOP	FIRE_CFG
HUMSTAT CHANNEL	HumidistatStatus Channel	0=None, 1=MBB DI12, 2=MBB DI13, 3=MBB DI14, 4=MBB DI02, 5=MBB DI04, 6=SIOB DI01		0=for all except Humidimizer 6=Humidimizer Units	HUMDCHAN
HUMSTAT SW TYPE	Humidistat Switch Type	0=NORM OPEN, 1=NORM CLSD,		0=NORM OPEN	HUMD_CFG
FILTER SW CHANNEL	Filter Status Sw Channel	0=None, 1=MBB DI12, 2=MBB DI13, 3=MBB DI14, 4=MBB DI02, 5=MBB DI04		0=None	FILTCHAN
FILTER SW TYPE	Filter Status Swith Type	0=NORM OPEN, 1=NORM CLSD		0=NORM OPEN	FILT_CFG
REMOTE OCC CHAN	Remote Occupancy Channel	0=None, 1=MBB DI12, 2=MBB DI13, 3=MBB DI14, 4=MBB DI02, 5=MBB DI04		0=None	RMOCCHAN
REMOTE OCC TYPE	Remote Occupancy Sw Type	0=NORM OPEN, 1=NORM CLSD		0=NORM OPEN	RMOC_CFG
REM.SHUTDOWN CHAN	Remote Shutdown Channel	0=None, 1=MBB DI12, 2=MBB DI13, 3=MBB DI14, 4=MBB DI02, 5=MBB DI04		0=None	ROFFCHAN
REM.SHUTDOWN SW T	Remote Shutdown Sw Type	0=NORM OPEN, 1=NORM CLSD		0=NORM OPEN	ROFF_CFG
REM.SHUTDOWN TYPE	Remote Shutdown ALM Type	0=Normal, 1=Emergency		0=Normal	ROFFTYPE
COFS CHANNEL	COFS Assigned Channel	0=None, 1=MBB DI12, 2=MBB DI13, 3=MBB DI14, 4=MBB DI02, 5=MBB DI04		0=None	COFSCHAN
COFS TYPE	COFS Switch Type	0=NORM OPEN, 1=NORM CLSD		1=NORM CLSD	COFS_CFG
GEN STATUS CHAN	General Status Channel	0=None, 1=MBB DI12, 2=MBB DI13, 3=MBB DI14, 4=MBB DI02, 5=MBB DI04		0=None	GEN_CHAN
GEN STAT SW TYPE	General Status Sw Type	0=NORM OPEN, 1=NORM CLSD		0=NORM OPEN	GENS_CFG
SHUTDOWN GEN STAT ENTHALPY SW CHAN	General Status shutdown? Enthalpy Sw Channel	Yes/No 0=None, 1=MBB DI12, 2=MBB DI13, 3=MBB DI14, 4=MBB DI02, 5=MBB DI04		Yes 0=None	GENFATAL ENTHCHAN
ENTHALPY SW TYPE	Enthalpy Switch Type	0=NORM OPEN, 1=NORM CLSD		0=NORM OPEN	ENTH_CFG
<b>ANALOG INPUT CONFGS</b>	<b>Analog Inputs Configuration Menu</b>				
SPRH SENS CHANNEL	SPRH Assigned Channel	0=None, 1=MBB AI06, 2=MBB AI07, 3=MBB AI08 4=SIOB AI10		0=None	SPRHCHAN
SPRH RH @ 4MA	SPRH Sensor Value at 4mA	0 to 100	%	0	SPRH_4MA
SPRH RH @ 20MA	SPRH Sensor Value @ 20mA	0 to 100	%	1	SPRH20MA
IAQ SENSOR CHAN	IAQ Assigned Channel	0=None, 1=MBB AI06, 2=MBB AI07, 3=MBB AI08		0: no FIOP 1: FIOP	IAQ_CHAN
IAQ PPM @ 4MA	IAQ Sensor Value at 4mA	0 to 5000	ppm	0	IAQ_4MA
IAQ PPM @ 20MA	IAQ Sensor Value at 20mA	0 to 5000	ppm	2000	IAQ_20MA



## APPENDIX A: SystemVu™ Controller Display Settings Main Menu Layout (cont)

Display Text	Expanded Text	Range	Units	Default	Point
<i>ANALOG INPUT CONFIGS (cont)</i>	Analog Inputs Configuration Menu				
OAQ SENSOR CHAN	OAQ Assigned Channel	0=None, 1=MBB AI06, 2=MBB AI07, 3=MBB AI08		0=None	OAQ_CHAN
OAQ PPM @ 4MA	OAQ Sensor Value at 4mA	0 to 5000	ppm	0	OAQ_4MA
OAQ PPM @ 20MA	OAQ Sensor Value at 20mA	0 to 5000	ppm	2000	OAQ_20MA
OARH SENSOR CHAN	OARH Assigned Channel	0=None, 1=MBB AI06, 2=MBB AI07, 3=MBB AI08	n/a	0: no Enthalpy FIOF 3: Enthalpy FIOF	OARHCHAN
OARH RH @ 4MA	OARH Sensor Value at 4mA	0 to 100	%	0	OARH_4MA
OARH RH @ 20MA	OARH Sensor Val. at 20mA	0 to 100	%	100	OARH20MA
RARH SENS CHANNEL	RARH Assigned Channel	0=None, 1=MBB AI06, 2=MBB AI07, 3=MBB AI08	n/a	0=None	RARHCHAN
RARH RH @ 4MA	RARH Sensor Value at 4mA	0 to 100	%	0	RARH_4MA
RARH RH @ 20MA	RARH Sensor Value @ 20mA	0 to 100	%	100	RARH20MA
OACFM SENSOR CHAN	OACFM Assigned Channel	0=None, 1=MBB AI06, 2=MBB AI07, 3=MBB AI08, 4=SI0B AI10	n/a	0=None	OACFMCHAN
OACFM @ 4MA	OACFM value at 4mA	0 to 100	CFM	0	OACFM_4MA
OACFM @ 20MA	OACFM Value @ 20mA	0 to 100	CFM	20	OACFM20MA
<b>COOLING</b>	Cooling Configurations Menu				
COOLING STAGE QTY	Number of Cooling Stages	0 to 3		3	NUMCSTGS
LOW COOL COMP	Low Cool Compressor	1 to 2		1	LC_COMP
COMP MIN ON TIME	Compressor Min On Time	180 to 600	sec	300	C_MINON
COMP MIN OFF TIME	Compressor Min Off Time	120 to 600	sec	180	C_MINOFF
STRIKE CLEAR TIME	Runtime to Reset Strikes	120 to 999	sec	300	MIN_ON_S
COOL STAGEUP TIME	Cool Stage Increase Time	120 to 999	sec	450	CSTAGINC
COOL SATTREND LEV	Cooling SAT Trend Level	-1.0 to 1.0	^ F/min	-0.2	SAT_TLC
UPPER MIN SAT	Cool Min SAT Upper Level	35.0 to 65.0	° F	56 (sizes 04-06) 53 (sizes 07-12) 56 (sizes 14-26)	SATMIN_H
LOWER MIN SAT	Cool Min SAT Lower Level	35.0 to 65.0	° F	46 (sizes 04-06) 42 (sizes 07-12) 46 (sizes 14-26)	SATMIN_L
SPRH DEADBAND	Space RH Deadband	0	%	5	SPRH_D8
HUMZ LOCKOUT OAT	Humidimizer Lockout Temp	-20 to 75	° F	40	OATLHUMZ
COOL FANOFF DELAY	Cooling Fan-off Delay	0 to 600	sec	75	COOL_FOD
FBD TYPE	FBD CONTROL TYPE	0=None, 1=Comfort, 2=Max		0=None	FBD_TYPE
FBD SAT MIN VALUE	FBD SAT MIN VALUE	35 to 80	° F	46	FBDH_SAT
FBD LOW SP	FBD LOW SP	-20 to 0	° F delta	-2.5	FBDLO_SP
FBD SST MIN VALUE	FBD SST MIN VALUE	10 to 60	° F	32	FBDH_SST
LOW AMBIENT	LOW AMBIENT CONFIGS MENU				
CIR.A LOCKOUT OAT	Circuit A Lockout Temp	-20 to 75	° F	0: no Economizer FIOF 40: Economizer FIOF	OATLCMPA
LOW AMBIENT TEMP	Low Ambient Temperature	0 to 80	° F	66	LA_TEMP
LOW COOL MIN OAT	Low Cool lockout Temp	-20 to 60	° F	10 (sizes 04-06) 30 (sizes 07-12) 40 (sizes 14-26)	LCLOCKSP
MED COOL MIN OAT	Medium Cool lockout Temp	-20 to 60	° F	20 (sizes 07-12) 30 (sizes 14-26)	MCLOCKSP
LA DEHUM LEV 1	Low Ambient Dehum Lev 1	40 to 125	° F	80	LAHTEMP1
LA DEHUM LEV 2	Low Ambient Dehum Lev 2	40 to 125	° F	61	LAHTEMP2
LA DEHUM LEV 3	Low Ambient Dehum Lev 3	40 to 125	° F	55	LAHTEMP3
LA DEHUM SDT SP 1	LA Dehum SDT SP Lev 1	60 to 120	° F	82	LHSDTSP1
LA DEHUM SDT SP 2	LA Dehum SDT SP Lev 2	60 to 120	° F	93	LHSDTSP2
LA DEHUM SDT SP 3	LA Dehum SDT SP Lev 3	60 to 120	° F	104	LHSDTSP3
HUMZ ENABLE	Humidimizer Status	Yes/No	enum	No for all except Humidimizer units	HUMZ_EN
RDVA ENABLE	Reheat Dischg Valve CirA	Yes/No	enum	No for all except Humidimizer units	RDVA_EN
RLVA ENABLE	Reheat Liquid Valve CirA	Yes/No	enum	No for all except Humidimizer units sizes 04-06	RLVA_EN
CLVA ENABLE	Cooling Liq Valve CirA	Yes/No	enum	No for all except Humidimizer units sizes 04-06	CLVA_EN

## APPENDIX A: SystemVu™ Controller Display Settings Main Menu Layout (cont)

Display Text	Expanded Text	Range	Units	Default	Point
<i>COOLING (cont)</i>					
LDVA ENABLE	Cooling Configurations Menu Liquid Divert Valve CirA	Yes/No	enum	No for all except Humidimizer units sizes 07–26	LDVA_EN
CHARGE DIAGNOSTICS	Refrigerant Charge Diagnostic Config Menu				
LOW CHARGE LEVEL	Low Refrig Charge Level	0 to 150	psi	50	LOCHARGE
NO LOW CHARGE OAT	Low Charge Disable Temp	–40 to 50	°F	10	LOCH_LOT
CIR.A SDP LIMIT	CirA High Pressure Limit	400 to 700	psig	600	HIPLIM_A
LOW DISCHARGE LEV	Low Discharge Level	5.0 to 20.0	°F	7	SDTLEV
MIN PRESS RATIO	Minimum pressure ratio	0.00 to 5.00		1.35	MINPSI_R
LOW SUCTION DIAG.	Low Suction Diagnostic Config Menu				
LOW SUC OK TEMP	Suction OK Temperature	10.0 to 50.0	°F	18	SSTOK
LOW SUC LEVEL 1	Low Suction Level 1 Temp	10.0 to 50.0	°F	20	SSTLEV1
LOW SUC LEVEL 2	Low Suction Level 2 Temp	5.0 to 50.0	°F	15	SSTLEV2
LOW SUC LEVEL 3	Low Suction Level 3 Temp	0.0 to 50.0	°F	10	SSTLEV3
LO SUC DIAG DELAY	Delay On Low SST Check	0 to 300	sec	0	SSTCKDLY
COMPRESSOR TRANSITION	Compressor Transition diagnostic config menu				
COMP L2 DIAG DLY	Comp level 2 diag delay	1 to 99	sec	15 (sizes 04–12) 40 (sizes 14–26)	CDDTLEV2
IAG. COMP OFF	Diag Comp Unexpected Off	Enable/Disable		Enable	CD_UEOFF
CIR STUCK ON DIAG	Circuit Stuck On Diag.	Enable/Disable		Enable	DCKTOFF
CIR.A MIN DIS.P	Min discharge change	0 to 99.0	psi	11 (sizes 04–12) 17 sizes 14–26)	MDP_DISA
CIR.A MIN SUC.P	Min Suction change	0 to 99.0	psi	4 (sizes 04–06) 6.5 (size 07) 8 (size 08) 7 (sizes 09–12) 14 (sizes 14–26)	MDP_SUCA
OFF PRATIO	CirA P.Ratio off change	–1.00 to 1.00		–0.2 (sizes 07, 09–14) –0.3 (sizes 08, 17–26)	OFFPR_A
ODF SETTINGS	Outdoor Fans Configurations Menu				
ODF SIGNAL QTY	Number of ODF Outputs	0 to 3		1 (sizes 04–06) 2 (sizes 07,17, or 20) 3 (sizes 08–14, 24–26)	NUM_ODF
ODF LOW COOL SPD	ODF Low Cool Speed	0 to 1200	rpm	1000 (size 04) 1075 (sizes 05–06) 550 (sizes 07–12) 700 (sizes 14–17, 26) 650 (sizes 20–24)	ODFLCSPD
ODF MED COOL SPD	ODF Med Cool Speed	0 to 1200	rpm	1000 (size 04) 1075 (sizes 05–06) 700 (sizes 07, 12, or 24) 600 (size 08) 650 (size 09) 800 (sizes 14,17, or 26) 750 (size 20)	ODFMCSPD
ODF HIGH COOL SPD	ODF High Cool Speed	0 to 1200	rpm	1000 (size 04) 1075 (sizes 05–06) 950 (sizes 07 or 09) 900 (size 08) 1000 (sizes 12–26)	ODFHCSPD
ODF MAXIMUM SPEED	ODF Maximum Speed	0 to 1200	rpm	1000 (size 04) 1075 (sizes 05–06) 950 (sizes 07 or 09) 900 (size 08) 1000 (sizes 12–26)	ODFMAXSP
ODF MINIMUM SPEED	ODF Minimum Speed	0 to 1200	rpm	160	ODFMINSP
ODF ADVANCED CONFIGS	Outdoor Fan Advanced Configs Menu				
ODF GAIN	ODF Gain	–100 to 100.00		50 (sizes 04–06) 1 (size 07) 2 (sizes 08–12) 1.8 (sizes 14–20) 1.4 (sizes 24–26)	ODF_KC
ODF ANTI-WINDUP	ODF anti-windup factor	–100 to 100.00		0.6	ODF_NI
ODF INTEGRAL TIME	ODF Integral Time	–100 to 100.00		20 (sizes 04–12) 40 (sizes 14–26)	ODF_TI
ODF MBIAS 1	ODF Map Bias Term 1	–200 to 200.00		72.5 (sizes 04–06) 66.7 (size 07) –44.55 (sizes 08–12) 10 (sizes 14–20) 72.5 (sizes 24–26)	ODFBIAS1
ODF MBIAS 2	ODF Map Bias Term 2	–200 to 200.00		100.98 (sizes 04–06) 95.2 (size 07) 80.59 (sizes 08–12) 35.3 (sizes 14–20) 100.98 (sizes 24–26)	ODFBIAS2

**APPENDIX A: SystemVu™ Controller Display  
Settings Main Menu Layout (cont)**

Display Text	Expanded Text	Range	Units	Default	Point
<i>ODF SETTINGS (cont)</i> ODF MBIAS 3	Outdoor Fans Configurations Menu ODF Map Bias Term 3	-200 to 200.00		20.93 (sizes 04-06) 0 (sizes 07, 14-20) 65.29 (sizes 08-12) 114.74 (sizes 24-26)	ODFBIAS3
ODF SWITCH POINT1	ODF Fan Switch Point 1	-100 to 100.00		3.68 (size 07) 3.4 (sizes 08-12) 4.84 (sizes 14-20) 1.58 (sizes 24-26)	ODFPIUP1
ODF SWITCH POINT2	ODF Fan Switch Point 2	-100 to 100.00		17.1 (size 07) 9.06 (sizes 08-12) 22.3 (sizes 14-20) 10.44 (sizes 24-26)	ODFPIUP2
ODF SWITCH POINT3	ODF Fans Switch Point 3	-100 to 100.00		100 (sizes 07, 14-20) 19.76 (sizes 08-12) 20.93 (sizes 24-26)	ODFPIUP3
ODF PROP PR	ODF Proportional ctrl Pr	-100 to 100.00		1.4 (sizes 04-06) 25 (sizes 07-12) 50 (sizes 14-26)	ODFPR_KC
ODF MSLOPE 1	ODF Map Slope Term 1	-100 to 100.00		55.3 (sizes 04-06) 25.3 (size 07) 60.09 (sizes 08-12) 31 (sizes 14-20) 55.33 (sizes 24-26)	ODFSLPE1
ODF MSLOPE 2	ODF Map Slope Term 2	-100 to 100.00		19.07 (sizes 04-06) 9 (size 07) 18.69 (sizes 08-12) 9.6 (sizes 14-20) 19.07 (sizes 24-26)	ODFSLPE2
ODF MSLOPE 3	ODF Map Slope Term 3	-100 to 100.00		8.85 (sizes 04-06) 1 (sizes 07, 14-20) 9.34 (sizes 08-12) 8.85 (sizes 24-26)	ODFSLPE3
<b>HEATING</b> UNIT TYPE OF HEAT	Heating Configurations Menu Type of Heat Installed	0=ELECTRIC,1=GAS		0 (50 series) 1 (48 series)	HEATTYPE
HEATING STAGE QTY	Number of Heating Stages	0 to 2		2 (all except below); 0 (50 series without FLOP heat), 1 (50 Series, sizes 04-06 low or medium heat), 1 (50 series, sizes 07-14 and low heat), 1 (50 series, sizes 07-12 and medium heat)	NUMHSTGS
HEAT MIN ON	Heat Minimum On Time	60 to 600	sec	120	H_MINON
HEAT MIN OFF	Heat Minimum Off Time	60 to 600	sec	120	H_MINOFF
HEAT STAGEUP TIME	Heat Stage Increase Time	120 to 999	sec	450	HSTAGINC
HEAT SATTREND LEV	Heating SAT Trend Level	-1 to 1.0	^ F/min	0.2	SAT_TLH
LOWER MAX SAT	Heat Max SAT Lower Level	85.0 to 200.0	°F	140	SATMAX_L
UPPER MAX SAT	Heat Max SAT Upper Level	85.0 to 200.0	°F	160	SATMAX_H
HEAT FANOFF DELAY	Heating Fan-off Delay	10 to 600	sec	30 (50 series) 45 (48 series)	HEAT_FOD
HEAT LOCKOUT OAT	Heating Lockout Temp	40 to 125	°F	75	OATLHEAT
SAT DURING HEAT?	SAT Heat Mode Sensing	Enable/Disable		Disable	SAT_HEAT
IGC IFO TIMEOUT	No IGC IFO input Timeout	0 to 60	min	5	NO_IGCTM
PREHEAT W/O IDF?	Pre-Heat HX without IDF?	Enable/Disable		Disable	PREHT_HX
PREHEAT FAN DELAY	Pre-Heat Fan On Delay	0 to 120	sec	30	PREHT_TM
SA TEMPER ENABLED	SupplyAirTemperingEnable	Yes/No		Yes	SATEMPEN
SA TEMPER SET PNT	SA tempering Set point	xx	°F	50	SATEMPSP
TEMPER MAX OUT	Max OAT for SA tempering	-40 to 125	°F	48	OATSTEMP
<b>INDOOR FAN</b> OCCUPIED FAN?	Indoor Fan Configurations Menu Fan On When Occupied	Yes/No		Yes	FANON_OC
INDOOR FAN TYPE	Indoor Fan Type	0=None 1=VFD 2=Direct Drive	1	1 = All units except sizes 04-06 fan option "0" 2 = fan option 0 on sizes 04-06	IDFTYPE
DIR DRV IDF SPDS	Direct Drive Fan Speeds	2=2 3=3	2	2 = fan option 0 on sizes 04-06	NUMFSPDS
SHUTDOWN IDF FAIL	Shut Down on IDF Failure	Yes/No	enum	No	FATALFAN
IDF VFD VOLTAGE	IDF VFD Nom. Motor Volts	50 to 100	volts	See VFD Motor Default Configuration Tables. For sizes 04-06 see Table 32. For size 07-26 Vertical units see Table 39. For size 07-26 Horizontal units see Table 40.	MOTVOLT

**APPENDIX A: SystemVu™ Controller Display  
Settings Main Menu Layout (cont)**

Display Text	Expanded Text	Range	Units	Default	Point
<i>INDOOR FAN (cont)</i>	Indoor Fan Configurations Menu				
IDF VFD NOM. FREQ	IDF VFD Nom. Motor Freq	20 to 400	hz	60	MOTRFREQ
IDF VFD NOM. AMPS	IDF VFD Nom. Motor Amps	0.1 to 26.0	amps	See VFD Motor Default Configuration Tables. For sizes 04–06 see Table 32. For size 07–26 Vertical units see Table 39. For size 07–26 Horizontal units see Table 40.	
IDF VFD NOM. RPM	IDF VFD Nom. Motor RPM	100 to 60000	rpm	See VFD Motor Default Configuration Tables. For sizes 04–06 see Table 32. For size 07–26 Vertical units see Table 39. For size 07–26 Horizontal units see Table 40.	MOTNOMSP
IDF VFD MIN REF	IDF VFD Min Reference	0 to 65.0	Hz	0	MINREF
IDF VFD MAX REF	IDF VFD Max Reference	0 to 65.0	Hz	60	MAXREF
VFD ACCEL. TIME	IDF VFD Accel. Time	1 to 1800	sec	10	RAMPUP_T
VFD DECEL. TIME	IDF VFD Decel. Time	1 to 1800	sec	10	RAMPDN_T
IDF VFD AMP LIMIT	IDF VFD Current Limit	0 to 300		100	CURRLMT
IDF VFD TIMEOUT	IDF VFD Comm tome out	1 to 600	sec	30	CNT_TOUT
IDF VFD RESET DUR	IDF VFD Auto Reset time	0 to 600	sec	30	ARSTR_T
VFD RFI FILTER	IDF VFD RFI Filter	On/Off		On	RFIFILTR
<b>ECONOMIZER</b>	Economizer Configurations Menu				
ECON INSTALLED?	Economizer Installed?	Yes/No		No: no FIOP Yes: FIOP	ECONO
ECON MAX POS	Econ Max Damper Position	0 to 100	%	100	DAMPMAX
ECON TRAVEL TIME	Economizer Travel Time	5 to 300	sec	150	ECONOTRV
MINIMUM POSITION CONFIGS	Minimum Position Configurations menu				
MIN POS @ MAX FAN	Econ Min at Max Fanspeed	0 to 100	%	30	MINP_MAX
MIN POS SPEED 1	Min Pos – User Speed 1	0 to 100	%	0	MP_USPD1
MIN POS DAMP 1	Min Pos – User Pos 1	0 to 100	%	0	MP_UPOS1
MIN POS SPEED 2	Min Pos – User Speed 2	0 to 100	%	0	MP_USPD2
MIN POS DAMP 2	Min Pos – User Pos 2	0 to 100	%	0	MP_UPOS2
MIN POS SPEED 3	Min Pos – User Speed 3	0 to 100	%	0	MP_USPD3
MIN POS DAMP 3	Min Pos – User Pos 3	0 to 100	%	0	MP_UPOS3
FREE COOL CONFIGS	Free Cooling Specific Configurations Menu				
LOW COOL SAT SP	Low Free Cool SAT Setpnt	40 to 80	°F	65	LCSASP
HIGH COOL SAT SP	High FreeCool SAT Setpnt	40 to 80	°F	55	HCSASP
FREE COOL MAX OAT	Free Cooling Max OAT	0 to 90	°F	65	MAXFREET
FREE COOL MIN OAT	Free Cooling Min Temp	–30 to 70	°F	0	MINFREET
DIFF DRY BULB CTL	Diff. Dry Bulb Control	Enable/Disable		Disable	DIFFBULB
DIFF DB DEADBAND	Diff. Dry Bulb Deadband	0 to 20	°F	3	OATRATDB
ENTHALPY HI LIMIT	Max Enthalpy OA limit	1.0 to 99.0	Btu/lb	28	FREEMAXE
DIFF ENTHALPY CTL	Diff. Enthalpy Control	Enable/Disable		Disable	DIFFENTH
ENTHALPY DEADBAND	Enthalpy Cross Deadband	0 to 20.0	Btu/lb	2	OAERAEDB
ECONO PID – KP	Economizer PID – kP	0.00 to 99.90		2.5	ECONO_P
ECONO PID – KI	Economizer PID – kI	0.00 to 99.90		0.12	ECONO_I
ECONO PID – KD	Economizer PID – kD	0.00 to 99.90		1	ECONO_D
ECONO PID – RATE	Economizer PID – rate	10 to 180	sec	15	ECONO_DT
UNOCCUPIED FREE COOL	Unoccupied Free Cooling Configs Menu				
WHEN TO UNOCC FC	When to Unocc Free Cool?	0=Disabled, 1=PreOcc, 2=Unocc		1=PreOcc	UFC_CFG
UFC PREOCC TIME	UFC PreOcc Time	1 to 999	min	120	UFCTIME
UFC LOW TEMP	Unocc Free Cool Low Temp	–30 to 70	°F	50	OATLUFC
POWER EXHAUST CONFIGS	Power Exhaust Configurations Menu				
PE1 RELAY CHANNEL	PE1 Relay Channel	0=NONE, 1=MBB RLY11, 2=MBB RLY06		0: no FIOP 2: FIOP	PE1_CHAN
PE1 POS @ MAX SPD	PE Stage 1 at Max speed	0 to 100	%	40	PE1_PMAX
PE OFF DEADBAND	PE Turn Off Dead band	0 to 100	%	5	PE_OFFDB
PE2 RELAY CHANNEL	PE2 Relay Channel	0=NONE, 1=MBB RLY11, 2=MBB RLY06		0=None	PE2_CHAN
PE2 POS @ MAX SPD	PE Stage 2 at max speed	0 to 100	%	75	PE2_PMAX
ECON DISCONNECT	Econ Actuator Mechanical disconnect				
DIAGNOSTIC	diagnostic menu				
MDD–H/C END DLY	T24 Heat/Cool End Delay	0 to 60	min	25	T24CHDLY



**APPENDIX A: SystemVu™ Controller Display  
Settings Main Menu Layout (cont)**

Display Text	Expanded Text	Range	Units	Default	Point
<i>NEW HARDWARE (cont)</i> OACFM SENS CHANNEL	Quick Menu for New Hardware OACFM Assigned Channel	0=None, 1=MBB AI06, 2=MBB AI07, 3=MBB AI08, 4=SIOB Ai10		0=None	OCFMCHAN
FIRE SHUTDOWN SW	Fire Shutdown Switch	0=NORM OPEN, 1=NORM CLSD, 2=NO SWITCH		2: no FIOP 0: FIOP	FIRE_CFG
FILTER SW CHANNEL	Filter Status Sw Channel	0=None, 1=MBB DI12, 2=MBB DI13, 3=MBB DI14, 4=MBB DI02, 5=MBB DI04		0=None	FILTCHAN
REMOTE OCC CHAN	Remote Occupancy Channel	0=None, 1=MBB DI12, 2=MBB DI13, 3=MBB DI14, 4=MBB DI02, 5=MBB DI04		0=None	RMOCCCHAN
REM.SHUTDOWN CHAN	Remote Shutdown Channel	0=None, 1=MBB DI12, 2=MBB DI13, 3=MBB DI14, 4=MBB DI02, 5=MBB DI04		0=None	ROFFCHAN
COFS CHANNEL	COFS Assigned Channel	0=None, 1=MBB DI12, 2=MBB DI13, 3=MBB DI14, 4=MBB DI02, 5=MBB DI04		0=None	COFSCHAN
GEN STATUS CHAN	General Status Channel	0=None, 1=MBB DI12, 2=MBB DI13, 3=MBB DI14, 4=MBB DI02, 5=MBB DI04		0=None	GEN_CHAN
ENTHALPY SW CHAN	Enthalpy Sw Channel	0=None, 1=MBB DI12, 2=MBB DI13, 3=MBB DI14, 4=MBB DI02, 5=MBB DI04		0=None	ENTHCHAN
SIOB1 INSTALLED	SIOB 1 Enabled	Yes/No		No for all except Humidimizer units	SIOB1_EN
NETWORK SETTINGS	Building Network Configurations Menu				
BAS PROTOCOL	BAS Protocol Select	0=NONE, 1=CCN, 2=BACNET	x	0=NONE	BMS_CFG
NETWORK TIMEOUT	Network Input Timeout	0 to 600	min	30	NETINTO
CCN	CCN Network Configuration Menu				
BUS NUMBER	CCN Bus Number	0 to 239		0	CCNBUS
CCN ELEMENT #	CCN Element Number	1 to 239		1	CCNADD
CCN BAUDRATE	CCN Baud Rate	0=9600, 1=19200, 2=38400		2=38400	BAUDENUM
BROADCAST ACK?	CCN Broadcast Ack'er	Yes/No		No	CCNBCACK
BROADCAST SCHEDL?	Global Schedule Broadcast	Yes/No		No	CCN_GSBC
BROADCAST TIME?	CCN Time Broadcast	Yes/No		No	CCNBC
BROADCAST OAT?	Broadcast OAT On Network	Yes/No		No	OATBC
BROADCAST OARH?	Broadcast OARH On Netwrk	Yes/No		No	OARHBC
BROADCAST OAQ?	Broadcast OAQ On Network	Yes/No		No	OAQBC
BROADCAST IAQ?	Broadcast IAQ On Network	Yes/No		No	IAQBC
LOCATION	Device Location	text string		<blank>	DEV_LOC
REFERENCE NUMBER	Reference number	text string		<blank>	REF_NUM
BACNET	BACnet network configuration menu				
MAC ADDRESS	BACnet Device Macaddress	1 to 127		01	BAC_MAC
BACNET BAUDRATE	BACnet BMS baud rate	0=9600, 1=19200, 2=38400, 3=57600, 4=76800, 5=115200		4=76800	BAC_BAUD
AUTO ID SCHEME	ALC Auto Id Scheme	Yes/No		Yes	AUID
BACNET AUTO ID	BACnet ID Auto ID	Yes/No		Yes	BAC_AUID
BACNET ID	BACnet ID Number	0 to 4194302		1610101	BAC_ID
LINKAGE SETTINGS	LINKAGE SETTINGS MENU				

**APPENDIX A: SystemVu™ Controller Display  
Settings Main Menu Layout (cont)**

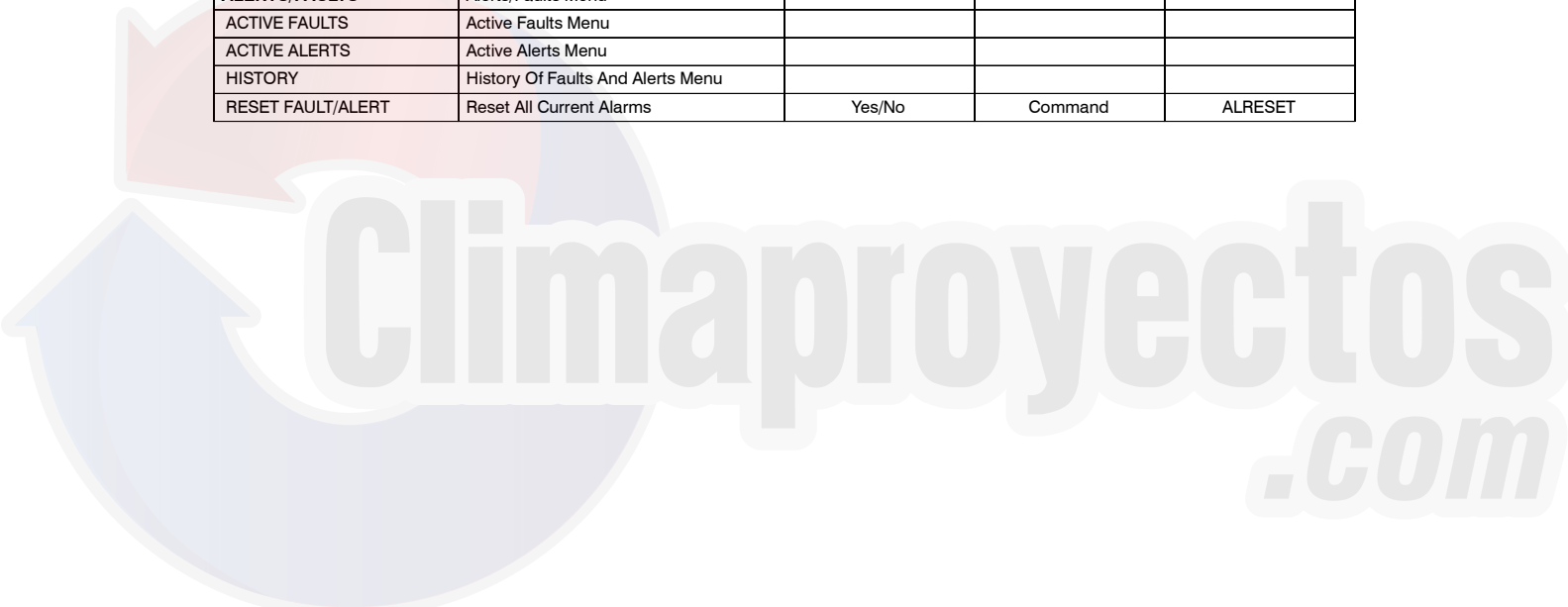
Display Text	Expanded Text	Range	Units	Default	Point
<i>NETWORK SETTINGS (cont)</i>	Building Network Configurations Menu				
DEVICE IAQ	BACnet device for IAQ	0 to 4194303		1610100	DEVIAQ
OBJECT ID IAQ	Object instance for IAQ	0 to 9999		1009	OBJIAQ
COV IAQ	Change of value for IAQ	0 to 60		0	COVIAQ
DEVICE OAQ	BACnet device for OAQ	0 to 4194303		1610100	DEVOAQ
OBJECT ID OAQ	Object instance for OAQ	0 to 9999		285	OBJOAQ
COV OAQ	Change of value for OAQ	0 to 60		0	COVOAQ
DEVICE OARH	BACnet device for OARH	0 to 4194303		1610100	DEVOARH
OBJECT ID OARH	Object instance for OARH	0 to 9999		1022	OBJOARH
COV OARH	Change of value for OARH	0 to 60		0	COVOARH
DEVICE OAT	BACnet device for OAT	0 to 4194303		1610100	DEVOAT
OBJECT ID OAT	Object instance for OAT	0 to 9999		1003	OBJOAT
COV OAT	Change of value for OAT	0 to 60		0	COVOAT
DEVICE RARH	BACnet device for RARH	0 to 4194303		1610100	DEVRRARH
OBJECT ID RARH	Object instance for RARH	0 to 9999		30	OBJRRARH
COV RARH	Change of value for RARH	0 to 60		0	COVRRARH
DEVICE RAT	BACnet device for RAT	0 to 4194303		1610100	DEVRRAT
OBJECT ID RAT	Object instance for RAT	0 to 9999		1010	OBJRRAT
COV RAT	Change of value for RAT	0 to 60		0	COVRRAT
DEVICE SPT	BACnet device for SPT	0 to 4194303		1610100	DEVSPT
OBJECT ID SPT	Object instance for SPT	0 to 9999		2007	OBJSPT
COV SPT	Change of value for SPT	0 to 60		0	COVSPT
LOCAL_SHEDL_EDIT	Allow Local Sched Edit	Yes/No	enum	No	LCL_EDIT
SYSTEM TOUCH	System Touch Menu				
DEVICE INSTANCE	System Touch Device Inst	0 to 4194303		160099	DEVST
POLLING RATE	System Touch Poll Rate	10 to 60		10	POLLST
SPACE TEMP AI	System Touch AI for SPT	0 to 9999		1	AISTSPT
SPACE RH AI	System Touch AI for SPRH	0 to 9999		4	AISTSPRH
ZS SENSOR CFG	ZS Sensor Configuration				
ZS1 ADDRESS	Zone Sensor 1 Address	0 to 255		255	ZSADDR1
ZS2 ADDRESS	Zone Sensor 2 Address	0 to 255		255	ZSADDR2
ZS3 ADDRESS	Zone sensor 3 address	0 to 255		255	ZSADDR3
ZS4 ADDRESS	Zone sensor 4 address	0 to 255		255	ZSADDR4
ZS5 ADDRESS	Zone sensor 5 address	0 to 255		255	ZSADDR5
ZS POLL RATE	Zone sensor poll rate	1 to 100	sec	5	ZSPOLLRT
ZS UNIT	Zone sensor unit	0=degrees F		0=degrees F	ZSUNIT
ZS FRC UNOC ENBL	ZS Force Unoccup enable	No		No	ZSFUNEN
ZS FRC UNOC DELAY	ZS Force unocc wt delay	No		No	ZSFUNWT
ZS TLO CONT ENBL	ZS TLO Cont Enable	No		No	ZSTLOEN
TLO SET DURING OC	ZS TLO set during occ	No		No	ZSTLSOC
ZS UI MODE	Zone sensor UI Mode	1=Dual Offsets		1=Dual Offsets	ZSUIM
NETWORK CHKLIST	NETWORK SETUP CHECKLIST	0=Undone, 1=Perfom, 2=Done		0=Undone	CHK_NET
DISPLAY SETTINGS	User Display Configurations Menu				
METRIC DISPLAY	Metric Display	Yes/No		No	DISPUNIT
LANGUAGE	Display Language Select	0=English		0=English	LANGUAGE
CONTRAST ADJUST	LCD Contrast Adjustment	1 to 10		5	LCD_CONT
PASSWORD ENABLE?	User Password Protection	Enable/Disable		Enable	PASS_EBL
VIEW USER PASSWORD	View User Password Menu				
CHANGE USER PASSWORD	Change User Password Menu				
QUICK SETUP CONFIG	QUICK SETUP CONFIG MENU				
TIME	Clock Hour and Minute	xx:xx	hh.mm	0	TIME
DATE	Current Date	MM/DD/YYYY		0	DATE
STARTUP DELAY	Unit Startup Delay	10 to 600	sec	30	STARTDLY
UNIT CONTROL TYPE	Unit Control Type	0=TSTAT, 1=SPACE SEN, 2=RAT SEN		0=TSTAT	CTRLTYPE
THERMOSTAT TYPE	Thermostat Hardware Type	0=CONV 2C2H, 1=DIGI 2C2H, 2=CONV 3C2H, 3=DIGI 3C2H 4=DIGI 2C2H		2=CONV 3C2H	STATTYPE
DIRTY FILTER TIME	Change Filter Timer	0 to 9999	hours	600	FILTIFE
VENT IDF SPEED	Ventilation Only IDF Spd	0 to 100	%	50 (sizes 04–06) 67 (sizes 07–12) 53 (sizes 14 or 20) 56 (size 17) 52 (size 24) 60 (size 26)	FSPDVENT

**APPENDIX A: SystemVu™ Controller Display  
Settings Main Menu Layout (cont)**

Display Text	Expanded Text	Range	Units	Default	Point
<i>QUICK SETUP CONFIG (cont)</i> HEATING STAGE QTY	Building Network Configurations Menu Number of Heating Stages	0 to 2		2 (all except below): 0 (50 series without FIOF heat), 1 (50 series, sizes 04–06 low or medium heat), 1 (50 series, sizes 07–14 and low heat), 1 (50 series, sizes 07–12 and medium heat)	NUMHSTGS
ECON INSTALLED?	Economizer Installed?	Yes/No		No: no FIOF Yes: FIOF	ECONO
FREE COOL MAX OAT	Free Cooling Max OAT	0 to 90	°F	65	MAXFREET
FIRE SHUTDOWN SW	Fire Shutdown Switch	0=NORM OPEN, 1=NORM CLSD, 2=NO SWITCH		2: no FIOF 0: FIOF	FIRE_CFG
QUICK SET CHKLST	QUICK SETUP CHECKLIST	0=Undone, 1=Perform, 2=Done		0=Undone	CHK_QUIK

**Alerts/Faults Main Menu Layout**

Display Text	Expanded Text	Values	Write Status	Point
<b>ALERTS/FAULTS</b>	Alerts/Faults Menu			
ACTIVE FAULTS	Active Faults Menu			
ACTIVE ALERTS	Active Alerts Menu			
HISTORY	History Of Faults And Alerts Menu			
RESET FAULT/ALERT	Reset All Current Alarms	Yes/No	Command	ALRESET





## APPENDIX A: SystemVu™ Controller Display Service Main Menu Layout

Display Text	Expanded Text	Values	Units	Write Status	Point
<b>SERVICE</b>	Service Menu				
UNIT TESTS	Unit Tests Menu				
TEST MODE	Service Test Mode Enable	On/Off		Command	
SERVICE TEST	Service Test Menu				
INDEPENDENTS	INDEPENDENT TEST MENU				
ECON POS TEST	Economizer Position Test	0 to 100	%	Command	S_DAMPER
BUMP COMP A1 TEST	Compressor Bump A1 Test	On/Off	On/Off	Command	S_BMPA1
BUMP COMP A2 TEST	Compressor Bump A2 Test	On/Off	On/Off	Command	S_BMPA2
LIQ DIVERT A TEST	LiqDivertValveRelayTest	On/Off	On/Off	Command	S_LDVA
REHEAT A TEST	ReheatDischgValveRelayTest	On/Off	On/Off	Command	S_RDVA
REHEAT LV-A TEST	Reheat Liq Valv Rly Test	On/Off	On/Off	Command	S_RLVA
COOLING LV-A TEST	Cooling Liq Valv Test	On/Off	On/Off	Command	S_CLVA
CCH RELAY 1 TEST	Crankcase Heater 1 test	On/Off	On/Off	Command	S_CCHR1
ALARM RELAY TEST	Alarm Output Relay Test	On/Off	On/Off	Command	S_ALARM
PE1 RELAY TEST	Power Exhaust 1 Test	On/Off	On/Off	Command	S_PE_1
PE2 RELAY TEST	Power Exhaust 2 Test	On/Off	On/Off	Command	S_PE_2
FAN TESTS	Indoor and Outdoor Fan tests Menu				
IDF SPEED TEST	Indoor Fan Speed Test	0 to 100	%	Command	S_IDFSPD
ALL ODF SPD TEST	System ODF speed test	0 to 1200	rpm	Command	S_ODFSPD
ODF 1 SPEED TEST	Outdoor Fan 1 speed test	0 to 1200	rpm	Command	S_ODFSP1
ODF 2 SPEED TEST	Outdoor Fan 2 speed test	0 to 1200	rpm	Command	S_ODFSP2
ODF 3 SPEED TEST	Outdoor Fan 3 speed test	0 to 1200	rpm	Command	S_ODFSP3
IDF MANUAL TRANS	IDF Manual Transition	Yes/No		Command	S_IDFTRN
ODF MANUAL TRANS	ODF Manual Transition	Yes/No		Command	S_ODFTRN
COOL TESTS	Cooling Test Menu				
COOL A1 TEST	Cooling W/Comp.A1 Test	On/Off		Command	S_COOLA1
COOL A2 TEST	Cooling W/Comp.A2 Test	On/Off		Command	S_COOLA2
IDF SPEED TEST	Indoor Fan Speed Test	0 to 100	%	Command	S_IDFSPD
ALL ODF SPD TEST	System ODF speed test	0 to 1200	rpm	Command	S_ODFSPD
HUMIDIMIZER TEST	HumidiMizer Level	0=Off, 1=Subcool, 2=Reheat		Command	S_HMZLEV
HEAT TESTS	Heating Test Menu				
HEAT 1 TEST	Heating Stage 1 Test	On/Off		Command	S_HEAT1
HEAT 2 TEST	Heating Stage 2 Test	On/Off		Command	S_HEAT2
IDF SPEED TEST	Indoor Fan Speed Test	0 to 100	%	Command	S_IDFSPD
AUTOMATIC TEST	Automatic Test Menu				
AUTO INDP TEST	AUTO INDEPENDENT TEST	Yes/No		Command	AUTOINDP
AUTO COOL TEST	RUN AUTO COOLING TEST	Yes/No		Command	AUTOCOOL
AUTO HEAT TEST	RUN AUTO HEATING TEST	Yes/No		Command	AUTOHEAT
AUTO SYSTEM TEST	RUN AUTO SYSTEM TEST	Yes/No		Command	AUTOSYS
UNIT INFORMATION	Unit Information Menu				
MODEL #	Equipment Model number	xxxxxxxxxxxxxxx		Command	EQ_MOD
SERIAL #	Equipment Serial number	xxxxxxxxxxx		Command	EQ_SER
ENTER MODEL NUMBER	Edit Equipment Model Number				
VERSIONS	Versions Menu				
SOFTWARE	Application SW Version	CESR131651-xx-xx			FW_CESR
VFD	VFD1 SW Version	FW VERSION-x.xx			VFD1_SW
IO BOARD	SIOB1 SW Version	SIOB1 SW VERSION-x.xx			SIOB1_SW
BOOTLOADER	Bootloader SW Version	CESR131659-xx-xx			BL_CESR
USER MEASURED DATA	User Measured Data Menu				
SUPPLY VOLTAGE L1	Supply Voltage Leg 1	0 to 700.0	volt	Command	L1VOLTS
SUPPLY VOLTAGE L2	Supply Voltage Leg 2	0 to 700.0	volt	Command	L2VOLTS
SUPPLY VOLTAGE L3	Supply Voltage Leg 3	0 to 700.0	volt	Command	L3VOLTS
COMP A1 AMPS L1	Comp A1 Amps Leg 1	0 to 100.0	amps	Command	CA1L1_A
COMP A1 AMPS L2	Comp A1 Amps Leg 2	0 to 100.0	amps	Command	CA1L2_A
COMP A1 AMPS L3	Comp A1 Amps Leg 3	0 to 100.0	amps	Command	CA1L3_A
COMP A2 AMPS L1	Comp A2 Amps Leg 1	0 to 100.0	amps	Command	CA2L1_A
COMP A2 AMPS L2	Comp A2 Amps Leg 2	0 to 100.0	amps	Command	CA2L2_A
COMP A2 AMPS L3	Comp A2 Amps Leg 3	0 to 100.0	amps	Command	CA2L3_A
E.HEAT AMPS L1	Elec. Heat Amps Leg 1	0 to 100.0	amps	Command	EHTL1_A
E.HEAT AMPS L2	Elec. Heat Amps Leg 2	0 to 100.0	amps	Command	EHTL2_A
E.HEAT AMPS L3	Elec. Heat Amps Leg 3	0 to 100.0	amps	Command	EHTL3_A
GAS SUPPLY TYPE	Gas Supply Type	0=NATURAL, 1=LP		Command	GASTYPE
GAS INLET PRESS	Gas Inlet Pressure	0 to 20.0	in.wc	Command	GASPRESS
STAGE 1 GAS PRESS	Stage 1 Gas Pressure	0 to 20.0	in.wc	Command	HT1PRESS
STAGE 2 GAS PRESS	Stage 2 Gas Pressure	0 to 20.0	in.wc	Command	HT2PRESS
CONTINUE?	Start Diag Report	Yes/No		Command	GO_DIAG

**APPENDIX A: SystemVu™ Controller Display  
Service Main Menu Layout (cont)**

Display Text	Expanded Text	Values	Units	Write Status	Point
RUN HOURS & CYCLES	Run Hours & Cycles Menu				
RUN HOURS DATA MENU	Run hours menu				
COMP A1 RUN HOURS	Compressor A1 Run Hours	xxxxxx.x	hours		HR_A1
COMP A2 RUN HOURS	Compressor A2 Run Hours	xxxxxx.x	hours		HR_A2
ALM RELAY HOURS	Alarm Relay Run Hours	xxxxxx.x	hours		HR_ALM
CCH RELAY HOURS	CCH1 Relay Run Hours	xxxxxx.x	hours		HR_CCHR1
ECON RUN HOURS	Econ Damper Run Hours	xxxxxx.x	hours		HR_DAMP
FULL LOAD HOURS	Unit Full Load Run Hours	xxxxxx.x	hours		HR_FLOAD
FREE COOL HOURS	Free Cooling Run Hours	xxxxxx.x	hours		HR_FREEC
HEAT 1 RUN HOURS	Heat Stage 1 Run Hours	xxxxxx.x	hours		HR_HTR_1
HEAT 2 RUN HOURS	Heat Stage 2 Run Hours	xxxxxx.x	hours		HR_HTR_2
IDF RUN HOURS	Indoor Fan Run Hours	xxxxxx.x	hours		HR_IDF
LDV_A RELAY HOURS	LDV_A Run Hours	xxxxxx.x	hours		HR_LDV_A
MAX IDF RUN HOURS	Max Fan Speed Run Hours	xxxxxx.x	hours		HR_MAXF
ODF1 OUTPUT HOURS	ODF Spd Sig 1 Run Hours	xxxxxx.x	hours		HR_ODF1
ODF2 OUTPUT HOURS	ODF Spd Sig 2 Run Hours	xxxxxx.x	hours		HR_ODF2
ODF3 OUTPUT HOURS	ODF Spd Sig 3 Run Hours	xxxxxx.x	hours		HR_ODF3
PE1 RELAY HOURS	Power Exhaust1 Run Hours	xxxxxx.x	hours		HR_PE_1
PE2 RELAY HOURS	Power Exhaust2 Run Hours	xxxxxx.x	hours		HR_PE_2
RDV_A RELAY HOURS	RDV_A Run Hours	xxxxxx.x	hours		HR_RDV_A
SUBCOOLING HOURS	Reheat level 1 Run Hrs	xxxxxx.x	hours		HR_RQHL1
HOT GAS RH HOURS	Reheat level 2 Run Hrs	xxxxxx.x	hours		HR_RQHL2
TEST MODE HOURS	Service Test Run Hours	xxxxxx.x	hours		HR_STEST
VENT IDF HOURS	Vent IDF Run Hours	xxxxxx.x	hours		HR_VENTF
START COUNT DATA MENU	Start Counts menu				
COMP A1 STARTS	Compressor A1 Starts	xxxxxx			ST_A1
COMP A2 STARTS	Compressor A2 Starts	xxxxxx			ST_A2
ALM RELAY STARTS	Alarm Relay Starts	xxxxxx			ST_ALM
ALM RESET COUNTS	Alarm Reset Counts	xxxxxx			ST_ALRST
CCH RELAY STARTS	CCH1 Relay Starts	xxxxxx			ST_CCHR1
DAMPER STARTS	Economizer Damper Starts	xxxxxx			ST_DAMP
FULL LOAD STARTS	Unit Full Load Starts	xxxxxx			ST_FLOAD
FREE COOL STARTS	Free Cooling Starts	xxxxxx			ST_FREEC
HEAT 1 STARTS	Heat Stage 1 Starts	xxxxxx			ST_HTR_1
HEAT 2 STARTS	Heat Stage 2 Starts	xxxxxx			ST_HTR_2
IDF STARTS	Indoor Fan Starts	xxxxxx			ST_IDF
LDV A STARTS	LDV_A Starts	xxxxxx			ST_LDV_A
MAX IDF SPD START	Max IDF Speed Starts	xxxxxx			ST_MAXF
ODF OUT 1 STARTS	ODF Spd Signal 1 Starts	xxxxxx			ST_ODF1
ODF OUT 2 STARTS	ODF Spd Signal 2 Starts	xxxxxx			ST_ODF2
ODF OUT 3 STARTS	ODF Spd Signal 3 Starts	xxxxxx			ST_ODF3
RDV A STARTS	RDV_A Starts	xxxxxx			ST_RDV_A
SUBCOOL STARTS	Reheat level 1 Starts	xxxxxx			ST_RQHL1
HOT GAS RH STARTS	Reheat level 2 Starts	xxxxxx			ST_RQHL2
PE1 RELAY STARTS	Power Exhaust 1 Starts	xxxxxx			ST_PE_1
PE2 RELAY STARTS	Power Exhaust 2 Starts	xxxxxx			ST_PE_2
POR COUNT	Power Cycle Counts	xxxxxx			ST_POR
TEST MODE STARTS	Service Test Starts	xxxxxx			ST_STEST
VENT FAN STARTS	Ventilation Fan Starts	xxxxxx			ST_VENTF
RESET COUNTS MENU	Reset Counts menu				
COMP A1 RESET QTY	Comp A1 Resets Count	xxxxxx			RS_A1
COMP A2 RESET QTY	Comp A2 Resets Count	xxxxxx			RS_A2
ALM RLY RESET QTY	Alarm Relay Resets Count	xxxxxx			RS_ALM
ALM RESET RESETS	Alarm Reset Resets Count	xxxxxx			RS_ALRST
CCH RELAY RESETS	CCH1 Relay Resets Count	xxxxxx			RS_CCHR1
DAMPER RESET QTY	Econ Damper Resets Count	xxxxxx			RS_DAMP
FULL LOAD RESETS	Full Load Resets Count	xxxxxx			RS_FLOAD
FREE COOL RESETS	Free Cooling Reset Count	xxxxxx			RS_FREEC
HEAT 1 RESET QTY	Heat Stage 1 Reset Count	xxxxxx			RS_HTR_1
HEAT 2 RESET QTY	Heat Stage 2 Reset Count	xxxxxx			RS_HTR_2
IDF RESET QTY	Indoor Fan Reset Count	xxxxxx			RS_IDF
LDV A RESET QTY		xxxxxx			RS_LDV_A
MAX IDF RESET QTY	Max IDF Spd Resets Count	xxxxxx			RS_MAXF
ODF1 OUT RESETS	ODF Signal1 Resets Count	xxxxxx			RS_ODF1
ODF2 OUT RESETS	ODF Signal2 Resets Count	xxxxxx			RS_ODF2

**APPENDIX A: SystemVu™ Controller Display  
Service Main Menu Layout (cont)**

Display Text	Expanded Text	Values	Units	Write Status	Point
<i>RESET COUNTS MENU (cont)</i>	Reset Counts menu				
ODF3 OUT RESETS	ODF Signal3 Resets Count	xxxxxx			RS_ODF3
PE1 RESET QTY	PExhaust 1 Resets Count	xxxxxx			RS_PE_1
PE2 RESET QTY	PExhaust 2 Resets Count	xxxxxx			RS_PE_2
POR RESET QTY	Power Cycle Resets Count	xxxxxx			RS_POR
RDV A RESET QTY	rdv_a Resets Count	xxxxxx			RS_RDV_A
SUBCOOL RESET QTY	Reheat lev 1 Rst Count	xxxxxx			RS_RQHL1
HGRH RESET QTY	Reheat lev 2 Rse Count	xxxxxx			RS_RQHL2
TEST MODE RESETS	Service Test Reset Count	xxxxxx			RS_STEST
VENT IDF RESETS	Vent IDF Resets Count	xxxxxx			RS_VENTF
<b>POWER RESET HISTORY</b>	Power On Reset History Menu				
POWRES00	Power Reset Event 00	mm/dd/yy, hh:mm:ss			POWRES00
POWRES01	Power Reset Event 01	mm/dd/yy, hh:mm:ss			POWRES01
POWRES02	Power Reset Event 02	mm/dd/yy, hh:mm:ss			POWRES02
POWRES03	Power Reset Event 03	mm/dd/yy, hh:mm:ss			POWRES03
POWRES04	Power Reset Event 04	mm/dd/yy, hh:mm:ss			POWRES04
POWRES05	Power Reset Event 05	mm/dd/yy, hh:mm:ss			POWRES05
POWRES06	Power Reset Event 06	mm/dd/yy, hh:mm:ss			POWRES06
POWRES07	Power Reset Event 07	mm/dd/yy, hh:mm:ss			POWRES07
POWRES08	Power Reset Event 08	mm/dd/yy, hh:mm:ss			POWRES08
POWRES09	Power Reset Event 09	mm/dd/yy, hh:mm:ss			POWRES09
<b>ALARM RESET HISTORY</b>	Alarm Reset History Menu				
ALMRES00	Alarm Reset Event 00	mm/dd/yy, hh:mm:ss			ALMRES00
ALMRES01	Alarm Reset Event 01	mm/dd/yy, hh:mm:ss			ALMRES01
ALMRES02	Alarm Reset Event 02	mm/dd/yy, hh:mm:ss			ALMRES02
ALMRES03	Alarm Reset Event 03	mm/dd/yy, hh:mm:ss			ALMRES03
ALMRES04	Alarm Reset Event 04	mm/dd/yy, hh:mm:ss			ALMRES04
ALMRES05	Alarm Reset Event 05	mm/dd/yy, hh:mm:ss			ALMRES05
ALMRES06	Alarm Reset Event 06	mm/dd/yy, hh:mm:ss			ALMRES06
ALMRES07	Alarm Reset Event 07	mm/dd/yy, hh:mm:ss			ALMRES07
ALMRES08	Alarm Reset Event 08	mm/dd/yy, hh:mm:ss			ALMRES08
ALMRES09	Alarm Reset Event 09	mm/dd/yy, hh:mm:ss			ALMRES09
ALMRES10	Alarm Reset Event 10	mm/dd/yy, hh:mm:ss			ALMRES10
ALMRES11	Alarm Reset Event 11	mm/dd/yy, hh:mm:ss			ALMRES11
ALMRES12	Alarm Reset Event 12	mm/dd/yy, hh:mm:ss			ALMRES12
ALMRES13	Alarm Reset Event 13	mm/dd/yy, hh:mm:ss			ALMRES13
ALMRES14	Alarm Reset Event 14	mm/dd/yy, hh:mm:ss			ALMRES14
ALMRES15	Alarm Reset Event 15	mm/dd/yy, hh:mm:ss			ALMRES15
ALMRES16	Alarm Reset Event 16	mm/dd/yy, hh:mm:ss			ALMRES16
ALMRES17	Alarm Reset Event 17	mm/dd/yy, hh:mm:ss			ALMRES17
ALMRES18	Alarm Reset Event 18	mm/dd/yy, hh:mm:ss			ALMRES18
ALMRES19	Alarm Reset Event 19	mm/dd/yy, hh:mm:ss			ALMRES19

**APPENDIX A: SystemVu™ Controller Display  
Service Main Menu Layout (cont)**

Display Text	Expanded Text	Values	Units	Write Status	Point
HARDWARE	Hardware Information Menu				
HARDWARE INPUTS	Hardware inputs menu				
OAT SENSOR VALUE	Outdoor Air Temp Sensor	xxx.x	° F		OAT_LOC
RAT SENSOR VALUE	Return Air Temp Sensor	xxx.x	° F		RAT_LOC
SPT SENSOR VALUE	Space Temperature Sensor	xxx.x	° F		SPT_LOC
SPTO SENSOR VALUE	Local Space Temp Offset	xxx.x	F delta		SPTO_LOC
SPRH SENSOR VALUE	SPRH Sensor Value	0 to 100	° F		SPRH_LOC
OARH SENSOR VALUE	OARH Sensor Value	0 to 100	%		OARH_LOC
RARH SENSOR VALUE	RARH Sensor Value	0 to 100	%		RARH_LOC
IAQ SENSOR VALUE	IAQ Sensor value	xxxx	ppm		IAQ_LOC
OAQ SENSOR VALUE	OAQ Sensor Value	xxxx	ppm	ppm	OAQ_LOC
OCFM_LOC	OACFM Sensor value	xxx.x	CFM		OCFM_LOC
ASSIGNED INPUTS/OUTPUTS	Assigned Input/Output Channels				
AI06 FUNCTION	Assigned AI06 Function	0=None, 1=IAQ, 2=OARH, 3=RARH, 4=OAQ, 5=SPRH, 6=OACFM			MBBAI06F
AI07 FUNCTION	Assigned AI07 Function	0=None, 1=IAQ, 2=OARH, 3=RARH, 4=OAQ, 5=SPRH, 6=OACFM			MBBAI07F
AI08 FUNCTION	Assigned AI08 Function	0=None, 1=IAQ, 2=OARH, 3=RARH, 4=OAQ, 5=SPRH, 6=OACFM			MBBAI08F
IO AI10 FUNCTION	Assigned S– AI01 Function	0=None, 1=IAQ, 2=OARH, 3=RARH, 4=OAQ, 5=SPRH, 6=OACFM			SIOAI01F
DI02 FUNCTION	Assigned DI02 Function	0=None, 1=COFS, 2=REMOCC, 3=REMOFF, 4=FILTER, 5=ENTHALPY, 6=GEN STAT			MBBDI02F
DI04 FUNCTION	Assigned DI04 Function	0=None, 1=COFS, 2=REMOCC, 3=REMOFF, 4=FILTER, 5=ENTHALPY, 6=GEN STAT			MBBDI04F
DI12 FUNCTION	Assigned DI12 Function	0=None, 1=COFS, 2=REMOCC, 3=REMOFF, 4=FILTER, 5=ENTHALPY, 6=GEN STAT			MBBDI12F
DI13 FUNCTION	Assigned DI13 Function	0=None, 1=COFS, 2=REMOCC, 3=REMOFF, 4=FILTER, 5=ENTHALPY, 6=GEN STAT			MBBDI13F
DI14 FUNCTION	Assigned DI14 Function	0=None, 1=COFS, 2=REMOCC, 3=REMOFF, 4=FILTER, 5=ENTHALPY, 6=GEN STAT			MBBDI14F
IO DI01 FUNCTION	Assigned S– DI01 Function	0=None, 1=COFS, 2=REMOCC, 3=REMOFF, 4=FILTER, 5=ENTHALPY, 6=GEN STAT			SIODI01F

**APPENDIX A: SystemVu™ Controller Display  
Service Main Menu Layout (cont)**

Display Text	Expanded Text	Values	Units	Write Status	Point
<i>HARDWARE INPUTS (cont)</i> RELAY 06 FUNCTION	Hardware inputs menu Assigned Rly 06 Function	0=None, 1=ALM Relay, 2=PE1, 3=PE2			MBBRY06F
RELAY 11 FUNCTION	Assigned Rly 11 Function	0=None, 1=ALM Relay, 2=PE1, 3=PE2			MBBRY11F
MBB PART #	MBB Part Number	CEPL131117-xx-R			BD_CEPL
MBB PP	MBB Program Part Number	CEPP130644-xx-xx-xx-R			BD_CEP
MBB SERIAL #	Base Board serial number	xxxxNxxxxx			BD_SER
<b>CALIBRATION</b>	Calibration Menu				
OAT TRIM OFFSET	OAT Sensor Trim Offset	-10.0 to 10.0	° F	Configurable	OAT_TRIM
RAT TRIM OFFSET	RAT Sensor Trim Offset	-30.0 to 30.0	° F	Configurable	RAT_TRIM
FST TRIM OFFSET	FST Sensor Trim Offset	-10.0 to 10.0	° F	Configurable	FST_TRIM
SPT TRIM OFFSET	SPT Sensor Trim Offset	-30.0 to 30.0	° F	Configurable	SPT_TRIM
SLIDER SEN. TRIM	SPTO Sensor Offset Trim	-1.0 to 1.0	° F	Configurable	SPTOTRIM
SPRH TRIM OFFSET	SPRH Sensor Offset Trim	-15 to 15	%	Configurable	SPRHTRIM
IAQ TRIM OFFSET	IAQ sensor trim offset	-200 to 200	ppm	Configurable	IAQ_TRIM
OAQ TRIM OFFSET	OAQ Sensor Trim Offset	-200 to 200	ppm	Configurable	OAQ_TRIM
OARH TRIM OFFSET	OARH Sensor Trim Offset	-15 to 15	%	Configurable	OARHTRIM
RARH TRIM OFFSET	RARH Sensor Trim Offset	-15 to 15	%	Configurable	RARHTRIM
CIR.A SSP TRIM	Cir.A SSP Sensor Trim	-50 to 50	psig	Configurable	SSPATRIM
CIR.A SDP TRIM	Cir.A SDP Sensor Trim	-50 to 50	psig	Configurable	SDPATRIM
ECO FEEDBACK TRIM	Econ Fdback Trim Offset	-15 to 15	%	Configurable	EC1DTRIM
OACFM TRIM OFFSET	OACFM sensor trim offset	-10 to 10	CFM	Configurable	OCFMTRIM
<b>COMMISSION REPORTS</b>	Commission Report Menu				
SYSTEM STARTUP CHECKLIST	SYSTEM STARTUP CHECKLIST MENU				
QUICK SET CHKLIST	QUICK SETUP CHECKLIST	0=Undone, 1=Perform, 2=Done		Configurable	CHK_QUIK
NETWORK CHKLIST	NETWORK SETUP CHECKLIST	0=Undone, 1=Perform, 2=Done		Configurable	CHK_NET
SYSTEM AUTOTEST	CheckList Auto test	0=Undone, 1=Perform, 2=Done		Configurable	CHK_ATST
<b>ADVANCED SERVICE</b>	Advanced Service Restricted Access Menu				
RESTORE DEFAULTS?	Restore Factory Defaults	Yes/No		Command	RESFDFLT
CLEAR COMPONENT DATA	RESET COMPONENT DATA MENU				
COMP A1 DATA	Reset Compressor A1 Data	Yes/No		Command	CR_A1
COMP A2 DATA	Reset Compressor A2 Data	Yes/No		Command	CR_A2
ALARM RELAY DATA	Reset Alarm Relay Data	Yes/No		Command	CR_ALM
ALARM RESET DATA	Reset Alarm Resets Data	Yes/No		Command	CR_ALRST
CCH RELAY DATA	Reset CCH1 Relay Data	Yes/No		Command	CR_CCHR1
ECON DAMPER DATA	Reset Econ Damper Data	Yes/No		Command	CR_DAMP
FULL LOAD DATA	Reset Full Load Data	Yes/No		Command	CR_FLOAD
FREE COOL DATA	Reset Free Cooling Data	Yes/No		Command	CR_FREEC
HEAT 1 DATA	Reset Heat Stage 1 Data	Yes/No		Command	CR_HTR_1
HEAT 2 DATA	Reset Heat Stage 2 Data	Yes/No		Command	CR_HTR_2
IDF RUN DATA	Reset Indoor Fan Data	Yes/No		Command	CR_IDF
IDF MAX SPD DATA	Reset Max Fan Speed Data	Yes/No		Command	CR_MAXF
ODF1 OUTPUT DATA	Reset ODF Spd Sig 1 Data	Yes/No		Command	CR_ODF1
ODF2 OUTPUT DATA	Reset ODF Spd Sig 2 Data	Yes/No		Command	CR_ODF2
ODF3 OUTPUT DATA	Reset ODF Spd Sig 3 Data	Yes/No		Command	CR_ODF3
PE1 RELAY DATA	Reset Pwr Exhaust 1 Data	Yes/No		Command	CR_PE_1
PE2 RELAY DATA	Reset Pwr Exhaust 2 Data	Yes/No		Command	CR_PE_2
POWER RESET DATA	Reset Power Resets Data	Yes/No		Command	CR_POR
TEST MODE DATA	Reset Service Test Data	Yes/No		Command	CR_STEST
VENT IDF DATA	Reset Vent IDF Data	Yes/No		Command	CR_VENTF
<b>INPUTS</b>	Inputs Menu				
<b>TEMPERATURES</b>	Temperatures Menu				
SUPPLY AIR TEMP	Supply Air Temperature	xxx..x	° F		SAT
OUTDOOR AIR TEMP	Outdoor Air Temperature	xxx.x	° F	Forcible	OAT
RETURN AIR TEMP	Return Air Temperature	xxx.x	° F	Forcible	RAT
SPACE TEMPERATURE	Space Temperature	xxx.x	° F	Forcible	SPACE_T
SLIDER OFFSET VAL	Space Temperature Offset	xx.x	° F	Forcible	SPTO
CIR.A SUC TEMP	Cir.A Sat.Suction Temp	xxx.x	° F		SST_A

## APPENDIX A: SystemVu™ Controller Display Inputs Main Menu Layout

Display Text	Expanded Text	Values	Units	Write Status	Point
<i>TEMPERATURES (cont)</i> CIR.A DIS. TEMP FAN SUPPLY TEMP	Temperatures Menu Cir.A Sat.Discharge Temp Fan Supply Air Temp	xxx.x xxx.x	° F ° F		SDT_A FST
PRESSURES CIR.A SUC. PRESS CIR.A DIS. PRESS CIR.A PRESS RATIO BAROMETRIC PRESS	Pressures Menu Cir.A Suction Pressure Cir.A Discharge Pressure Circuit A Pressure Ratio Barometric Pressure	xxx.x xxx.x xx.xx xx.xx	psig psig in.Hg	Forcible	SSP_A SDP_A CIRA_PR BARP
THERMOSTAT TSTAT G INPUT TSTAT Y1 INPUT TSTAT Y2 INPUT TSTAT Y3 INPUT TSTAT W1 INPUT TSTAT W2 INPUT	Thermostat Inputs menu Thermostat G Input Thermostat Y1 Input Thermostat Y2 Input Thermostat Y3 Input Thermostat W1 Input Thermostat W2 Input	On/Off On/Off On/Off On/Off On/Off On/Off		Forcible Forcible Forcible Forcible Forcible Forcible	G Y1 Y2 Y3 W1 W2
SWITCH INPUTS IGC FAN REQUEST CIR.A HPS HUMIDISTAT FIRE SHUTDOWN COFS FILTER STATUS SW REMOTE OCC SWITCH REMOTE SHUTDOWN GENERAL STATUS SW ENTHALPY SWITCH	Switch Inputs Menu IGC Fan On Request (IFO) Cir.A High Pressure Sw Humidistat I/P Fire Shutdown Switch COFS Switch State Filter Status Switch Remote Occupancy Switch Remote Shutdown Switch General Status Switch Enthalpy Switch	On/Off Open/Close On/Off Alarm/Normal High/Low Dirty/Clean On/Off On/Off Alarm/Normal High/Low		Forcible Forcible Forcible Forcible Forcible Forcible	IGC_IFO CIRA_HPS HUMDSTAT FIREDOWN COFS FILTSTAT REMOCC REMSHUT GENSTAT ENTH_SW
ANALOG INPUTS ECON ACT POSITION SPRH LEVEL OARH LEVEL RARH LEVEL IAQ LEVEL OAQ LEVEL OUTDOOR AIR CFM	ANALOG Inputs Menu Econo Actual Position Space RH OA Relative Humidity RA Relative Humidity Indoor Air Quality Level OA Quality Level Outdoor Air in CFM	0 to 100 0 to 100 0 to 100 0 to 100 xxxx xxxx xxx.x	% % % % ppm ppm cfm	Forcible Forcible Forcible Forcible Forcible Forcible	DAMPPOS SPRH OARH RARH IAQ OAQ OACFM
GENERAL INPUTS FILTER TIME LEFT RESET FILTER TIME OUTDOOR ENTHALPY RETURN ENTHALPY DIFF AIR QUALITY INDOOR FAN VFD DATA IDF VFD RUN HOURS IDF VFD KW HOURS VFD REF SPEED VFD STATUS WORD IDF VFD FEEDBACK VFD OUTPUT KW VFD OUTPUT HP VFD OUTPUT VOLTS VFD OUTPUT FREQ VFD OUTPUT AMPS IDF VFD DC VOLTS IDF VFD HSNK TEMP IDF VFD ALM WORD	General Inputs Menu Filter hour remaining Reset Filter Timer Outdoor Air Enthalpy Return Air Enthalpy Differential Air Quality Indoor Fan VFD Data IDF VFD Motor Run Hours IDF VFD Cumulative kWh IDF VFD Reference Speed IDF VFD Status Word IDF VFD Actual Speed % IDF VFD Output Power kW IDF VFD Output Power hp IDF VFD Output Voltage IDF VFD Output Freq. IDF VFD Output Amps IDF VFD DC Bus Voltage IDF VFD Heatsink Temp IDF VFD Alarm Word	xxxx Yes/No xxx.x xxx.x xxxx xxxxxxx xxxxx 0 to 1000 0 to 1000 xxxxx xxxxx.x xxx.xx xxx xxx.x xxxxxxx	hours Btu/lb Btu/lb PPM hrs kWh % % kW HP volts Hz amps volts ° F	Command Forcible Forcible	FILTLEFT RESETFLT OA_ENTH RA_ENTH AQ_DIFF VFDMHOUR KWHCNR REFSPEED VFD1STSW MAV OUTPWRKW OUTPWRHP OUTMVOLT OUTMFREQ OUTMCUR DCLNVOLT HTSINKT ALMERRC

**APPENDIX A: SystemVu™ Controller Display  
Inputs Main Menu Layout (cont)**

Display Text	Expanded Text	Values	Units	Write Status	Point
GENERAL INPUTS (cont) VFD FAULT DETAIL	General Inputs Menu IDF VFD Fault Detail	0=NONE, 1=PWR CARD, 2=EARTH FLT, 3=CTRL WORD, 4=OVER CURR, 5=OVER TEMP, 6=OVERLOAD, 7=UNDERVOLT, 8=OVER VOLT, 9=SHORT CIR, 10=PHASELOSS, 11=U LOSS, 12=V LOSS, 13=W LOSS, 14=CTRL VOLT, 15=VDD LOW, 16=MULTIPLE, 17=UNEXPECT			SVFDFLT
VFD WARN DETAIL	IDF VFD Warning Detail	0=NONE, 1=VOLTAGE, 2=CURRENT, 3=THERMAL, 4=MULTIPLE, 5=UNEXPECT			SVFDWAR
NETWORK BMS OCC REQUEST	Network Menu BMS Occupancy Request	0=UNOCC, 1=OCCUPIED, 2=DISABLED		Forcible	BMS_OCC
LINKAGE OCC REQ	Linkage Occupied Request	0=Unocc, 1=Occupied, 2=Disabled			LNK_OCC
OAT NETWORK VALUE	Network OAT Value	xxx.x	° F		OAT_NET
RAT NETWORK VALUE	Network Return Air Temp	xxx.x	° F		RAT_NET
SPT NETWORK VAL.	Network Space Temp Value	xxx.x	° F		SPT_NET
OARH NETWORK VAL.	Network OARH Value	0 to 100	%		OARH_NET
RARH NETWORK VAL.	Network RARH Value	0 to 100	%		RARH_NET
IAQ NETWORK VALUE	Network IAQ Value	xxxx	ppm		IAQ_NET
OAQ NETWORK VALUE	Network OAQ Value	xxxx	ppm		OAQ_NET
OACFM NETWORK VAL	Network OACFM Value	xxxx	cfm		OACFM_NET
ZS SENSOR INFO	ZS Sensor Information				
ZS SPACE TEMP	Zone Sensor Temp Out	-40 to 245	° F		ZS2T
ZS SPACE RH	Zone Sensor Humidity Out	0 to 100	%		ZSSPRH
ZS SPOFFSET	ZS Setpoint Offset Output	-10 to 10	° F delta		ZSSPTO
ZS OVER TIME LEFT	ZS Override time remain	0 to 600	min		ZSOTR
ZS TEMPERATURE	ZS Space Temperature				
ZS1 TEMPERATRUE	Zone Sensor 1 Temp	-40 to 245	° F		ZS1ZT
ZS2 TEMPERATRUE	ZS2 Temperature	-40 to 245	° F		ZS2ZT
ZS3 TEMPERATRUE	ZS3 Temperature	-40 to 245	° F		ZS3ZT
ZS4 TEMPERATRUE	ZS4 Temperature	-40 to 245	° F		ZS4ZT
ZS5 TEMPERATRUE	ZS5 Temperature	-40 to 245	° F		ZS5ZT
ZS HUMIDITY	ZS Space Humidity				
ZS1 HUMIDITY	ZS1 Humidity	0 to 100	%		ZS1ZHUM
ZS2 HUMIDITY	ZS2 Humidity	0 to 100	%		ZS2ZHUM
ZS3 HUMIDITY	ZS3 Humidity	0 to 100	%		ZS3ZHUM
ZS4 HUMIDITY	ZS4 Humidity	0 to 100	%		ZS4ZHUM
ZS5 HUMIDITY	ZS5 Humidity	0 to 100	%		ZS5ZHUM
ZS CSP OFFSET	ZS Cool Set Point Offset				
ZS1 CSP OFFSET	ZS1 cool setpoint offset	-10 to 10	° F delta		ZS1CSOFF
ZS2 CSP OFFSET	ZS2 cool setpoint offset	-10 to 10	° F delta		ZS2CSOFF
ZS3 CSP OFFSET	ZS3 cool setpoint offset	-10 to 10	° F delta		ZS3CSOFF
ZS4 CSP OFFSET	ZS4 cool setpoint offset	-10 to 10	° F delta		ZS4CSOFF
ZS5 CSP OFFSET	ZS5 cool setpoint offset	-10 to 10	° F delta		ZS5CSOFF
ZS HSP OFFSET	ZS Heat Set Point Offset				
ZS1 HSP OFFSET	ZS1 Heat Setpoint Offset	-10 to 10	° F delta		ZS1HSOFF
ZS2 HSP OFFSET	ZS2 Heat Setpoint Offset	-10 to 10	° F delta		ZS2HSOFF
ZS3 HSP OFFSET	ZS3 Heat Setpoint Offset	-10 to 10	° F delta		ZS3HSOFF
ZS4 HSP OFFSET	ZS4 Heat Setpoint Offset	-10 to 10	° F delta		ZS4HSOFF
ZS5 HSP OFFSET	ZS5 Heat Setpoint Offset	-10 to 10	° F delta		ZS5HSOFF
ZS OCC TIME OVER	ZS Occ Timed Override				
ZS1 OCC TIME OVER	ZS1 Override time remaining	0 to 600	min		ZS1OTR
ZS2 OCC TIME OVER	ZS2 Override time remaining	0 to 600	min		ZS2OTR
ZS3 OCC TIME OVER	ZS3 Override time remaining	0 to 600	min		ZS3OTR
ZS4 OCC TIME OVER	ZS4 Override time remaining	0 to 600	min		ZS4OTR
ZS5 OCC TIME OVER	ZS5 Override time remaining	0 to 600	min		ZS5OTR

## APPENDIX A: SystemVu™ Controller Display

### Outputs Main Menu Layout

Display Text	Expanded Text	Values	Units	Write Status	Point
<b>OUTPUTS</b>	Outputs Menu				
GENERAL OUTPUTS	General Outputs Menu				
IDF SPEED OUTPUT	Commanded IDF Speed	0 to 100	%		FANSPEED
ECON CMD POSITION	Econo Commanded Position	0 to 100	%	Forcible	DAMPCMD
RHT DISCH VALVE A	Reheat Dischg Valve CirA	Enable/Disable			RDV_A
COOLING LV A	Cooling Liq Valve CirA	Enable/Disable			CLV_A
CCH RELAY	CCH Relay 1 State	On/Off			CCHR1
PE1 RELAY	Power Exhaust 1 Relay	On/Off		Forcible	PE1
PE2 RELAY	Power Exhaust 2 Relay	On/Off		Forcible	PE2
ALARM RELAY	Alarm Output Relay State	On/Off		Forcible	ALMOUT
DD IDF HI SPD RLY	DD IDF high speed relay	On/Off			FSPDHRLY
DD IDF MD SPD RLY	DD IDF med. Speed relay	On/Off			FSPDMRLY
DD IDF LO SPD RLY	DD IDF low speed relay	On/Off			FSPDLRLY
COOLING OUTPUTS	Cooling Outputs Menu				
COMPRESSOR A1	Circuit A Compressor 1	On/Off			COMP_A1
COMPRESSOR A2	Circuit A Compressor 2	On/Off			COMP_A2
COMMANDED ODF SPD	Commanded ODF Speed	xxxx	rpm		ODFSPD
ODF SPEED OUT 1	ODF Speed Signal Output1	xxxx	rpm		ODF1SPD
ODF SPEED OUT 2	ODF Speed Signal Output2	xxxx	rpm		ODF2SPD
ODF SPEED OUT 3	ODF Speed Signal Output3	xxxx	rpm		ODF3SPD
HEATING OUTPUTS	Heating Outputs Menu				
HEAT 1 RELAY	Heat Stage 1 Relay	On/Off			HEAT_1
HEAT 2 RELAY	Heat Stage 2 Relay	On/Off			HEAT_2

### USB Main Menu Layout

Display Text	Expanded Text	Values	Units	Write Status	Point
<b>USB</b>	USB Menu				
DATA ACQUISITION	Data Acquisition Menu				
TREND STATUS	USB TREND STATUS	0=IDLE, 1=TRENDING, 2=NO POINTS, 3=USB FULL			TRNDSTAT
TREND DURATION	USB TREND DURATION	0=1 MINUTE, 1=5 MINUTES, 2=15 MINUTES, 3=30 MINUTES, 4=1 HOUR, 5=3 HOURS, 6=8 HOURS, 7=12 HOURS, 8=1 DAYS, 9=1.5 DAYS, 10=2 DAYS, 11=3 DAYS, 12=5 DAYS, 13=1 WEEK, 14=2 WEEK, 15=4 WEEK, 16=USB FULL		Command	TRNDDUR
TREND RATE	USB TREND RATE	1 to 300		Command	TRNDRATE
TREND POINTS FROM	USB TREND POINTS FROM	0=FILE, 1=LIST		Command	TRNDPNTS
TREND FROM USB FILE?	TREND FROM USB FILE MENU				
TREND FROM PRELIST?	TREND FROM PRELIST MENU				
EQUIP PERFORMANCE	TREND EQUIP PERFORMANCE	On/Off		Command	TRNDEQPR
GEN. INPUT/OUTPUT	TREND GEN INPUTS/OUTPUTS	On/Off		Command	TRNDIO
COOL PERFORMANCE	TREND COOL PERFORMANCE	On/Off		Command	TRNDCLPR
HEAT PERFORMANCE	TREND HEAT PERFORMANCE	On/Off		Command	TRNDHTPR
COOL DIAGNOSTIC	TREND COOLING DIAGNOSTIC	On/Off		Command	TRNDCLDG
IDF DIAGNOSTIC	TREND IDF DIAGNOSTIC	On/Off		Command	TRNDIDF
VENT DIAGNOSTIC	TREND VENTILATION	On/Off		Command	TRNDVENT
TREND GO?	Start USB Trending	Yes/No		Command	TREND_EN
SAVE CONFIGS TO FILE	Save Configuration to file				
SAVE CONFIGS	Make Config Backup File	Start/Stop		Command	DDBCKUP
SAVE CONFIG STATUS	Backup File is ready	0=IDLE, 1=SUCCESS, 2=FAILURE			BACKUP_R
SAVE CONFIGS FROM FILE	Save Configuration from file				
FIND CONFIG FILE	USB Find Restore File	Yes/No		Command	BACKFILE
FILE TRANSFER	File Transfer Menu				
BACKUP SERVICE FILES	BACKUP SERVICE FILES				
UPGRADE SOFTWARE	Upgrade Software Menu				
FIND APPLICATION FILE	USB search for app file	Yes/No		Command	APPFILE



## APPENDIX B: SystemVu™ Controller Text Point Reference

SystemVu Display Name = MODE  
 SystemVu Text point = MODETEXT  
 SystemVu Numeric point = SYS\_MODE

MODETEXT	SYS_MODE
OFF	1
COOL	2
HEAT	3
VENT	4
TEST	5

SystemVu Display Name = SUB-MODE  
 SystemVu Text point = SUBMTEXT  
 SystemVu Numeric point = SUB\_MODE

SUBMTEXT	SUB_MODE
NO SUBMODE	0
NO SUBMODE	1
NO COOLING	2
ECON FREE COOLING	3
UNOCC. FREE COOL	4
MECH. COOLNG	5
ECON/MECH COOLING	6
DHUMI/MECH COOLING	7
DEHUMIDIFYING	8
DEHUM PREVENTED	9
COOLING PREVENTED	10
SHUTTING COOL OFF	11
NO HEATING	12
HEATING PREVENTED	14
SHUTTING HEAT OFF	15
OA TEMPERING	16
NO VENT	17
MODE TIMEGUARD	18
SUPPLY FAN ON	19
NO TEST	20
FACTORY ACCESS	21
MANUAL TEST	22
AUTO TEST	23
SHUTTING TEST OFF	24
MODE TIMEGUARD	25
IDLE -- NO DEMAND	26
UNIT DISABLED	27
URGENT SHUTDOWN	28
SAFETY CONTROL	29
STARTING UP	30
PURGING SMOKE	31
PRESSURIZING	32
EVACUATING SMOKE	33

SystemVu Display Name = VENT MODE  
 SystemVu Text point = VENTTEXT  
 SystemVu Numeric point = VENTSTAT

VENTTEXT	VENTSTAT
SUPPLY FAN OFF	0
CIRCULATION	1
PRE-OCC PURGE	2
IAQ OVERRIDE	3
MINIMUM POSITION	4
UNDER VENTILATION	5
OVER VENTILATION	6
DCV POSITION	7
FREECOOL POSITION	8
TESTING	9

SystemVu Display Name = DEMAND  
 SystemVu Text point = SYSDMDT  
 SystemVu Numeric point = SYS\_DMD

SYSDMDT	SYS_DMD
NO DEMAND	0
FAN ONLY	8
LOW COOL	17, 25
MED COOL	17, 25
HIGH COOL	19, 27
LOW COOL DEHUM	21, 29
MED COOL DEHUM	22, 30
HIGH COOL DEHUM	23, 31
LOW HEAT	33, 37, 41, 45
HIGH HEAT	35, 39, 43, 47
SERVICE TEST	49
FACTORY TEST	51
EMERGENCY	64
SMOKE PURGE	65
SMOKE PRESSURE	66
SMOKE EVAC	67
UFC LOW COOL	81
UFC MED COOL	82
UFC HIGH COOL	83
LOW UFC DEHUM	85
MED UFC DEHUM	86
HIGH UFC DEHUM	87
SHUTDOWN	96
SAFETY FAULT	112

**APPENDIX C: Navigator™ Display  
MODE - RUN STATUS**

ITEM	EXPANSION	RANGE	UNIT	WRITE STATUS	POINT
<b>RUN STATUS</b>					
VIEW	Auto View of Run Status				
MODE	Operating Mode	see Appendix B			MODETEXT
SUBM	Operating Sub– Mode	see Appendix B			SUBMTEXT
S.DMD	System Demand	see Appendix B			SYS_DMDT
LINK	Linkage Active	Yes/No		YES	LNK_ACT
OCC	Currently Occupied	Yes/No		YES	OCCUPIED
SAT	Supply Air Temperature	xxx.x	° F		SAT
<b>COOL</b>	<b>Cooling Status Menu</b>				
C.SPD	Commanded IDF Speed	xxx	%		FANSPEED
ACT.C	Actual Cool Stage Active	x			ACTCSTGS
ODF.S	Commanded ODF Speed	xxxx	rpm		ODFSPD
EC.CP	Econo Commanded Position	xxx	%	YES	DAMPAMD
OS.SP	ODF Control SDT SP	xxx.x	° F		ODFSDTSP
LA.ST	Low Ambient Ctrl Status	0=Normal, 1=Entering, 2=Low Ambient, 3=Exiting			LACTRLST
RDHL	Requested Dehum Level	0 to 2			REQDHLEV
<b>MECH</b>	<b>Mech Cooling Detail Menu</b>				
OK.MC	Ok to use compressors?	Yes/No			OKMECHCL
MC.ON	Mechanical Cool active?	Yes/No			MECHCOOL
MAX.C	Max Allowed Cool Stages	0 to 3		YES	MAXCSTGS
REQ.C	Requested Cooling Stages	0 to 3			REQCSTGS
ACT.C	Actual Cool Stage Active	x			ACTCSTGS
ODF.S	Commanded ODF Speed	xxxx	rpm		ODFSPD
TG.A1	Compressor A1 Timeguard	xxx	sec		TIMGD_A1
TG.A2	Compressor A2 Timeguard	xxx	sec		TIMGD_A2
TG.AL	cmp Loader Timeguard	xxx	sec		TIMG_ALD
SA.TR	Supply Air Temp Trend	xxx.x	^ F/min		SATTREND
ST.A1	Compressor A1 Strikes	x			A1STRIKE
ST.A2	Compressor A2 Strikes	x			A2STRIKE
HPOV	High Pressure Override	Yes/No			HP_OVR
C.LO	Circuit A Locked Out	Yes/No			CIRALOCK
LC.LO	Low cooling locked out	Yes/No			LC_LOCK
MC.LO	Medium Cooling lockout	Yes/No			MC_LOCK
A1.AV	Compressor A1 Available	Yes/No			CA1_AVAL
A1.LO	Compressor A1 locked out	Yes/No			CA1_LOCK
A2.AV	Compressor A2 Available	Yes/No			CA2_AVAL
A2.LO	Compressor A2 locked out	Yes/No			CA2_LOCK
<b>FC</b>	<b>Free Cooling Detail Menu</b>				
OK.EC	OK to Use Free Cooling?	Yes/No			OKFREECL
FC.ON	Free Cooling active	Yes/No			FREECOOL
FCSP	Free Cooling SAT Setpnt	xx.x	° F		FC_SATSP
REQ.D	Requested Damper Pos	xxx	%		REQDAMP
ECOK	Econ Damper Operational	Yes/No			DAMPGOOD
E.LOC	Dry Bulb Lockout	Yes/No		YES	DBLOCK
EN.LO	Enthalpy Lockout	Yes/No		YES	ENTHLOCK
OK.UF	Ok to unocc Free Cool?	Yes/No			OKTOUFC
UFC	Unocc Free Cool Active	Yes/No			UFC_ACT
UF.LO	Unocc Free Cool Lockout	Yes/No			UNOCLOCK
<b>DHUM</b>	<b>Dehumidification Menu</b>				
OK.DH	OK to Dehumidify?	Yes/No			OKTODHUM
OK.FB	OK to fan based dehum	Yes/No			OKTOFBD
OK.HZ	OK to use Humidimizer	Yes/No			ODTOHUMZ
RDHS	Req Compr DehumStgs	0 to 3			REQDSTGS
FL.SS	FBDH SST locked out	Yes/No			FBDSSSTLO
FL.SA	FBDH SAT Lockout	Yes/No			FBDSSATLO
<b>HEAT</b>	<b>Heating Status Menu</b>				
C.SPD	Commanded IDF Speed	xxx	%		FANSPEED
IFO	IGC Fan On Request (IFO)	On/Off			IGC_IFO
REQ.H	Requested Heating Stages	0 to 2			REQHSTGS
ACT.H	Actual Heat Stage Active	x			ACTHSTGS
OK.HT	OK to Run Heat	Yes/No			OKTOHEAT
MAX.H	Max Allowed Heat Stages	0 to 2		YES	MAXHSTGS
TG.H1	Heat Stage 1 Timeguard	xxx	sec		TIMGD_H1
TG.H2	Heat Stage 2 Timeguard	xxx	sec		TIMGD_H2
SA.TR	Supply Air Temp Trend	xxx.x	^ F/min		SATTREND
H.LOC	All Heat Stages Lockout	Yes/No		YES	ALLHTLOC
H1.AV	Heat Stage 1 Available	Yes/No			HT1_AVAL
H2.AV	Heat Stage 2 Available	Yes/No			HT2_AVAL
OK.ST	OK to SupplyAirTempering	Yes/No			OKTOTEMP

**APPENDIX C: Navigator™ Display  
MODE - RUN STATUS (cont)**

ITEM	EXPANSION	RANGE	UNIT	WRITE STATUS	POINT
VENT	Ventilation Status Menu				
VENT	Ventilation Status	see Appendix B			VENTTEXT
EC.MP	Min Position in Effect	xxx	%	YES	MIN_POS
EC.AP	Econo Actual Position	xxx	%		DAMPPOS
C.SPD	Commanded IDF Speed	xxx	%		FANSPEED
OCC	Currently Occupied	Yes/No		YES	OCCUPIED
PRE.O	In Pre-Occupancy Purge?	Yes/No			PREOCCON
FC.ON	Free Cooling active	Yes/No			FREECOOL
DFAQ	Differential Air Quality	xxxx	PPM		AQ_DIFF
OK.PG	Ok to Preoccupancy Purge	Yes/No			OKPREOCC
I.OV	Is IAQ Override Active?	Yes/No		YES	IAQ_OVRD
IO.SS	IAQ override SW state	Yes/No		YES	IAQ_OVRS
DCV.O	IAQ DCV Curve Offset	0 to 100			IAQ_OFFS
I.FAN	Indoor Fan Status Menu				
C.SPD	Commanded IDF Speed	0 to 100	%		FANSPEED
F.OVR	IDF Speed Override Flag	On/Off			FAN_OVRD
F.BAD	IDF Operation Errors?	Yes/No			IDFBAD
F.RED	IDF Speed Reduction On	Yes/No			FANRED10
GEN	General Status Of Menu				
FT.RM	Filter hour remaining	xxxx	hours		FILTLEFT
R.FLT	Reset Filter Timer	Yes/No			RESETFLT
DSTA	DST currently active	Yes/No			DST_ACTV
TCS	Temp Compensate Start On	Yes/No			TCS_ACT
OCC	OCCUPANCY DATA				
OCC	Currently Occupied	Yes/No		YES	OCCUPIED
MT.OC	Mins until next occupied	xxxxx	min		MINTILOC
OC.CL	Active Occupancy control	0=24/7 OCC, 1=SCHEDULE, 2=BAS CTRL, 3=REMOCC CTL, 4=TIME OVRD, 5=LINKAGE, 6=FORCED			OCC_CTRL
LN.OC	Linkage Occupied Request	0=Unocc, 1=Occupied, 2=Disabled			LNK_OCC
OV.EX	Timed Override Remaining	0 to 240	min	YES	OVR_EXT
RM.OC	Remote Occupancy Switch	On/Off		YES	REMOCC
BMS.O	BMS Occupancy Request	0=UNOCC, 1=OCCUPIED, 2=DISABLED		YES	BMS_OCC
LC.OC	Local Sched Occ Request	0=Unocc, 1=Occupied		YES	LOC_OCC
PER.N	Active Schedule period	0 to 8			PER_NO
HL.TW	Tomorrow Is A Holiday	Yes/No			HOL_TMRW
HL.TY	Today Is A Holiday	Yes/No			HOLTODAY
NOC.D	Next Occupied Day	DDD			NXTOCDAY
NOC.T	Next Occupied Time	hh:mm			NXTOCTIM
NUC.D	Next Unoccupied Day	DDD			NXTUNDAY
NUC.T	Next Unoccupied Time	hh:mm			NXTUNTIM
PUC.D	Previous Unoccupied Day	DDD			PRVUNDAY
PUC.T	Previous Unoccupied Time	hh:mm			PRVUNTIM

**APPENDIX C: Navigator™ Display  
MODE - RUN STATUS (cont)**

ITEM	EXPANSION	RANGE	UNIT	WRITE STATUS	POINT
RUN	Run Hours & Cycles Menu				
HRS	Run hours menu				
A1	Compressor A1 Run Hours	xxxxxx.x	hours		HR_A1
A2	Compressor A2 Run Hours	xxxxxx.x	hours		HR_A2
ALD	CMP A1 Loader Run Hours	xxxxxx.x	hours		HR_ALDR
ALM.O	Alarm Relay Run Hours	xxxxxx.x	hours		HR_ALM
CCH1	CCH1 Relay Run Hours	xxxxxx.x	hours		HR_CCHR1
DAMP	Econ Damper Run Hours	xxxxxx.x	hours		HR_DAMP
FLD	Unit Full Load Run Hours	xxxxxx.x	hours		HR_FLOAD
FC	Free Cooling Run Hours	xxxxxx.x	hours		HR_FREEC
HT.1	Heat Stage 1 Run Hours	xxxxxx.x	hours		HR_HTR_1
HT.2	Heat Stage 2 Run Hours	xxxxxx.x	hours		HR_HTR_2
IDF	Indoor Fan Run Hours	xxxxxx.x	hours		HR_IDF
LDAH	LDV_A Run Hours	xxxxxx.x	hours		HR_LDV_A
MAXF	Max Fan Speed Run Hours	xxxxxx.x	hours		HR_MAXF
ODF1	ODF Spd Sig 1 Run Hours	xxxxxx.x	hours		HR_ODF1
ODF2	ODF Spd Sig 2 Run Hours	xxxxxx.x	hours		HR_ODF2
ODF3	ODF Spd Sig 3 Run Hours	xxxxxx.x	hours		HR_ODF3
PE.1	Power Exhaust1 Run Hours	xxxxxx.x	hours		HR_PE_1
PE.2	Power Exhaust2 Run Hours	xxxxxx.x	hours		HR_PE_2
RDAH	RDV_A Run Hours	xxxxxx.x	hours		HR_RDV_A
SUBH	Reheat level 1 Run Hrs	xxxxxx.x	hours		HR_RQHL1
HGRH	Reheat level 2 Run Hrs	xxxxxx.x	hours		HR_RQHL2
TEST	Service Test Run Hours	xxxxxx.x	hours		HR_STEST
VENT	Vent IDF Run Hours	xxxxxx.x	hours		HR_VENTF
STRT	Start Counts menu				
A1	Compressor A1 Starts	xxxxxx			ST_A1
A2	Compressor A2 Starts	xxxxxx			ST_A2
ALM.O	Alarm Relay Starts	xxxxxx			ST_ALM
ALM.R	Alarm Reset Counts	xxxxxx			ST_ALRST
CCH1	CCH1 Relay Starts	xxxxxx			ST_CCHR1
DAMP	Economizer Damper Starts	xxxxxx			ST_DAMP
FLD	Unit Full Load Starts	xxxxxx			ST_FLOAD
FC	Free Cooling Starts	xxxxxx			ST_FREEC
HT.1	Heat Stage 1 Starts	xxxxxx			ST_HTR_1
HT.2	Heat Stage 2 Starts	xxxxxx			ST_HTR_2
IDF	Indoor Fan Starts	xxxxxx			ST_IDF
LDVA	LDV_A Starts	xxxxxx			ST_LDV_A
MAXF	Max IDF Speed Starts	xxxxxx			ST_MAXF
ODF1	ODF Spd Signal 1 Starts	xxxxxx			ST_ODF1
ODF2	ODF Spd Signal 2 Starts	xxxxxx			ST_ODF2
ODF3	ODF Spd Signal 3 Starts	xxxxxx			ST_ODF3
RDVA	RDV_A Starts	xxxxxx			ST_RDV_A
RQD.1	Reheat level 1 Starts	xxxxxx			ST_RQHL1
RQD.2	Reheat level 2 Starts	xxxxxx			ST_RQHL2
PE.1	Power Exhaust 1 Starts	xxxxxx			ST_PE_1
PE.2	Power Exhaust 2 Starts	xxxxxx			ST_PE_2
POR	Power Cycle Counts	xxxxxx			ST_POR
TEST	Service Test Starts	xxxxxx			ST_STEST
VENT	Ventilation Fan Starts	xxxxxx			ST_VENTF
RST	Reset Counts menu				
A1	Comp A1 Resets Count	xxxxxx			RS_A1
A2	Comp A2 Resets Count	xxxxxx			RS_A2
ALD	A1 Loader Resets Count	xxxxxx			RS_ALDR
ALM.O	Alarm Relay Resets Count	xxxxxx			RS_ALM
ALM.R	Alarm Reset Resets Count	xxxxxx			RS_ALRST
CCH1	CCH1 Relay Resets Count	xxxxxx			RS_CCHR1
DAMP	Econ Damper Resets Count	xxxxxx			RS_DAMP
FLD	Full Load Resets Count	xxxxxx			RS_FLOAD
FC	Free Cooling Reset Count	xxxxxx			RS_FREEC
HT.1	Heat Stage 1 Reset Count	xxxxxx			RS_HTR_1
HT.2	Heat Stage 2 Reset Count	xxxxxx			RS_HTR_2
IDF	Indoor Fan Reset Count	xxxxxx			RS_IDF
LDAR	ldv_a Resets Count	xxxxxx			RS_LDV_A
MAXF	Max IDF Spd Resets Count	xxxxxx			RS_MAXF
ODF1	ODF Signal1 Resets Count	xxxxxx			RS_ODF1
ODF2	ODF Signal2 Resets Count	xxxxxx			RS_ODF2
ODF3	ODF Signal3 Resets Count	xxxxxx			RS_ODF3
PE.1	PExhaust 1 Resets Count	xxxxxx			RS_PE_1
PE.2	PExhaust 2 Resets Count	xxxxxx			RS_PE_2
POR	Power Cycle Resets Count	xxxxxx			RS_POR
RDAR	RDV_A Resets Count	xxxxxx			RS_RDV_A
SUBR	Reheat Level 1 Resets Count	xxxxxx			RS_RQHL1
HGBR	Reheat Level 2 Resets Count	xxxxxx			RS_RQHL2
TEST	Service Test Reset Count	xxxxxx			RS_STEST
VENT	Vent IDF Resets Count	xxxxxx			RS_VENTF

**APPENDIX C: Navigator™ Display  
MODE - RUN STATUS (cont)**

ITEM	EXPANSION	RANGE	UNIT	WRITE STATUS	POINT
<i>RUN (CONT)</i>	Run Hours & Cycles Menu				
POR	Power On Reset Hist Menu				
POR0	Power Reset Event 00	mm/dd/yy, hh:mm:ss			POWRES00
POR1	Power Reset Event 01	mm/dd/yy, hh:mm:ss			POWRES01
POR2	Power Reset Event 02	mm/dd/yy, hh:mm:ss			POWRES02
POR3	Power Reset Event 03	mm/dd/yy, hh:mm:ss			POWRES03
POR4	Power Reset Event 04	mm/dd/yy, hh:mm:ss			POWRES04
POR5	Power Reset Event 05	mm/dd/yy, hh:mm:ss			POWRES05
POR6	Power Reset Event 06	mm/dd/yy, hh:mm:ss			POWRES06
POR7	Power Reset Event 07	mm/dd/yy, hh:mm:ss			POWRES07
POR8	Power Reset Event 08	mm/dd/yy, hh:mm:ss			POWRES08
POR9	Power Reset Event 09	mm/dd/yy, hh:mm:ss			POWRES09
A.IO	Assigned I/O Channels				
AI06	Assigned AI06 Function	0=None, 1=IAQ, 2=OARH, 3=RARH, 4=OAQ, 5=SPRH, 6=OACFM			MBBAI06F
AI07	Assigned AI07 Function	0=None, 1=IAQ, 2=OARH, 3=RARH, 4=OAQ, 5=SPRH, 6=OACFM			MBBAI07F
AI08	Assigned AI08 Function	0=None, 1=IAQ, 2=OARH, 3=RARH, 4=OAQ, 5=SPRH, 6=OACFM			MBBAI08F
SA10	Assigned S-AI01 Function	0=None, 1=IAQ, 2=OARH, 3=RARH, 4=OAQ, 5=SPRH, 6=OACFM			SIOAI01F
DI02	Assigned DI02 Function	0=None, 1=COFS, 2=REMOCC, 3=REMOFF, 4=FILTER, 5=ENTHALPY, 6=GEN STAT, 7=HUMIDISTAT			MBBDI02F
DI04	Assigned DI04 Function	0=None, 1=COFS, 2=REMOCC, 3=REMOFF, 4=FILTER, 5=ENTHALPY, 6=GEN STAT, 7=HUMIDISTAT			MBBDI04F
DI12	Assigned DI12 Function	0=None, 1=COFS, 2=REMOCC, 3=REMOFF, 4=FILTER, 5=ENTHALPY, 6=GEN STAT, 7=HUMIDISTAT			MBBDI12F
DI13	Assigned DI13 Function	0=None, 1=COFS, 2=REMOCC, 3=REMOFF, 4=FILTER, 5=ENTHALPY, 6=GEN STAT, 7=HUMIDISTAT			MBBDI13F

**APPENDIX C: Navigator™ Display**  
**MODE - RUN STATUS (cont)**

ITEM	EXPANSION	RANGE	UNIT	WRITE STATUS	POINT
A.IO (cont) DI14	Assigned I/O Channels Assigned DI14 Function	0=None, 1=COFS, 2=REMOCC, 3=REMOFF, 4=FILTER, 5=ENTHALPY, 6=GEN STAT, 7=HUMIDISTAT			MBBDI14F
SD04	Assigned S-DI01 Function	0=None, 1=COFS, 2=REMOCC, 3=REMOFF, 4=FILTER, 5=ENTHALPY, 6=GEN STAT, 7=HUMIDISTAT			SIODI01F
RY06	Assigned Rly 06 Function	0=None, 1=ALM Relay, 2=PE1, 3=PE2			MBBRY06F
RY11	Assigned Rly 11 Function	0=None, 1=ALM Relay, 2=PE1, 3=PE2			MBBRY11F
VERS	Versions Menu				
MODL	Equipment Model number	xxxxxxxxxxxxxxxx			EQ_MOD
SERL	Equipment Serial number	xxxxxxxx			EQ_SER
SW	Application SW Version	CESR131651-xx-xx			FW_CESR
IOB.1	SIOB1 SW Version	SIOB1 SW VERSION-x.xx			SIOB1_SW
BOOT	Bootloader Software Version	CESR131659-xx-xx			BL_CESR
MBB	MBB Part Number	CEPL131117-xx-R			BD_CEPL
MBB.P	MBB Program Part Number	CEPP130644-xx-xx-xx-R			BD_CEPP
MBB.S	Base Board serial number	xxxxNxxxxx			BD_SER

**MODE - SERVICE TEST**

ITEM	EXPANSION	RANGE	UNIT	POINT
<b>SERVICE TEST</b>				
TEST	Service Test Mode Enable	On/Off		TSTENBL
INDP	INDEPENDENT TEST MENU			
DAMP	Economizer Position Test	0 to 100	%	S_DAMPER
BMP1	Compressor Bump A1 Test	On/Off		S_BMPA1
BMP2	Compressor Bump A2 Test	On/Off		S_BMPA2
LDV.A	LiqDivertrValveRelayTest	On/Off		S_LDV_A
RDV.A	ReheatDschgValvRelayTest	On/Off		S_RDV_A
CCH1	Crankcase Heater 1 Test	On/Off		S_CCHR1
ALRM	Alarm Output Relay Test	On/Off		S_ALARM
PE1	Power Exhaust 1 Test	On/Off		S_PE_1
PE2	Power Exhaust 2 Test	On/Off		S_PE_2
FAN	IDF/ODF Fan Tests Menu			
IDFS	Indoor Fan Speed Test	0 to 100	%	S_IDFS
ODFS	System ODF speed test	0 to 1200	rpm	S_ODFS
OFS1	Outdoor Fan 1 speed test	0 to 1200	rpm	S_OFS1
OFS2	Outdoor Fan 2 speed test	0 to 1200	rpm	S_OFS2
OFS3	Outdoor Fan 3 speed test	0 to 1200	rpm	S_OFS3
IF.TR	IDF Manual Transition	Yes/No		S_IFTRN
OF.TR	ODF Manual Transition	Yes/No		S_OFTRN
COOL	Cooling Test Menu			
CL.A1	Cooling W/Comp.A1 Test	On/Off		S_COOLA1
CL.A2	Cooling W/Comp.A2 Test	On/Off		S_COOLA2
IDFS	Indoor Fan Speed Test	0 to 100	%	S_IDFS
ODFS	System ODF speed test	0 to 1200	rpm	S_ODFS
HUM.T	HumidiMizer Level	0-Off, 1=Subcool, 2=Reheat		S_HUZLEV
HEAT	Heating Test Menu			
HT.1	Heating Stage 1 Test	On/Off		S_HEAT1
HT.2	Heating Stage 2 Test	On/Off		S_HEAT2
IDFS	Indoor Fan Speed Test	0 to 100	%	S_IDFS

## APPENDIX C: Navigator™ Display

### MODE - TEMPERATURES

ITEM	EXPANSION	RANGE	UNIT	WRITE STATUS	POINT
<b>TEMPERATURES</b>					
SAT	Supply Air Temperature	xxx.x	°F		SAT
OAT	Outdoor Air Temperature	xxx.x	°F	YES	OAT
RAT	Return Air Temperature	xxx.x	°F	YES	RAT
SPT	Space Temperature	xxx.x	°F	YES	SPACE_T
SPTO	Space Temperature Offset	xx.x	°F	YES	SPTO
SST.A	Cir.A Sat. Suction Temp	xxx.x	°F		SST_A
SDT.A	Cir.A Sat. Discharge Temp	xxx.x	°F		SDT_A
FST	Fan Supply Air Temp	xxx.x	°F		FST

### MODE - PRESSURES

ITEM	EXPANSION	RANGE	UNIT	WRITE STATUS	POINT
<b>PRESSURES</b>					
SSPA	Cir. A Suction Pressure	xxx.x	psig		SSP_A
SDPA	Cir. A Discharge Pressure	xxx.x	psig		SDP_A
PR.A	Circuit A Pressure Ratio	xx.xx	n/a		CIRA_PR
BARP	Barometric Pressure	xx.xx	in.Hg	YES	BARP

### MODE - SETPOINTS

ITEM	EXPANSION	RANGE	UNIT	DEFAULT	POINT
<b>SETPOINTS</b>					
OCSP	Occupied Cool Setpoint	55 to 80	°F	78	OCSP
OHSP	Occupied Heat Setpoint	55 to 80	°F	68	OHSP
UCSP	Unoccupied Cool Setpoint	65 to 95	°F	85	UCSP
UHSP	Unoccupied Heat Setpoint	40 to 80	°F	60	UHSP
GAP	Heat–Cool Setpoint Gap	2 to 10	^F	5	HCSP_GAP
STO.R	SPT Offset Range (+/–)	0 to 5	°F	5	SPTO_RNG
RH.SP	Space RH Setpoint	0 to 100	%	55	SPRH_SP
SA.SP	SA tempering Set point	xx	°F	50	SATEMPSP
T.DMD	Temp Demand Config Menu				
LCON	Low Cool Demand On	–1 to 2	°F	0.5	DMDLCON
MCON	Medium Cool Demand On	0.5 to 20	°F	1	DMDMCON
HCON	High Cool Demand On	0.5 to 20	°F	2	DMDHCON
LCOF	Low Cool Demand Off	–1 to 2	°F	–0.5	DMDLCOFF
CLUP	Cool Demand Level Up	–2 to 2	^F/min	–0.2	CDMD_LUP
LHON	Low Heat Demand On	–1 to 2	°F	0.5	DMDLHON
HHON	High Heat Demand On	0.5 to 20	°F	2	DMDHHON
LHOF	Low Heat Demand Off	–1 to 2	°F	–0.5	DMDLHOFF
HLUP	Heat Demand Level Up	–2 to 2	^F/min	–0.2	HDMD_LUP
TG1	Space Demand Time Guard1	60 to 600	sec	180	TDMD_TG1
TG2	Space Demand Time Guard2	0 to 600	sec	300	TDMD_TG2
TG3	Space Demand Time Guard3	5 to 120	min	10	TDMD_TG3
DMD.C	Demand Limit Config Menu				
CDL.1	COOL DMD Offset level 1	0 to 99	°F	1	CLDOLEV1
CDL.2	COOL DMD Offset level 2	0 to 99	°F	3	CLDOLEV2
CDL.3	COOL DMD Offset level 3	0 to 99	°F	5	CLDOLEV3
HDL.1	Heat DMD Offset level 1	0 to 99	°F	1	HTDOLEV1
HDL.2	Heat DMD Offset level 2	0 to 99	°F	3	HTDOLEV2
HDL.3	Heat DMD Offset level 3	0 to 99	°F	5	HTDOLEV3

## APPENDIX C: Navigator™ Display MODE - INPUTS

ITEM	EXPANSION	RANGE	UNIT	WRITE STATUS	POINT
<b>INPUTS</b>					
STAT	Thermostat Inputs menu				
G	Thermostat G Input	On/Off		YES	G
Y1	Thermostat Y1 Input	On/Off		YES	Y1
Y2	Thermostat Y2 Input	On/Off		YES	Y2
Y3	Thermostat Y3 Input	On/Off		YES	Y3
W1	Thermostat W1 Input	On/Off		YES	W1
W2	Thermostat W2 Input	On/Off		YES	W2
<b>SW</b>	Switch Inputs Menu				
IFO	IGC Fan On Request (IFO)	On/Off			IGC_IFO
HPS.A	Cir.A High Pressure Sw	Open/Close			CIRA_HPS
HUMD	Humidistat I/P	On/Off		YES	HUMDSTAT
FDWN	Fire Shutdown Switch	Alarm/Normal		YES	FIREDOWN
COFS	COFS Switch State	High/Low		YES	COFS
FIL.S	Filter Status Switch	Dirty/Clean		YES	FILTSTAT
RM.OC	Remote Occupancy Switch	On/Off		YES	REMOCC
R.OFF	Remote Shutdown Switch	On/Off		YES	REMSHUT
GEN.S	General Status Switch	Alarm/Normal		YES	GENSTAT
ENTH	Enthalpy Switch	High/Low		YES	ENTH_SW
<b>AIS</b>	Analog Inputs Menu				
EC.AP	Econo Actual Position	0 to 100	%		DAMPPOS
SPRH	Space RH	0 to 100	%	YES	SPRH
OARH	OA Relative Humidity	0 to 100	%	YES	OARH
RARH	RA Relative Humidity	0 to 100	%	YES	RARH
IAQ	Indoor Air Quality Level	xxxx	ppm	YES	IAQ
OAQ	OA Quality Level	xxxx	ppm	YES	OAQ
OCFM	Outdoor Air in CFM	xxx.x	cfm	YES	OACFM
<b>GEN</b>	General Inputs Menu				
FTRM	Filter hour remaining	xxxx	hours		FILTLEFT
R.FLT	Reset Filter Timer	Yes/No			RESETFLT
OAE	Outdoor Air Enthalpy	xxx.x	Btu/lb	YES	OA_ENTH
RAE	Return Air Enthalpy	xxx.x	Btu/lb	YES	RA_ENTH
DFAQ	Differential Air Quality	xxxx	PPM		AQ_DIFF
<b>NET</b>	Network Menu				
BMS.O	BMS Occupancy Request	0=UNOCC, 1=OCCUPIED, 2=DISABLED		YES	BMS_OCC
LN.OC	Linkage Occupied Request	0=Unocc, 1=Occupied, 2=Disabled			LNK_OCC
OAT.N	Network OAT Value	xxx.x	° F		OAT_NET
RAT.N	Network Return Air Temp	xxx.x	° F		RAT_NET
SPT.N	Network Space Temp Value	xxx.x	° F		SPT_NET
RH.NT	Network SPRH Value	0 to 100	%		SPRH_NET
ORH.N	Network OARH Value	0 to 100	%		OARH_NET
RRH.N	Network RARH Value	0 to 100	%		RARH_NET
IAQ.N	Network IAQ Value	xxxx	ppm		IAQ_NET
OAQ.N	Network OAQ Value	xxxx	ppm		OAQ_NET
OCFN	Network OACFM Value	xxx.x	cfm		OCFM_NET



**APPENDIX C: Navigator™ Display  
MODE - INPUTS**

ITEM	EXPANSION	RANGE	UNIT	WRITE STATUS	POINT
<i>NET (cont)</i>	Network Menu				
ZSSI	ZS Sensor Information				
ZS.ZT	Zone Sensor Temp Out	-40 to 245	° F		ZSZT
ZS.RH	Zone Sensor Humidity Out	0 to 1	° F		ZSSPRH
ZS.SO	ZS Setpoint OffsetOutput	-5.0 to 5.0	° F delta		ZSSPTO
Z.OTR	ZS Override time remaining	0 to 600	min		ZSOTR
ZSST	ZS Space Temperature				
Z1.ST	Zone Sensor 1 Temp	-40 to 245	° F		ZS1ZT
Z2.ST	ZS2 Temperature	-40 to 245	° F		ZS2ZT
Z3.ST	ZS3 Temperature	-40 to 245	° F		ZS3ZT
Z.4.ST	ZS4 Temperature	-40 to 245	° F		ZS4ZT
Z.5.ST	ZS5 Temperature	-40 to 245	° F		ZS5ZT
ZSHL	ZS Space Humidity				
Z1.RH	ZS1 Humidity	0 to 1	%		ZS1HUM
Z2.RH	ZS2 Humidity	0 to 1	%		ZS2HUM
Z3.RH	ZS3 Humidity	0 to 1	%		ZS3HUM
Z.4.RH	ZS4 Humidity	0 to 1	%		ZS4HUM
Z.5.RH	ZS5 Humidity	0 to 1	%		ZS5HUM
ZSCO	ZS Cool Setpoint Offset				
Z1.CO	ZS1 cool setpoint offset	-5.0 to 5.0	% delta		ZS1CSOFF
Z2.CO	ZS2 cool setpoint offset	-5.0 to 5.0	% delta		ZS2CSOFF
Z3.CO	ZS3 cool setpoint offset	-5.0 to 5.0	% delta		ZS3CSOFF
Z.4.CO	ZS4 cool setpoint offset	-5.0 to 5.0	% delta		ZS4CSOFF
Z.5.CO	ZS5 cool setpoint offset	-5.0 to 5.0	% delta		ZS5CSOFF
ZSHO	ZS Heat Setpoint Offset				
Z1.HO	ZS1 Heat Setpoint Offset	-5.0 to 5.0	% delta		ZS1HSOFF
Z2.HO	ZS2 Heat Setpoint Offset	-5.0 to 5.0	% delta		ZS2HSOFF
Z3.HO	ZS3 Heat Setpoint Offset	-5.0 to 5.0	% delta		ZS3HSOFF
Z.4.HO	ZS4 Heat Setpoint Offset	-5.0 to 5.0	% delta		ZS4HSOFF
Z.5.HO	ZS5 Heat Setpoint Offset	-5.0 to 5.0	% delta		ZS5HSOFF
ZOTO	ZS Occ Timed Override				
Z1.OT	ZS1 Override time remain	0 to 600	min		ZS1OTR
Z2.OT	ZS2 Override time remain	0 to 600	min		ZS2OTR
Z3.OT	ZS3 Override time remain	0 to 600	min		ZS3OTR
Z.4.OT	ZS4 Override time remain	0 to 600	min		ZS4OTR
Z.5.OT	ZS5 Override time remain	0 to 600	min		ZS5OTR
<b>HW</b>	Hardware inputs menu				
OATS	Outdoor Air Temp Sensor	xxx.x	° F		OAT_LOC
RATS	Return Air Temp Sensor	xxx.x	° F		RAT_LOC
SPTS	Space Temperature Sensor	xxx.x	° F		SPT_LOC
SPRH	Local Space Temp Offset	xxxx	° F delta		SPTO_LOC
SPR.L	OACFM Sensor Value	0 to 100	%		SPRH_LOC
ORH.S	OARH Sensor Value	0 to 100	%		OARH_LOC
RRH.S	RARH Sensor Value	0 to 100	%		RARH_LOC
IAQ.S	IAQ Sensor Value	xxxx	ppm		IAQ_LOC
OAQ.S	OAQ Sensor Value	xxxx	ppm		OAQ_LOC
OCFL	OACFM Sensor Value	xxx.x	ppm		OCFM_LOC

## APPENDIX C: Navigator™ Display

### MODE - INPUTS (cont)

ITEM	EXPANSION	RANGE	UNIT	WRITE STATUS	POINT
DATA	User Measured Data Menu				
L1	Supply Voltage Leg 1	0 to 700	volt		L1VOLTS
L2	Supply Voltage Leg 2	0 to 700	volt		L2VOLTS
L3	Supply Voltage Leg 3	0 to 700	volt		L3VOLTS
A1.L1	Comp A1 Amps Leg 1	0 to 100	amps		CA1L1_A
A1.L2	Comp A1 Amps Leg 2	0 to 100	amps		CA1L2_A
A1.L3	Comp A1 Amps Leg 3	0 to 100	amps		CA1L3_A
A2.L1	Comp A2 Amps Leg 1	0 to 100	amps		CA2L1_A
A2.L2	Comp A2 Amps Leg 2	0 to 100	amps		CA2L2_A
A2.L3	Comp A2 Amps Leg 3	0 to 100	amps		CA2L3_A
EH.L1	Elec. Heat Amps Leg 1	0 to 100	amps		EHTL1_A
EH.L2	Elec. Heat Amps Leg 2	0 to 100	amps		EHTL2_A
EH.L3	Elec. Heat Amps Leg 3	0 to 100	amps		EHTL3_A
GAS.T	Gas Supply Type	0=NATURAL,1=LP			GASTYPE
GAS.P	Gas Inlet Pressure	0 to 20	in.wc		GASPRESS
HT1.P	Stage 1 Gas Pressure	0 to 20	in.wc		HT1PRESS
HT2.P	Stage 2 Gas Pressure	0 to 20	in.wc		HT2PRESS

### MODE - OUTPUTS

ITEM	EXPANSION	RANGE	UNIT	WRITE STATUS	POINT
<b>OUTPUTS</b>					
GEN	General Outputs Menu				
C.SPD	Commanded IDF Speed	0 to 100	%		FANSPEED
EC.CP	Econo Commanded Position	0 to 100	%	YES	DAMPCMD
RH.1	Liquid Dischg Valve CirA	Enable/Disable			LDV_A
RH.2	Reheat Dischg Valve CirA	Enable/Disable			RDV_A
CCH	CCH Relay 1 State	On/Off			CCHR1
PE.1	Power Exhaust 1 Relay	On/Off		YES	PE1
PE.2	Power Exhaust 2 Relay	On/Off		YES	PE2
ALRM	Alarm Output Relay State	On/Off		YES	ALMOUT
COOL	Cooling Outputs Menu				
C.A1	Circuit A Compressor 1	On/Off			COMP_A1
C.A2	Circuit A Compressor 2	On/Off			COMP_A2
ODFS	Commanded ODF Speed	xxxx	rpm		ODFSPD
OFS1	ODF Speed Signal Output1	0 to 1200	rpm		ODF1SPD
OFS2	ODF Speed Signal Output2	0 to 1200	rpm		ODF2SPD
OFS3	ODF Speed Signal Output3	0 to 1200	rpm		ODF3SPD
HEAT	Heating Outputs Menu				
HT.1	Heat Stage 1 Relay	On/Off			HEAT_1
HT.2	Heat Stage 2 Relay	On/Off			HEAT_2

**APPENDIX C: Navigator™ Display  
MODE - CONFIGURATIONS**

ITEM	EXPANSION	RANGE	UNIT	DEFAULT	POINT
<b>CONFIGURATION</b>					
GEN	General Unit Config Menu				
S.DLY	Unit Startup Delay	10 to 600	sec	30	STARTDLY
U.CTL	Unit Control Type	0=TSTAT, 1=SPACE SEN, 2=RAT SEN		0=TSTAT	CTRLTYPE
T.CTL	Thermostat Hardware Type	0=CONV 2C2H, 1=DIGI 2C2H, 2=CONV 3C2H, 3=DIGI 3C2H		2=CONV 3C2H	STATTYPE
ADST	Tstat Adaptive Staging	Yes/No		Yes	ADPTSTAT
FT.TM	Change Filter Timer	0 to 9999	hours	600	FILT LIFE
T.TO	Test inactivity time out	0=Disabled, 1=30 minutes, 2=1 hour, 3=2 hours, 4=4 hours, 5=8 hours, 6=12 hours		4=4 hours	TEST_ITO
CCH.T	CCH Max Temperature	40 to 90	° F	65	CCHMAXT
STD.P	Std Barometric Pressure	13 to 35	in.Hg	29.92	STD_BARP
L.INC	Linkage Stage inc. time	60 to 600	sec	180	LSTAGINC
MX.SA	Unit's Maximum SAT	130 to 210	° F	200	UMAX_SAT
AC.SL	Auto Clr SAT Limit Fault	Yes/No		No	SATLACLR
ATCS	Adaptive Temp Comp Start	Enable/Disable		Yes	TCS_CFG
TCS.U	User TCS Start bias time	0 to 180	min	0	TCSUBIAS
IOB.E	SIOB 1 Enabled	Yes/No			SIOB1_EN
DIS	DI Config Menu				
FS.SW	Fire Shutdown Switch	0=NORM OPEN, 1=NORM CLSD, 2=NO SWITCH		2: no FIOP 0: FIOP	FIRE_CFG
FIL.C	Filter Status Sw Channel	0=None, 1=MBB DI12, 2=MBB DI13, 3=MBB DI14, 4=MBB DI02, 5=MBB DI04, 6=SIOB DI01		0=None	FILTCHAN
HUM.S	Humidistat Status Channel	0=None, 1=MBB DI12, 2=MBB DI13, 3=MBB DI14, 4=MBB DI02, 5=MBB DI04, 6=SIOB DI01		0=None	HUMDCHAN
HM.SW	Humidistat Switch Type	0=NORM OPEN, 1=NORM CLSD		0=NORM OPEN	HUMD_CFG
FIL.S	Filter Status Sw Type	0=NORM OPEN, 1=NORM CLSD		0=NORM OPEN	FILT_CFG
RO.C	Remote Occupancy Channel	0=None, 1=MBB DI12, 2=MBB DI13, 3=MBB DI14, 4=MBB DI02, 5=MBB DI04, 6=SIOB DI01		0=None	RMOCCHAN
RO.SW	Remote Occupancy Sw Type	0=NORM OPEN, 1=NORM CLSD		0=NORM OPEN	RMOC_CFG
RS.C	Remote Shutdown Channel	0=None, 1=MBB DI12, 2=MBB DI13, 3=MBB DI14, 4=MBB DI02, 5=MBB DI04, 6=SIOB DI01		0=None	ROFFCHAN
RS.SW	Remote Shutdown Sw Type	0=NORM OPEN, 1=NORM CLSD		0=NORM OPEN	ROFF_CFG
RS.AT	Remote Shutdown ALM Type	0=Normal, 1=Emergency		0=Normal	ROFFTYPE
COS.C	COFS Assigned Channel	0=None, 1=MBB DI12, 2=MBB DI13, 3=MBB DI14, 4=MBB DI02, 5=MBB DI04, 6=SIOB DI01		0=None	COFSCHAN
CO.SW	COFS Switch Type	0=NORM OPEN, 1=NORM CLSD		1=NORM CLSD	COFS_CFG
GEN.C	General Status Channel	0=None, 1=MBB DI12, 2=MBB DI13, 3=MBB DI14, 4=MBB DI02, 5=MBB DI04, 6=SIOB DI01		0=None	GEN_CHAN

**APPENDIX C: Navigator™ Display  
MODE - CONFIGURATIONS (cont)**

ITEM	EXPANSION	RANGE	UNIT	DEFAULT	POINT
<i>D/S (count)</i> GN.SW	DI Config Menu General Status Sw Type	0=NORM OPEN, 1=NORM CLSD		0=NORM OPEN	GENS_CFG
GEN.F ENT.C	General Status shutdown? Enthalpy Sw Channel	Yes/No 0=None, 1=MBB DI12, 2=MBB DI13, 3=MBB DI14, 4=MBB DI02, 5=MBB DI04, 6=SIOB DI01		Yes 0=None	GENFATAL ENTHCHAN
ENT.S	Enthalpy Switch Type	0=NORM OPEN, 1=NORM CLSD		0=NORM OPEN	ENTH_CFG
AIS SRH.C	Analog Input Config Menu SPRH Assigned Channel	0=None, 1=MBB AI06, 2=MBB AI07, 3=MBB AI08, 4=SIOB AI10		0=None	SPRHCHAN
SR.4M SR.20 IAQ.C	SPRH Sensor Value at 4mA SPRH Sensor Value at 20mA IAQ Assigned Channel	0 to 100 0 to 100 0=None, 1=MBB AI06, 2=MBB AI07, 3=MBB AI08, 4=SIOB AI10	% % %	0 1 0: no FIOP 1: FIOP	SPRH_4MA SPRH20MA IAQ_CHAN
I.4M I.20M OAQ.C	IAQ Sensor Value at 4mA IAQ Sensor Value at 20mA OAQ Assigned Channel	0 to 5000 0 to 5000 0=None, 1=MBB AI06, 2=MBB AI07, 3=MBB AI08, 4=SIOB AI10	ppm ppm %	0 2000 0=None	IAQ_4MA IAQ_20MA OAQ_CHAN
OQ.4 OQ.20 ORH.C	OAQ Sensor Value at 4mA OAQ Sensor Value at 20mA OARH Assigned Channel	0 to 5000 0 to 5000 0=None, 1=MBB AI06, 2=MBB AI07, 3=MBB AI08, 4=SIOB AI10	ppm ppm %	0 2000 0: no Enthalpy FIOP 3: Enthalpy FIOP	OAQ_4MA OAO_20MA OARHCHAN
OR.4 OR.20 RRH.C	OARH Sensor Value at 4mA OARH Sensor Val. at 20mA RARH Assigned Channel	0 to 100 0 to 100 0=None, 1=MBB AI06, 2=MBB AI07, 3=MBB AI08, 4=SIOB AI10	% % %	0 100 0=None	OARH_4MA OARH20MA RARHCHAN
RR.4 RR.20 OC.CH	RARH Sensor Value at 4mA RARH Sensor Value @ 20mA OACFM Assigned Channel	0 to 100 0 to 100 0=None, 1=MBB AI06, 2=MBB AI07, 3=MBB AI08, 4=SIOB AI10	% % %	0 100 0=None	RARH_4MA RARH20MA OCFMCHAN
OC.4M OC.20	OACFM Sensor Value at 4mA OACFM Sensor Value at 20mA	0 to 100 0 to 100	% %	0 100	OCFM_4MA OCFM20MA
COOL N.STG L.CMP MRTC MOT.C RST.C C.INC TLC SAT.U SAT.L RH.DB HZ.OL FOD.C FBD.T FDSM FDSP FSSM	Cooling Configs Menu Number of Cooling Stages Low Cool Compressor Compressor Min On Time Compressor Min Off Time Runtime to Reset Strikes Cool Stage Increase Time Cooling SAT Trend Level Cool Min SAT Upper Level Cool Min SAT Lower Level Space RH Deadband Humidimizer Lockout Temp Cooling Fan--off Delay Fan Based Dehum Type FBDH SAT Min Value FBDH Low Set Point FBDH SST Min Value	0 to 3 1 to 2 180 to 600 120 to 600 120 to 999 120 to 999 -1 to 1 35.0 to 65.0 35.0 to 65.0 0 -20 to 75 0 to 600 0=NONE, 1=Comfort, 2=Max 35 to 80 -20 to 0 10 to 60	   sec sec sec sec  ° F/min ° F ° F ° F ° F ° F ° F ° F ° F ° F ° F	3 1 300 180 300 450 -0.2 53 (sizes 07-12) 56 (sizes 14-26) 42 (sizes 07-12) 46 (sizes 14-26) 5 40 75 0=None 46 -2.5 32	NUMCSTGS LC_COMP C_MINON C_MINOFF MIN_ON_S CSTAGINC SAT_TLC SATMIN_H SATMIN_L SPRH_DB OATHLHUMZ COOL_FOD FBD_TYPE FBDH_SAT FBDLO_SP FBDH_SST

**APPENDIX C: Navigator™ Display  
MODE - CONFIGURATIONS (cont)**

ITEM	EXPANSION	RANGE	UNIT	DEFAULT	POINT
COOL (cont)	Cooling Configs Menu				
L.AMB	Low Ambient Configs Menu				
CA.LO	Circuit A Lockout Temp	-20 to 75	° F	0: no Economizer FIOF 40: Economizer FIOF	OATLCMPA
LA.T	Low Ambient Temperature	0-80	° F	66	LA_TEMP
LC.LT	Low Cool lockout Temp	-20 to 60	° F	30 (sizes 07-12) 40 (sizes 14-26)	LCLOCKSP
MC.LT	Medium Cool lockout Temp	-20 to 60	° F	20 (sizes 07-12) 30 (sizes 14-26)	MCLOCKSP
LAD1	Low Ambient Dehum Lev 1	40 to 125	° F	80	LAHTEMP1
LAD2	Low Ambient Dehum Lev 2	40 to 125	° F	61	LAHTEMP2
LAD3	Low Ambient Dehum Lev 3	40 to 125	° F	55	LAHTEMP3
LSP1	LA Dehum SDT SP Lev 1	60 to 120	° F	82	LHSDTSP1
LSP2	LA Dehum SDT SP Lev 2	60 to 120	° F	93	LHSDTSP2
3LSP:3	LA Dehum SDT SP Lev 3	60 to 120	° F	104	LHSDTSP3
DIAG	Ref. Charge Diag Config				
NC.LV	Low Refrig Charge Level	0 to 150	psi	50	LOCHARGE
NC.LO	Low Charge Disable Temp	-40 to 50	° F	10	LOCH_LOT
HPL.A	CirA High Pressure Limit	400 to 700	psig	600	HIPLIM_A
SDTL	Low Discharge Level	5 to 20	° F	7	SDTLEV
MN.PR	Minimum pressure ratio	0 to 5	n/a	1.35	MINPSI_R
L.SUC	Low Suct. Diag Config				
SSTO	Suction OK Temperature	10 to 50	° F	18	SSTOK
SST.1	Low Suction Level 1 Temp	10 to 50	° F	20	SSTLEV1
SST.2	Low Suction Level 2 Temp	5 to 50	° F	15	SSTLEV2
SST.3	Low Suction Level 3 Temp	0 to 50	° F	10	SSTLEV3
CK.DL	Delay On Low SST Check	0 to 300	sec	0	SSTCKDLY
TRAN	Comp Trans Diag Config				
L2.DY	Comp level 2 diag delay	1 to 99	sec	15 (sizes 07-12) 40 (sizes 14-26)	CDDTLEV2
UOFF	Diag Comp Unexpected Off	Enable/Disable		Enable	CD_UEOFF
C.STK	Circuit Stuck On Diag.	Enable/Disable		Enable	DCKTOFF
DISA	Min discharge change	0 to 99	psi	11 (sizes 07-12) 17 (sizes 14-26)	MDP_DISA
SUCA	Min Suction change	0 to 99	psi	6.5 (size 07) 8 (size 08) 7 (sizes 09-12) 14 (sizes 14-26)	MDP_SUCA
OF.PR	CirA P:Ratio off change	-1 to 1		-0.2 (sizes 07, 09-14) -0.3 (sizes 08, 17-26)	OFFPR_A
ODF	Outdoor Fans Config Menu				
N.ODF	Number of ODF Outputs	0 to 3		2 (sizes 07,17, or 20) 3 (sizes 08-14, 24-26)	NUM_ODF
OF.LC	ODF Low Cool Speed	0 to 1200	rpm	550 (sizes 07-12) 700 (sizes 14-17, 26) 650 (sizes 20-24)	ODFLCSPD
OF.MC	ODF Med Cool Speed	0 to 1200	rpm	700 (sizes 07, 12, or 24) 600 (size 08) 650 (size 09) 800 (sizes 14,17, or 26) 750 (size 20)	ODFMCSPD
OF.HC	ODF High Cool Speed	0 to 1200	rpm	950 (sizes 07 or 09) 900 (size 08) 1000 (sizes 12-26)	ODFHCSPD
OF.MX	ODF Maximum Speed	0 to 1200	rpm	950 (sizes 07 or 09) 900 (size 08) 1000 (sizes 12-26)	ODFMAXSP
OF.MN	ODF Minimum Speed	0 to 1200	rpm	160	ODFMINS
ADV	ODF Advanced Config Menu				
KC	ODF Gain	-100 to 100		1 (size 07) 2 (sizes 08-12) 1.8 (sizes 14-20) 1.4 (sizes 24-26)	ODF_KC
NI	ODF anti-windup factor	-100 to 100		0.6	ODF_NI
TI	ODF Integral Time	-100 to 100		20 (sizes 07-12) 40 (sizes 14-26)	ODF_TI
BS1	ODF Map Bias Term 1	-200 to 200		66.7 (size 07) -44.55 (sizes 08-12) 10 (sizes 14-20) 72.5 (sizes 24-26)	ODFBIAS1
BS2	ODF Map Bias Term 2	-200 to 200		95.2 (size 07) 80.59 (sizes 08-12) 35.3 (sizes 14-20) 100.98 (sizes 24-26)	ODFBIAS2

**APPENDIX C: Navigator™ Display  
MODE - CONFIGURATIONS (cont)**

ITEM	EXPANSION	RANGE	UNIT	DEFAULT	POINT
ODF (cont)	Outdoor Fans Config Menu				
BS3	ODF Map Bias Term 3	-200 to 200		0 (sizes 07, 14-20) 65.29 (sizes 08-12) 114.74 (sizes 24-26)	ODFBIAS3
PI1	ODF Fan Switch Point 1	-100 to 100		3.68 (size 07) 3.4 (sizes 08-12) 4.84 (sizes 14-20) 1.58 (sizes 24-26)	ODFPIUP1
PI2	ODF Fan Switch Point 2	-100 to 100		17.1 (size 07) 9.06 (sizes 08-12) 22.3 (sizes 14-20) 10.44 (sizes 24-26)	ODFPIUP2
PI3	ODF Fans Switch Point 3	-100 to 100		100 (sizes 07, 14-20) 19.76 (sizes 08-12) 20.93 (sizes 24-26)	ODFPIUP3
PR.KC	ODF Proportional ctrl Pr	-100 to 100		25 (sizes 07-12) 50 (sizes 14-26)	ODFPR_KC
SLP1	ODF Map Slope Term 1	-100 to 100		25.3 (size 07) 60.09 (sizes 08-12) 31 (sizes 14-20) 55.33 (sizes 24-26)	ODFSLPE1
SLP2	ODF Map Slope Term 2	-100 to 100		9 (size 07) 18.69 (sizes 08-12) 9.6 (sizes 14-20) 19.07 (sizes 24-26)	ODFSLPE2
SLP3	ODF Map Slope Term 3	-100 to 100		1 (sizes 07, 14-20) 9.34 (sizes 08-12) 8.85 (sizes 24-26)	ODFSLPE3
HEAT	Heating Config Menu				
HT.TY	Type of Heat Installed	0=ELECTRIC, 1=GAS		0 (50 series) 1 (48 series)	HEATTYPE
N.HTR	Number of Heating Stages	0 to 2		2 (all except below); 0 (50 series without FIOP heat) 1 (50 series, sizes 07-14 and low heat) 1 (50 series, sizes 07-12 and medium heat)	NUMHSTGS
HMRT	Heat Minimum On Time	60 to 600	sec	120	H_MINON
HMOT	Heat Minimum Off Time	60 to 600	sec	120	H_MINOFF
H.INC	Heat Stage Increase Time	120 to 999	sec	450	HSTAGINC
TLH	Heating SAT Trend Level	-1 to 1	^F/min	0.2	SAT_TLH
SAM.L	Heat Max SAT Lower Level	85 to 200	°F	140	SATMAX_L
SAM.U	Heat Max SAT Upper Level	85 to 200	°F	160	SATMAX_H
H.FOD	Heating Fan-off Delay	10 to 600	sec	30 (50 series) 45 (48 series)	HEAT_FOD
HT.LO	Heating Lockout Temp	40 to 125	°F	75	OATLHEAT
SAT.H	SAT Heat Mode Sensing	Enable/Disable		Disable	SAT_HEAT
N.IFO	No IGC IFO input Timeout	0 to 60	min	5	NO_IGCTM
PREH	Pre-Heat HX without IDF?	Enable/Disable		Disable	PREHT_HX
PH.DY	Pre-Heat Fan On Delay	0 to 120	sec	30	PREHT_TM
SA.EN	Supply Air Tempering Enable	Yes/No		Yes	SATEMPEN
SA.SP	SA Tempering Set Point	xx	°F	50	SATEMPSP
OATS	Max OAT for SA Tempering	-40 to 125	°F	48	OATSTEMP
I.FAN	Indoor Fan Config Menu				
OC.FN	Fan On When Occupied	Yes/No		Yes	FANON_OC
IDFF	Shut Down on IDF Failure	Yes/No		Yes	FATALFAN
S.MIN	IDF Min RPM SP	xxxx	RPM	0	RPMMINSP
S.MAX	IDF Max RPM SP	xxxx	RPM	0	RPMMAXSP
FS.LC	Low Cooling IDF Speed	20-100	%	67 (sizes 07-12) 53 (sizes 14 or 20) 56 (size 17) 52 (size 24) 60 (size 26)	FSPD_LCL
FS.FC	Free Cooling IDF Speed	0-100	%	67 (sizes 07-12) 53 (sizes 14 or 20) 56 (size 17) 52 (size 24) 60 (size 26)	FSPD_FCL
FS.HC	High Cooling IDF Speed	20-100	%	100	FSPD_HCL
S.HT	IDF Heat RPM SP	xxxx	RPM	0	RPM_HEAT
S.VNT	IDF Vent RPM SP	xxxx	RPM	0	RPM_VENT
C.LOP	IDF curve PWM min	0-100	%	0	IFMLOPWM
C.HIP	IDF curve PWM max	0-100	%	0	IFMHIPWM
C.LOR	IDF curve RPM min	xxxx	RPM	0	IFMLORPM
C.HIR	IDF curve RPM max	xxxx	RPM	0	IFMHIRPM

**APPENDIX C: Navigator™ Display  
MODE - CONFIGURATIONS (cont)**

ITEM	EXPANSION	RANGE	UNIT	DEFAULT	POINT
ECON	Economizer Config Menu				
EC.EN	Economizer Installed?	Yes/No		No: no FIOP Yes: FIOP	ECONO
EC.MX	Econ Max Damper Position	0 to 100	%	100	DAMPMAX
E.TRV	Economizer Travel Time	5 to 300	sec	150	ECONOTRV
MIN.P	Min Position Config Menu				
MP.MX	Econ Min at Max Fanspeed	0 to 100	%	30	MINP_MAX
MPS1	Min Pos – User Speed 1	0 to 100	%	0	MP_USPD1
MPD1	Min Pos – User Pos 1	0 to 100	%	0	MP_UPOS1
MPS2	Min Pos – User Speed 2	0 to 100	%	0	MP_USPD2
MPD2	Min Pos – User Pos 2	0 to 100	%	0	MP_UPOS2
MPS3	Min Pos – User Speed 3	0 to 100	%	0	MP_USPD3
MPD3	Min Pos – User Pos 3	0 to 100	%	0	MP_UPOS3
FC	Free Cooling Config Menu				
LCSP	Low Free Cool SAT Setpnt	40 to 80	° F	65	LCSASP
HCSP	High FreeCool SAT Setpnt	40 to 80	° F	55	HCSASP
FC.MX	Free Cooling Max OAT	0 to 90	° F	65	MAXFREET
FC.MN	Free Cooling Min Temp	-30 to 70	° F	0	MINFREET
DF.DB	Diff. Dry Bulb Control	Enable/Disable		Disable	DIFFBULB
DB.DB	Diff. Dry Bulb Deadband	0 to 20	° F	3	OATRATDB
EN.MX	Max Enthalpy OA limit	1 to 99	Btu/lb	28	FREEMAXE
DF.EN	Diff. Enthalpy Control	Enable/Disable		Disable	DIFFENTH
EN.DB	Enthalpy Cross Deadband	0 to 20	Btu/lb	2	OAERAEDB
EC.P	Economizer PID – kP	0.00 to 99.90		2.5	ECONO_P
EC.I	Economizer PID – kI	0.00 to 99.90		0.12	ECONO_I
EC.D	Economizer PID – kD	0.00 to 99.90		1	ECONO_D
EC.DT	Economizer PID – rate	10 to 180	sec	15	ECONO_DT
UFC	UOCC Free CL Config Menu				
UEFC	When to Unocc Free Cool?	0=Disabled, 1=PreOcc, 2=Unocc		1=PreOcc	UFC_CFG
UFC.T	UFC PreOcc Time	1 to 999	min	120	UFCTIME
UFC.L	Unocc Free Cool Low Temp	-30 to 70	° F	50	OATLUFC
PE	Power Exhaust Configs				
PE1.C	PE1 Relay Channel	0=NONE, 1=MBB RLY11, 2=MBB RLY06		0: no FIOP 2: FIOP	PE1_CHAN
PE1.P	PE Stage 1 at Max speed	0 to 100	%	40	PE1_PMAX
PE.DB	PE Turn Off Dead band	0 to 100	%	5	PE_OFFDB
PE2.C	PE2 Relay Channel	0=NONE, 1=MBB RLY11, 2=MBB RLY06		0=None	PE2_CHAN
PE2.P	PE Stage 2 at max speed	0 to 100	%	75	PE2_PMAX
EC.DD	Econ Act Mech Disc Diag				
HCDY	T24 Heat/Cool End Delay	0 to 60	min	25	T24CHDLY
M.SAT	T24Econ Min Move for SAT	10 to 20	%	10	T24ECSTS
SA.DB	Damper SAT deadband	0 to 20	° F	12	T24SATDB
RA.OA	T24 Min Diff in RAT – OAT	5 to 20	° F	15	T24RATDF
MIN.P	T24 Test Minimum Pos	0 to 100	%	15	T24TSTMN
MAX.P	T24 Test Maximum Pos	0 to 100	%	85	T24TSTMX
AIR.Q	Air Quality Config Menu				
IA.CF	Analog Input IAQ Control	0=NO IAQ, 1=DCV, 2=IAQ OVRD, 3=CTRL MINP		0: no FIOP 1: FIOP	IAQANCFG
AQ.MN	IAQ Position at Max Fan	0 to 100	%	10	IAQMINP
AQD.L	AQ Differential Low	0 to 5000	ppm	100	DAQ_LOW
AQD.H	AQ Differential High	0 to 5000	ppm	700	DAQ_HIGH
PPEN	IAQ Preoccupancy Purge	Yes/No		Yes	IAQPURGE
PPOS	IAQ Purge Pos at Max IDF	0 to 100	%	40	IAQPMAX
PPLO	Preocc Purge Lockout OAT	0 to 70	° F	50	IAQP_LA
PRDR	Preocc Purge Duration	5 to 120	min	15	IAQPTIME

**APPENDIX C: Navigator™ Display  
MODE - CONFIGURATIONS (cont)**

ITEM	EXPANSION	RANGE	UNIT	DEFAULT	POINT
ALM.O	Alarm Relay Config Menu				
ALM.C	ALM Relay Assigned Chan	0=NONE, 1=MBB RLY11, 2=MBB RLY06		1=MBB RLY11	ALM_CHAN
A.TST	Thermostat Alerts	Yes/No		Yes	TSTAT_AL
A.HW	Hardware failures Alerts	Yes/No		Yes	HW_AL
A.SRT	SAT/RAT Sensor Alerts	Yes/No		Yes	SATRATAL
A.OAT	OAT Thermistor Alerts	Yes/No		Yes	OATRL_AL
A.SPT	Space Sensors Alerts	Yes/No		Yes	SPACE_AL
A.TRN	Transducer Sensor Alerts	Yes/No		Yes	TRANS_AL
A.RH	RH sensor failure Alert	Yes/No		Yes	RHS_AL
A.CO2	Air Quality CO2 Alerts	Yes/No		Yes	CO2S_AL
A.OAC	OACFM Alarm Relay	Yes/No		Yes	OACFM_AL
A.ECO	Economizer Alerts	Yes/No		Yes	ECON_AL
A.FIL	Dirty Filter Alerts	Yes/No		Yes	FILT_AL
A.GEN	General Status Alerts	Yes/No		Yes	GENS_AL
A.CKT	Refrig Circuit Alerts	Yes/No		Yes	CKT_AL
A.CMP	Compressor Alerts	Yes/No		Yes	COMP_AL
A.HT	Heating failure Alerts	Yes/No		Yes	HEAT_AL
A.FAN	Indoor Fan Alerts	Yes/No		Yes	FAN_AL
A.IOB	Relay On Active IOBA	Yes/No		Yes	IOBFA_AL
A.FAU	Relay on Active Faults	Yes/No		Yes	FAULT_AL
CAL	Calibration Menu				
T.OAT	OAT Sensor Trim Offset	-10 to 10	° F	0	OAT_TRIM
T.RAT	RAT Sensor Trim Offset	-30 to 30	° F	0	RAT_TRIM
T.FST	FST Sensor Trim Offset	-10 to 10	° F	0	FST_TRIM
T.SPT	SPT Sensor Trim Offset	-30 to 30	° F	0	SPT_TRIM
T.STO	SPTO Sensor Trim Offset	-1 to 1	° F	0	SPTOTRIM
T.SRH	SPRH Sensor Trim Offset	-15 to 15	%	0	SPRHTRIM
T.IAQ	IAQ sensor Trim Offset	-200 to 200	ppm	0	IAQ_TRIM
T.OAQ	OAQ Sensor Trim Offset	-200 to 200	ppm	0	OAQ_TRIM
T.ORH	OARH Sensor Trim Offset	-15 to 15	%	0	OARHTRIM
T.RRH	RARH Sensor Trim Offset	-15 to 15	%	0	RARHTRIM
T.SPA	Cir.A SSP Sensor Trim	-50 to 50	psig	0	SSPATRIM
T.DPA	Cir.A SDP Sensor Trim	-50 to 50	psig	0	SDPATRIM
T.ECO	Econ Fdbck Trim Offset	-15 to 15	%	0	EC1DTRIM
OCFT	OACFM Sensor Trim Offset	-10 to 10	° F	0	OCFMTRIM
NET	Building Net Config Menu				
BAS	BAS Protocol Select	0=NONE, 1=CCN, 2=BACNET		0=NONE	BMS_CFG
NW.TO	Network Input Timeout	0 to 600	min	30	NETINTO
CCN	CCN Network Config Menu				
CCN.B	CCN Bus Number	0 to 239		0	CCNBUS
CCN.A	CCN Element Number	1 to 239		1	CCNADD
BAUD	CCN Baud Rate	0=9600, 1=19200, 2=38400		2	BAUDENUM
B.ACK	CCN Broadcast Ack'er	Yes/No		No	CCNBCACK
B.GS	Global Schedule Broadcast	Yes/No		No	CCN_GSBC
B.TIM	CCN Time Broadcast	Yes/No		No	CCNBC
B.OAT	Broadcast OAT On Network	Yes/No		No	OATBC
B.ORH	Broadcast OARH On Netwrk	Yes/No		No	OARHBC
B.OAQ	Broadcast OAQ On Network	Yes/No		No	OAQBC
B.IAQ	Broadcast IAQ On Network	Yes/No		No	IAQBC
DEV.L	Device Location	text string		<blank>	DEV_LOC
REF.N	Reference number	text string		<blank>	REF_NUM
BNET	BACnet Config menu				
MAC	BACnet Device Macaddress	1 to 127		01	BAC_MAC
BAUD	BACnet BMS baud rate	0=9600, 1=19200, 2=38400, 3=57600, 4=76800, 5=115200		4=76800	BAC_BAUD
AUID	ALC Auto Id Scheme	Yes/No		Yes	AUID
B.AID	BACnet ID Auto ID	Yes/No		Yes	BAC_AUID
ID	BACnet ID Number	0 to 4194302		1610101	BAC_ID



**APPENDIX C: Navigator™ Display  
MODE - CONFIGURATIONS (cont)**

ITEM	EXPANSION	RANGE	UNIT	DEFAULT	POINT
NET (cont)	Building Net Config Menu				
SYST	System Touch Menu				
D.ST	System Touch Device Inst	0 to 4194303		160099	DEVST
ST.PL	System Touch Poll Rate	10 to 60	sec	10	POLLST
AI.ST	System Touch AI for SPT	0 to 9999		1	AISTSP
AI.SR	System Touch AI for SPRH	0 to 9999		4	AISTSPRH
LINK	LINKAGE SETTINGS MENU				
D.IAQ	BACnet device for IAQ	0 to 4194303		1610100	DEVIAQ
O.IAQ	Object instance for IAQ	0 to 9999		1009	OBJIAQ
C.IAQ	Change of value for IAQ	0 to 60		0	COVIAQ
D.OAQ	BACnet device for OAQ	0 to 4194303		1610100	DEVOAQ
O.OAQ	Object instance for OAQ	0 to 9999		285	OBJOAO
C.OAQ	Change of value for OAQ	0 to 60		0	COVOAQ
D.ORH	BACnet device for OARH	0 to 4194303		1610100	DEVOARH
O.ORH	Object instance for OARH	0 to 9999		1022	OBJOARH
C.ORH	Change of value for OARH	0 to 60		0	COVOARH
D.OAT	BACnet device for OAT	0 to 4194303		1610100	DEVOAT
O.OAT	Object instance for OAT	0 to 9999		1003	OBJOAT
C.OAT	Change of value for OAT	0 to 60		0	COVOAT
D.RRH	BACnet device for RARH	0 to 4194303		1610100	DEVRRH
O.RRH	Object instance for RARH	0 to 9999		30	OBJRRH
C.RRH	Change of value for RARH	0 to 60		0	COVRRH
D.RAT	BACnet device for RAT	0 to 4194303		1610100	DEVRRAT
O.RAT	Object instance for RAT	0 to 9999		1010	OBJRAT
C.RAT	Change of value for RAT	0 to 60		0	COVRAT
D.SPT	BACnet device for SPT	0 to 4194303		1610100	DEVSPT
O.SPT	Object instance for SPT	0 to 9999		2007	OBJSPT
C.SPT	Change of value for SPT	0 to 60		0	COVSPT
LCLS	Allow Local Sched Edit	Yes/No		No	LCL_EDIT
ZSSC	ZS Sensor Configuration				
Z1.AD	Zone Sensor 1 Address	0 to 255		255	ZSADDR1
Z2.AD	Zone Sensor 2 Address	0 to 255		255	ZSADDR2
Z3.AD	Zone sensor 3 address	0 to 255		255	ZSADDR3
Z4.AD	Zone sensor 4 address	0 to 255		255	ZSADDR4
Z5.AD	Zone sensor 5 address	0 to 255		255	ZSADDR5
Z.PR	Zone sensor poll rate	1 to 100	sec	5	ZSPOLLRT
Z.UT	Zone sensor unit	0=degree F		0=degree F	ZSUNIT
Z.FUE	ZS Force Unoccup enable	No		No	ZSFUNEN
Z.FUD	ZS Force unocc wt delay	No		No	ZSTLSOC
Z.TCE	ZS TLO Cont Enable	No		No	ZSTLOEN
Z.TSO	ZS TLO set during occ	No		No	ZSTLSOC
Z.UIM	Zone sensor UI Mode	1=Dual Offsets		1=Dual Offsets	ZSUIM
DISP	User Display Config Menu				
METR	Metric Display	Yes/No		No	DISPUNIT
LANG	Display Language Select	0=English		0=English	LANGUAGE
PROT	User Password Protection	Enable/Disable		Enable	PASS_EBL
PSWD	User Password	0 to 9999		1111	PASSWORD

**APPENDIX C: Navigator™ Display  
MODE - TIME CLOCK**

ITEM	EXPANSION	RANGE	UNIT	DEFAULT	POINT
<b>TIME CLOCK</b>					
TIME	Clock Hour and Minute	xx:xx	hh.mm		
MNTH	Month of Year	1=JANUARY, 2=FEBRUARY, 3=MARCH, 4=APRIL, 5=MAY, 6=JUNE, 7=JULY, 8=AUGUST, 9=SEPTEMBER, 10=OCTOBER, 11=NOVEMBER, 12=DECEMBER			MOY
DOM	Day Of month	1 to 31			DOM
YEAR	Year	2000 to 9999			YOC_DISP
DAY	Day Of week	1=MONDAY, 2=TUESDAY, 3=WEDNESDAY, 4=THURSDAY, 5=FRIDAY, 6=SATURDAY, 7=SUNDAY			dow
DSTA	DST currently active	Yes/No			DST_ACTV
DST	Daylight Savings Config				
DST	DST allowed?	Enable/Disable		Enable	DST_CFG
STR.M	DST Start Month	1=JANUARY, 2=FEBRUARY, 3=MARCH, 4=APRIL, 5=MAY, 6=JUNE, 7=JULY, 8=AUGUST, 9=SEPTEMBER, 10=OCTOBER, 11=NOVEMBER, 12=DECEMBER		3	STARTM
STR.W	DST Start Week	1 to 5		2	STARTW
STR.D	DST Start Day	1=MONDAY, 2=TUESDAY, 3=WEDNESDAY, 4=THURSDAY, 5=FRIDAY, 6=SATURDAY, 7=SUNDAY		7	STARTD
M.ADD	DST Minutes to Add	0 to 90	min	60	MINADD
STPM	DST Stop Month	1=JANUARY, 2=FEBRUARY, 3=MARCH, 4=APRIL, 5=MAY, 6=JUNE, 7=JULY, 8=AUGUST, 9=SEPTEMBER, 10=OCTOBER, 11=NOVEMBER, 12=DECEMBER		11	STOPM
STPW	DST Stop Week	1 to 5		1	STOPW
STPD	DST Stop Day	1=MONDAY, 2=TUESDAY, 3=WEDNESDAY, 4=THURSDAY, 5=FRIDAY, 6=SATURDAY, 7=SUNDAY		7	STOPD
M.SUB	DST Minutes to Subtract	0 to 90	min	60	MINSUB
TOD	Time in day to start DST	0 to 600	min	120	DST_TOD
SCHD	Schedules Adjust Menu				
SCH.N	CCN Schedule Number	0 = Always Occupied, 1-64 = Local Schedule, 65-99 = Global Schedule	n/a	0	SCHEDNUM
OV.TL	Timed Override Duration	0 to 4	hours	4	OTL_CFG
MON	Mon Schedule Adjust Menu				
OC.x	Monday Occupied x	00:00 to 24:00 or None	HH:MM	None	MO_OC1 – MO_OC8
UOC.x	Monday Unoccupied x	00:00 to 24:00 or None	HH:MM	None	MO_UNOC1 – MO_UNOC8

**APPENDIX C: Navigator™ Display  
MODE - TIME CLOCK (cont)**

ITEM	EXPANSION	RANGE	UNIT	DEFAULT	POINT
<i>SCHD (cont)</i>	Schedules Adjust Menu				
TUE	Tue Schedule Adjust Menu				
OC.x	Tuesday Occupied x	00:00 to 24:00 or None	HH:MM	None	TU_OC1 – TU_OC8
UOC.x	Tuesday Unoccupied x	00:00 to 24:00 or None	HH:MM	None	TU_UNOC1 – TU_UNOC8
WED	Wed Schedule Adjust Menu				
OC.x	Wednesday Occupied x	00:00 to 24:00 or None	HH:MM	None	WE_OC1 – WE_OC8
UOC.x	Wednesday Unoccupied x	00:00 to 24:00 or None	HH:MM	None	WE_UNOC1 – WE_UNOC8
THU	Thu Schedule Adjust Menu				
OC.x	Thursday Occupied x	00:00 to 24:00 or None	HH:MM	None	TH_OC1 – TH_OC8
UOC.x	Thursday Unoccupied x	00:00 to 24:00 or None	HH:MM	None	TH_UNOC1 – TH_UNOC8
FRI	Fri Schedule Adjust Menu				
OC.x	Friday Occupied x	00:00 to 24:00 or None	HH:MM	None	FR_OC1 – FR_OC8
UOC.x	Friday Unoccupied x	00:00 to 24:00 or None	HH:MM	None	FR_UNOC1 – FR_UNOC8
SAT	Sat Schedule Adjust Menu				
OC.x	Saturday Occupied x	00:00 to 24:00 or None	HH:MM	None	SA_OC1 – SA_OC8
UOC.x	Saturday Unoccupied x	00:00 to 24:00 or None	HH:MM	None	SA_UNOC1 – SA_UNOC8
SUN	Sun Schedule Adjust Menu				
OC.x	Sunday Occupied x	00:00 to 24:00 or None	HH:MM	None	SU_OC1 – SU_OC8
UOC.x	Sunday Unoccupied x	00:00 to 24:00 or None	HH:MM	None	SU_UNOC1 – SU_UNOC8
HOL	Hol Schedule Adjust Menu				
OC.x	Holiday Occupied x	00:00 to 24:00 or None	HH:MM	None	HD_OC1 – HD_OC8
UOC.x	Holiday Unoccupied x	00:00 to 24:00 or None	HH:MM	None	HD_UNOC1 – HD_UNOC8
(repeat up to x=8 Periods)					
HLDY	Holiday adjustment Menu				
HOL.G	Accept Global Holidays?	Yes/No		No	HOLIDAYT
HL.TY	Today Is A Holiday	Yes/No			HOLTODAY
HL.TW	Tomorrow Is A Holiday	Yes/No			HOL_TMRW
HO.xx	Holiday adjustment Menu				
LEN	Holiday Duration (days)	0 to 99		0	HD01LEN – HD30LEN
DAY	Holiday Start Day	0 to 31		0	HD01STDY – HD30STDY
MON	Holiday Start Month	0 to 12 = January to December		0	HD01STMN – HD30STMN
(repeat up to xx=30 Holidays)					

**APPENDIX C: Navigator™ Display**  
**MODE - OPERATING MODES**

ITEM	EXPANSION	RANGE	UNIT	WRITE STATUS	POINT
<b>OPERATING MODES</b>					
MODE	Operating Mode	see Appendix B			MODETEXT
SUBM	Operating Sub-Mode	see Appendix B			SUBMTEXT
S.DMD	System Demand	see Appendix B			SYS_DMDT
LINK	Linkage Active	Yes/No		Yes	LNK_ACT
EFF.C	Cool Setpoint In Effect	xx.x	° F		CSP_EFF
EFF.H	Heat Setpoint In Effect	xx.x	° F		HSP_EFF
T.EFF	Effective Demand Temp	xxx.x	° F		TEMP_EFF
RH.OS	Occupied SPRH Setpoint	0 to 100	%		SPRH_OSP
RH.US	Unoccupied SPRH Setpoint	0 to 100	%		SPRH_USP
CLTG	Cool Mode Select T.guard	xxx	sec		COOLMSTG
HTTG	Heat Mode Select T.guard	xxx	sec		HEATMSTG
DMD.C	Space Cooling Demand	xx.x	° F		COOL_DMD
TRD.C	Cooling Demand Trend	xx.x	^ F/min		CLDTREND
DMD.H	Heating Space Demand	xx.x	° F		HEAT_DMD
TRD.H	Heat Space Demand Trend	xx.x	^ F/min		HTDTREND
DMD.S					
CDLO	Cool Demand Limiting	Off/On			CDMLMOFF
HDLO	Heat Demand Limiting	Off/On			HDMLMOFF
CDML	Cool demand Limit Level	0 to 3			CDMDLLEV
HDML	Heat demand Limit Level	0 to 3			HDMDLLEV
CL.DO	Cool Demand limit offset	xx.x			COOLDLMO
HT.DO	Heat Demand Limit offset	xx.x	° F		HEATDLMO

**MODE - ALARMS**

ITEM	EXPANSION	RANGE	WRITE STATUS	POINT
<b>ALARMS</b>				
CURR alarm# (repeat up to 25 times)	Curr Active Alarm Menu text string			ALARM01C – ALARM25C
HIST alarm# (repeat up to 50 times)	History Menu alarm# – mm/dd/yy–hh.mm– text string			ALHIS001 – ALHIS050
R.CUR	Reset All Current Alarms	Yes/No	Yes	ALRESET
R.HIS ARxx (repeat up to 20 times)	Alarm Reset History Menu mm/dd/yy, hh:mm:ss			ALMRES00 – ALMRES19

**APPENDIX D: SystemVu™ Controller CCN Tables**  
**Status Display Tables**

Table	Display Name	Range	Units	Point Name	Write Status	
UINPUT	Supply Air Temperature	xxx..x	° F	SAT		
	Outdoor Air Temperature	xxx.x	° F	OAT	Forcible	
	Return Air Temperature	xxx.x	° F	RAT	Forcible	
	Space Temperature	xxx.x	° F	SPACE_T	Forcible	
	Space Temperature Offset	xx.x	° F	SPTO	Forcible	
	Fan Supply Air Temp	xxx.x	° F	FST		
	Cir.A Sat.Suction Temp	xxx.x	° F	SST_A		
	Cir.A Sat.Discharge Temp	xxx.x	° F	SDT_A		
	Cir.A Suction Pressure	xxx.x	psig	SSP_A		
	Cir.A Discharge Pressure	xxx.x	psig	SDP_A		
	Thermostat G Input	On/Off		G	Forcible	
	Thermostat Y1 Input	On/Off		Y1	Forcible	
	Thermostat Y2 Input	On/Off		Y2	Forcible	
	Thermostat Y3 Input	On/Off		Y3	Forcible	
	Thermostat W1 Input	On/Off		W1	Forcible	
	Thermostat W2 Input	On/Off		W2	Forcible	
	Humidistat I/P	On/Off		HUMDSTAT	Forcible	
	IGC Fan On Request (IFO)	On/Off		IGC_IFO		
	Cir.A High Pressure Sw	Open/Close		CIRA_HPS		
	Fire Shutdown Switch	Alarm/Normal		FIREDOWN	Forcible	
	COFS Switch State	High/Low		COFS	Forcible	
	Filter Status Switch	Dirty/Clean		FILTSTAT	Forcible	
	Remote Occupancy Switch	On/Off		REMOCC	Forcible	
	Remote Shutdown Switch	On/Off		REMSHUT	Forcible	
	General Status Switch	Alarm/Normal		GENSTAT	Forcible	
	Enthalpy Switch	High/Low		ENTH_SW	Forcible	
	Econo Actual Position	0 to 100	%	DAMPPOS	Forcible	
	OA Relative Humidity	0 to 100	%	OARH	Forcible	
	RA Relative Humidity	0 to 100	%	RARH	Forcible	
	Indoor Air Quality Level	xxxx	ppm	IAQ	Forcible	
	OA Quality Level	xxxx	ppm	OAQ	Forcible	
	Space RH	0 to 100	%	SPRH	Forcible	
	Outdoor Air in CFM	xxxx	cfm,	OACFM	Forcible	
	Phase Monitor Switch			PMR_STAT		
	UOUTPUT	Commanded IDF Speed	0 to 100	%	FANSPEED	
		Econo Commanded Position	0 to 100	%	DAMPAMD	Forcible
		CCH Relay 1 State	On/Off		CCHR1	
		Power Exhaust 1 Relay	On/Off		PE1	Forcible
		Power Exhaust 2 Relay	On/Off		PE2	Forcible
		Alarm Output Relay State	On/Off		ALMOUT	Forcible
		Circuit A Compressor 1	On/Off		COMP_A1	
		Circuit A Compressor 2	On/Off		COMP_A2	
		Circuit A CMP A1 Loader	On/Off		COMP_ALD	
Commanded ODF Speed		xxxx	rpm	ODFSPD		
ODF Speed Signal Output1		xxxx	rpm	ODF1SPD		
ODF Speed Signal Output2		xxxx	rpm	ODF2SPD		
ODF Speed Signal Output3		xxxx	rpm	ODF3SPD		
Heat Stage 1 Relay		On/Off		HEAT_1		
Heat Stage 2 Relay		On/Off		HEAT_2		
Liquid Dischg Valve CirA		Enable/Disable		LDV_A		
Reheat Dischg Valve CirA		Enable/Disable		RDV_A		
Reheat Liquid Valve CirA		Enable/Disable		RDV_A		
Cooling Liq Valve CirA		Enable/Disable		CLV_A		
DD IDF high speed relay		On/Off		FSPDHRLY		
DD IDF med. Speed relay		On/Off		FSPDMRLY		
DD IDF low speed relay		On/Off		FSPDLRLY		
GENDISP	Circuit A Pressure Ratio	xx.xx		CIRA_PR		
	Barometric Pressure	xx.xx	in.Hg	BARP	Forcible	
	Filter hour remaining	xxxx	hours	FILTLEFT		
	Reset Filter Timer	Yes/No		RESETFLT	Writable	
	Outdoor Air Enthalpy	xxx.x	Btu/lb	OA_ENTH	Forcible	
	Return Air Enthalpy	xxx.x	Btu/lb	RA_ENTH	Forcible	

**APPENDIX D: SystemVu™ Controller CCN Tables**  
**Status Display Tables (cont)**

Table	Display Name	Range	Units	Point Name	Write Status
GENDISP (cont)	Differential Air Quality	xxxx	PPM	AQ_DIFF	
	DST currently active	Yes/No		DST_ACTV	
	Network OAT Value	xxx.x	° F	OAT_NET	Forcible
	Network Return Air Temp	xxx.x	° F	RAT_NET	Forcible
	Network Space Temp Value	xxx.x	° F	SPT_NET	Forcible
	Network SPRH Value	0 to 100	%	SPRH_NET	Forcible
	Network OARH Value	0 to 100	%	OARH_NET	Forcible
	Network RARH Value	0 to 100	%	RARH_NET	Forcible
	Network IAQ Value	xxxx	ppm	IAQ_NET	Forcible
	Network OAQ Value	xxxx	ppm	OAQ_NET	Forcible
Network OACFM Value	xxx.x	cfm	OACFM_NET	Forcible	
MODEDISP	System Mode	see Appendix B		SYSMODE	
	Running Mode Operation	see Appendix B		SUB_MODE	
	Ventilation Status	see Appendix B		VENTSTAT	
	System Demand	0 to 99		SYS_DMD	
	Currently Occupied	Yes/No		OCCUPIED	Forcible
	Linkage Active	Yes/No		LNK_ACT	Forcible
	Unocc Free Cool Active	Yes/No		UFC_ACT	
	Temp Compensate Start On	Yes/No		TCS_ACT	
	Cool Setpoint In Effect	xx.x	° F	CSP_EFF	
	Heat Setpoint In Effect	xx.x	° F	HSP_EFF	
	Effective Demand Temp	xxx.x	° F	TEMP_EFF	
	CoolDemandLimiting Off	0 to 1		CDMLMOFF	
	Cool Demand limit offset	0 to 99	° F	COOLDLMO	
	HeatDemandLimiting Off	0 to 1		HDMLMOFF	
	Heat Demand Limit offset	0 to 99	° F	HEATDLMO	
Cool demand Limit Level	0 to 3		CDMDLLEV		
Heat demand Limit Level	0 to 3		HDMDLLEV		
IDF_DISP	IDF Commanded RPM	0 to 100	RPM	FSPD_RPM	
	Commanded IDF Speed	0 to 100	%	FANSPEED	
	IDF Min RPM SP	xxxx	RPM	RPMMINSP	
	IDF Minimum Fan Speed		%	SPEEDMIN	
	IDF Vent RPM SP	xxxx	RPM	RPM_VENT	
	Ventilation Only IDF Spd	0 to 100	%	FSPDVENT	
	IDF Heat RPM SP	xxxx	RPM	RPM_HEAT	
	Heating IDF Speed	20 to 100	%	FSPD_HT	
	IDF Free Cool RPM SP	xxxx	RPM	RPM_FCL	
	Free Cooling IDF Speed	0 to 100	%	FSPD_FCL	
	IDF Low Cool RPM SP	xxxx	RPM	RPM_LCL	
	Low Cooling IDF Speed	20 to 100	%	FSPD_LCL	
	IDF High Cool RPM SP	xxxx	RPM	RPM_HCL	
	High Cooling IDF Speed	20 to 100	%	FSPD_HCL	
	IDF Max RPM SP	xxxx	RPM	RPM_MAXSP	
	IDF Maximum Fan Speed	80 to 100	%	SPEEDMAX	
Fan Status Switch			FAN_STAT		
IDF Manual Limit Switch			IDF_LSM		
COOLDISP	OK to Use Free Cooling?	Yes/No		OKFREECL	
	Free Cooling active	Yes/No		FREECOOL	
	Free Cooling SAT Setprt	xx.x	° F	FC_SATSP	
	Econo Commanded Position	0 to 100	%	DAMPCMD	Forcible
	Commanded IDF Speed	0 to 100	%	FANSPEED	
	Ok to use compressors?	Yes/No		OKMECHCL	
	Mechanical Cool active?	Yes/No		MECHCOOL	
	Max Allowed Cool Stages	0 to 3		MAXCSTGS	Forcible
	Requested Cooling Stages	0 to 3		REQCSTGS	
	Actual Cool Stage Active	x		ACTCSTGS	
	Circuit A Compressor 1	On/Off		COMP_A1	
	Circuit A Compressor 2	On/Off		COMP_A2	
	Circuit A CMP A1 Loader	On/Off		COMP_ALD	

**APPENDIX D: SystemVu™ Controller CCN Tables**  
**Status Display Tables (cont)**

Table	Display Name	Range	Units	Point Name	Write Status
COOLDISP (cont)	Compressor A1 Timeguard	xxx	sec	TIMGD_A1	Forcible
	Compressor A2 Timeguard	xxx	sec	TIMGD_A2	
	cmp Loader Timeguard	xxx	sec	TIMG_ALD	
	OK to use humidimizer	Yes/No		OKTOHUMZ	
	Requested Dehum Level	0 to 2		REQDHLEV	
	Req Compr DehumStgs	0 to 3	rpm	REQDSTGS	
	Cir.A Sat.Discharge Temp	xxx.x	° F	SDT_A	
	Cir.A Sat.Suction Temp	xxx.x	° F	SST_A	
	Cir.A Discharge Pressure	xxx.x	psig	SDP_A	
	Cir.A Suction Pressure	xxx.x	psig	SSP_A	
	Circuit A Pressure Ratio	xx.xx		CIRA_PR	
	Cir.A High Pressure Sw	Open/Close		CIRA_HPS	
	Supply Air Temperature	xxx..x	° F	SAT	
	Outdoor Air Temperature	xxx.x	° F	OAT	
	Commanded ODF Speed	xxxx	RPM	ODFSPD	
	ODF State			ODFSTATE	
Outdoor Fan Relay			OFR		
HEATDISP	OK to Run Heat	Yes/No		OKTOHEAT	Forcible
	OK to SupplyAirTempering	Yes/No		OKTOTEMP	
	IGC Fan On Request (IFO)	On/Off		IGC_IFO	
	IDF Commanded RPM		RPM	FSPD_RPM	
	Max Allowed Heat Stages	0 to 2		MAXHSTGS	
	Requested Heating Stages	0 to 2		REQHSTGS	
	Actual Heat Stage Active	x		ACTHSTGS	
	Heat Stage 1 Relay	On/Off		HEAT_1	
	Heat Stage 2 Relay	On/Off		HEAT_2	
	Heat Stage 1 Timeguard	xxx	sec	TIMGD_H1	
	Heat Stage 2 Timeguard	xxx	sec	TIMGD_H2	
VENTDISP	Ventilation Status	see Appendix B		VENTSTAT	Forcible
	Ventilation Status	see Appendix B		VENTTEXT	
	Min Position in Effect	0 to 100	%	MIN_POS	
	In Pre–Occupancy Purge?	Yes/No		PREOCCON	
	Differential Air Quality	xxxx	PPM	AQ_DIFF	
	IDF Commanded RPM		RPM	FSPD_RPM	
	Econo Commanded Position	0 to 100	%	DAMPCMD	
	Econo Actual Position	0 to 100	%	DAMPPOS	
	Free Cooling active	Yes/No		FREECOOL	
	Currently Occupied	Yes/No		OCCUPIED	
	Mins until next occupied	xxxxx	min	MINTILOC	
	Ok to Preoccupancy Purge	Yes/No		OKPREOCC	
	Power Exhaust 1 Relay	On/Off		PE1	
Power Exhaust 2 Relay	On/Off		PE2		
2 position on ERV relay			ERV_2POS		
ALRMDISP	Active Alarm 1 Code	xxx		ALMCODE1	Writable
	Active Alarm 2 Code	xxx		ALMCODE2	
	Active Alarm 3 Code	xxx		ALMCODE3	
	Active Alarm 4 Code	xxx		ALMCODE4	
	Active Alarm 5 Code	xxx		ALMCODE5	
	Reset All Current Alarms	Yes/No		ALRESET	
STRTHOUR	Compressor A1 Run Hours	xxxxxx.x	hours	HR_A1	
	Compressor A2 Run Hours	xxxxxx.x	hours	HR_A2	
	CMP A1 Loader Run Hours	xxxxxx.x	hours	HR_ALDR	
	Alarm Relay Run Hours	xxxxxx.x	hours	HR_ALM	
	CCH1 Relay Run Hours	xxxxxx.x	hours	HR_CCHR1	
	Econ Damper Run Hours	xxxxxx.x	hours	HR_DAMP	
	Unit Full Load Run Hours	xxxxxx.x	hours	HR_FLOAD	
	Free Cooling Run Hours	xxxxxx.x	hours	HR_FREEC	
	Heat Stage 1 Run Hours	xxxxxx.x	hours	HR_HTR_1	
	Heat Stage 2 Run Hours	xxxxxx.x	hours	HR_HTR_2	

**APPENDIX D: SystemVu™ Controller CCN Tables**  
**Status Display Tables (cont)**

Table	Display Name	Range	Units	Point Name	Write Status	
STRTHOUR (cont)	LDV_A Run Hours	xxxxxx.x	hours	HR_LDV_A		
	Indoor Fan Run Hours	xxxxxx.x	hours	HR_IDF		
	Max Fan Speed Run Hours	xxxxxx.x	hours	HR_MAXF		
	ODF Spd Sig 1 Run Hours	xxxxxx.x	hours	HR_ODF1		
	ODF Spd Sig 2 Run Hours	xxxxxx.x	hours	HR_ODF2		
	ODF Spd Sig 3 Run Hours	xxxxxx.x	hours	HR_ODF3		
	RDV_A Run Hours	xxxxxx.x	hours	HR_RDV_A		
	Reheat level 1 Run Hrs	xxxxxx.x	hours	HR_RQHL1		
	Reheat level 2 Run Hrs	xxxxxx.x	hours	HR_RQHL2		
	Power Exhaust1 Run Hours	xxxxxx.x	hours	HR_PE_1		
	Power Exhaust2 Run Hours	xxxxxx.x	hours	HR_PE_2		
	Service Test Run Hours	xxxxxx.x	hours	HR_STEST		
	Vent IDF Run Hours	xxxxxx.x	hours	HR_VENTF		
	STRTCNTS	Compressor A1 Starts	xxxxxx		ST_A1	
		Compressor A2 Starts	xxxxxx		ST_A2	
CMP A1 Loader Starts		xxxxxx		ST_ALDR		
Alarm Relay Starts		xxxxxx		ST_ALM		
Alarm Reset Counts		xxxxxx		ST_ALRST		
CCH1 Relay Starts		xxxxxx		ST_CCHR1		
Economizer Damper Starts		xxxxxx		ST_DAMP		
Unit Full Load Starts		xxxxxx		ST_FLOAD		
Free Cooling Starts		xxxxxx		ST_FREEC		
Heat Stage 1 Starts		xxxxxx		ST_HTR_1		
Heat Stage 2 Starts		xxxxxx		ST_HTR_2		
Indoor Fan Starts		xxxxxx		ST_IDF		
LDV_A Starts		xxxxxx		ST_LDV_A		
Max IDF Speed Starts		xxxxxx		ST_MAXF		
ODF Spd Signal 1 Starts		xxxxxx		ST_ODF1		
ODF Spd Signal 2 Starts		xxxxxx		ST_ODF2		
ODF Spd Signal 3 Starts		xxxxxx		ST_ODF3		
Power Exhaust 1 Starts		xxxxxx		ST_PE_1		
Power Exhaust 2 Starts		xxxxxx		ST_PE_2		
Power Cycle Counts		xxxxxx		ST_POR		
RDV_A Starts		xxxxxx		ST_RDV_A		
Reheat level 1 Starts		xxxxxx		ST_RQHL1		
Reheat level 2 Starts		xxxxxx		ST_RQHL2		
Service Test Starts		xxxxxx		ST_STEST		
Ventilation Fan Starts		xxxxxx		ST_VENTF		
STRTRSTS	Comp A1 Resets Count	xxxxxx		RS_A1		
	Comp A2 Resets Count	xxxxxx		RS_A2		
	A1 Loader Resets Count	xxxxxx		RS_ALDR		
	Alarm Relay Resets Count	xxxxxx		RS_ALM		
	Alarm Reset Resets Count	xxxxxx		RS_ALRST		
	CCH1 Relay Resets Count	xxxxxx		RS_CCHR1		
	Econ Damper Resets Count	xxxxxx		RS_DAMP		
	Full Load Resets Count	xxxxxx		RS_FLOAD		
	Free Cooling Reset Count	xxxxxx		RS_FREEC		
	Heat Stage 1 Reset Count	xxxxxx		RS_HTR_1		
	Heat Stage 2 Reset Count	xxxxxx		RS_HTR_2		
	Indoor Fan Reset Count	xxxxxx		RS_IDF		
	ldv_a Resets Count	xxxxxx		RS_LDV_A		
	Max IDF Spd Resets Count	xxxxxx		RS_MAXF		
	ODF Signal1 Resets Count	xxxxxx		RS_ODF1		
	ODF Signal2 Resets Count	xxxxxx		RS_ODF2		
	ODF Signal3 Resets Count	xxxxxx		RS_ODF3		
	PExhaust 1 Resets Count	xxxxxx		RS_PE_1		
	PExhaust 2 Resets Count	xxxxxx		RS_PE_2		
	Power Cycle Resets Count	xxxxxx		RS_POR		
	rdv_a Resets Count	xxxxxx		RS_RDV_A		
	Reheat lev 1 Rst Count	xxxxxx		RS_RQHL1		
	Reheat lev 2 Rst Count	xxxxxx		RS_RQHL2		
	Service Test Reset Count	xxxxxx		RS_STEST		
	Vent IDF Resets Count	xxxxxx		RS_VENTF		



**APPENDIX D: SystemVu™ Controller CCN Tables**  
**Maintenance Tables**

Table	Display Name	Range	Units	Point Name	Write Status	
MODES	Operating Mode	see Appendix B		MODETEXT		
	System Mode	see Appendix B		SYSMODE		
	Operating Sub-Mode	see Appendix B		SUBMTEXT		
	Running Mode Operation	see Appendix B		SUB_MODE		
	Ventilation Status	see Appendix B		VENTTEXT		
	Ventilation Status	see Appendix B		VENTSTAT		
	System Demand	see Appendix B		SYS_DMDT		
	System Demand	0 to 99		SYS_DMD		
	Currently Occupied	Yes/No		OCCUPIED	Forcible	
	Linkage Active	Yes/No		LNK_ACT	Forcible	
	Unocc Free Cool Active	Yes/No		UFC_ACT		
	Temp Compensate Start On	Yes/No		TCS_ACT		
	Current Mode Ended	Yes/No		MODEDONE		
	Cool Mode Select T.guard	xxx		sec	COOLMSTG	
	Heat Mode Select T.guard	xxx		sec	HEATMSTG	
	Cool Setpoint In Effect	xx.x		° F	CSP_EFF	
	Heat Setpoint In Effect	xx.x		° F	HSP_EFF	
	Effective Demand Temp	xxx.x		° F	TEMP_EFF	
	Space Cooling Demand	xx.x		° F	COOL_DMD	
	Cooling Demand Trend	xx.x		^ F/min	CLDTREND	
	Heating Space Demand	xx.x		° F	HEAT_DMD	
Heat Space Demand Trend	xx.x		^ F/min	HTDTREND		
TESTMODE	Economizer Position Test	0 to 100	%	S_DAMPER		
	Compressor Bump A1 Test	On/Off		S_BMPA1		
	Compressor Bump A2 Test	On/Off		S_BMPA2		
	Cmp Bump Loader Test	On/Off		S_BMPALD		
	LiqDivertrValvRelayTest	On/Off		S_LDV_A		
	ReheatDschgValvRelayTest	On/Off		S_REV_A		
	Crankcase Heater 1 test	On/Off		S_CCHR1		
	Alarm Output Relay Test	On/Off		S_ALARM		
	Power Exhaust 1 Test	On/Off		S_PE_1		
	Power Exhaust 2 Test	On/Off		S_PE_2		
	Indoor Fan Speed Test	0 to 100	%	S_IDFSPD		
	System ODF speed test	0 to 1200	rpm	S_ODFSPD		
	Outdoor Fan 1 speed test	0 to 1200	rpm	S_ODFSP1		
	Outdoor Fan 2 speed test	0 to 1200	rpm	S_ODFSP2		
	Outdoor Fan 3 speed test	0 to 1200	rpm	S_ODFSP3		
	IDF Manual Transition	Yes/No		S_IDFTRN		
	ODF Manual Transition	Yes/No		S_ODFTRN		
	Cooling W/Comp.A1 Test	On/Off		S_COOLA1		
	Cooling W/Comp.A2 Test	On/Off		S_COOLA2		
	Cooling W/Comp.ALD Test	On/Off		S_COLALD		
	HumidiMizer Level	0=Off, 1=Subcool, 2=Reheat		S_HMZLEV		
	Heating Stage 1 Test	On/Off		S_HEAT1		
	Heating Stage 2 Test	On/Off		S_HEAT2		
	AUTO INDEPENDENT TEST	Yes/No		AUTOINDP		
	RUN AUTO COOLING TEST	Yes/No		AUTOCOOL		
	RUN AUTO HEATING TEST	Yes/No		AUTOHEAT		
	RUN AUTO SYSTEM TEST	Yes/No		AUTOSYS		
IDF_DIAG	IDF Commanded RPM		RPM	FSPD_RPM		
	Commanded IDF Speed	0 to 100	%	FANSPEED		
	Requested IDF Speed	0 to 100	%	RQFANSPD		
	IDF Speed Override Flag	On/Off		FAN_OVRD		
	IDF Speed Reduction On	Yes/No		FANRED10		
	IDF Operation Errors?	Yes/No		IDFBAD		

**APPENDIX D: SystemVu™ Controller CCN Tables**  
**Maintenance Tables (cont)**

Table	Display Name	Range	Units	Point Name	Write Status	
USB_DIAG	USB TREND STATUS	0=IDLE, 1=TRENDING, 2=NO POINTS, 3=USB FULL		TRNDSTAT		
	USB TREND DURATION	0=1 MINUTE, 1=5 MINUTES, 2=15 MINUTES, 3=30 MINUTES, 4=1 HOUR, 5=3 HOURS, 6=8 HOURS, 7=12 HOURS, 8=1 DAYS, 9=1.5 DAYS, 10=2 DAYS, 11=3 DAYS, 12=5 DAYS, 13=1 WEEK, 14=2 WEEK, 15=4 WEEK, 16=USB FULL		TRND DUR	Yes	
	USB TREND RATE	1 to 300		TRNDRATE	Yes	
	USB TREND POINTS FROM	0=FILE, 1=LIST		TRNDPNTS	Yes	
	TREND FILE SEARCH	text string		TRNDFILE		
	TREND EQUIP PERFORMANCE	On/Off		TRNDEQPR	Yes	
	TREND COOL PERFORMANCE	On/Off		TRNDCLPR	Yes	
	TREND HEAT PERFORMANCE	On/Off		TRNDHTPR	Yes	
	TREND COOLING DIAGNOSTIC	On/Off		TRNDCLDG	Yes	
	TREND IDF DIAGNOSTIC	On/Off		TRNDIDF	Yes	
	TREND VENTILATION	On/Off		TRNDVENT	Yes	
	TREND GEN INPUTS/OUTPUTS	On/Off		TRNDIO	Yes	
	Start USB Trending	Yes/No		TREND_EN	Yes	
	Make Config Backup File	Start/Stop		DDBCUP	Yes	
	Backup File is ready	0=IDLE, 1=SUCCESS, 2=FAILURE		BACKUP_R		
	USB Find Restore File	Yes/No		BACKFILE	Yes	
	Start Config Restore	Start/Stop		DDRSTRE	Yes	
	File Error	Yes/No		FILE_ERR		
	COOLDIAG	System Demand	see Appendix B		SYS_DMDT	
		Operating Sub-Mode	see Appendix B		SUBMTEXT	
Requested IDF Speed		0 to 100	%	RQFANSPP		
Commanded IDF Speed		0 to 100	%	FANSPEED		
IDF Commanded RPM			RPM	FSPD_RPM		
OK to Use Free Cooling?		Yes/No		OKFREECL		
Econ Damper Operational		Yes/No		DAMPGOOD		
Dry Bulb Lockout		Yes/No		DBLOCK	Forcible	
Enthalpy Lockout		Yes/No		ENTHLOCK	Forcible	
Free Cooling active		Yes/No		FREECOOL		
Unocc Free Cool Active		Yes/No		UFC_ACT		
Free Cooling SAT Setpnt		xx.x	° F	FC_SATSP		
Requested Damper Pos		0 to 100	%	REQDAMP		
Econo Commanded Position		0 to 100	%	DAMPCMD	Forcible	
Ok to use compressors?		Yes/No		OKMECHCL		
Compressor A1 Strikes		x		A1STRIKE		
Compressor A2 Strikes		x		A2STRIKE		
Circuit A Locked Out		Yes/No		CIRALOCK		
Mechanical Cool active?		Yes/No		MECHCOOL		
Max Allowed Cool Stages		0 to 3		MAXCSTGS	Forcible	
Number of Cooling Stages		0 to 3		NUMCSTGS		
Supply Air Temp Trend		xxx.x	^ F/min	SATTREND		
Supply Air Temperature		xxx..x	° F	SAT		
Requested Cooling Stages		0 to 3		REQCSTGS		
Low cooling locked out		Yes/No		LC_LOCK		
Medium Cooling lockout		Yes/No		MC_LOCK		
Compressor A1 Timeguard		xxx	sec	TIMGD_A1		
Compressor A2 Timeguard		xxx	sec	TIMGD_A2		

**APPENDIX D: SystemVu™ Controller CCN Tables**  
**Maintenance Tables (cont)**

Table	Display Name	Range	Units	Point Name	Write Status	
COOLDIAG (cont)	cmp Loader Timeguard	xxx	sec	TIMG_ALD		
	Compressor A1 locked out	Yes/No		CA1_LOCK		
	Compressor A2 locked out	Yes/No		CA2_LOCK		
	Compressor A1 Available	Yes/No		CA1_AVAL		
	Compressor A2 Available	Yes/No		CA2_AVAL		
	Recent Comp A1 Strike	Yes/No		A1STKACT		
	Recent Comp A2 Strike	Yes/No		A2STKACT		
	Circuit A Compressor 1	On/Off		COMP_A1		
	Circuit A Compressor 2	On/Off		COMP_A2		
	Circuit A CMP A1 Loader	On/Off		COMP_ALD		
	Actual Cool Stage Active	x		ACTCSTGS		
	Ok to Dehumidify?	Yes/No		OKTODHUM		
	Humidimizer Lockout Temp	-20 to 75		°F	OATLHUMZ	
	Ok to fan based dehum	Yes/No			OKTOFBD	
	Ok to use humidimizer	Yes/No			OKTOHUMZ	
	Req Compr DehumStgs	0 to 3			REQDSTGS	
	Requested Dehum Level	0 to 2			REQDSTGS	
	Liquid Dischg Valve CirA	Enable/Disable			LDV_A	
	Reheat Dischg Valve CirA	Enable/Disable			RDV_A	
	High Pressure Override	Yes/No			HP_OVR	
	ODF Speed Signal Output1	0 to 1200		rpm	ODF1SPD	
	ODF Speed Signal Output2	0 to 1200		rpm	ODF2SPD	
	ODF Speed Signal Output3	0 to 1200		rpm	ODF3SPD	
	ODF Control SDT SP	0		°F	ODFSDTSP	
	Low Ambient Ctrl Status	0=Normal, 1=Entering, 2=Low Ambient, 3=Exiting			LACTRLST	
	Outdoor Air Temperature	xxx.x		°F	OAT	Forcible
	FBDH SST locked out	Yes/No			FBDSSTLO	
	FBDH SAT Lockout	Yes/No			FBDSATLO	
	Cir.A High Pressure Sw	Open/Close			CIRA_HPS	
	Cir.A Discharge Pressure	xxx.x		psig	SDP_A	
	Cir.A Suction Pressure	xxx.x		psig	SSP_A	
	Circuit A Pressure Ratio	xx.xx			CIRA_PR	
	Cir.A Sat.Discharge Temp	xxx.x		°F	SDT_A	
Cir.A Sat.Suction Temp	xxx.x		°F	SST_A		
HUMZDIAG	Ok to Dehumidify?	Yes/No		OKTODHUM		
	Requested Dehum Level	0 to 2		REQDHLEV		
	Ok to use humidimizer	Yes/No		OKTOHUMZ		
	Liquid Dischg Valve CirA	Enable/Disable		LDV_A		
	Reheat Dischg Valve CirA	Enable/Disable		RDV_A		
	Reheat Liquid Valve CirA	Enable/Disable		RLV_A		
	Cooling Liq Valve CirA	Enable/Disable		CLV_A		
	Fan Based Dehum Type	0=None, 1=Comfort, 2=Max			FBD_TYPE	
	FBDH SAT Min value	35 to 80		°F	FBDH_SAT	
	FBDH SST Min value	10 to 60		°F	FBDH_SST	
	FBDH Low Set Point	-20 to 0		°F delta	FBDLO_SP	
	Requested IDF Speed	0 to 200		%	RQFANSPD	
	Ok to fan based dehum	Yes/No			OKTOFBD	
	FBDH SST locked out	Yes/No			FBDSSTLO	
	FBDH SAT Lockout	Yes/No			FBDSATLO	
OKFCDIAG	Outdoor Air Temperature	xxx.x	°F	OAT	Forcible	
	OA Relative Humidity	0 to 100	%	OARH	Forcible	
	Outdoor Air Enthalpy	xxx.x	Btu/lb	OA_ENTH	Forcible	
	Return Air Temperature	xxx.x	°F	RAT	Forcible	
	RA Relative Humidity	0 to 100	%	RARH	Forcible	
	Return Air Enthalpy	xxx.x	Btu/lb	RA_ENTH	Forcible	
	Barometric Pressure	xx.xx	in.Hg	BARP	Forcible	

**APPENDIX D: SystemVu™ Controller CCN Tables**  
**Maintenance Tables (cont)**

Table	Display Name	Range	Units	Point Name	Write Status
OKFCDIAG (cont)	Diff. Dry Bulb Control	Enable/Disable		DIFFBULB	
	Free Cooling Min Temp	-30 to 70	° F	MINFREET	
	Free Cooling Max OAT	0 to 90	° F	MAXFREET	
	Diff. Dry Bulb Deadband	0 to 20	° F	OATRATDB	
	Dry Bulb Lockout	Yes/No		DBLOCK	Forcible
	Diff. Enthalpy Control	Enable/Disable		DIFFENTH	
	Max Enthalpy OA limit	1 to 99	Btu/lb	FREEMAXE	
	Enthalpy Cross Deadband	0 to 20	Btu/lb	OAERAEDB	
	Enthalpy Switch	High/Low		ENTH_SW	Forcible
	Enthalpy Lockout	Yes/No		ENTHLOCK	Forcible
	Currently Occupied	Yes/No		OCCUPIED	Forcible
	Unocc Free Cool Low Temp	-30 to 70	° F	OATLUC	
	Unocc Free Cool Lockout	Yes/No		UNOCLOCK	
	Econ Damper Operational	Yes/No		DAMPGOOD	
	OK to Use Free Cooling?	Yes/No		OKFREECL	
	Ok to unocc Free Cool?	Yes/No		OKTOUFC	
	HEATDIAG	System Demand	see Appendix B		SYS_DMDT
Operating Sub-Mode		see Appendix B		SUBMTEXT	
IGC Fan On Request (IFO)		On/Off		IGC_IFO	
Requested IDF Speed		0 to 100	%	RQFANSPP	
Commanded IDF Speed		0 to 100	%	FANSPEED	
IDF Commanded RPM			RPM	FSPD_RPM	
OK to Run Heat		Yes/No		OKTOHEAT	
All Heat Stages Lockout		Yes/No		ALLHTLOC	Forcible
Max Allowed Heat Stages		0 to 2		MAXHSTGS	Forcible
Supply Air Temp Trend		xxx.x	^ F/min	SATTREND	
Supply Air Temperature		xxx.x	° F	SAT	
Requested Heating Stages		0 to 2		REQHSTGS	
Heat Stage 1 Timeguard		xxx	sec	TIMGD_H1	
Heat Stage 2 Timeguard		xxx	sec	TIMGD_H2	
Heat Stage 1 Available		Yes/No		HT1_AVAL	
Heat Stage 2 Available		Yes/No		HT2_AVAL	
Heat Stage 1 Relay		On/Off		HEAT_1	
Heat Stage 2 Relay		On/Off		HEAT_2	
Actual Heat Stage Active		x		ACTHSTGS	
Outdoor Air Temperature		xxx.x	° F	OAT	Forcible
Return Air Temperature	xxx.x	° F	RAT	Forcible	
Fan Supply Air Temp	xxx.x	° F	FST		
Econo Commanded Position	0 to 100	%	DAMPCMD	Forcible	
PE_DIAG	0 = None				
	1 = MBB RLY11				
	2 = MBB RLY06				
	PE1 Relay Channel	0 to 2		PE1_CHAN	
	PE2 Relay Channel	0 to 2		PE2_CHAN	
	PE Turn Off Dead band	0 to 100	%	PE_OFFDB	
	Power Exhaust 1 Relay	On/Off		PE1	Forcible
	Power Exhaust 2 Relay	On/Off		PE2	Forcible
	Econo Commanded Position	0 to 100	%	DAMPCMD	Forcible
	Commanded IDF Speed	0 to 100	%	FANSPEED	
	IDF Commanded RPM		RPM	FSPD_RPM	
	IDF Maximum Fan Speed	80 to 100	%	SPEEDMAX	
	IDF Max RPM SP	xxxx	RPM	RPMMAXSP	

**APPENDIX D: SystemVu™ Controller CCN Tables**  
**Maintenance Tables (cont)**

Table	Display Name	Range	Units	Point Name	Write Status	
PE_DIAG (cont)	P.Exhaust 1 Curve Offset	0 to 100	%	PE1_OFFS		
	P.Exhaust 2 Curve Offset	0 to 100	%	PE2_OFFS		
	Power Exhaust 1 – Speed1	0 to 100	%	PE1_SPD1		
	Power Exhaust 1 – Speed2	0 to 100	%	PE1_SPD2		
	Power Exhaust 1 – Speed3	0 to 100	%	PE1_SPD3		
	PE Stage 1 at Max speed	0 to 100	%	PE1_PMAX		
	Power Exhaust 1 – Pos 1	0 to 100	%	PE1_POS1		
	Power Exhaust 1 – Pos 2	0 to 100	%	PE1_POS2		
	Power Exhaust 1 – Pos 3	0 to 100	%	PE1_POS3		
	Power Exhaust 2 – Speed1	0 to 100	%	PE2_SPD1		
	Power Exhaust 2 – Speed2	0 to 100	%	PE2_SPD2		
	Power Exhaust 2 – Speed3	0 to 100	%	PE2_SPD3		
	PE Stage 2 at max speed	0 to 100	%	PE2_PMAX		
	Power Exhaust 2 – Pos 1	0 to 100	%	PE2_POS1		
	Power Exhaust 2 – Pos 2	0 to 100	%	PE2_POS2		
	Power Exhaust 2 – Pos 3	0 to 100	%	PE2_POS3		
	VENTDIAG	Operating Sub-Mode	see Appendix B		SUBMTEXT	
		Ventilation Status	see Appendix B		VENTTEXT	
		Ventilation Status	see Appendix B		VENTSTAT	
		Currently Occupied	Yes/No		OCCUPIED	Forcible
Mins until next occupied		xxxx	min	MINTILOC		
Fan On When Occupied		Yes/No		FANON_OC		
IDF Commanded RPM			RPM	FSPD_RPM		
Free Cooling active		Yes/No		FREECOOL		
Min Position in Effect		0 to 100	%	MIN_POS	Forcible	
Requested Damper Pos		0 to 100	%	REQDAMP		
Econo Commanded Position		0 to 100	%	DAMPCMD	Forcible	
Econo Actual Position		0 to 100	%	DAMPPOS	Forcible	
Analog Input IAQ Control		0=NO IAQ, 1=DCV, 2=IAQ OVRD, 3=CTRL MINP		IAQANCFG		
Indoor Air Quality Level		xxxx	PPM	IAQ	Forcible	
OA Quality Level		xxxx	PPM	OAQ	Forcible	
Differential Air Quality		xxxx	PPM	AQ_DIFF		
AQ Differential High		xxxx	PPM	DAQ_HIGH		
AQ Differential Low		xxxx	PPM	DAQ_LOW		
AQ Diff High IAQOVERRIDE		0 to 5000	PPM	AQD_HIGH		
AQ Diff Low – IAQ OVERRIDE		0 to 5000	PPM	AQD_LOW		
IAQ override enable		Yes/No		IAQOVREN		
IAQ Preoccupancy Purge		Yes/No		IAQPURGE		
Preocc Purge Lockout OAT		0 to 70	°F	IAQP_LA		
Ok to Preoccupancy Purge		Yes/No		OKPREOCC		
Preocc Purge Duration		5 to 120	min	IAQPTIME		
In Pre-Occupancy Purge?		Yes/No		PREOCCON		
Is IAQ Override Active?		Yes/No		IAQ_OVRD		
IAQ override sw state		Yes/No		IAQ_OVRS		
Economizer Installed?		Yes/No		ECONO		
2 Pos or ERV Channel				EV2PCHAN		
Supply Air Temperature		xxx.x	°F	SAT		
Return Air Temperature		xxx.x	°F	RAT	Forcible	
Outdoor Air Temperature	xxx.x	°F	OAT	Forcible		
Damper SAT deadband	0 to 20	°F	T24SATDB			
T24 Min Diff in RAT – OAT	5 to 20	°F	T24RATDF			

**APPENDIX D: SystemVu™ Controller CCN Tables**  
**Maintenance Tables (cont)**

Table	Display Name	Range	Units	Point Name	Write Status
VENTDIAG (cont)	T24 Heat/Cool End Delay	0 to 60	min	T24CHDLY	
	SAT Heat Mode Sensing	Enable/Disable		SAT_HEAT	
	Actual Heat Stage Active	x		ACTHSTGS	
	Actual Cool Stage Active	x		ACTCSTGS	
	OK to Use Free Cooling?	Yes/No		OKFREECL	
	T24 Test Minimum Pos	0 to 100	%	T24TSTMN	
	Econo Commanded Position	0 to 100	%	DAMPCMD	Forcible
	T24 Test Maximum Pos	0 to 100	%	T24TSTMX	
	T24Econ Min Move for SAT	10 to 20	%	T24ECSTS	
	Econo Actual Position	0 to 100	%	DAMPPOS	Forcible
IAQODIAG	AQ Diff High IAQOVERRIDE	0 to 5000	PPM	AQD_HIGH	
	AQ Diff Low – IAQ OVERRIDE	0 to 5000	PPM	AQD_LOW	
	IAQ override enable	Yes/No		IAQOVREN	
	Is IAQ Override Active?	Yes/No		IAQ_OVRD	
	IAQ override sw state	Yes/No		IAQ_OVRS	
VENTCURV	Econ Min at Max Fanspeed	0 to 100	%	MINP_MAX	
	Min Pos – User Pos 1	0 to 100	%	MP_UPOS1	
	Min Pos – User Pos 2	0 to 100	%	MP_UPOS2	
	Min Pos – User Pos 3	0 to 100	%	MP_UPOS3	
	Min Pos – User Speed 1	0 to 100	%	MP_USPD1	
	Min Pos – User Speed 2	0 to 100	%	MP_USPD2	
	Min Pos – User Speed 3	0 to 100	%	MP_USPD3	
	User Min Pos Pnt 1 Valid	Yes/No		MP_UPT1	
	User Min Pos Pnt 2 Valid	Yes/No		MP_UPT2	
	User Min Pos Pnt 3 Valid	Yes/No		MP_UPT3	
	Min Pos – Default Pos 1	0 to 100	%	MP_DPOS1	
	Min Pos – Default Pos 2	0 to 100	%	MP_DPOS2	
	Min Pos – Default Pos 3	0 to 100	%	MP_DPOS3	
	Min Pos – Default Speed1	0 to 100	%	MP_DSPD1	
	Min Pos – Default Speed2	0 to 100	%	MP_DSPD2	
	Min Pos – Default Speed3	0 to 100	%	MP_DSPD3	
	Min Pos Curve – Pos 1	0 to 100	%	MP_POS1	
	Min Pos Curve – Pos 2	0 to 100	%	MP_POS2	
	Min Pos Curve – Pos 3	0 to 100	%	MP_POS3	
	Min Pos Curve – Speed 1	0 to 100	%	MP_SPD1	
	Min Pos Curve – Speed 2	0 to 100	%	MP_SPD2	
	Min Pos Curve – Speed 3	0 to 100	%	MP_SPD3	
	IAQ DCV Curve Offset	0 to 100	%	IAQ_OFFS	
	IAQ Position at Max Fan	0 to 100	%	IAQMINP	
	IAQ DCV Curve – Pos 1	0 to 100	%	AQ_POS1	
	IAQ DCV Curve – Pos 2	0 to 100	%	AQ_POS2	
	IAQ DCV Curve – Pos 3	0 to 100	%	AQ_POS3	
	IAQ DCV Curve – Speed 1	0 to 100	%	AQ_SPD1	
	IAQ DCV Curve – Speed 2	0 to 100	%	AQ_SPD2	
	IAQ DCV Curve – Speed 3	0 to 100	%	AQ_SPD3	
	IAQ Purge Curve Offset	0 to 100	%	AQP_OFFS	
	IAQ Purge Pos at Max IDF	0 to 100	%	IAQPMAX	
	IAQ Purge Curve – Pos 1	0 to 100	%	AQP_POS1	
	IAQ Purge Curve – Pos 2	0 to 100	%	AQP_POS2	
	IAQ Purge Curve – Pos 3	0 to 100	%	AQP_POS3	
	IDF Maximum Fan Speed	80 to 100	%	SPEEDMAX	
	IAQ Purge Curve – Speed1	0 to 100	%	AQP_SPD1	
	IAQ Purge Curve – Speed2	0 to 100	%	AQP_SPD2	
	IAQ Purge Curve – Speed3	0 to 100	%	AQP_SPD3	

**APPENDIX D: SystemVu™ Controller CCN Tables**  
**Maintenance Tables (cont)**

Table	Display Name	Range	Units	Point Name	Write Status
LINKDATA	Linkage CCN element #	xxx		LNK_SUPE	Forcible
	Linkage CCN Bus number	xxx		LNK_SUPB	Forcible
	Block No: in Master Zone	1 to 8		LNK_MZBK	Forcible
	Average Occup. Heat Stp.	xxx.x	°F	LNK_OHSP	Forcible
	Average Occup. Cool Stp.	xxx.x	°F	LNK_OCSP	Forcible
	Average Unocc. Heat Stp.	xxx.x	°F	LNK_UHSP	Forcible
	Average Unocc. Cool Stp.	xxx.x	°F	LNK_UCSP	Forcible
	Average Zone Temperature	xxx.x	°F	LNK_AZT	Forcible
	Average Occup. Zone Temp	xxx.x	°F	LNK_AOZT	Forcible
	Linkage Occupied Request	0=Unocc, 1=Occupied, 2=Disabled		LNK_OCC	Forcible
	Linkage Next Occ Day	text string		LNEXTOCD	
	Linkage Next Occ Time	hh:mm		LNEXTOCT	
	Linkage Last Unocc Day	text string		LNEXTUOD	
	Linkage Next Unocc Time	hh:mm		LNEXTUCT	
	Linkage Last Unocc Day	text string		LLASTUOD	
	Linkage Last Unocc Time	hh:mm		LLASTUCT	
	Linkage Active	Yes/No		LNK_ACT	Forcible
	Linkage Equipment Mode	1 to 8		LNK_MODE	Forcible
	Linkage Start Bias time	xxx	min	LNK_SBT	Forcible
	Value of Prime variable	xxx.x	°F	PRIME_V	
OCC_DIAG	Currently Occupied	Yes/No		OCCUPIED	Forcible
	Active Occupancy control	0 = 24/7 OCC, 1 = Schedule, 2 = BAS CTRL, 3 = REMOC CTL, 4 = Time Override, 5 = Linkage, 6 = Forced		OCC_CTRL	
	Linkage Occupied Request	0=Unocc, 1=Occupied, 2=Disabled		LNK_OCC	Forcible
	Timed Override Remaining	0 to 240	min	OVR_EXT	Forcible
	Remote Occupancy Switch	On/Off		REMOCC	Forcible
	BMS Occupancy Request	0=Unocc, 1=Occupied, 2=Disabled		BMS_OCC	Forcible
	Local Sched Occ Request	0=Unocc, 1=Occupied		LOC_OCC	Forcible
	Active Schedule period	0 to 8		PER_NO	
	Mins until next occupied	- 1 to 10080	min	MINTILOC	
	BACnet Cal Object Status	Yes/No		CALOBJST	
	Today Is A Holiday	Yes/No		HOLTODAY	
	Tomorrow Is A Holiday	Yes/No		HOL_TMRW	
	Next Occupied Day	DDD		NXTOCDAY	
	Next Occupied Time	hh:mm		NXTOCTIM	
	Next Unoccupied Day	DDD		NXTUNDAY	
	Next Unoccupied Time	hh:mm		NXTUNTIM	
	Previous Unoccupied Day	DDD		PRVUNDAY	
	Previous Unoccupied Time	hh:mm	hh.mm	PRVUNTIM	
	Accept Global Holidays?	Yes/No		HOLIDAYT	
	Global Schedule Broadcst	Yes/No		CCN_GSBC	
	CCN Schedule Number	0 to 99		SCHEDNUM	
	0 = Always Occupied				
	1-64 = Local Schedule				
	65-99 = Global Schedule				
	Remote Occupancy Channel	0=None, 1=MBB DI12, 2=MBB DI13, 3=MBB DI14, 4=MBB DI02, 5=MBB DI04		RMOCCCHAN	
	Remote Occupancy Switch	On/Off		REMOCC	Forcible
	Timed Override Duration	0 to 4	hours	OTL_CFG	
	BAS Protocol Select	0=NONE, 1=CCN, 2=BACNET		BMS_CFG	

**APPENDIX D: SystemVu™ Controller CCN Tables**  
**Maintenance Tables (cont)**

Table	Display Name	Range	Units	Point Name	Write Status
HW_IO	Assigned AI06 Function	0 = None, 1 = IAQ, 2 = OARH, 3 = RARH, 4 = OAQ, 5 = SPRH, 6 = OACFM		MBBAI06F	
	Assigned AI07 Function	0 = None, 1 = IAQ, 2 = OARH, 3 = RARH, 4 = OAQ, 5 = SPRH, 6 = OACFM		MBBAI07F	
	Assigned AI08 Function	0 = None, 1 = IAQ, 2 = OARH, 3 = RARH, 4 = OAQ, 5 = SPRH, 6 = OACFM		MBBAI08F	
	Assigned S–AI01 Function	0 = None, 1 = IAQ, 2 = OARH, 3 = RARH, 4 = OAQ, 5 = SPRH, 6 = OACFM		SIOAI01F	
	Assigned DI02 Function	0 = None, 1 = COFS, 2 = REMOCC, 3 = REMOFF, 4 = Filter, 5 = Enthalpy 6 = General Status, 7 = Humidistat		MBBDI02F	
	Assigned DI04 Function	0 = None, 1 = COFS, 2 = REMOCC, 3 = REMOFF, 4 = Filter, 5 = Enthalpy 6 = General Status, 7 = Humidistat		MBBDI04F	
	Assigned DI12 Function	0 = None, 1 = COFS, 2 = REMOCC, 3 = REMOFF, 4 = Filter, 5 = Enthalpy 6 = General Status, 7 = Humidistat		MBBDI12F	
	Assigned DI12 Function	0 = None, 1 = COFS, 2 = REMOCC, 3 = REMOFF, 4 = Filter, 5 = Enthalpy 6 = General Status, 7 = Humidistat		MBBDI12F	
	Assigned DI13 Function	0 = None, 1 = COFS, 2 = REMOCC, 3 = REMOFF, 4 = Filter, 5 = Enthalpy 6 = General Status, 7 = Humidistat		MBBDI13F	
	Assigned DI14 Function	0 = None, 1 = COFS, 2 = REMOCC, 3 = REMOFF, 4 = Filter, 5 = Enthalpy 6 = General Status, 7 = Humidistat		MBBDI14F	
	Assigned S–DI01 Function	0 = None, 1 = COFS, 2 = REMOCC, 3 = REMOFF, 4 = Filter, 5 = Enthalpy 6 = General Status, 7 = Humidistat		SIODI01F	



**APPENDIX D: SystemVu™ Controller CCN Tables  
Maintenance Tables (cont)**

Table	Display Name	Range	Units	Point Name	Write Status
HW_IO (cont)	Assigned Rly 06 Function	0 = None, 1 = Alarm Relay, 3 = PE2		MBBRY06F	
	Assigned Rly 11 Function	0 = None, 1 = Alarm Relay, 3 = PE2		MBBRY11F	
	Outdoor Air Temp Sensor	xxx.x	° F	OAT_LOC	
	Return Air Temp Sensor	xxx.x	° F	RAT_LOC	
	Space Temperature Sensor	xxx.x	° F	SPT_LOC	
	SPRH Sensor Value	0 to 100	%	SPRH_LOC	
	Local Space Temp Offset	xxxx	° F delta	SPTO_LOC	
	OARH Sensor Value	0 to 100	%	OARH_LOC	
	RARH Sensor Value	0 to 100	%	RARH_LOC	
	IAQ Sensor value	xxxx	ppm	IAQ_LOC	
	OAQ Sensor Value	xxxx	ppm	OAQ_LOC	
	OACFM Sensor Value	xxx.x	cfm	OACFM_LOC	
	Equipment Model number	xxxxxxxxxxxxxxxxxxxx		EQ_MOD	
	Equipment Serial number	xxxxxxxxxx		EQ_SER	
	Application SW Version	CESR131651-xx-xx		FW_CESR	
	SIOB1 SW Version	SIOB1 SW VERSION-xx-xx		SIOB1_SW	
	Bootloader SW Version	CESR131659-xx-xx		BL_CESR	
	MBB Part Number	CEPL131117-xx-R		BD_CEPL	
	MBB Program Part Number	CEPP130644-xx-xx-xx-R		BD_CEPP	
	Base Board serial number	xxxxNxxxxx		BD_SER	
ZSENSORS	Zone Sensor Temp Out	-40 to 245	° F	ZSZT	
	Zone Sensor 1 Temp	-40 to 245	° F	ZS1ZT	
	ZS2 Temperature	-40 to 245	° F	ZS2ZT	
	ZS3 Temperature	-40 to 245	° F	ZS3ZT	
	ZS4 Temperature	-40 to 245	° F	ZS4ZT	
	ZS5 Temperature	-40 to 245	° F	ZS5ZT	
	Zone Sensor Humidity Out	0 to 100	%	ZSSPRH	
	ZS1 Humidity	0 to 100	%	ZS1ZHUM	
	ZS2 Humidity	0 to 100	%	ZS2ZHUM	
	ZS3 Humidity	0 to 100	%	ZS3ZHUM	
	ZS4 Humidity	0 to 100	%	ZS4ZHUM	
	ZS5 Humidity	0 to 100	%	ZS5ZHUM	
	ZS Override time remain	0 to 600	min	ZSOTR	
	ZS1 Override time remain	0 to 600	min	ZS1OTR	
	ZS2 Override time remain	0 to 600	min	ZS2OTR	
	ZS3 Override time remain	0 to 600	min	ZS3OTR	
	ZS4 Override time remain	0 to 600	min	ZS4OTR	
	ZS5 Override time remain	0 to 600	min	ZS5OTR	
	ZS Setpoint OffsetOutput	-10 to 10	° F delta	ZSSPTO	
	ZS1 cool setpoint offset	-10 to 10	° F delta	ZS1CSOFF	
	ZS2 cool setpoint offset	-10 to 10	° F delta	ZS2CSOFF	
	ZS3 cool setpoint offset	-10 to 10	° F delta	ZS3CSOFF	
	ZS4 cool setpoint offset	-10 to 10	° F delta	ZS4CSOFF	
	ZS5 cool setpoint offset	-10 to 10	° F delta	ZS5CSOFF	
	ZS1 Heat Setpoint Offset	-10 to 10	° F delta	ZS1HSOFF	
	ZS2 Heat Setpoint Offset	-10 to 10	° F delta	ZS2HSOFF	
	ZS3 Heat Setpoint Offset	-10 to 10	° F delta	ZS3HSOFF	
ZS4 Heat Setpoint Offset	-10 to 10	° F delta	ZS4HSOFF		
ZS5 Heat Setpoint Offset	-10 to 10	° F delta	ZS5HSOFF		
USER_INS	Supply Voltage Leg 1	0 to 700	volt	L1VOLTS	
	Supply Voltage Leg 2	0 to 700	volt	L2VOLTS	
	Supply Voltage Leg 3	0 to 700	volt	L3VOLTS	
	Comp A1 Amps Leg 1	0 to 100	amps	CA1L1_A	
	Comp A1 Amps Leg 2	0 to 100	amps	CA1L2_A	
	Comp A1 Amps Leg 3	0 to 100	amps	CA1L3_A	

**APPENDIX D: SystemVu™ Controller CCN Tables  
Maintenance Tables (cont)**

Table	Display Name	Range	Units	Point Name	Write Status
USER_INS (cont)	Comp A2 Amps Leg 1	0 to 100	amps	CA2L1_A	
	Comp A2 Amps Leg 2	0 to 100	amps	CA2L2_A	
	Comp A2 Amps Leg 3	0 to 100	amps	CA2L3_A	
	Elec. Heat Amps Leg 1	0 to 100	amps	EHTL1_A	
	Elec. Heat Amps Leg 2	0 to 100	amps	EHTL2_A	
	Elec. Heat Amps Leg 3	0 to 100	amps	EHTL3_A	
	Gas Supply Type	0 = Natural, 1 = LP		GASTYPE	
	Gas Inlet Pressure	0 to 20	in.wc	GASPRESS	
	Stage 1 Gas Pressure	0 to 20	in.wc	HT1PRESS	
Stage 2 Gas Pressure	0 to 20	in.wc	HT2PRESS		
POWRESET	Power Reset Event 00	mm/dd/yy, hh:mm:ss		POWRES00	
	Power Reset Event 01	mm/dd/yy, hh:mm:ss		POWRES01	
	Power Reset Event 02	mm/dd/yy, hh:mm:ss		POWRES02	
	Power Reset Event 03	mm/dd/yy, hh:mm:ss		POWRES03	
	Power Reset Event 04	mm/dd/yy, hh:mm:ss		POWRES04	
	Power Reset Event 05	mm/dd/yy, hh:mm:ss		POWRES05	
	Power Reset Event 06	mm/dd/yy, hh:mm:ss		POWRES06	
	Power Reset Event 07	mm/dd/yy, hh:mm:ss		POWRES07	
	Power Reset Event 08	mm/dd/yy, hh:mm:ss		POWRES08	
	Power Reset Event 09	mm/dd/yy, hh:mm:ss		POWRES09	
ALRESET1	Alarm Reset Event 00	mm/dd/yy, hh:mm:ss		ALMRES00	
	Alarm Reset Event 01	mm/dd/yy, hh:mm:ss		ALMRES01	
	Alarm Reset Event 02	mm/dd/yy, hh:mm:ss		ALMRES02	
	Alarm Reset Event 03	mm/dd/yy, hh:mm:ss		ALMRES03	
	Alarm Reset Event 04	mm/dd/yy, hh:mm:ss		ALMRES04	
	Alarm Reset Event 05	mm/dd/yy, hh:mm:ss		ALMRES05	
	Alarm Reset Event 06	mm/dd/yy, hh:mm:ss		ALMRES06	
	Alarm Reset Event 07	mm/dd/yy, hh:mm:ss		ALMRES07	
	Alarm Reset Event 08	mm/dd/yy, hh:mm:ss		ALMRES08	
	Alarm Reset Event 09	mm/dd/yy, hh:mm:ss		ALMRES09	
ALRESET2	Alarm Reset Event 10	mm/dd/yy, hh:mm:ss		ALMRES10	
	Alarm Reset Event 11	mm/dd/yy, hh:mm:ss		ALMRES11	
	Alarm Reset Event 12	mm/dd/yy, hh:mm:ss		ALMRES12	
	Alarm Reset Event 13	mm/dd/yy, hh:mm:ss		ALMRES13	
	Alarm Reset Event 14	mm/dd/yy, hh:mm:ss		ALMRES14	
	Alarm Reset Event 15	mm/dd/yy, hh:mm:ss		ALMRES15	
	Alarm Reset Event 16	mm/dd/yy, hh:mm:ss		ALMRES16	
	Alarm Reset Event 17	mm/dd/yy, hh:mm:ss		ALMRES17	
	Alarm Reset Event 18	mm/dd/yy, hh:mm:ss		ALMRES18	
	Alarm Reset Event 19	mm/dd/yy, hh:mm:ss		ALMRES19	

**APPENDIX D: SystemVu™ Controller CCN Tables**  
**Service Config Tables**

Table Name	Display Name	Range	Units	Point Name	Default	
TOUCH	Equip Sys Touch Active		enum	ETST_ACT		
	Equipment Touch SPT		°F	ETSPT		
	Equipment Touch RH		%	ETSPRH		
	System Touch Temp Value		°F	STST_NET		
	System Touch SPRH Value		%	STRH_NET		
	ET ST Aggregated SPT		°F	ETSTSPT		
	ET ST Aggregated SPRH		%	ETSTSPRH		
UNIT_CFG	Unit Startup Delay	10 to 600	sec	STARTDLY	30	
	Auxiliary vent type	1		VENTTYPE		
	Unit Control Type	0 = Thermostat, 1 = Space Sensor, 2 = RAT Control		CTRLTYPE	0=TSTAT	
	Thermostat Hardware Type	0 = 2 Stage Conventional, 1 = 2 Stage Digital, 2 = 3 Stage Conventional, 3 = 3 Stage Digital		STATTYPE	2=CONV 3C2H	
	Tstat Adaptive Staging	Yes/No		ADPTSTAT	Yes	
	Change Filter Timer	0 to 9999	hours	FILT LIFE	600	
	Test Inactivity Time Out	0 = Disabled, 1 = 30 Minutes, 2 = 1 Hour, 3 = 2 Hours, 4 = 4 Hours, 5 = 8 Hours, 6 = 12 Hours		TEST_ITO	4=4 hours	
	CCH Max Temperature	40 to 90	°F	CCHMAXT	65	
	Std Barometric Pressure	13 to 35	in.Hg	STD_BARP	29.92	
	Linkage Stage inc. time	60 to 600	sec	LSTAGINC	180	
	Unit's Maximum SAT	130 to 210	°F	UMAX_SAT	200	
	Auto Clr SAT Limit Fault	Yes/No		SATLACLR	No	
	Adaptive Temp Comp Start	Enable/Disable		TCS_CFG	Yes	
	User TCS Start bias time	0 to 180	min	TCSUBIAS	0	
	SIOB 1 Enabled	Yes/No		SIOB1_EN		
	Compressor A1 Enabled	Enable/Disable		CMPA1_EN		
	Compressor A2 Enabled	Enable/Disable		CMPA2_EN		
	Compressor AL Enabled	Enable/Disable		CMPAL_EN		
	Compressor A1 Shutdown	Enable/Disable		SDWN_A1		
	Compressor A2 Shutdown	Enable/Disable		SDWN_A2		
	cmp Loader Shutdown	Enable/Disable		SDWN_ALD		
	DMD_CFG	Low Cool Demand On	-1 to 2	°F	DMDLCON	0.5
		Medium Cool Demand On	0.5 to 20	°F	DMDMCON	1
		High Cool Demand On	0.5 to 20	°F	DMDHCON	2
		Low Cool Demand Off	-1 to 2	°F	DMDLCOFF	-0.5
		Cool Demand Level Up	-2 to 2	^F/min	CDMD_LUP	-0.2
		Low Heat Demand On	-1 to 2	°F	DMDLHON	0.5
High Heat Demand On		0.5 to 20	°F	DMDHHON	2	
Low Heat Demand Off		-1 to 2	°F	DMDLHOFF	-0.5	
Heat Demand Level Up		-2 to 2	^F/min	HDMMD_LUP	-0.2	
Space Demand Time Guard1		60 to 600	sec	TDMD_TG1	180	
Space Demand Time Guard2		0 to 600	sec	TDMD_TG2	300	
Space Demand Time Guard3		5 to 120	min	TDMD_TG3	10	
COOL DMD Offset level 1		0 to 99	°F	CLDOLEV1		
COOL DMD Offset level 2		0 to 99	°F	CLDOLEV2		
COOL DMD Offset level 3		0 to 99	°F	CLDOLEV3		
Heat DMD Offset level 1		0 to 99	°F	HTDOLEV1		
Heat DMD Offset level 2		0 to 99	°F	HTDOLEV2		
Heat DMD Offset level 3		0 to 99	°F	HTDOLEV3		

**APPENDIX D: SystemVu™ Controller CCN Tables**  
**Service Config Tables (cont)**

Table Name	Display Name	Range	Units	Point Name	Default
INPUTCFG	HumidistatStatus Channel	0 = None, 1 = MBB DI12, 2 = MBB DI13, 3 = MBB DI14, 4 = MBB DI02, 5 = MBB DI04, 6 = SIOB DI01		HUMDCHAN	
	Filter Status Sw Channel	0 = None, 1 = MBB DI12, 2 = MBB DI13, 3 = MBB DI14, 4 = MBB DI02, 5 = MBB DI04, 6 = SIOB DI01		FILTCHAN	0=None
	Remote Occupancy Channel	0 = None, 1 = MBB DI12, 2 = MBB DI13, 3 = MBB DI14, 4 = MBB DI02, 5 = MBB DI04, 6 = SIOB DI01		RMOCCCHAN	0=None
	Remote Shutdown Channel	0 = None, 1 = MBB DI12, 2 = MBB DI13, 3 = MBB DI14, 4 = MBB DI02, 5 = MBB DI04, 6 = SIOB DI01		ROFFCHAN	0=None
	COFS Assigned Channel	0 = None, 1 = MBB DI12, 2 = MBB DI13, 3 = MBB DI14, 4 = MBB DI02, 5 = MBB DI04, 6 = SIOB DI01		COFSCAN	0=None
	IAQ override sw channel	0 = None, 1 = MBB DI12, 2 = MBB DI13, 3 = MBB DI14, 4 = MBB DI02, 5 = MBB DI04, 6 = SIOB DI01		IAQOCHAN	0=None
	General Status Channel	0 = None, 1 = MBB DI12, 2 = MBB DI13, 3 = MBB DI14, 4 = MBB DI02, 5 = MBB DI04, 6 = SIOB DI01		GEN_CHAN	0=None
	Enthalpy Sw Channel	0 = None, 1 = MBB DI12, 2 = MBB DI13, 3 = MBB DI14, 4 = MBB DI02, 5 = MBB DI04, 6 = SIOB DI01		ENTHCHAN	0=None
	IAQ Assigned Channel	0 = None, 1 = MBB AI06, 2 = MBB AI07, 3 = MBB AI08, 4 = SIOB AI10		IAQ_CHAN	0: no FIOP 1: FIOP
	OAQ Assigned Channel	0 = None, 1 = MBB AI06, 2 = MBB AI07, 3 = MBB AI08, 4 = SIOB AI10		OAQ_CHAN	0=None
	OARH Assigned Channel	0 = None, 1 = MBB AI06, 2 = MBB AI07, 3 = MBB AI08, 4 = SIOB AI10		OARHCHAN	0: no Enthalpy FIOP 3: Enthalpy FIOP
	RARH Assigned Channel	0 = None, 1 = MBB AI06, 2 = MBB AI07, 3 = MBB AI08, 4 = SIOB AI10		RARHCHAN	0=None
	SPRH Assigned Channel	0 = None, 1 = MBB AI06, 2 = MBB AI07, 3 = MBB AI08, 4 = SIOB AI10		SPRHCHAN	
	OACFM Assigned Channel	0 = None, 1 = MBB AI06, 2 = MBB AI07, 3 = MBB AI08, 4 = SIOB AI10		OACFMCHAN	

**APPENDIX D: SystemVu™ Controller CCN Tables**  
**Service Config Tables (cont)**

Table Name	Display Name	Range	Units	Point Name	Default
INPUTCFG (cont)	Humidistat Switch Type	0 = Normally Open, 1 = Normally Closed		HUMD_CFG	
	Filter Status Swith Type	0 = Normally Open, 1 = Normally Closed		FILT_CFG	0=NORM OPEN
	Remote Occupancy Sw Type	0 = Normally Open, 1 = Normally Closed		RMOC_CFG	0=NORM OPEN
	Remote Shutdown Sw Type	0 = Normally Open, 1 = Normally Closed		ROFF_CFG	0=NORM OPEN
	COFS Switch Type	0 = Normally Open, 1 = Normally Closed		COFS_CFG	1=NORM CLSD
	General Status Sw Type	0 = Normally Open, 1 = Normally Closed		GENS_CFG	0=NORM OPEN
	Enthalpy Switch Type	0 = Normally Open, 1 = Normally Closed		ENTH_CFG	0=NORM OPEN
	General Status shutdown?	Yes/No		GENFATAL	Yes
	Remote Shutdown ALM Type	0=Normal, 1=Emergency		ROFFTYPE	0=Normal
	Fire Shutdown Switch	0 = Normally Open, 1 = Normally Closed, 2 = No Switch		FIRE_CFG	2: no FIOP 0: FIOP
	SPRH Sensor Value at 4mA	0 to 100	%	SPRH_4MA	
	SPRH Sensor Value @ 20mA	0 to 100	%	SPRH20MA	
	IAQ Sensor Value at 4mA	0 to 5000	ppm	IAQ_4MA	0
	IAQ Sensor Value at 20mA	0 to 5000	ppm	IAQ_20MA	2000
	OAQ Sensor Value at 4mA	0 to 5000	ppm	OAQ_4MA	0
	OAQ Sensor Value at 20mA	0 to 5000	ppm	OAQ_20MA	2000
	OARH Sensor Value at 4mA	0 to 100	%	OARH_4MA	0
	OARH Sensor Val. at 20mA	0 to 100	%	OARH20MA	100
	RARH Sensor Value at 4mA	0 to 100	%	RARH_4MA	0
	RARH Sensor Value @ 20mA	0 to 100	%	RARH20MA	100
	OACFM value at 4MA	0 to 100	cfm	OACFM_4MA	
OACFM Value at 20mA	0 to 100	cfm	OACFM20MA		
IDF_CFG	Indoor Fan Type	0 to 2		IDFTYPE	1=All Units except sizes 04-06 fan option "0" 2= fan option 0 on sizes 04-06
	Number Of Fan Speeds	2 to 3		NUMFSPDS	
	Fan On When Occupied	Yes/No		FANON_OC	
	Shut Down on IDF Failure	Yes/No		FATALFAN	
	Fan Status SW Type			FANSTCFG	
	Fan Status Channel			FNSTCHAN	
	IDF Manual Limit SW Typ			LSM_CFG	
	IDF LSM Channel			LSM_CHAN	
	IDF Min Start RPM	xxxx	RPM	IDFSTSPD	
	IDF Start Speed Time	xxx	sec	IDFSSTIM	
	IDF curve RPM max	xxxx	RPM	IFMHNIRPM	
	IDF curve RPM min	xxxx	RPM	IFMLORPM	
	IDF curve PWM max	0 to 100	%	IFMHIPWM	
	IDF curve PWM min	0 to 100	%	IFMLOPWM	
	IDF Min RPM SP	xxxx	RPM	RPMMINSP	
	IDF Vent RPM SP	xxxx	RPM	RPM_VENT	
	IDF Heat RPM SP	xxxx	RPM	RPM_HEAT	
	IDF Free Cool RPM SP	xxxx	RPM	RPM_FCL	
	IDF Low Cool RPM SP	xxxx	RPM	RPM_LCL	
	IDF High Cool RPM SP	xxxx	RPM	RPM_HCL	
	IDF Max RPM SP	xxxx	RPM	RPMMAXSP	

**APPENDIX D: SystemVu™ Controller CCN Tables**  
**Service Config Tables (cont)**

Table Name	Display Name	Range	Units	Point Name	Default
COOL_CFG	Number of Cooling Stages	0 to 3		NUMCSTGS	3
	Low Cool Compressor	1 to 2		LC_COMP	1
	1 = Compressor A1				
	2 = Compressor A2				
	Compressor Min On Time	180 to 600	sec	C_MINON	300
	Compressor Min Off Time	120 to 600	sec	C_MINOFF	180
	Runtime to Reset Strikes	120 to 999	sec	MIN_ON_S	300
	Cool Stage Increase Time	120 to 999	sec	CSTAGINC	450
	Cooling SAT Trend Level	-1 to 1	^ F/min	SAT_TLC	-0.2
	Cool Min SAT Upper Level	35.0 to 65.0	° F	SATMIN_H	56 (sizes 04-06) 53 (sizes 07-12) 56 (sizes 14-26)
	Cool Min SAT Lower Level	35.0 to 65.0	° F	SATMIN_L	46 (sizes -4-06) 42 (sizes 07-12) 46 (sizes 14-26)
	Cooling Fan-off Delay	0 to 600	sec	COOL_FOD	75
	Circuit A Lockout Temp	-20 to 75	° F	OATLCMPA	0: no Economizer FIOP 40: Economizer FIOP
	Low Ambient Temperature	0-80	° F	LA_TEMP	66
	Low Cool lockout Temp	-20 to 60	° F	LCLOCKSP	10 (sizes 04-06) 30 (sizes 07-12) 40 (sizes 14-26)
	Medium Cool lockout Temp	-20 to 60	° F	MCLOCKSP	20 (sizes 07-12) 30 (sizes 14-26)
	Humidimizer Lockout Temp	-20 to 75	° F	OATLHUMZ	
	Space RH Deadband	0	%	SPRH_DB	
	Low Refrig Charge Level	0 to 150	psi	LOCHARGE	50
	Low Charge Disable Temp	-40 to 50	° F	LOCH_LOT	10
	CirA High Pressure Limit	400 to 700	psig	HIPLIM_A	600
	Low Discharge Level	5 to 20	° F	SDTLEV	7
	Minimum pressure ratio	0 to 5		MINPSI_R	1.35
	Suction OK Temperature	10 to 50	° F	SSTOK	18
	Low Suction Level 1 Temp	10 to 50	° F	SSTLEV1	20
	Low Suction Level 2 Temp	5 to 50	° F	SSTLEV2	15
	Low Suction Level 3 Temp	0 to 50	° F	SSTLEV3	10
	Delay On Low SST Check	0 to 300	sec	SSTCKDLY	0
	Comp Level 2 Diag Delay	1 to 99	sec	CDDTLEV2	15 (sizes 04-12) 40 (sizes 14-26)
	Diag Comp Unexpected Off	Enable/Disable		CD_UEOFF	Enable
	Circuit Stuck On Diag.	Enable/Disable		DCKTOFF	Enable
	Min discharge change	0 to 99	psi	MDP_DISA	11 (sizes 04-12) 17 sizes 14-26)
	Min Suction change	0 to 99	psi	MDP_SUCA	4 (sizes 04-06) 6.5 (size 07) 8 (size 08) 7 (sizes 09-12) 14 (sizes 14-26)
	CirA P:Ratio off change	-1 to 1		OFFPR_A	-0.2 (sizes 04-07, 09-14) -0.3 (sizes 08, 17-26)

**APPENDIX D: SystemVu™ Controller CCN Tables**  
**Service Config Tables (cont)**

Table Name	Display Name	Range	Units	Point Name	Default	
ODF_CFG	Number of ODF Outputs	0 to 3		NUM_ODF	1 (sizes 04–06) 2 (sizes 07,17, or 20) 3 (sizes 08–14, 24–26)	
	ODF Relay Enabled			OFR_EN		
	ODF High Cool Speed	0 to 1200	rpm	ODFHCSPD	1000 (size 04) 1075 (sizes 05–06) 550 (sizes 07–12) 700 (sizes 14–17, 26)	
	ODF Low Cool Speed	0 to 1200	rpm	ODFLCSPD	1000 (size 04) 1075 (sizes 05–06) 700 (sizes 07, 12, 24) 600 (size 08) 650 (size 09) 800 (sizes 14, 17, 26) 750 (size 20)	
	ODF Maximum Speed	0 to 1200	rpm	ODFMAXSP	1000 (size 04) 1075 (sizes 05–06) 950 (sizes 07, 09) 900 (size 08) 1000 (sizes 12–26)	
	ODF Med Cool Speed	0 to 1200	rpm	ODFMCSPD	1000 (size 04) 1075 (sizes 05–06) 950 (sizes 07, 09) 900 (size 08) 1000 (sizes 12–26)	
	ODF Minimum Speed	0 to 1200	rpm	ODFMINSP	160	
	Low Ambient Temperature	0 to 80		LA_TEMP	66	
	ODF Gain	-100 to 100		ODF_KC	50 (sizes 04–06) 1 (size 07) 2 (sizes 08–12) 1.8 (sizes 14–20) 1.4 (sizes 24–26)	
	ODF anti-windup factor	-100 to 100		ODF_NI	0.60	
	ODF Integral Time	-100 to 100		ODF_TI	20 (sizes 04–12) 40 (sizes 14–26)	
	ODF Map Bias Term 1	-200 to 200		ODFBIAS1	72.5 (sizes 04–06) 66.7 (size 07) -44.55 (sizes 08–12) 10 (sizes 14–20) 72.5 (sizes 24–26)	
	ODF Map Bias Term 2	-200 to 200		ODFBIAS2	100.98 (sizes 04–06) 95.2 (size 07) 80.59 (sizes 08–12) 35.3 (sizes 14–20) 100.98 (sizes 24–26)	
	ODF Map Bias Term 3	-200 to 200		ODFBIAS3	20.93 (sizes 04–06) 0 (sizes 07, 14–20) 65.29 (sizes 08–12) 114.74 (sizes 24–26)	
	ODF Fan Switch Point 1	-100 to 100		ODFPIUP1	3.68 (size 07) 3.4 (sizes 08–12) 4.84 (sizes 14–20) 1.58 (sizes 24–26)	
	ODF Fan Switch Point 2	-100 to 100		ODFPIUP2	17.1 (size 07) 9.06 (sizes 08–12) 22.3 (sizes 14–20)	
	ODF Fans Switch Point 3	-100 to 100		ODFPIUP3	100 (sizes 07, 14–20) 19.76 (sizes 08–12) 20.93 (sizes 24–26)	
	ODF Proportional ctrl Pr	-100 to 100		ODFPR_KC	1.4 (sizes 04–06) 25 (sizes 07–12) 50 (sizes 14–26)	
	ODF Map Slope Term 1	-100 to 100		ODFSLPE1	55.33 (sizes 04–06) 25.3 (size 07) 60.09 (sizes 08–12) 31 (sizes 14–20) 55.33 (sizes 24–26)	
	ODF Map Slope Term 2	-100 to 100		ODFSLPE2	19.07 (sizes 04–06) 9 (size 07) 18.69 (sizes 08–12) 9.6 (sizes 14–20) 19.07 (sizes 24–26)	
	ODF Map Slope Term 3	-100 to 100		ODFSLPE3	8.85 (sizes 04–06) 1 (sizes 07, 14–20) 9.34 (sizes 08–12) 8.85 (sizes 24–26)	
	Low Ambient Dehum Lev 1	0 to 80		°F	LAHTEMP1	
	Low Ambient Dehum Lev 2	0 to 61		°F	LAHTEMP2	
	Low Ambient Dehum Lev 3	0 to 55		°F	LAHTEMP3	
	LA Dehum SDT SP Lev 1	0 to 93		°F	LHSDTSP1	
	LA Dehum SDT SP Lev 2	0 to 93		°F	LHSDTSP2	
	LA Dehum SDT SP Lev 3	0 to 104		°F	LHSDTSP3	

**APPENDIX D: SystemVu™ Controller CCN Tables**  
**Service Config Tables (cont)**

Table Name	Display Name	Range	Units	Point Name	Default	
HEATCFG	Type of Heat Installed	0=Electric 1=Gas		HEATTYPE	0 (50 series) 1 (48 series)	
	Number of Heating Stages	0 to 2		NUMHSTGS	1 (50 Series, sizes 04–06 low or medium heat) 2 (all except below): 0 (50 series without FIOF heat), 1 (50 series, sizes 07–14 and low heat), 1 (50 series, sizes 07–12 and medium heat)	
	Heat Minimum On Time	60 to 600	sec	H_MINON	120	
	Heat Minimum Off Time	60 to 600	sec	H_MINOFF	120	
	Heat Stage Increase Time	120 to 999	sec	HSTAGINC	450	
	Heating SAT Trend Level	-1 to 1	^ F/min	SAT_TLH	0.2	
	Heat Max SAT Lower Level	85 to 200	° F	SATMAX_L	140	
	Heat Max SAT Upper Level	85 to 200	° F	SATMAX_H	160	
	Heating Fan-off Delay	10 to 600	sec	HEAT_FOD	30 (50 series) 45 (48 series)	
	Heating Lockout Temp	40 to 125	° F	OATLHEAT	75	
	SAT Heat Mode Sensing	Enable/Disable		SAT_HEAT	Disable	
	No IGC IFO input Timeout	0 to 60	min	NO_IGCTM	5	
	Pre-Heat HX without IDF?	Enable/Disable		PREHT_HX	Disable	
	Pre-Heat Fan On Delay	0 to 120	sec	PREHT_TM	30	
	SupplyAirTemperingEnable	Yes/No		SATEMPEN		
	SA tempering Set point	xx	° F	SATEMPSP		
	Max OAT for SA tempering	0	° F	OATSTEMP		
	ECON_CFG	Economizer Installed?	Yes/No		ECONO	No: no FIOF Yes: FIOF
		Econ Max Damper Position	0 to 100	%	DAMPMAX	100
		Economizer Travel Time	5 to 300	sec	ECONOTRV	150
IDF Max RPM SP		xxxx	RPM	RPM_MAXSP		
Econ Min at Max Fanspeed		0 to 100	%	MINP_MAX	30	
Min Pos – User Speed 1		0 to 100	%	MP_USPD1	0	
Min Pos – User Pos 1		0 to 100	%	MP_UPOS1	0	
Min Pos – User Speed 2		0 to 100	%	MP_USPD2	0	
Min Pos – User Pos 2		0 to 100	%	MP_UPOS2	0	
Min Pos – User Speed 3		0 to 100	%	MP_USPD3	0	
Min Pos – User Pos 3		0 to 100	%	MP_UPOS3	0	
Low Free Cool SAT Setpnt		40 to 80	° F	LCSASP	65	
High FreeCool SAT Setpnt		40 to 80	° F	HCSASP	55	
Free Cooling Max OAT		0 to 90	° F	MAXFREET	65	
Free Cooling Min Temp		-30 to 70	° F	MINFREET	0	
Diff. Dry Bulb Control		Enable/Disable		DIFFBULB	Disable	
Diff. Dry Bulb Deadband		0 to 20	° F	OATRATDB	3	
Max Enthalpy OA limit		1 to 99	Btu/lb	FREEMAXE	28	
Diff. Enthalpy Control		Enable/Disable		DIFFENTH	Disable	
Enthalpy Cross Deadband		0 to 20	Btu/lb	OAERAEDB	2	
ECONO PID – KP		0.00 to 99.90		ECONO_P	2.5	
ECONO PID – KI		0.00 to 99.90		ECONO_I	0.12	
ECONO PID – KD		0.00 to 99.90		ECONO_D	1	
ECONO PID – RATE		10 to 180	sec	ECONO_DT	15	
When to Unocc Free Cool? 0 = Disabled 1 = Pre-Occupancy 2 = Unoccupied		0 to 2		UFC_CFG	1=PreOcc	
UFC PreOcc Time		1 to 999	min	UFCTIME	120	
Unocc Free Cool Low Temp		-30 to 70	° F	OATLUFC	50	
PE Stage 1 at Max speed		0 to 100	%	PE1_PMAX	40	
PE1 Relay Channel	0=NONE, 1=MBB RLY11, 2=MBB RLY06		PE1_CHAN	0: no FIOF 2: FIOF		



**APPENDIX D: SystemVu™ Controller CCN Tables**  
**Service Config Tables (cont)**

Table Name	Display Name	Range	Units	Point Name	Default
ECON_CFG (cont)	PE Turn Off Dead band	0 to 100	%	PE_OFFDB	5
	PE2 Relay Channel	0=NONE, 1=MBB RLY11, 2=MBB RLY06		PE2_CHAN	0=None
	PE Stage 2 at max speed	0 to 100	%	PE2_PMAX	75
	T24 Heat/Cool End Delay	0 to 60	min	T24CHDLY	25
	T24Econ Min Move for SAT	10 to 20	%	T24ECSTS	10
	Damper SAT deadband	0 to 20	° F	T24SATDB	12
	T24 Min Diff in RAT – OAT	5 to 20	° F	T24RATDF	15
	T24 Test Minimum Pos	0 to 100	%	T24TSTMN	15
	T24 Test Maximum Pos	0 to 100	%	T24TSTMX	85
	IAQ_CFG	Analog Input IAQ Control	0 to 3		IAQANCFG
0 = No IAQ 1 = DCV 2 = IAQ Override 3 = MINPOS Control					
IAQ Position at Max Fan		0 to 100	%	IAQMINP	10
AQ Differential Low		0 to 5000	ppm	DAQ_LOW	100
AQ Differential High		0 to 5000	ppm	DAQ_HIGH	700
IAQ Preoccupancy Purge		Yes/No		IAQPURGE	Yes
IAQ Purge Pos at Max IDF		0 to 100	%	IAQPMAX	40
Preocc Purge Lockout OAT		0 to 70	° F	IAQP_LA	50
Preocc Purge Duration		5 to 120	min	IAQPTIME	15
IAQ Sensor Value at 4mA		0 to 5000	ppm	IAQ_4MA	0
IAQ Sensor Value at 20mA		0 to 5000	ppm	IAQ_20MA	2000
OAQ Sensor Value at 4mA		0 to 5000	ppm	OAQ_4MA	0
OAQ Sensor Value at 20mA		0 to 5000	ppm	OAQ_20MA	2000
IAQ override sw channel		0 to 6		IAQOCHAN	
IAQ Override Switch Type		Yes/No		IAQOSCFG	
USER_INS	Supply Voltage Leg 1	0 to 700	volts	L1VOLTS	
	Supply Voltage Leg 2	0 to 700	volts	L2VOLTS	
	Supply Voltage Leg 3	0 to 700	volts	L3VOLTS	
	Comp A1 Amps Leg 1	0 to 100	Amps	CA1L1_A	
	Comp A1 Amps Leg 2	0 to 100	Amps	CA1L2_A	
	Comp A1 Amps Leg 3	0 to 100	Amps	CA1L3_A	
	Comp A2 Amps Leg 1	0 to 100	Amps	CA2L1_A	
	Comp A2 Amps Leg 2	0 to 100	Amps	CA2L2_A	
	Comp A2 Amps Leg 3	0 to 100	Amps	CA2L3_A	
	Elec. Heat Amps Leg 1	0 to 100	Amps	EHTL1_A	
	Elec. Heat Amps Leg 2	0 to 100	Amps	EHTL2_A	
	Elec. Heat Amps Leg 3	0 to 100	Amps	EHTL3_A	
	Gas Supply Type	0 = Natural, 1 = LP		GASTYPE	
	GAS INLET PRESSURE	0 to 20	IN_HG_OF_KPAG	GASPRESS	
	STAGE 1 GAS PRESSURE	0 to 20	IN_HG_OF_KPAG	HT1PRESS	
STAGE 2 GAS PRESSURE	0 to 20	IN_HG_OF_KPAG	HT2PRESS		

**APPENDIX D: SystemVu™ Controller CCN Tables**  
**Service Config Tables (cont)**

Table Name	Display Name	Range	Units	Point Name	Default
ALM_CFG	ALM Relay Assigned Chan	0 to 2		ALM_CHAN	1=MBB RLY11
	0 = None				
	1 = MBB RLY11				
	2 = MBB RLY06				
	Thermostat Alerts	Yes/No		TSTAT_AL	Yes
	Hardware failures Alerts	Yes/No		HW_AL	Yes
	SAT/RAT Sensor Alerts	Yes/No		SATRATAL	Yes
	OAT Thermistor Alerts	Yes/No		OATRL_AL	Yes
	Space Sensors Alerts	Yes/No		SPACE_AL	Yes
	Transducer Sensor Alerts	Yes/No		TRANS_AL	Yes
	RH sensor failure Alert	Yes/No		RHS_AL	Yes
	Air Quality CO2 Alerts	Yes/No		CO2S_AL	Yes
	OACFM Alarm Relay	Yes/No		OACFM_AL	
	Economizer Alerts	Yes/No		ECON_AL	Yes
	Dirty Filter Alerts	Yes/No		FILT_AL	Yes
	General Status Alerts	Yes/No		GENS_AL	Yes
	Refrig Circuit Alerts	Yes/No		CKT_AL	Yes
Compressor Alerts	Yes/No		COMP_AL	Yes	
Heating failure Alerts	Yes/No		HEAT_AL	Yes	
Indoor Fan Alerts	Yes/No		FAN_AL	Yes	
Relay on Active IOBA	Yes/No		IOBFA_AL		
Relay on Active Faults	Yes/No		FAULT_AL	Yes	
ZSENSCFG	Zone Sensor 1 Address	0 to 255		ZSADDR1	255
	Zone Sensor 2 Address	0 to 255		ZSADDR2	255
	Zone Sensor 3 address	0 to 255		ZSADDR3	255
	Zone Sensor 4 address	0 to 255		ZSADDR4	255
	Zone Sensor 5 address	0 to 255		ZSADDR5	255
	ZS Force Unoccup enable	No		ZSFUNEN	No
	ZS Force unocc wt delay	No		ZSFUNWT	No
	Zone sensor poll rate	1 to 100	sec	ZSPOLLRT	5
	ZS TLO Cont Enable	No		ZSTLOEN	No
	ZS TLO set during occ	No		ZSTLSOC	No
Zone sensor UI Mode	1=Dual Offsets		ZSUIM	1=Dual Offsets	
Zone sensor unit	0=degrees F		ZSUNIT	0=degrees F	
TOUCHCFG	System Touch Device Inst	0 to 4194303		DEVST	
	System Touch Poll Rate	10 to 60	sec	POLLST	
	System Touch AI for SPT	0 to 9999		AISTSPT	
	System Touch AI for SPRH	0 to 9999		AISTSPRH	
TRIM	OAT Sensor Trim Offset	-10 to 10	° F	OAT_TRIM	0
	RAT Sensor Trim Offset	-30 to 30	° F	RAT_TRIM	0
	FST Sensor Trim Offset	-10 to 10	° F	FST_TRIM	0
	SPT Sensor Trim Offset	-30 to 30	° F	SPT_TRIM	0
	SPTO Sensor Offset Trim	-1 to 1	° F	SPTOTRIM	0
	SPRH Sensor Trim Offset	-15 to 15	%	SPRHTRIM	0
	IAQ sensor trim offset	-200 to 200	ppm	IAQ_TRIM	0
	OAQ Sensor Trim Offset	-200 to 200	ppm	OAQ_TRIM	0
	OARH Sensor Trim Offset	-15 to 15	%	OARHTRIM	0
	RARH Sensor Trim Offset	-15 to 15	%	RARHTRIM	0
	Cir.A SSP Sensor Trim	-50 to 50	psig	SSPATRIM	0
	Cir.A SDP Sensor Trim	-50 to 50	psig	SDPATRIM	0
	Econ Fdback Trim Offset	-15 to 15	%	EC1DTRIM	0
OACFM sensor trim offset	-10 to 10	cfm	OACFMTRIM	0	
DISPLAY	Metric Display	Yes/No		DISPUNIT	No
	Display Language Select	0=English, 1=Spanish, 2=French, 3=Portuguese		LANGUAGE	0=English
	LCD Contrast Adjustment	1 to 10		LCD_CONT	5
	User Password Protection	Enable/Disable		PASS_EBL	Enable
	User Password	0 to 9999		PASSWORD	1111

**APPENDIX D: SystemVu™ Controller CCN Tables  
Configuration Tables**

Table Name	Display Name	Range	Units	Point Name	Default
SCHEDOVR	CCN Schedule Number	0 = Always Occupied, 1 – 64 = Local Schedule, 65 – 99 = Global Schedule		SCHEDNUM	0
	Accept Global Holidays?	Yes/No		HOLIDAYT	No
	Global Schedule Broadcst	Yes/No		CCN_GSBC	No
	Timed Override Duration	0 to 4	hours	OTL_CFG	4
	Timed Override Remaining	0 to 240	min	OVR_EXT	Forcible
	Remote Occupancy Channel	0=None, 1=MBB DI12, 2=MBB DI13, 3=MBB DI14, 4=MBB DI02, 5=MBB DI04		RMOCCCHAN	0=None
	Allow Global Overrides	Yes/No		GLBLOVER	Yes
	Allow SPT Ovrd Cancel	Yes/No		CLROVCFG	No
BAS_CFG	BAS Protocol Select	0=NONE, 1=CCN, 2=BACNET		BMS_CFG	0=NONE
	Network Input Timeout	0 to 600	min	NETINTO	30
	CCN Bus Number	0 to 239		CCNBUS	0
	CCN Element Number	1 to 239		CCNADD	1
	CCN Baud Rate	0=9600, 1=19200, 2=38400		BAUDENUM	2
	BACnet ID Number	0 to 4194302		BAC_ID	1610101
	BACnet Device Macaddress	1 to 127		BAC_MAC	1
	BACnet BMS baud rate	0=9600, 1=19200, 2=38400, 3=57600, 4=76800, 5=115200		BAC_BAUD	4=76800
	BACnet ID Auto ID	Yes/No		BAC_AUID	Yes
	ALC Auto Id Scheme	Yes/No		AUID	Yes
	BACNET	BACnet ID Number	0 to 4194302		BAC_ID
BACnet Device Macaddress		1 to 127		BAC_MAC	1
BACnet BMS baud rate		0=9600, 1=19200, 2=38400, 3=57600, 4=76800, 5=115200		BAC_BAUD	4=76800
BACnet ID Auto ID		Yes/No		BAC_AUID	Yes
ALC Auto Id Scheme		Yes/No		AUID	Yes
BACnet device for IAQ		0 to 4194303		DEVIAQ	1610100
Object instance for IAQ		0 to 9999		OBJIAQ	1009
Change of value for IAQ		0 to 60		COVIAQ	0
BACnet device for OAQ		0 to 4194303		DEVOAQ	1610100
Object instance for OAQ		0 to 9999		OBJOAQ	285
Change of value for OAQ		0 to 60		COVOAQ	0
BACnet device for OARH		0 to 4194303		DEVOARH	1610100
Object instance for OARH		0 to 9999		OBJOARH	1022
Change of value for OARH		0 to 60		COVOARH	0
BACnet device for OAT		0 to 4194303		DEVOAT	1610100
Object instance for OAT		0 to 9999		OBJOAT	1003
Change of value for OAT		0 to 60		COVOAT	0
BACnet device for RARH		0 to 4194303		DEVRARH	1610100
Object instance for RARH		0 to 9999		OBJRARH	30
Change of value for RARH		0 to 60		COVRARH	0
BACnet device for RAT		0 to 4194303		DEVSTAT	1610100
Object instance for RAT		0 to 9999		OBJRAT	1010
Change of value for RAT		0 to 60		COVRAT	0
BACnet device for SPT		0 to 4194303		DEVSPAT	1610100
Object instance for SPT		0 to 9999		OBJSPT	2007
Change of value for SPT		0 to 60		COVSPT	0
Allow Local Sched Edit		Yes/No		LCL_EDIT	

**APPENDIX D: SystemVu™ Controller CCN Tables**  
**Configuration Tables (cont)**

Table Name	Display Name	Range	Units	Point Name	Default
BRODEFS	CCN Broadcast Ack'er	Yes/No		CCNBCACK	No
	Global Schedule Broadcst	Yes/No		CCN_GSBC	No
	CCN Time Broadcast	Yes/No		CCNBC	No
	Broadcast OAT On Network	Yes/No		OATBC	No
	Broadcast OARH On Netwrk	Yes/No		OARHBC	No
	Broadcast OAQ On Network	Yes/No		OAQBC	No
	Broadcast IAQ On Network	Yes/No		IAQBC	No
	DST allowed?	Enable/Disable		DST_CFG	Enable
	DST Start Month	1=JANUARY, 2=FEBRUARY, 3=MARCH, 4=APRIL, 5=MAY, 6=JUNE, 7=JULY, 8=AUGUST, 9=SEPTEMBER, 10=OCTOBER, 11=NOVEMBER, 12=DECEMBER		STARTM	3
	DST Start Week	1 to 5		STARTW	2
	DST Start Day	1=MONDAY, 2=TUESDAY, 3=WEDNESDAY, 4=THURSDAY, 5=FRIDAY, 6=SATURDAY, 7=SUNDAY		STARTD	7
	DST Minutes to Add	0 to 90	min	MINADD	60
	DST Stop Month	1=JANUARY, 2=FEBRUARY, 3=MARCH, 4=APRIL, 5=MAY, 6=JUNE, 7=JULY, 8=AUGUST, 9=SEPTEMBER, 10=OCTOBER, 11=NOVEMBER, 12=DECEMBER		STOPM	11
DST Stop Week	1 to 5		STOPW	1	
DST Stop Day	1=MONDAY, 2=TUESDAY, 3=WEDNESDAY, 4=THURSDAY, 5=FRIDAY, 6=SATURDAY, 7=SUNDAY		STOPD	7	
DST Minutes to Subtract	0 to 90	min	MINSUB	60	
Time in day to start DST	0 to 600	min	DST_TOD	120	
ALARMDEF	Alarm Routing Control	00000000 to 11111111		ALRM_CNT	11000000
	Equipment Priority	0 to 7		EQP_TYPE	5
	Comm Failure Retry Time	1 to 240	min	RETRY_TM	10
	Re-Alarm Time	1 to 255	min	RE-ALARM	180
	Alarm System Name	up to 8 alphanumeric		ALRM_NAM	48_50LC_
HOLIDAY HOLDYxxS MON DAY LEN (repeat up to xx=30 Holidays)	Holiday Start Month	1 to 12 = January to December		HD01STMN – HD30STMN	0
	Holiday Start Day	1 to 31		HD01STDY – HD30STDY	0
	Holiday Duration (days)	1 to 99		HD01LEN – HD30LEN	0
OCCDEFCS OCCPC01S (repeat up to x=8 periods)	Timed Override Remaining	0 to 240	min	OVR_EXT	Forcible
	Period x DOW (MTWTFSSH)	00000000 to 11111111		DOWx	00000000
	Occupied from	hh:mm		OCCTODx	00:00
	Occupied to	hh:mm		UNOCTODx	00:00

## APPENDIX D: SystemVu™ Controller CCN Tables

### Setpoint Table

Table Name	Display Name	Range	Units	Point Name	Default
SET_PNT	Occupied Cool Setpoint	55 to 80	°F	OCSP	78
	Occupied Heat Setpoint	55 to 80	°F	OHSP	68
	Unoccupied Cool Setpoint	65 to 95	°F	UCSP	85
	Unoccupied Heat Setpoint	40 to 80	°F	UHSP	60
	Heat – Cool Setpoint Gap	2 to 10	^F	HCSP_GAP	5
	SPT Offset Range (+/-)	0 to 5	°F	SPTO_RNG	5
	Occupied SPRH Setpoint	0 to 100	%	SPRH_OSP	55
	Unoccupied SPRH Setpoint	0 to 100	%	SPRH_USP	55

### Control ID Table

Table Name	Display Name	Range	Units	Point Name	Default
CTRLID	Device Name:	48_50LC_			
	Description:	text string			
	Location:	text string			
	Software Part Number:	CESR131651-XX-XX			
	Model Number:	2 to 10			
	Serial Number:	0 to 5			
	Reference Number:	0 to 5			



## APPENDIX E: BACnet\* Points List

Point Name	Type	BACnet Object ID	Alias (CCN Point Name)	BACnet Object Name
Actual Cooling Stages	BMAV	AV:194		actcstgs
Actual Heating Stages	BMAV	AV:46		acthstgs
Actual Indoor Fan speed	BMAV	AV:6	fanfb	sf_vfd_feedback
Air Quality Differential	BMAV	AV:195		aq_diff
Alarm Display Info	BMAV	AV:14		alarm_info
Alarm Relay Reset Count	BMAV	AV:99		rs_alm
Alarm Relay Run Hours	BMAV	AV:49	hr_alm	hour_alarm
Alarm Relay Starts	BMAV	AV:136		st_alm
Alarm Resets Count	BMAV	AV:137		st_alrst
Altitude in Feet	BMAV	AV:159		altitude
AQ Differential High	BMAV	AV:212		daq_high
AQ Differential Low	BMAV	AV:213		daq_low
AQP Offset	BMAV	AV:364		aqp_offs
BACKUP Preparation Time	BMAV	AV:336		bkpreptm
BACnet device for IAQ	BMAV	AV:8001		deviaq
BACnet device for OAQ	BMAV	AV:8002		devoaq
BACnet device for OARH	BMAV	AV:8004		devoarh
BACnet device for OAT	BMAV	AV:8003		devoat
BACnet device for RARH	BMAV	AV:8005		devrarh
BACnet device for RAT	BMAV	AV:8006		devrat
BACnet device for SPRH	BMAV	AV:8028		devsprh
BACnet device for SPT	BMAV	AV:8007		devspt
BACnet Device ID	BMAV	AV:188		bac_id
BACnet Device MAC address	BMAV	AV:189		bac_mac
Barometric Pressure	BMAV	AV:161		barp
Block Number in Master Zone	BMAV	AV:262		lnk_mzbn
Brightness Adjustment	BMAV	AV:165		brts_adj
CCH OAT Threshold	BMAV	AV:2		cch_max_t
CCHR1 HR Reset Count	BMAV	AV:294		rs_cchr1
CCHR1 Number of Starts	BMAV	AV:301		st_cchr1
Change of value for IAQ	BMAV	AV:8015		coviaq
Change of value for OAQ	BMAV	AV:8016		covoaq
Change of value for OARH	BMAV	AV:8018		covoarh
Change of value for OAT	BMAV	AV:8017		covioat
Change of value for RARH	BMAV	AV:8019		covrarh
Change of value for RAT	BMAV	AV:8020		covrat
Change of value for SPRH	BMAV	AV:8030		covsprh
Change of value for SPT	BMAV	AV:8021		covspt
Circuit A Pressure Ratio	BMAV	AV:204		cira_pr
Circuit A Saturated Discharge Temperature	BMAV	AV:295		sdt_a
Circuit A Suction Temp	BMAV	AV:339		sst_a
CMP A1 Loader Reset Count	BMAV	AV:7012		rs_aldr
CMP A1 Loader Run Hrs	BMAV	AV:7010		hr_aldr
CMP A1 Loader Starts	BMAV	AV:7011		st_aldr
Commanded IDF Speed	BMAV	AV:2027	fanspeed	vfd_output
Comp A1 Reset Count	BMAV	AV:97		rs_a1
Comp A2 Reset Count	BMAV	AV:98		rs_a2
Compressor A1 Run Hrs	BMAV	AV:47	hr_a1	hour_a1
Compressor A1 Starts	BMAV	AV:134		st_a1
Compressor A1 strikes	BMAV	AV:192		a1strike
Compressor A1 Timeguard	BMAV	AV:162		timgd_a1
Compressor A2 Run Hrs	BMAV	AV:48	hr_a2	hour_a2
Compressor A2 Starts	BMAV	AV:135		st_a2
Compressor A2 Strikes	BMAV	AV:193		a2strike
Compressor A2 Timeguard	BMAV	AV:157		timgd_a2
Compressor Loader Timeguard	BMAV	AV:164		timg_ald
Compressor Min Off Time	BMAV	AV:202		c_minoff
Compressor Min On Time	BMAV	AV:203		c_minon
Contrast Adjustment	BMAV	AV:167		cntr_adj
Cool Demand	BMAV	AV:206		cool_dmd
Cool Demand Trend	BMAV	AV:205		cldtrend
COOL DMD Offset level 1	BMAV	AV:400		cdlm_level1
COOL DMD Offset level 2	BMAV	AV:401		cdlm_level2
COOL DMD Offset level 3	BMAV	AV:402		cdlm_level3

\* BACnet is a registered trademark of ASHRAE (American Society of Heating, Refrigerating and Air-Conditioning Engineers).

## APPENDIX E: BACnet Points List (cont)

Point Name	Type	BACnet Object ID	Alias (CCN Point Name)	BACnet Object Name
Cooling Fan–Off Delay	BMAV	AV:207		cool_fod
Cooling Liquid Valve Resets Count	BMAV	AV:455		rs_clv_a
Cooling Liquid Valve Run Hours	BMAV	AV:457		hr_clv_a
Cooling Liquid Valve Starts	BMAV	AV:459		st_clv_a
Cooling Required	BMAV	AV:257		lnk_creq
Cool Set Point in Effect	BMAV	AV:208	csp_eff	effective_cooling
Cool Shed 1 demand band	BMAV	AV:6014		cooling_shed1
Cool Shed 2 demand band	BMAV	AV:6015	coolsh1	cooling_shed2
Cool Shed 3 demand band	BMAV	AV:6016	coolsh2	cooling_shed3
Cool Time Select Guard	BMAV	AV:40	coolsh3	cl_sel_timeguard
Crankcase Heater 1 Hours	BMAV	AV:242	hr_cchr1	hour_cchr1
Damper Actual Position	BMAV	AV:2022	damppos	oa_dmpr_pos
Damper Commanded Pos	BMAV	AV:4		dmpr_cmd
Damper Max Position	BMAV	AV:185		dampmax
Damper Motor Reset Count	BMAV	AV:102		rs_damp
Damper Motor Run Hours	BMAV	AV:51	hr_damp	hour_damp
Damper Motor Starts	BMAV	AV:139		st_damp
Damper Position	BMAV	AV:258		lnk_dpos
Damper Test Position	BMAV	AV:118		s_damper
Delay On Low SST Check	BMAV	AV:300		sstckdly
Demand Time Guard 1	BMAV	AV:311		tdmd_tg1
Demand Time Guard 2	BMAV	AV:186		tdmd_tg2
Demand Time Guard 3	BMAV	AV:187		tdmd_tg3
Differential Temperature	BMAV	AV:78		oa_ra_diff_temp
Differential Enthalpy	BMAV	AV:77		oa_ra_diff_enth
Econo Actual Position	BMAV	AV:211		dampact
Economizer Travel Time	BMAV	AV:226		eeconotr
Effective Deadband	BMAV	AV:6007	effdb	effective_deadband
Effective Demand Temperature	BMAV	AV:163		temp_eff
Effective Zone Setpoint	BMAV	AV:6006	effsp	effective_setpoint
Fan Supply Air Temp	BMAV	AV:10	fst	idf_sa_temp
FBD Low Set Point	BMAV	AV:438		fbdlosp
FBD SAT Min value	BMAV	AV:436		fbdh_sat
FBD SST Min value	BMAV	AV:437		fbdh_sst
Filter Change Time	BMAV	AV:2019		filter_service_hrs
Filter Time Left	BMAV	AV:2015		filter_rntm
Free Cooling Fan Speed	BMAV	AV:230		fspd_free_cool
Free Cooling Reset Count	BMAV	AV:104		rs_freec
Free Cooling Run Hours	BMAV	AV:53	hr_freec	hour_free_cl
Free Cooling Starts	BMAV	AV:141		st_freec
Full Load Reset Count	BMAV	AV:103		rs_fload
Heat Cool Setpoint Gap	BMAV	AV:238	hcsp_gap	actual_min_setpoint_width
Heat Demand Trend	BMAV	AV:244		htdtrend
Heat DMD Offset level 1	BMAV	AV:403		hdlm_level1
Heat DMD Offset level 2	BMAV	AV:404		hdlm_level2
Heat DMD Offset level 3	BMAV	AV:405		hdlm_level3
Heater Min Off Time	BMAV	AV:235		h_minoff
Heater Min On Time	BMAV	AV:236		h_minon
Heat Fan Speed	BMAV	AV:232		fspd_heat
Heating Demand	BMAV	AV:240		heat_dmd
Heating Fan–Off Delay	BMAV	AV:241		heat_fod
Heating Required	BMAV	AV:259		lnk_hreq
Heat Level Up	BMAV	AV:239		hdmd_lup
Heat Select Time Guard	BMAV	AV:45	heatmstg	ht_sel_timeguard
Heat Setpoint in Effect	BMAV	AV:243	hsp_eff	effective_heating
Heat Shed 1 demand band	BMAV	AV:6011	heatsh1	heating_shed1
Heat Shed 2 demand band	BMAV	AV:6012	heatsh2	heating_shed2
Heat Shed 3 demand band	BMAV	AV:6013	heatsh3	heating_shed3
Heat Stage 1 Reset Count	BMAV	AV:106		rs_htr
Heat Stage 1 Run Hours	BMAV	AV:54		hour_htr
Heat Stage 1 Starts	BMAV	AV:142		st_htr
Heat Stage 1 Timeguard	BMAV	AV:173		timgd_h1
Heat Stage 2 Reset Count	BMAV	AV:107		rs_htr_2
Heat Stage 2 Run Hours	BMAV	AV:55		hour_htr_2

## APPENDIX E: BACnet Points List (cont)

Point Name	Type	BACnet Object ID	Alias (CCN Point Name)	BACnet Object Name
Heat Stage 2 Starts	BMAV	AV:143		st_htr_2
Heat Stage 2 Timeguard	BMAV	AV:50		timgd_h2
High Cool Demand On	BMAV	AV:215	dmdhcon	dark_blue_width
High Cool Fan Speed	BMAV	AV:231		fspd_high_cool
High FreeCool SAT Setpoint	BMAV	AV:237	hcsasp	high_cool_sasp
High Heat Demand On	BMAV	AV:217	dmdlhon	orange_width
How long to wait before cancelling TLO	BMAV	AV:6029	tlocan	tlo_cancel
Humidifier Level Test	BMAV	AV:414		s_hmzlev
IAQ Channel Number	BMAV	AV:7		iaq_channel
IAQ DCV Curve – Pos 3	BMAV	AV:198		aq_pos3
IAQ Min Pos Damper Pos1	BMAV	AV:196		aq_pos1
IAQ Min Pos Damper Pos2	BMAV	AV:197		aq_pos2
IAQ Min Position Speed 1	BMAV	AV:199		aq_spd1
IAQ Min Position Speed 2	BMAV	AV:200		aq_spd2
IAQ Min Position Speed 3	BMAV	AV:201		aq_spd3
IAQ Offset	BMAV	AV:245		iaq_offs
IAQ Sensor Value at 4mA	BMAV	AV:13		iaq_4ma
IAQ Sensor Value at 20mA	BMAV	AV:12		iaq_20ma
IDF Fan Speed Request	BMAV	AV:35		req_fan_spd
IDF Speed Test	BMAV	AV:119		s_idfspd
IDF VFD Message Timeout Time	BMAV	AV:166		cnt_t_out
IGC IFO input Timeout	BMAV	AV:281		no_igctm
Indoor Air Quality Level(ppm)	BMAV	AV:1009		iaq
Indoor Fan Reset Count	BMAV	AV:108		rs_idf
Indoor Fan Run Hours	BMAV	AV:56		hour_idf
Indoor Fan Starts	BMAV	AV:144		st_idf
Indoor Fan Vent speed	BMAV	AV:9		idf_vent_speed
LA Dehum SDT SP Lev 1	BMAV	AV:430		lhsdts1
LA Dehum SDT SP Lev 2	BMAV	AV:431		lhsdts2
LA Dehum SDT SP Lev 3	BMAV	AV:432		lhsdts3
Language Selection	BMAV	AV:172		language
LinkageAvg/referZonetemp	BMAV	AV:256		lnk_azt
Linkage CCN Bus number	BMAV	AV:272		lnk_supb
Linkage CCN element	BMAV	AV:273		lnk_supe
Linkage Equipment Mode	BMAV	AV:261		lnk_mode
Linkage Occupied Cool Setpoint	BMAV	AV:264		lnk_ocsp
Linkage Occupied Heat Setpoint	BMAV	AV:266		lnk_ohsp
Linkage Occupied Zone Temp	BMAV	AV:255		lnk_aozt
Linkage Optimal Start Active	BMAV	AV:267		lnk_opst
Linkage Start Time Bias	BMAV	AV:269		lnk_sbt
Linkage Supply Air Temp	BMAV	AV:268		lnk_sat
Linkage Unoccupied Cool Setpoint	BMAV	AV:274		lnk_ucsp
Linkage Unoccupied Heat Setpoint	BMAV	AV:275		lnk_uhsp
Liq Diverter Valve Resets Count	BMAV	AV:388		rs_ldv_a
Liq Diverter Valve Run Hours	BMAV	AV:380		hour_ldv_a
Liq Diverter Valve Starts	BMAV	AV:384		st_ldv_a
Local Outdoor Air Temp Sensor	BMAV	AV:286		oat_loc
Local Return Air Temp Sensor	BMAV	AV:291		rat_loc
Local Space Temperature Sensor	BMAV	AV:297		spt_loc
Local Standard Time offset	BMAV	AV:191		utc_ofst
Low Ambient Temp Dehum Lev 1	BMAV	AV:427		lahtemp1
Low Ambient Temp Dehum Lev 2	BMAV	AV:428		lahtemp2
Low Ambient Temp Dehum Lev 3	BMAV	AV:429		lahtemp3
Low Charge Lockout Temp	BMAV	AV:276		loch_lot
Low Charge Pressure Lmt	BMAV	AV:277		locharge
Low Cool Demand Off	BMAV	AV:218		dmdlcoff
Low Cool Demand On	BMAV	AV:219	dmdlcon	light_blue_width
Low Cool Fan Speed	BMAV	AV:233		fspd_low_cool
Low Cool SAT Setpoint	BMAV	AV:254	lcsasp	low_cool_sasp
Low Heat Demand Off	BMAV	AV:220		dmdlhoff
Low Heat Demand On	BMAV	AV:221	dmdlhon	yellow_width
Manual Alarm Reset Count	BMAV	AV:100		rs_alrst
Max Allowed Cool Stages	BMAV	AV:278		max_cstgs
Max Allowed Heat Stages	BMAV	AV:279		max_hstgs
Max Fan Speed Count	BMAV	AV:145		st_maxf



## APPENDIX E: BACnet Points List (cont)

Point Name	Type	BACnet Object ID	Alias (CCN Point Name)	BACnet Object Name
MaxFan Speed Reset Count	BMAV	AV:109		rs_maxf
Max Fan Speed Run Hours	BMAV	AV:57	hr_maxf	hour_max_fan
Max Free Cooling Temperature	BMAV	AV:67	maxfreet	max_free_cl_temp
Max Free Enthalpy	BMAV	AV:44		max_enth
Maximum AirFlow	BMAV	AV:260		lnk_mair
Maximum IDF Speed	BMAV	AV:36		speed_max
Med Cool Demand On	BMAV	AV:223		dmdmcon
Medium Cool Fan Speed	BMAV	AV:234		fspd_medium_cool
Min Free Cooling Temp	BMAV	AV:71		min_free_cl_temp
Min IAQ Position	BMAV	AV:246		iaqminp
Min Position Def Pos 1	BMAV	AV:319		mp_dpos1
Min Position Def Pos 2	BMAV	AV:290		mp_dpos2
Min Position Def Pos 3	BMAV	AV:320		mp_dpos3
Min Position Def Speed 1	BMAV	AV:321		mp_dspd1
Min Position Def Speed 2	BMAV	AV:322		mp_dspd2
Min Position Def Speed 3	BMAV	AV:323		mp_dspd3
Min Position Maximum	BMAV	AV:318		minp_max
Min Position Position 1	BMAV	AV:324		mp_pos1
Min Position Position 2	BMAV	AV:325		mp_pos2
Min Position Position 3	BMAV	AV:326		mp_pos3
Min Position Speed 1	BMAV	AV:327		mp_spd1
Min Position Speed 2	BMAV	AV:15		mp_spd2
Min Position Speed 3	BMAV	AV:328		mp_spd3
Min Position User Pos 1	BMAV	AV:329		mp_upos1
Min Position User Pos 2	BMAV	AV:330		mp_upos2
Min Position User Pos 3	BMAV	AV:331		mp_upos3
Min Position User Spd 1	BMAV	AV:222		mp_uspd1
Min Position User Spd 2	BMAV	AV:5		mp_uspd2
Min Position User Spd 3	BMAV	AV:138		mp_uspd3
Min Pos User Point 1	BMAV	AV:332		mp_upt1
Min Pos User Point 2	BMAV	AV:333		mp_upt2
Min Pos User Point 3	BMAV	AV:214		mp_upt3
Min time at ODF maxSpeed	BMAV	AV:280		minodftm
Minutes Until Occupied	BMAV	AV:175		mintiloc
Momentary Setpoint Adj	BMAV	AV:6022	moset	momentary_setpoint_adj
Momentary TLO Adjustment	BMAV	AV:6025	motlo	momentary_tlo
Motor Current	BMAV	AV:16		mot_current
Motor Frequency	BMAV	AV:17	motfreq	mot_frequency
Motor Nominal Speed	BMAV	AV:18		mot_nom_speed
Motor Voltage	BMAV	AV:20		mot_volt
Network Indoor Air Quality	BMAV	AV:7001		iaq_net
Network OA Relative Humidity	BMAV	AV:7003		oarh_net
Network Outdoor Air CFM	BMAV	AV:371		ocfm_net
Network Outdoor Air Quality	BMAV	AV:7002		oaq_net
Network Outdoor Air Temp	BMAV	AV:7007		oat_net
Network RA Relative Humidity	BMAV	AV:7004		rarh_net
Network Return Air Temp	BMAV	AV:7005		rat_net
Network Space Relative Humidity	BMAV	AV:376		sprh_net
Network Space Temperature	BMAV	AV:7006		spt_net
Next Occupied Time	BMAV	AV:176		nxtocctim
Next Unoccupied Time	BMAV	AV:177		nxtuntim
Number of Active Alerts	BMAV	AV:334	numalrts	num_active_alerts
Number of Active Faults	BMAV	AV:335		num_active_faults
Number Of Cooling Stages	BMAV	AV:283		numcstgcs
Number Of Heating Stages	BMAV	AV:284		numhstgcs
Number of ODF speed signals	BMAV	AV:75		num_odef
OACFM Assigned Channel	BMAV	AV:370		ocfmchan
OACFM Value at 4mA	BMAV	AV:369		ocfm_4ma
OACFM Value at 20mA	BMAV	AV:417		ocfm20ma
OARH Channel Number	BMAV	AV:23		oarh_channel
OARH Sensor Value at 4mA	BMAV	AV:21		oarh_4ma
OARH Sensor Value at 20mA	BMAV	AV:22		oarh_20ma
Object instance for IAQ	BMAV	AV:8008		objiaq
Object instance for OAQ	BMAV	AV:8009		objoaq
Object instance for OARH	BMAV	AV:8011		objoarh

## APPENDIX E: BACnet Points List (cont)

Point Name	Type	BACnet Object ID	Alias (CCN Point Name)	BACnet Object Name
Object instance for OAT	BMAV	AV:8010		objoat
Object instance forRARH	BMAV	AV:8012		objrarh
Object instance for RAT	BMAV	AV:8013		objrat
Object instance for SPRH	BMAV	AV:8029		obsprh
Object instance for SPT	BMAV	AV:8014		objspst
Occ Override Timer	BMAV	AV:180		ovr_ext
Occupied Cooling Required	BMAV	AV:263		lnk_ocrq
Occupied Cool Setpoint	BMAV	AV:288	ocsp	occupied_cooling
Occupied Heating Required	BMAV	AV:265		lnk_ohrq
Occupied heat Setpoint	BMAV	AV:289	ohsp	occupied_heating
Occupied Setpoint Gap	BMAV	AV:6003	odb	occupied_deadband
Occupied Zone Setpoint	BMAV	AV:6002	osp	occupied_setpoint
ODF High Speed	BMAV	AV:82	odfhcspd	odf_hi_speed
ODF Lo AmbientTempConfig	BMAV	AV:253		la_temp
ODF Low Speed	BMAV	AV:83	odficspd	odf_lo_speed
ODF MAX Speed	BMAV	AV:86	odfmaxsp	odf_max_speed
ODF MED Speed	BMAV	AV:84	odfmcspd	odf_med_speed
ODF MIN Speed	BMAV	AV:85	odfminsp	odf_min_speed
ODF Output 1 Speed	BMAV	AV:26		odf1_rpm
ODF Output 2 Speed	BMAV	AV:27		odf2_rpm
ODF Output 3 Speed	BMAV	AV:28		odf3_rpm
ODF Output Speed	BMAV	AV:87	odfspd	odf_out_speed
ODF Speed 1 Reset Count	BMAV	AV:110		rs_odf1
ODF Speed 1 Run Hrs	BMAV	AV:58		hour_odf1
ODF Speed 1 Starts	BMAV	AV:302		st_odf1
ODF Speed 2 Reset Count	BMAV	AV:111		rs_odf2
ODF Speed 2 Run Hrs	BMAV	AV:59		hour_odf2
ODF Speed 2 Starts	BMAV	AV:146		st_odf2
ODF Speed 3 Reset Count	BMAV	AV:112		rs_odf3
ODF Speed 3 Run Hrs	BMAV	AV:60		hour_odf3
ODF Speed 3 Starts	BMAV	AV:147		st_odf3
Outdoor Air Enthalpy	BMAV	AV:76		oa_enth
Outdoor Air in CFM	BMAV	AV:416		oacfm
Outdoor Air Quality Level	BMAV	AV:285		oaq
Outdoor Air Rel Humidity	BMAV	AV:1022		oarh
Outdoor Air Temperature	BMAV	AV:1003	oat	oa_temp
PB Override Time Limit	BMAV	AV:179		otl_cfg
PE1 Reset Count	BMAV	AV:113		rs_pe
PE2 Reset Count	BMAV	AV:114		rs_pe_2
Power Exhaust 1 Channel	BMAV	AV:365		pe1_channel
Power Exhaust 1 Offset	BMAV	AV:317		pe1_offs
Power Exhaust 1 Pos 1	BMAV	AV:345		pe1_pos1
Power Exhaust 1 Pos 2	BMAV	AV:346		pe1_pos2
Power Exhaust 1 Pos 3	BMAV	AV:347		pe1_pos3
Power Exhaust 1 Pos Max	BMAV	AV:343		pe1_pmax
Power Exhaust 1 Run Hours	BMAV	AV:61		hour_pe
Power Exhaust 1 Speed 1	BMAV	AV:348		pe1_spd1
Power Exhaust 1 Speed 2	BMAV	AV:349		pe1_spd2
Power Exhaust 1 Speed 3	BMAV	AV:350		pe1_spd3
Power Exhaust 1 Starts	BMAV	AV:148		st_pe
Power Exhaust 2 Channel	BMAV	AV:366		pe2_channel
Power Exhaust 2 Offset	BMAV	AV:229		pe2_offs
Power Exhaust 2 Pos 1	BMAV	AV:351		pe2_pos1
Power Exhaust 2 Pos 2	BMAV	AV:352		pe2_pos2
Power Exhaust 2 Pos 3	BMAV	AV:353		pe2_pos3
Power Exhaust 2 Pos Max	BMAV	AV:344		pe2_pmax
Power Exhaust 2 Run Hours	BMAV	AV:62		hour_pe_2
Power Exhaust 2 Speed 1	BMAV	AV:354		pe2_spd1
Power Exhaust 2 Speed 2	BMAV	AV:355		pe2_spd2
Power Exhaust 2 Speed 3	BMAV	AV:356		pe2_spd3
Power Exhaust 2 Starts	BMAV	AV:149		st_pe_2
Power Exhaust Dead Band	BMAV	AV:316		pe_offdb
Power Resets Count	BMAV	AV:150		st_por
Power Resets Reset Count	BMAV	AV:115		rs_por
Preocc Purge Duration	BMAV	AV:252		iaqptime

## APPENDIX E: BACnet Points List (cont)

Point Name	Type	BACnet Object ID	Alias (CCN Point Name)	BACnet Object Name
Preocc Purge Lockout OAT	BMAV	AV:248		iaqp_la
Previous Unoccupied Time	BMAV	AV:182		prvuntim
RARH Channel Number	BMAV	AV:33		rarh_channel
RARH Sensor Value at 4mA	BMAV	AV:31		rarh_4ma
RARH Sensor Value at 20mA	BMAV	AV:32		rarh_20ma
Reheat Discharge Valve Resets Count	BMAV	AV:389		rs_rdv_a
Reheat Discharge Valve Run Hours	BMAV	AV:381		hour_rdv_a
Reheat Discharge Valve Starts	BMAV	AV:385		st_rdv_a
Reheating Liquid Valve Resets Count	BMAV	AV:456		rs_rlv_a
Reheating Liquid Valve Run Hours	BMAV	AV:458		hr_rlv_a
Reheat level 1 of Humidimizer Rst Count	BMAV	AV:390		rs_rqh1
Reheat level 1 of Humidimizer Run Hrs	BMAV	AV:382		hour_rqh1
Reheat level 1 of Humidimizer Starts	BMAV	AV:386		st_rqh1
Reheat level 2 of Humidimizer Rst Count	BMAV	AV:391		rs_rqh2
Reheat level 2 of Humidimizer Run Hrs	BMAV	AV:383		hour_rqh2
Reheat level 2 of Humidimizer Starts	BMAV	AV:387		st_rqh2
Reheat Liquid Valve Starts	BMAV	AV:460		st_rlv_a
Req Compr DehumStgs	BMAV	AV:413		reqdstgs
Requested Cooling Stages	BMAV	AV:292		req_cstgs
Requested Damper Pos	BMAV	AV:4006	damprq	dmpr_req_pos
Requested Heating Stages	BMAV	AV:293		req_hstgs
Reset Device	BMAV	AV:184		resetdev
Restore Completion Time	BMAV	AV:337		rstcomtm
Return Air Enthalpy	BMAV	AV:95		ra_enth
Return Air Rel Humidity	BMAV	AV:30		rarh
Return Air Temperature	BMAV	AV:1010		ra_temp
SA Tempering Set point	BMAV	AV:411		sup_air_temp_setpt
Saturated Dischrg Pres A	BMAV	AV:124		sdp_a
Saturated Suction Pres A	BMAV	AV:131		ssp_a
Service Test Reset Count	BMAV	AV:116		rs_stest
Service Test Run Hours	BMAV	AV:63		hour_serv_tst
Service Test Starts	BMAV	AV:151		st_stest
Setpoint adjustment	BMAV	AV:6021	setadj	setpt_adj
Single Zone Setpoint	BMAV	AV:6001	zonespt	zone_setpoint
Software Build Time	BMAV	AV:169		fw_bldtm
Space Indoor Air Quality from Linkage	BMAV	AV:270		lnk_siaq
Space Relative Humidity	BMAV	AV:1011		space_rh
Space Relative Humidity from Linkage	BMAV	AV:271		lnk_sprh
Space RH OCC Setpoint	BMAV	AV:367		sprh_osp
Space RH UOCC Setpoint	BMAV	AV:461		sprh_usp
Space Temperature	BMAV	AV:2007	spt	space_temp
Space Temperature Offset	BMAV	AV:1006	spto	stpt_adj
SPRH Assigned Channel	BMAV	AV:372		sprhchan
SPRH Sensor Value at 4mA	BMAV	AV:375		sprh_4ma
SPRH Sensor Value at 20mA	BMAV	AV:373		sprh_20ma
SPT Offset Range (+/-)	BMAV	AV:298		spto_rng
SPT Offset Total diff	BMAV	AV:6020	sptodiff	setpt_adj_limit
Standard Barometric Pressure	BMAV	AV:303		std_barp
Supply Air d/dt (F/min)	BMAV	AV:342		sattrend
Supply Air Temperature	BMAV	AV:1008	sat	sa_temp
System Demand	BMAV	AV:37		sys_demand
System Demand Alert	BMAV	AV:227	sysdmat	sys_dmd_alert
System Static Pressure	BMAV	AV:312	lnk_dsp	lnk_ahu_static
System Touch AI for SPRH	BMAV	AV:8027		aistsprh
System Touch AI for SPT	BMAV	AV:8026		aistspt
System Touch Device	BMAV	AV:8024		devst
System Touch Poll Rate	BMAV	AV:8025		pollst
T24 Damper SAT deadband	BMAV	AV:308		t24satdb
T24Economizer Min Move for SAT	BMAV	AV:306		t24ecsts
T24 Heat/Cool End Delay	BMAV	AV:305		t24chdly
T24 Min Difference in RAT - OAT	BMAV	AV:307		t24ratdf
T24 Test Maximum Position	BMAV	AV:310		t24tstmx
T24 Test MinimumPosition	BMAV	AV:309		t24tstmn
Test ODF All Output Spd	BMAV	AV:123		s_odfspd
Test ODF Output 1 Speed	BMAV	AV:120		s_odfsp1

## APPENDIX E: BACnet Points List (cont)

Point Name	Type	BACnet Object ID	Alias (CCN Point Name)	BACnet Object Name
Test ODF Output 2 Speed	BMAV	AV:121		s_odfsp2
Test ODF Output 3 Speed	BMAV	AV:122		s_odfsp3
TLO increment	BMAV	AV:6026	tloinc	tlo_increment
TLO limit	BMAV	AV:6027	tlolim	tlo_limit
TLO Time Remaining	BMAV	AV:6028	tlorem	tlo_time_rem
UFC Low temp limit	BMAV	AV:287		oatlufc
UFC PreOcc Time	BMAV	AV:105		ufctime
Unit Full Load Run Hours	BMAV	AV:52	hr_fload	hour_full_ld
Unit Full Load Starts	BMAV	AV:140		st_fload
Unit Startup delay	BMAV	AV:153		startdly
Unoccupied Cool Setpoint	BMAV	AV:8	ucsp	unoccupied_cooling
Unoccupied Heat Setpoint	BMAV	AV:178	uhsp	unoccupied_heating
Unoccupied Setpoint Gap	BMAV	AV:6004	udb	unoccupied_deadband
Unoccupied Zone Setpoint	BMAV	AV:6005	usp	unoccupied_setpoint
User Password	BMAV	AV:181		password
Value of Prime variable	BMAV	AV:39		prime
Vent Fan Reset Count	BMAV	AV:117		rs_ventf
Vent Fan Run Hours	BMAV	AV:64		hour_vent_fan
Ventilation Fan Starts	BMAV	AV:152		st_ventf
VFD1 Actual Motor Power (kw)	BMAV	AV:3006		vfd_out_kw
VFD1 Motor Amps	BMAV	AV:3002	outmcur	vfd_motor_amps
VFD1 OUTPUT FREQ	BMAV	AV:3003	outmfreq	vfd_out_frequency
VFD1 OUTPUT VOLTAGE	BMAV	AV:3004	outmvolt	vfd_out_voltage
VFD1 Received Speed	BMAV	AV:3007	refspeed	vfd_speed_req
VFD 1 Maximum Reference	BMAV	AV:68		maxref
VFD 1 Minimum Reference	BMAV	AV:72		minref
VFD 1 Ramp Down Time	BMAV	AV:29	rampdn_t	ramp_down_time
VFD 1 Ramp Up Time	BMAV	AV:96	rampup_t	ramp_up_time
VFD1 Motor Power (hp)	BMAV	AV:3005	outpwrhp	vfd_out_hp
VFD Actual Speed	BMAV	AV:174		mav
VFD Alarm Code	BMAV	AV:158		almerrc
VFD Auto Restart Time	BMAV	AV:160		arstrt_t
VFD Current Limit	BMAV	AV:3		curr_limit
VFD DC Link Voltage	BMAV	AV:168		dclnvolt
VFD Heat Sink Temp	BMAV	AV:170		htsinkt
VFD KWH Output	BMAV	AV:171		kwhcntr
Zone Temperature	BMAV	AV:296	space_t	zone_temp
ZS Zone Temp	BMAV	AV:1905		ZSZoneTemp
A012– MBB Zero Crossing Alert	BMBV	BV:245		a_mbb0x
A015– MBB RNET Voltage out of Range Alert	BMBV	BV:246		a_mbb12d
A016– MBB 24VDC Voltage out of Range Alert	BMBV	BV:247		a_mbb24d
A017– MBB 5VDC Voltage out of Range Alert	BMBV	BV:248		a_mbb5dc
A019– MBB Time Clock Error Alert	BMBV	BV:237		a_notime
A100– SAT Sensor Error Alert	BMBV	BV:188		a_badsat
A101– FST out of Range Alert	BMBV	BV:185		a_badfst
A102– FST Open Circuit Alert	BMBV	BV:193		a_opnfst
A103– FST Short Circuit Alert	BMBV	BV:204		a_shftst
A104– OAT out of Range Alert	BMBV	BV:186		a_badoat
A105– OAT Open Circuit Alert	BMBV	BV:196		a_opnoat
A106– OAT Short Circuit Alert	BMBV	BV:207		a_shtoat
A107– RAT out of Range Alert	BMBV	BV:187		a_badrat
A108– RAT Open Circuit Alert	BMBV	BV:198		a_opnrat
A109– RAT Short Circuit Alert	BMBV	BV:209		a_shtrat
A110– SPT out of Range Alert	BMBV	BV:190		a_badspst
A111– SPT Open Circuit Alert	BMBV	BV:201		a_opnspt
A112– SPT Short Circuit Alert	BMBV	BV:212		a_shtspt
A130– Circuit A SSP out of Range Alert	BMBV	BV:189		a_badspa
A131– Circuit A SSP Open Circuit Alert	BMBV	BV:200		a_opnspa
A132– Circuit A SSP Short Circuit Alert	BMBV	BV:211		a_shtspa
A133– Circuit A SDP Out Of Range	BMBV	BV:183		a_baddpa
A134– Circuit A SDP Open Circuit Alert	BMBV	BV:191		a_opndpa
A135– Circuit A SDP Short Circuit Alert	BMBV	BV:202		a_shtdpa
A150 OACFM Open Circuit Alert	BMBV	BV:276		a_opnoac
A151 OACFM Short Circuit Alert	BMBV	BV:277		a_shtoac
A160– OARH Open Circuit Alert	BMBV	BV:197		a_opnoarh

## APPENDIX E: BACnet Points List (cont)

Point Name	Type	BACnet Object ID	Alias (CCN Point Name)	BACnet Object Name
A161 – OARH Short Circuit Alert	BMBV	BV:208		a_shtoarh
A162 – RARH Open Circuit Alert	BMBV	BV:199		a_opnrarh
A163 – RARH Short Circuit Alert	BMBV	BV:210		a_shtrarh
A164 – IAQ Open Circuit Alert	BMBV	BV:194		a_opniaq
A165 – IAQ Short Circuit Alert	BMBV	BV:205		a_shtiaq
A166 – OAQ Open Circuit Alert	BMBV	BV:195		a_opnoaq
A167 – OAQ Short Circuit Alert	BMBV	BV:206		a_shtoaq
A168 SPRH Open Circuit Alert	BMBV	BV:274		a_opnsrh
A169 SPRH Short Circuit Alert	BMBV	BV:275		a_shtsrh
A170 – Damper feedbck out of Range	BMBV	BV:184		a_badec1
A171 – Damper Feedback Open Circuit Alert	BMBV	BV:192		a_opnec1
A172 – Damper Feedback Short Circuit Alert	BMBV	BV:203		a_shtec1
A190 – Thermostats Simultaneous Heat Cool Alert	BMBV	BV:223		a_simhc
A191 – Thermostat Improper Cool Alert	BMBV	BV:220		a_impcl
A192 – Thermostat Improper Heat Alert	BMBV	BV:221		a_impht
A203 – Dirty Filter Alert	BMBV	BV:214		a_dfilt
A210 – General Status Alert	BMBV	BV:244		a_gensw
A312 – Circuit A Unexpected Off Alert	BMBV	BV:181		a_caoff
A313 – Circuit A Hi Discharge Pressure Alert	BMBV	BV:172		a_cahdp
A314 – Circuit A Hi Pressure Switch Alert	BMBV	BV:171		a_cahps
A315 – Circuit A Low Discharge Pressure Alert	BMBV	BV:236		a_caldp
A316 – Circuit A Low System Pressure Alert	BMBV	BV:170		a_calsp
A317 – Circuit A Press Ratio Alert	BMBV	BV:169		a_capr
A320 – Compressor A1 Reverse Rotation Alert	BMBV	BV:179		a_ca1rr
A321 – Comp A1 Fail to Pressurize Alert	BMBV	BV:182		a_ca1ftp
A323 – Comp A2 Rev Rotation Alert	BMBV	BV:174		a_ca2rr
A324 – Comp A2 Fail to Pressurize Alert	BMBV	BV:177		a_ca2ftp
A410 – IGC Ignition Failure Alert	BMBV	BV:222		a_noign
A510 – Indoor Fan status Alert	BMBV	BV:219		a_idfwar
A603 – IDF VFD in Hand Alert	BMBV	BV:227		a_vfdhnd
A605 – IDF VFD Thermal Warning Alert	BMBV	BV:239		a_vfdtwa
A606 – IDF VFD Voltage Warning Alert	BMBV	BV:240		a_vfdvwa
A607 – VFD Current limit Warning Alert	BMBV	BV:238		a_vfdcwa
A608 – IDF VFD Warning Alert	BMBV	BV:228		a_vfdwar
A700 – Economizer Not Modulating Alert	BMBV	BV:215		a_dnm
A701 – Economizer Damper Stuck Closed Alert	BMBV	BV:216		a_dnm_sc
A702 – Economizer Damper Stuck Open Alert	BMBV	BV:217		a_dnm_so
A703 – Economizer Actuator Mechanically Disconnected Alert	BMBV	BV:218		a_dnmemd
A710 – Economizer Not Cooling Alert	BMBV	BV:224		a_t24enc
A711 – Economizer Improper Cooling Alert	BMBV	BV:226		a_t24ewc
A712 – Excess Current Outside Air Alert	BMBV	BV:225		a_t24eoa
Adaptive Staging Config	BMBV	BV:115		adptstat
alarm_reset	BMBV	BV:33		alarm_reset
Alarm Reporting Enable	BMBV	BV:27		alarmen
ALC Auto Id Scheme	BMBV	BV:106		auid
All Heat Stages Locked out	BMBV	BV:122		allhtloc
Auto Heat test	BMBV	BV:161		autoheat
BACnet BMS Schedule	BMBV	BV:108		bms_sced
BACnet ID Auto/Manual	BMBV	BV:107		bac_auid
Calendar Object Status	BMBV	BV:110		calobjst
Circuit A CMP A1 Loader	BMBV	BV:9		cmpalena
Circuit A Compressor 1	BMBV	BV:5		cmpa1ena
Circuit A Compressor 2	BMBV	BV:6		cmpa2ena
Circuit A high Pressure Switch	BMBV	BV:4		circa_hps
Circuit A Lockout	BMBV	BV:128		ciralock
Clear Alarm History	BMBV	BV:32		alarm_hist_clear
CMP A1 Bump Test Request	BMBV	BV:71		s_bmpa1
CMP A1 Cool Test Request	BMBV	BV:74		s_coola1
CMP A2 Bump Test Request	BMBV	BV:72		s_bmpa2
CMP A2 Cool Test Request	BMBV	BV:75		s_coola2
CMP AL Bump Test Request	BMBV	BV:64		s_bmpald
CMP AL Cool Test Request	BMBV	BV:79		s_colald
COFS Discrete Input	BMBV	BV:7028	cofs	condensate_switch
Compressor A1 Available	BMBV	BV:123		ca1_aval
Compressor A1 Locked Out	BMBV	BV:124		ca1_lock

## APPENDIX E: BACnet Points List (cont)

Point Name	Type	BACnet Object ID	Alias (CCN Point Name)	BACnet Object Name
Compressor A2 Available	BMBV	BV:125		ca2_aval
Compressor A2 Locked Out	BMBV	BV:126		ca2_lock
Compressor Cooling Ok	BMBV	BV:302		okmechcl
Cooling Liquid Valve CirA	BMBV	BV:7052		clv_a
cooling liquid valve Relay Test	BMBV	BV:456		s_clv_a
Cooling Liq Valve CirA Enable	BMBV	BV:7049		clva_en
Crankcase Heater Relay 1	BMBV	BV:3		cch_relay
Damper Position Error	BMBV	BV:21		dmprr_err
Damper Status Good	BMBV	BV:39		damp_good
Daylight Savings Enable	BMBV	BV:93		dst_cfg
Daylight Savings time Active	BMBV	BV:92		dst_actv
DD IDF High Speed Relay	BMBV	BV:448		fspdhrlly
DD IDF Low Speed Relay	BMBV	BV:446		fspdlrly
DD IDF Med. Speed Relay	BMBV	BV:447		fspdmrly
Diff Bulb Lock Out	BMBV	BV:40		db_lock_out
Differential Dry Bulb Enable	BMBV	BV:41	diffbulb	dif_db_ena
Differential Enthalpy Enable	BMBV	BV:42		dif_enth_ena
Economizer Installed	BMBV	BV:131		econo_cfg
Enthalpy Lockout	BMBV	BV:44	enthlock	enth_lock_out
equip_alarm	BMBV	BV:7048		equip_alarm
F010 – MBB low voltage Fault	BMBV	BV:270		f_mbblov
F011 – MBB Reference voltage Fault	BMBV	BV:271		f_mbbref
F013 – MBB Fuse 2 Open Fault	BMBV	BV:268		f_mbbf2
F014 – MBB Fuse 3 Open Fault	BMBV	BV:269		f_mbbf3
F018 – MBB EEPROM Read/Write Failure Fault	BMBV	BV:267		f_mbbeep
F20 – Software Error Fault	BMBV	BV:243		f_bad_dd
F200 – Fire Shutdown Fault	BMBV	BV:242		f_fire
F201 – Condensate Overflow Fault	BMBV	BV:273		f_cofs
F202 – Freeze Protection Fault	BMBV	BV:264		f_freeze
F204 – Remote Shutdown Fault	BMBV	BV:272		f_remoft
F211 – General Status Fault	BMBV	BV:265		f_gensw
F310 – Circuit A Down Due To Failure Fault	BMBV	BV:168		f_caddf
F311 – Circuit A Low Charge Fault	BMBV	BV:167		f_caloch
F318 – Compressor Stuck on Fault	BMBV	BV:241		f_cstuck
F319 – Compressor A1 Down due to Failure Fault	BMBV	BV:178		f_ca1ddf
F322 – Comp A2 Down Fail Fault	BMBV	BV:173		f_ca2ddf
F411 – Rollout without Heating	BMBV	BV:235		f_ronohf
F412 – Run Away Heat Fault	BMBV	BV:266		f_hstuck
F511 – IDF off when comand on Fault	BMBV	BV:230		f_idfoff
F512 – IDF On When Comanded Off	BMBV	BV:231		f_idfon
F600 – IDF VFD Communication Error Fault	BMBV	BV:229		f_idfcom
F601 – IDF VFD Unexpected Fault	BMBV	BV:253		f_vfdune
F602 – IDF VFD Lockout Fault	BMBV	BV:234		f_vfdlo
F604 – IDF VFD in Hand Fault	BMBV	BV:233		f_vfdhnd
F611 – IDF VFD Earth Fault	BMBV	BV:255		f_vfdef
F612 – IDF VFD Control Word Fault	BMBV	BV:254		f_vfdcf
F613 – IDF VFD Over Current Fault	BMBV	BV:259		f_vfdoc
F614 – IDF VFD Over Temperature Fault	BMBV	BV:249		f_vfdot
F615 – IDF VFD Inverter Overload Fault	BMBV	BV:260		f_vfdol
F616 – IDF VFD Under Voltage Fault	BMBV	BV:263		f_vfduv
F617 – IDF VFD Over Voltage Fault	BMBV	BV:261		f_vfdov
F618 – IDF VFD Short Circuit Fault	BMBV	BV:262		f_vfdsc
F619 – IDF VFD Main Phase Loss Fault	BMBV	BV:258		f_vfdmpf
F620 – IDF VFD Phase U Loss Fault	BMBV	BV:250		f_vfdpul
F621 – IDF VFD Phase V Loss Fault	BMBV	BV:251		f_vfdpvl
F622 – IDF VFD Phase W Loss Fault	BMBV	BV:252		f_vfdpwl
F623 – IDF VFD Control Voltage Fault	BMBV	BV:256		f_vfdvlf
F624 – IDF VFD Supply VDD Low Fault	BMBV	BV:257		f_vfdlve
Fan On When Occupied	BMBV	BV:46	fanon_oc	occupied_fan
Fan shutdown on failure	BMBV	BV:7008	fatafan	sfan_fail_alarm
FBD SAT locked out	BMBV	BV:439		fbdsatlo
FBD SST locked out	BMBV	BV:440		fbdsstlo
Filter Status Switch	BMBV	BV:1016		flt_status
Fire Shutdown Switch	BMBV	BV:112		firedown
Free Cooling Available	BMBV	BV:65	okfreecl	ok_free_cl

## APPENDIX E: BACnet Points List (cont)

Point Name	Type	BACnet Object ID	Alias (CCN Point Name)	BACnet Object Name
FST Sensor Error	BMBV	BV:49		fst_error
General Status DI	BMBV	BV:50		gen_status
Heat Demand limiting Off	BMBV	BV:370		heatdmdlimitoff
Heat Relay 1	BMBV	BV:10		hs1
Heat Relay 2	BMBV	BV:11		hs2
Heat Stage 1 Available	BMBV	BV:16		ht1_aval
Heat Stage 1 Test	BMBV	BV:76		s_heat1
Heat Stage 2 Available	BMBV	BV:17		ht2_aval
Heat Stage 2 Test	BMBV	BV:77		s_heat2
Humidimizer En Status	BMBV	BV:7010		humz_en
humidity ctrl is active	BMBV	BV:423		humctrla
IAQ Preoccupancy Purge	BMBV	BV:20		iaqpurge
IAQ Sensor Error	BMBV	BV:51		iaq_err
IDF Operation Errors?	BMBV	BV:52	idfbad	idf_bad
IDF Speed Override Flag	BMBV	BV:7009		fan_ovrd
IDF Speed Reduction active	BMBV	BV:7		fanred10
IDF Transition ctrl	BMBV	BV:78		s_idftrn
IGC call for Indoor Fan	BMBV	BV:13		igc_ifo
Indicate Dirty Filter	BMBV	BV:7017	filt_al	filter_alarm
Indicate Economizer Failure	BMBV	BV:43	BV:43	econ_alarm
Indicate Indoor Fan Failure	BMBV	BV:45	fan_al	idf_alarm
Indicate SAT/RAT Sensor Failure	BMBV	BV:311	satratat	sa_ra_alarm
Indicate SPT/SPRH Sensor Failure	BMBV	BV:103	SPACE_AL	space_alarm
Indicate Thermostat Failure	BMBV	BV:104		tstat_al
Indicate VFD Failure	BMBV	BV:315		vfd_al
Is comp A1 present	BMBV	BV:452		cmpa1_en
Is comp A2 present	BMBV	BV:453		cmpa2_en
Is comp AL present	BMBV	BV:454		cmpal_en
Linkage Indicator	BMBV	BV:58		link_active
Liq Diverter Valve Relay Test	BMBV	BV:281		s_ldv_a
Liquid Dischg Valve CirA	BMBV	BV:7011		ldv_a
Liquid Dischg Valve CirA Enable	BMBV	BV:7014		ldva_en
Local Sched Occupied?	BMBV	BV:95		loc_occ
Local Shutdown	BMBV	BV:34		locshut
Low Cool Lockout	BMBV	BV:317		lc_lock
Make Config Backup File	BMBV	BV:129		ddbckup
Mechanical Cooling Active	BMBV	BV:301		mechcool
Medium Cool Lockout	BMBV	BV:318		mc_lock
Metric Display	BMBV	BV:91		dispunit
OACFM Alarm Relay	BMBV	BV:371		oacfm_rel_alarm
OARH Sensor Error	BMBV	BV:60		oarh_err
OAT Sensor Error	BMBV	BV:314	OAT_ERR	oat_error
OAT Thermistor Failure	BMBV	BV:61		oat_rel_alarm
Occupied status (occ_status)	BMBV	BV:2008		input_occupied
ODF Transition ctrl	BMBV	BV:81		s_odftrn
Ok to Dehumidify	BMBV	BV:422		oktodhum
Ok to Fan based dehum	BMBV	BV:420		oktofdb
Ok to Preoccupancy Purge	BMBV	BV:35		okpreocc
OK to Run Heat	BMBV	BV:36		oktoheat
OK to Supply Air Tempering	BMBV	BV:415		oktotemp
OK to UnoccupiedFreeCool	BMBV	BV:37		oktoufc
Ok to Use humidimizer	BMBV	BV:421		oktohumz
Password Enable	BMBV	BV:100		pass_ebl
Percent Enable/Disable	BMBV	BV:303		perc_bac
Power Exhaust 1	BMBV	BV:15		pe1
Power Exhaust 2	BMBV	BV:66		pe2
Pre-Occupy Purge Active	BMBV	BV:38		preoccon
RARH Sensor Error	BMBV	BV:67		rarh_err
RAT Sensor Error	BMBV	BV:68		rat_err
Reheat Dischg Valve CirA	BMBV	BV:7012		rdv_a
Reheat Dischg Valve CirA Enable	BMBV	BV:7013		rdva_en
Reheat Dschg Valv Relay Test	BMBV	BV:282		s_rdv_a
Reheat Liquid Valve CirA	BMBV	BV:7051		rlv_a
Reheat Liquid Valve CirA Enable	BMBV	BV:7050		rlva_en
Reheat Liquid valve Relay Test	BMBV	BV:455		s_rlv_a
Remote Occupancy Switch	BMBV	BV:29		remocc
Remote Shutdown	BMBV	BV:9001	remshut	rem_shut

## APPENDIX E: BACnet Points List (cont)

Point Name	Type	BACnet Object ID	Alias (CCN Point Name)	BACnet Object Name
Reset Filter Timer	BMBV	BV:109		reset_filter_timer
Run Auto Cool test	BMBV	BV:160		autocool
Run Auto Independent Test	BMBV	BV:163		autoindp
Run Auto System Test	BMBV	BV:162		autosys
SA Tempering Enable	BMBV	BV:410		sup_air_temp_en
SAT Sensor Error	BMBV	BV:84		sat_err
SDPA Sensor Error	BMBV	BV:63		sdpa_err
Shutdown A1 First	BMBV	BV:449		sdwn_a1
Shutdown A2 First	BMBV	BV:450		sdwn_a2
Shutdown ALD First	BMBV	BV:451		sdwn_ald
Shutdown In VFD Hand Mode	BMBV	BV:8		handshut
SPTO Sensor Error	BMBV	BV:7002		stpt_err
SPT Sensor Error	BMBV	BV:7001		spt_err
SSPA Sensor Error	BMBV	BV:89		sspa_err
Start DD restore	BMBV	BV:130		ddrstre
System Demand Alarm	BMBV	BV:26	sysdmdal	sys_dmd_alarm
Temperature Compensated Start is active	BMBV	BV:133		tcs_act
Test Alarm Input	BMBV	BV:70		s_alarm
Test CCH Relay 1	BMBV	BV:73		s_cchr1
Test Power Exhaust 1	BMBV	BV:82		s_pe
Test Power Exhaust 2	BMBV	BV:83		s_pe_2
Thermostat G Input	BMBV	BV:1021	g	g_input
Thermostat W1 Input	BMBV	BV:1017	w1	w1_input
Thermostat W2 Input	BMBV	BV:1018	w2	w2_input
Thermostat Y1 Input	BMBV	BV:1019	y1	y1_input
Thermostat Y2 Input	BMBV	BV:1020	y2	y2_input
Thermostat Y3 Input	BMBV	BV:28	y3	y3_input
Today Is A Holiday	BMBV	BV:98		holtoday
Tomorrow Is A Holiday	BMBV	BV:96		hol_tmrw
Unoccupied Free Cooling Active	BMBV	BV:135		ufc_act
USB Find Restore File	BMBV	BV:111		backfile
VFD 1 Reverse?	BMBV	BV:102		vfd1mdir
VFD Config OK?	BMBV	BV:105		vfdcfgok
VFD Reverse Select	BMBV	BV:69		rev_sel
Active Occupancy Control	BMSV	MSV:14		occ_ctrl
ALC Status color	BMSV	MSV:9		color
Alert from thermostat	BMSV	MSV:8		tstat_alert
BACnet BMS baud rate	BMSV	MSV:18		bac_baud
BMS Configuration	BMSV	MSV:11		bms_cfg
BMS Occupancy Request	BMSV	MSV:12		bms_occ
Communications status	BMSV	MSV:17		e0commst
Cool demand Limit Level	BMSV	MSV:56		cdlm_level
FBD Type	BMSV	MSV:58		fbd_type
Filter Status Switch Inp	BMSV	MSV:41		filter_channel
Filter Status Switch Type	BMSV	MSV:42		filt_cfg
Firmware Release State	BMSV	MSV:19		fw_state
Heat demand Limit Level	BMSV	MSV:57		hdlm_level
Heat Type	BMSV	MSV:16	heattype	ht_type
IAQ Analog Input Config	BMSV	MSV:25		iaqancfg
IDF Type	BMSV	MSV:450		idftype
IDF VFD Fault Detail	BMSV	MSV:23		svdfit
Keep Configuration	BMSV	MSV:47		keepconf
Linkage Occupancy request	BMSV	MSV:13		lnk_occ
Motor Power	BMSV	MSV:22	MOTPWR	mot_pwr
Remote Occupancy Config	BMSV	MSV:45		rmoc_cfg
RFI Filter	BMSV	MSV:4		rfi_filter
Running Mode Operation	BMSV	MSV:43		sub_mode
Switching Frequency	BMSV	MSV:7		switch_freq
System Demand	BMSV	MSV:101	sys_dmde	sys_demand_enum
System Mode	BMSV	MSV:2002	sysmode	sys_mode
SystemVu Type	BMSV	MSV:2003		sysvtype
Test Inactivity Time Out	BMSV	MSV:156		test_ito
Thermostat Type	BMSV	MSV:5	stattype	tstat_type
Unit Control Type	BMSV	MSV:2		control_type
Unocpied Free Cooling config	BMSV	MSV:24		ufc_cfg
Ventilation Status	BMSV	MSV:6		ventstat
VFD1 Warning Detail	BMSV	MSV:3001		vfd_warning



# CONTROL SET POINT AND CONFIGURATION LOG

MODEL NO.: \_\_\_\_\_

SOFTWARE VERSIONS :

SERIAL NO.: \_\_\_\_\_

MBB: CESR131651- \_\_\_\_\_

DATE: \_\_\_\_\_

VFD FW VERSION - \_\_\_\_\_

TECHNICIAN: \_\_\_\_\_

## INDICATE UNIT SETTINGS BELOW

CONTROL TYPE: Thermostat/T55 Space Temp./T-56 Space Temp./T-59 Space Temp.

SET POINT                      Cooling      Occupied: \_\_\_\_\_                      Unoccupied: \_\_\_\_\_  
    Heating      Occupied: \_\_\_\_\_                      Unoccupied: \_\_\_\_\_

### Settings - Main Menu Layout

Display Text	Expanded Text	Range	Units	Default	Point	Entry
<b>SETTINGS</b>	Settings Menu					
SPACE SET POINTS	Space Setpoints Adjustment Menu					
OCC COOL SETPOINT	Occupied Cool Setpoint	55 to 80	°F	78	OCSP	
OCC HEAT SETPOINT	Occupied Heat Setpoint	55 to 80	°F	68	OHSP	
UNOCC COOL SETPNT	Unoccupied Cool Setpoint	65 to 95	°F	85	UCSP	
UNOCC HEAT SETPNT	Unoccupied Heat Setpoint	40 to 80	°F	60	UHSP	
HEAT-COOL SP GAP	Heat-Cool Setpoint Gap	2 to 10	^F	5	HCSP_GAP	
SPT SLIDER RANGE	SPT Offset Range (+/-)	0 to 5.0	°F	5	SPTO_RNG	
OCC SPRH SET PT	Occupied SPRH Setpoint	0 to 100	%	55	SPRH_OSP	
UNOCC SPRH SET PT	Unoccupied SPRH Setpoint	0 to 100	%	55	SPRH_USP	
SA TEMPER SET PNT	SA tempering Set point	xx	°F	50	SATEMPSP	
TEMP DEMAND CONFIG	Temperature Demand Configuration menu					
LOW COOL DMD ON	Low Cool Demand On	-1 to 2.0	°F	0.5	DMDLCON	
MED COOL DMD ON	Medium Cool Demand On	0.5 to 20.0	°F	1	DMDMCON	
HIGH COOL DMD ON	High Cool Demand On	0.5 to 20.0	°F	2	DMDHCON	
LOW COOL DMD OFF	Low Cool Demand Off	-1 to 2.0	°F	-0.5	DMDLCOFF	
COOL DMD LEVEL UP	Cool Demand Level Up	-2 to 2.0	^F/min	-0.2	CDMD_LUP	
LOW HEAT DMD ON	Low Heat Demand On	-1 to 2.0	°F	0.5	DMDLHON	
HIGH HEAT DMD ON	High Heat Demand On	0.5 to 20.0	°F	2	DMDHHON	
LOW HEAT DMD OFF	Low Heat Demand Off	-1 to 2.0	°F	-0.5	DMDLHOFF	
HEAT DMD LEVEL UP	Heat Demand Level Up	-2 to 2.0	^F/min	-0.2	HDMD_LUP	
DEMAND TIMEGUARD1	Space Demand Time Guard1	60 to 600	sec	180	TDMD_TG1	
DEMAND TIMEGUARD2	Space Demand Time Guard2	0 to 600	sec	300	TDMD_TG2	
DEMAND TIMEGUARD3	Space Demand Time Guard3	5 to 120	min	10	TDMD_TG3	
DMD LIMIT CONFIG	DEMAND LIMIT CONFIG					
COOL DMD LIM LEV1	Cool DMD Offset level 1	0 to 99	°F	1	CLDOLEV1	
COOL DMD LIM LEV2	Cool DMD Offset level 2	0 to 99	°F	3	CLDOLEV2	
COOL DMD LIM LEV3	Cool DMD Offset level 3	0 to 99	°F	5	CLDOLEV3	
HEAT DMD LIM LEV1	Heat DMD Offset level 1	0 to 99	°F	1	HTDOLEV1	
HEAT DMD LIM LEV2	Heat DMD Offset level 2	0 to 99	°F	3	HTDOLEV2	
HEAT DMD LIM LEV3	Heat DMD Offset level 3	0 to 99	°F	5	HTDOLEV3	
<b>CLOCK</b>	Clock Adjustment Menu					
TIME	Clock Hour and Minute	xx:xx	hh.mm		TIME	
DATE	Current Date	MM/DD/YYYY			DATE	
DAYLIGHT SAVINGS	Daylight Savings Configuration Menu				DST Menu	
DAYLIGHT SAVINGS?	DST allowed?	Enable/Disable		Enable	DST_CFG	
DST START MONTH	DST Start Month	1=JANUARY, 2=FEBRUARY, 3=MARCH, 4=APRIL, 5=MAY, 6=JUNE, 7=JULY, 8=AUGUST, 9=SEPTEMBER, 10=OCTOBER, 11=NOVEMBER, 12=DECEMBER		3	STARTM	
DST START WEEK	DST Start Week	1 to 5		2	STARTW	
DST START DAY	DST Start Day	1=MONDAY, 2=TUESDAY, 3=WEDNESDAY, 4=THURSDAY, 5=FRIDAY, 6=SATURDAY, 7=SUNDAY		7	STARTD	
DST MINS TO ADD	DST Minutes to Add	0 to 90	min	60	MINADD	

**Settings - Main Menu Layout (cont)**

Display Text	Expanded Text	Range	Units	Default	Point	Entry
<i>CLOCK (cont)</i> DST STOP MONTH	<i>Clock Adjustment Menu</i> DST Stop Month	1=JANUARY, 2=FEBRUARY, 3=MARCH, 4=APRIL, 5=MAY, 6=JUNE, 7=JULY, 8=AUGUST, 9=SEPTEMBER, 10=OCTOBER, 11=NOVEMBER, 12=DECEMBER		1	STOPM	
DST STOP WEEK	DST Stop Week	1 to 5		1	STOPW	
DST STOP DAY	DST Stop Day	1=MONDAY, 2=TUESDAY, 3=WEDNESDAY, 4=THURSDAY, 5=FRIDAY, 6=SATURDAY, 7=SUNDAY		7	STOPD	
DST MINS TO SUB START TIME IN DAY	DST Minutes to Subtract Time in day to start DST	0 to 90 0 to 600	min min	60 120	MINSUB DST_TOD	
SCHEDULES SCHEDULE NUMBER	Schedules Adjustment Menu CCN Schedule Number	0 = Always Occupied, 1 - 64 = Local Schedule, 65 - 99 = Global Schedule		0	SCHEDNUM	
OCCUPANCY SCHEDULE HOLIDAYS	OCCUPANCY SCHEDULE DATA Holiday adjustment Menu					
ALLOW G. HOLIDAY?	Accept Global Holidays?	Yes/No		No	HOLIDAYT	
TIMED OVR LENGTH	Timed Override Duration	0 to 4	hours	4	OTL_CFG	
UNIT CONFIGURATIONS GENERAL	Unit Configurations Menu General Unit Configurations Menu					
STARTUP DELAY	Unit Startup Delay	10 to 600	sec	30	STARTDLY	
UNIT CONTROL TYPE	Unit Control Type	0=TSTAT, 1=SPACE SEN, 2=RAT SEN		0=TSTAT	CTRLTYPE	
THERMOSTAT TYPE	Thermostat Hardware Type	0=CONV 2C2H, 1=DIGI 2C2H, 2=CONV 3C2H, 3=DIGI 3C2H 4=DIGI 2C2H_S		2=CONV 3C2H	STATTYPE	
ADAPTIVE TSTAT	Tstat Adaptive Staging	Yes/No		Yes	ADPTSTAT	
DIRTY FILTER TIME	Change Filter Timer	0 to 9999	hours	600	FILT LIFE	
TEST MODE TIMEOUT	Test inactivity time out	0=Disabled, 1=30 minutes, 2=1 hour, 3=2 hours, 4=4 hours, 5=8 hours, 6=12 hours		4=4 hours	TEST_ITO	
CCH MAX TEMP	CCH Max Temperature	40 to 90	° F	65	CCHMAXT	
STD BARO PRESSURE	Std Barometric Pressure	13.00 to 35.00	in.Hg	29.92	STD_BARP	
LINK STAGEUP TIME	Linkage Stage inc. time	60 to 600	sec	180	LSTAGINC	
UNIT'S MAX SAT	Unit's Maximum SAT	130 to 210	° F	200	UMAX_SAT	
AUTO SAT FAULTS?	Auto Clr SAT Limit Fault	Yes/No		No	SATLACLR	
ADAPTIVE TCS?	Adaptive Temp Comp Start	Enable/Disable		Yes	TCS_CFG	
USER TCS BIAS TIME	User TCS Start bias time	0 to 180	min	0	TCSUBIAS	
SWITCH INPUTS CONFIGS	DI Config Menu					
FIRE SHUTDOWN SW	Fire Shutdown Switch	0=NORM OPEN, 1=NORM CLSD, 2=NO SWITCH		2: no FIOP 0: FIOP	FIRE_CFG	
HUMSTAT CHANNEL	HumidistatStatus Channel	0=None, 1=MBB DI12, 2=MBB DI13, 3=MBB DI14, 4=MBB DI02, 5=MBB DI04, 6=SI0B DI01		0=for all except Humidimizer 6=Humidimizer units	HUMDCHAN	
HUMSTAT SW TYPE	Humidistat Switch Type	0=NORM OPEN, 1=NORM CLSD,		0=NORM OPEN	HUMD_CFG	
FILTER SW CHANNEL	Filter Status Sw Channel	0= None, 1=MBB DI12, 2=MBB DI13, 3=MBB DI14, 4=MBB DI02, 5=MBB DI04		0=None	FILTCHAN	
FILTER SW TYPE	Filter Status Swith Type	0=NORM OPEN, 1=NORM CLSD		0=NORM OPEN	FILT_CFG	
REMOTE OCC CHAN	Remote Occupancy Channel	0= None, 1=MBB DI12, 2=MBB DI13, 3=MBB DI14, 4=MBB DI02, 5=MBB DI04		0=None	RMOCCHAN	
REMOTE OCC TYPE	Remote Occupancy Sw Type	0=NORM OPEN, 1=NORM CLSD		0=NORM OPEN	RMOC_CFG	

**Settings - Main Menu Layout (cont)**

Display Text	Expanded Text	Range	Units	Default	Point	Entry
<i>SWITCH INPUTS CONFIGS (cont)</i>	<i>DI Config Menu</i>					
REM.SHUTDOWN CHAN	Remote Shutdown Channel	0=None, 1=MBB DI12, 2=MBB DI13, 3=MBB DI14, 4=MBB DI02, 5=MBB DI04		0=None	ROFFCHAN	
REM.SHUTDOWN SW T	Remote Shutdown Sw Type	0=NORM OPEN, 1=NORM CLSD		0=NORM OPEN	ROFF_CFG	
REM.SHUTDOWN TYPE	Remote Shutdown ALM Type	0=Normal, 1=Emergency		0=Normal	ROFFTYPE	
COFS CHANNEL	COFS Assigned Channel	0=None, 1=MBB DI12, 2=MBB DI13, 3=MBB DI14, 4=MBB DI02, 5=MBB DI04		0=None	COFSCHAN	
COFS TYPE	COFS Switch Type	0=NORM OPEN, 1=NORM CLSD		1=NORM CLSD	COFS_CFG	
GEN STATUS CHAN	General Status Channel	0=None, 1=MBB DI12, 2=MBB DI13, 3=MBB DI14, 4=MBB DI02, 5=MBB DI04		0=None	GEN_CHAN	
GEN STAT SW TYPE	General Status Sw Type	0=NORM OPEN, 1=NORM CLSD		0=NORM OPEN	GENS_CFG	
SHUTDOWN GEN STAT	General Status shutdown?	Yes/No		Yes	GENFATAL	
ENTHALPY SW CHAN	Enthalpy Sw Channel	0=None, 1=MBB DI12, 2=MBB DI13, 3=MBB DI14, 4=MBB DI02, 5=MBB DI04		0=None	ENTHCHAN	
ENTHALPY SW TYPE	Enthalpy Switch Type	0=NORM OPEN, 1=NORM CLSD		0=NORM OPEN	ENTH_CFG	
<i>ANALOG INPUT CONFIGS</i>	<i>Analog Inputs Configuration Menu</i>					
IAQ SENSOR CHAN	IAQ Assigned Channel	0=None, 1=MBB AI06, 2=MBB AI07, 3=MBB AI08		0: no FIOP 1: FIOP	IAQ_CHAN	
SPRH SENS CHANNEL	SPRH Assigned Channel	0=None, 1=MBB AI06, 2=MBB AI07, 3=MBB AI08 4=SIOB AI10		0=None	SPRHCHAN	
SPRH RH @ 4MA	SPRH Sensor Value at 4mA	0 to 100	%	0	SPRH_4MA	
SPRH RH @ 20MA	SPRH Sensor Value @ 20mA	0 to 100	%	1	SPRH20MA	
IAQ PPM @ 4MA	IAQ Sensor Value at 4mA	0 to 5000	ppm	0	IAQ_4MA	
IAQ PPM @ 20MA	IAQ Sensor Value at 20mA	0 to 5000	ppm	2000	IAQ_20MA	
OAQ SENSOR CHAN	OAQ Assigned Channel	0=None, 1=MBB AI06, 2=MBB AI07, 3=MBB AI08		0=None	OAQ_CHAN	
OAQ PPM @ 4MA	OAQ Sensor Value at 4mA	0 to 5000	ppm	0	OAQ_4MA	
OAQ PPM @ 20MA	OAQ Sensor Value at 20mA	0 to 5000	ppm	2000	OAQ_20MA	
OARH SENSOR CHAN	OARH Assigned Channel	0=None, 1=MBB AI06, 2=MBB AI07, 3=MBB AI08	n/a	0: no Enthalpy FIOP 3: Enthalpy FIOP	OARHCHAN	
OARH RH @ 4MA	OARH Sensor Value at 4mA	0 to 100	%	0	OARH_4MA	
OARH RH @ 20MA	OARH Sensor Val. at 20mA	0 to 100	%	100	OARH20MA	
RARH SENS CHANNEL	RARH Assigned Channel	0=None, 1=MBB AI06, 2=MBB AI07, 3=MBB AI08	n/a	0=None	RARHCHAN	
RARH RH @ 4MA	RARH Sensor Value at 4mA	0 to 100	%	0	RARH_4MA	
RARH RH @ 20MA	RARH Sensor Value @ 20mA	0 to 100	%	100	RARH20MA	
OACFM SENSOR CHAN	OACFM Assigned Channel	0=None, 1=MBB AI06, 2=MBB AI07, 3=MBB AI08, 4=SIOB AI10	n/a	0=None	OACFMCHAN	
OACFM @ 4MA	OACFM value at 4mA	0 to 100	CFM	0	OACFM_4MA	
OACFM @ 20MA	OACFM Value @ 20mA	0 to 100	CFM	20	OACFM20MA	
<i>COOLING</i>	<i>Cooling Configurations Menu</i>					
COOLING STAGE QTY	Number of Cooling Stages	0 to 3		3	NUMCSTGS	
LOW COOL COMP	Low Cool Compressor	1 to 2		1	LC_COMP	
COMP MIN ON TIME	Compressor Min On Time	180 to 600	sec	300	C_MINON	
COMP MIN OFF TIME	Compressor Min Off Time	120 to 600	sec	180	C_MINOFF	
STRIKE CLEAR TIME	Runtime to Reset Strikes	120 to 999	sec	300	MIN_ON_S	
COOL STAGEUP TIME	Cool Stage Increase Time	120 to 999	sec	450	CSTAGINC	
COOL SATTREND LEV	Cooling SAT Trend Level	-1.0 to 1.0	^ F/min	-0.2	SAT_TLC	
UPPER MIN SAT	Cool Min.SAT Upper Level	35.0 to 65.0	°F	56 (sizes 04-06) 53 (sizes 07-12) 56 (sizes 14-26)	SATMIN_H	

**Settings - Main Menu Layout (cont)**

Display Text	Expanded Text	Range	Units	Default	Point	Entry
<i>COOLING (cont)</i>	<i>Cooling Configurations Menu</i>					
LOWER MIN SAT	Cool Min SAT Lower Level	35.0 to 65.0	°F	46 (sizes 04–06) 42 (sizes 07–12) 46 (sizes 14–26)	SATMIN_L	
SPRH DEADBAND	Space RH Deadband	0	%	5	SPRH_D8	
HUMZ LOCKOUT OAT	Humidimizer Lockout Temp	–20 to 75	°F	40	OATLHUMZ	
COOL FANOFF DELAY	Cooling Fan–off Delay	0 to 600	sec	75	COOL_FOD	
FBD TYPE	FBD CONTROL TYPE	0=None, 1=Comfort, 2=Max		0=None	FBD_TYPE	
FBD SAT MIN VALUE	FBD SAT MIN VALUE	35 to 80	°F	46	FBDH_SAT	
FBD LOW SP	FBD LOW SP	–20 to 0	°F delta	–2.5	FBDLO_SP	
FBD SST MIN VALUE	FBD SST MIN VALUE	10 to 60	°F	32	FBDH_SST	
LOW AMBIENT	LOW AMBIENT CONFIGS MENU					
CIR.A LOCKOUT OAT	Circuit A Lockout Temp	–20 to 75	°F	0: no Economizer FIOF 40: Economizer FIOF	OATLCMPA	
LOW AMBIENT TEMP	Low Ambient Temperature	0 to 80	°F	66	LA_TEMP	
LOW COOL MIN OAT	Low Cool lockout Temp	–20 to 60	°F	10 (sizes 04–06) 30 (sizes 07–12) 40 (sizes 14–26)	LCLOCKSP	
MED COOL MIN OAT	Medium Cool lockout Temp	–20 to 60	°F	20 (sizes 07–12) 30 (sizes 14–26)	MCLOCKSP	
LA DEHUM LEV 1	Low Ambient Dehum Lev 1	40 to 125	°F	80	LAHTEMP1	
LA DEHUM LEV 2	Low Ambient Dehum Lev 2	40 to 125	°F	61	LAHTEMP2	
LA DEHUM LEV 3	Low Ambient Dehum Lev 3	40 to 125	°F	55	LAHTEMP3	
LA DEHUM SDT SP 1	LA Dehum SDT SP Lev 1	60 to 120	°F	82	LHSDTSP1	
LA DEHUM SDT SP 2	LA Dehum SDT SP Lev 2	60 to 120	°F	93	LHSDTSP2	
LA DEHUM SDT SP 3	LA Dehum SDT SP Lev 3	60 to 120	°F	104	LHSDTSP3	
HUMZ ENABLE	Humidimizer Status	Yes/No	enum	No for all except Humidimizer units	HUMZ_EN	
RDVA ENABLE	Reheat Dischg Valve CirA	Yes/No	enum	No for all except Humidimizer units	RDVA_EN	
RLVA ENABLE	Reheat Liquid Valve CirA	Yes/No	enum	No for all except Humidimizer units sizes 04–06	RLVA_EN	
CLVA ENABLE	Cooling Liq Valve CirA	Yes/No	enum	No for all except Humidimizer units sizes 04–06	CLVA_EN	
LDVA ENABLE	Liquid Divert Valve CirA	Yes/No	enum	No for all except Humidimizer units sizes 07–26	LDVA_EN	
CHARGE DIAGNOSTICS	Refrigerant Charge Diagnostic Config Menu					
LOW CHARGE LEVEL	Low Refrig Charge Level	0 to 150	psi	50	LOCHARGE	
NO LOW CHARGE OAT	Low Charge Disable Temp	–40 to 50	°F	10	LOCH_LOT	
CIR.A SDP LIMIT	CirA High Pressure Limit	400 to 700	psig	600	HIPLIM_A	
LOW DISCHARGE LEV	Low Discharge Level	5.0 to 20.0	°F	7	SDTLEV	
MIN PRESS RATIO	Minimum pressure ratio	0.00 to 5.00		1.35	MINPSI_R	
LOW SUCTION DIAG.	Low Suction Diagnostic Config Menu					
LOW SUC OK TEMP	Suction OK Temperature	10.0 to 50.0	°F	18	SSTOK	
LOW SUC LEVEL 1	Low Suction Level 1 Temp	10.0 to 50.0	°F	20	SSTLEV1	
LOW SUC LEVEL 2	Low Suction Level 2 Temp	5.0 to 50.0	°F	15	SSTLEV2	
LOW SUC LEVEL 3	Low Suction Level 3 Temp	0.0 to 50.0	°F	10	SSTLEV3	
LO SUC DIAG DELAY	Delay On Low SST Check	0 to 300	sec	0	SSTCKDLY	
COMPRESSOR TRANSITION	Compressor Transition diagnostic config menu					
COMP L2 DIAG DLY	Comp level 2 diag delay	1 to 99	sec	15 (sizes 04–12) 40 (sizes 14–26)	CDDTLEV2	
IAG. COMP OFF	Diag Comp Unexpected Off	Enable/Disable		Enable	CD_UEOFF	
CIR STUCK ON DIAG	Circuit Stuck On Diag.	Enable/Disable		Enable	DCKTOFF	
CIR.A MIN DIS.P	Min discharge change	0 to 99.0	psi	11 (sizes 04–12) 17 (sizes 14–26)	MDP_DISA	
CIR.A MIN SUC.P	Min Suction change	0 to 99.0	psi	4 (sizes 04–06) 6.5 (size 07) 8 (size 08) 7 (sizes 09–12) 14 (sizes 14–26)	MDP_SUCA	
OFF PRATIO	CirA PRatio off change	–1.00 to 1.00		–0.2 (sizes 04–06, 07, 09–14) –0.3 (sizes 08, 17–26)	OFFPR_A	
ODF SETTINGS	Outdoor Fans Configurations Menu					
ODF SIGNAL QTY	Number of ODF Outputs	0 to 3		1 (sizes 04–06) 2 (sizes 07,17, or 20) 3 (sizes 08–14, 24–26)	NUM_ODF	
ODF LOW COOL SPD	ODF Low Cool Speed	0 to 1200	rpm	1000 (size 04) 1075 (sizes 05–06) 550 (sizes 07–12) 700 (sizes 14–17, 26) 650 (sizes 20–24)	ODFLCSPD	

**Settings - Main Menu Layout (cont)**

Display Text	Expanded Text	Range	Units	Default	Point	Entry
<i>ODF SETTINGS (cont)</i>	<i>Outdoor Fans Configurations Menu</i>					
ODF MED COOL SPD	ODF Med Cool Speed	0 to 1200	rpm	1000 (size 04) 1075 (sizes 05–06) 700 (sizes 07, 12, or 24) 600 (size 08) 650 (size 09) 800 (sizes 14,17, or 26) 750 (size 20)	ODFMCSPD	
ODF HIGH COOL SPD	ODF High Cool Speed	0 to 1200	rpm	1000 (size 04) 1075 (sizes 05–06) 950 (sizes 07 or 09) 900 (size 08) 1000 (sizes 12–26)	ODFHCSPD	
ODF MAXIMUM SPEED	ODF Maximum Speed	0 to 1200	rpm	1000 (size 04) 1075 (sizes 05–06) 950 (sizes 07 or 09) 900 (size 08) 1000 (sizes 12–26)	ODFMAXSP	
ODF MINIMUM SPEED	ODF Minimum Speed	0 to 1200	rpm	160	ODFMINSP	
ODF ADVANCED CONFIGS	Outdoor Fan Advanced Configs Menu					
ODF GAIN	ODF Gain	–100 to 100.00		50 (sizes 04–06) 1 (size 07) 2 (sizes 08–12) 1.8 (sizes 14–20) 1.4 (sizes 24–26)	ODF_KC	
ODF ANTI–WINDUP	ODF anti–windup factor	–100 to 100.00		0.6	ODF_NI	
ODF INTEGRAL TIME	ODF Integral Time	–100 to 100.00		20 (sizes 04–06) 20 (sizes 07–12) 40 (sizes14–26)	ODF_TI	
ODF MBIAS 1	ODF Map Bias Term 1	–200 to 200.00		72.5 (sizes 04–06) 66.7 (size 07) –44.55 (sizes 08–12) 10 (sizes 14–20) 72.5 (sizes 24–26)	ODFBIAS1	
ODF MBIAS 2	ODF Map Bias Term 2	–200 to 200.00		100.98 (sizes 04–06) 95.2 (size 07) 80.59 (sizes 08–12) 35.3 (sizes 14–20) 100.98 (sizes 24–26)	ODFBIAS2	
ODF MBIAS 3	ODF Map Bias Term 3	–200 to 200.00		20.93 (sizes 04–06) 0 (sizes 07, 14–20) 65.29 (sizes 08–12) 114.74 (sizes 24–26)	ODFBIAS3	
ODF SWITCH POINT1	ODF Fan Switch Point 1	–100 to 100.00		3.68 (size 07) 3.4 (sizes 08–12) 4.84 (sizes 14–20) 1.58 (sizes 24–26)	ODFPIUP1	
ODF SWITCH POINT2	ODF Fan Switch Point 2	–100 to 100.00		17.1 (size 07) 9.06 (sizes 08–12) 22.3 (sizes 14–20) 10.44 (sizes 24–26)	ODFPIUP2	
ODF SWITCH POINT3	ODF Fans Switch Point 3	–100 to 100.00		100 (sizes 07, 14–20) 19.76 (sizes 08–12) 20.93 (sizes 24–26)	ODFPIUP3	
ODF PROP PR	ODF Proportional ctrl Pr	–100 to 100.00		1.4 (sizes 04–06) 25 (sizes 07–12) 50 (sizes 14–26)	ODFPR_KC	
ODF MSLOPE 1	ODF Map Slope Term 1	–100 to 100.00		55.3 (sizes 04–06) 25.3 (size 07) 60.09 (sizes 08–12) 31 (sizes 14–20) 55.33 (sizes 24–26)	ODFSLPE1	
ODF MSLOPE 2	ODF Map Slope Term 2	–100 to 100.00		19.07 (sizes 04–06) 9 (size 07) 18.69 (sizes 08–12) 9.6 (sizes 14–20) 19.07 (sizes 24–26)	ODFSLPE2	
ODF MSLOPE 3	ODF Map Slope Term 3	–100 to 100.00		8.85 (sizes 04–06) 1 (sizes 07, 14–20) 9.34 (sizes 08–12) 8.85 (sizes 24–26)	ODFSLPE3	
HEATING	Heating Configurations Menu					
UNIT TYPE OF HEAT	Type of Heat Installed	0=ELECTRIC 1=GAS		0 (50 series) 1 (48 series)	HEATTYPE	
HEATING STAGE QTY	Number of Heating Stages	0 to 2		2 (all except below); 0 (50 series without FIOP heat), 1 (50 Series, sizes 04–06 low or medium heat) 1 (50 series, sizes 07–14 and low heat), 1 (50 series, sizes 07–12 and medium heat)	NUMHSTGS	
HEAT MIN ON	Heat Minimum On Time	60 to 600	sec	120	H_MINON	
HEAT MIN OFF	Heat Minimum Off Time	60 to 600	sec	120	H_MINOFF	
HEAT STAGEUP TIME	Heat Stage Increase Time	120 to 999	sec	450	HSTAGINC	
HEAT SATTREND LEV	Heating SAT Trend Level	–1 to 1.0	^ F/min	0.2	SAT_TLH	
LOWER MAX SAT	Heat Max SAT Lower Level	85.0 to 200.0	° F	140	SATMAX_L	
UPPER MAX SAT	Heat Max SAT Upper Level	85.0 to 200.0	° F	160	SATMAX_H	

**Settings - Main Menu Layout (cont)**

Display Text	Expanded Text	Range	Units	Default	Point	Entry
<i>HEATING (cont)</i>	Heating Configurations Menu					
HEAT FANOFF DELAY	Heating Fan-off Delay	10 to 600	sec	30 (50 series) 45 (48 series)	HEAT_FOD	
HEAT LOCKOUT OAT	Heating Lockout Temp	40 to 125	°F	75	OATLHEAT	
SAT DURING HEAT?	SAT Heat Mode Sensing	Enable/Disable		Disable	SAT_HEAT	
IGC IFO TIMEOUT	No IGC IFO input Timeout	0 to 60	min	5	NO_IGCTM	
PREHEAT W/O IDF?	Pre-Heat HX without IDF?	Enable/Disable		Disable	PREHT_HX	
PREHEAT FAN DELAY	Pre-Heat Fan On Delay	0 to 120	sec	30	PREHT_TM	
SA TEMPER ENABLED	SupplyAirTemperingEnable	Yes/No		Yes	SATEMPEN	
SA TEMPER SET PNT	SA tempering Set point	xx	°F	50	SATEMPSP	
TEMPER MAX OUT	Max OAT for SA tempering	-40 to 125	°F	48	OATSTEMP	
<b>INDOOR FAN</b>	Indoor Fan Configurations Menu					
OCCUPIED FAN?	Fan On When Occupied	Yes/No		Yes	FANON_OC	
INDOOR FAN TYPE	Indoor Fan Type	0=None 1=VFD 2=Direct Drive	1	1 = All Units except sizes 04-06 fan option "0" 2 = fan option 0 on sizes 04-06	IDFTYPE	
DIR DRV IDF SPDS	Direct Drive Fan Speeds	2=2 3=3	2	2 = fan option 0 on sizes 04-06	NUMFSPDS	
SHUTDOWN IDF FAIL	Shut Down on IDF Failure	Yes/No	enum	No	FATALFAN	
IDF VFD VOLTAGE	IDF VFD Nom. Motor Volts	50 to 1000	volts	See VFD Motor Default Configuration Tables. For sizes 04-06 see Table 32. For size 07-26 Vertical units see Table 39. For size 07-26 Horizontal units see Table 40.	MOTVOLT	
IDF VFD NOM. FREQ	IDF VFD Nom. Motor Freq	20 to 400	Hz	60	MOTFREQ	
IDF VFD NOM. AMPS	IDF VFD Nom. Motor Amps	0.1 to 26.0	amps	See VFD Motor Default Configuration Tables. For sizes 04-06 see Table 32. For size 07-26 Vertical units see Table 39. For size 07-26 Horizontal units see Table 40.	MOTCUR	
IDF VFD NOM. RPM	IDF VFD Nom. Motor RPM	100 to 60000	rpm	See VFD Motor Default Configuration Tables. For sizes 04-06 see Table 32. For size 07-26 Vertical units see Table 39. For size 07-26 Horizontal units see Table 40.	MOTNOMSP	
IDF VFD MIN REF	IDF VFD Min Reference	0 to 65.0	Hz	0	MINREF	
IDF VFD MAX REF	IDF VFD Max Reference	0 to 65.0	Hz	60	MAXREF	
VFD ACCEL. TIME	IDF VFD Accel. Time	1 to 1800	sec	10	RAMPUP_T	
VFD DECEL. TIME	IDF VFD Decel. Time	1 to 1800	sec	10	RAMPDN_T	
IDF VFD AMP LIMIT	IDF VFD Current Limit	0 to 300		100	CURRLMT	
IDF VFD TIMEOUT	IDF VFD Comm time out	1 to 600	sec	30	CNT_TOUT	
IDF VFD RESET DUR	IDF VFD Auto Reset time	0 to 600	sec	30	ARSTR_T	
VFD RFI FILTER	IDF VFD RFI Filter	On/Off		On	RFIFILTR	
<b>ECONOMIZER</b>	Economizer Configurations Menu					
ECON INSTALLED?	Economizer Installed?	Yes/No		No: no FIOP Yes: FIOP	ECONO	
ECON MAX POS	Econ Max Damper Position	0 to 100	%	100	DAMPMAX	
ECON TRAVEL TIME	Economizer Travel Time	5 to 300	sec	150	ECONOTRV	
MINIMUM POSITION CONFIGS	Minimum Position Configurations menu					
MIN POS @ MAX FAN	Econ Min at Max Fanspeed	0 to 100	%	30	MINP_MAX	
MIN POS SPEED 1	Min Pos - User Speed 1	0 to 100	%	0	MP_USPD1	
MIN POS DAMP 1	Min Pos - User Pos 1	0 to 100	%	0	MP_UPOS1	
MIN POS SPEED 2	Min Pos - User Speed 2	0 to 100	%	0	MP_USPD2	
MIN POS DAMP 2	Min Pos - User Pos 2	0 to 100	%	0	MP_UPOS2	
MIN POS SPEED 3	Min Pos - User Speed 3	0 to 100	%	0	MP_USPD3	
MIN POS DAMP 3	Min Pos - User Pos 3	0 to 100	%	0	MP_UPOS3	
FREE COOL CONFIGS	Free Cooling Specific Configurations Menu					
LOW COOL SAT SP	Low Free Cool SAT Setpnt	40 to 80	°F	65	LCSASP	
HIGH COOL SAT SP	High FreeCool SAT Setpnt	40 to 80	°F	55	HCSASP	
FREE COOL MAX OAT	Free Cooling Max OAT	0 to 90	°F	65	MAXFREET	
FREE COOL MIN OAT	Free Cooling Min Temp	-30 to 70	°F	0	MINFREET	
DIFF DRY BULB CTL	Diff. Dry Bulb Control	Enable/Disable		Disable	DIFFBULB	
DIFF DB DEADBAND	Diff. Dry Bulb Deadband	0 to 20	°F	3	OATRATDB	
ENTHALPY HI LIMIT	Max Enthalpy OA limit	1.0 to 99.0	Btu/lb	28	FREEMAXE	
DIFF ENTHALPY CTL	Diff. Enthalpy Control	Enable/Disable		Disable	DIFFENTH	
ENTHALPY DEADBAND	Enthalpy Cross Deadband	0 to 20.0	Btu/lb	2	OAERAEDB	
ECONO PID - KP	Economizer PID - kP	0.00 to 99.90		2.5	ECONO_P	
ECONO PID - KI	Economizer PID - kI	0.00 to 99.90		0.12	ECONO_I	
ECONO PID - KD	Economizer PID - kD	0.00 to 99.90		1	ECONO_D	
ECONO PID - RATE	Economizer PID - rate	10 to 180	sec	15	ECONO_DT	



**Settings - Main Menu Layout (cont)**

Display Text	Expanded Text	Range	Units	Default	Point	Entry
<i>NEW HARDWARE (cont)</i> OARH SENSOR CHAN	<i>Quick Menu for New Hardware</i> OARH Assigned Channel	0=None, 1=MBB AI06, 2=MBB AI07, 3=MBB AI08		3: no FIOP 0: FIOP	OARHCHAN	
RARH SENS CHANNEL	RARH Assigned Channel	0=None, 1=MBB AI06, 2=MBB AI07, 3=MBB AI08		0=None	RARHCHAN	
OACFM SENS CHANNEL	OACFM Assigned Channel	0=None, 1=MBB AI06, 2=MBB AI07, 3=MBB AI08, 4=SIOB Ai10		0=None	OCFMCHAN	
FIRE SHUTDOWN SW	Fire Shutdown Switch	0=NORM OPEN, 1=NORM CLSD, 2=NO SWITCH		2: no FIOP 0: FIOP	FIRE_CFG	
FILTER SW CHANNEL	Filter Status Sw Channel	0=None, 1=MBB DI12, 2=MBB DI13, 3=MBB DI14, 4=MBB DI02, 5=MBB DI04		0=None	FILTCHAN	
REMOTE OCC CHAN	Remote Occupancy Channel	0=None, 1=MBB DI12, 2=MBB DI13, 3=MBB DI14, 4=MBB DI02, 5=MBB DI04		0=None	RMOCCHAN	
REM.SHUTDOWN CHAN	Remote Shutdown Channel	0=None, 1=MBB DI12, 2=MBB DI13, 3=MBB DI14, 4=MBB DI02, 5=MBB DI04		0=None	ROFFCHAN	
COFS CHANNEL	COFS Assigned Channel	0=None, 1=MBB DI12, 2=MBB DI13, 3=MBB DI14, 4=MBB DI02, 5=MBB DI04		0=None	COFSCHAN	
GEN STATUS CHAN	General Status Channel	0=None, 1=MBB DI12, 2=MBB DI13, 3=MBB DI14, 4=MBB DI02, 5=MBB DI04		0=None	GEN_CHAN	
ENTHALPY SW CHAN	Enthalpy Sw Channel	0=None, 1=MBB DI12, 2=MBB DI13, 3=MBB DI14, 4=MBB DI02, 5=MBB DI04		0=None	ENTHCHAN	
SIOB1 INSTALLED	SIOB 1 Enabled	Yes/No		No for all except Humidimizer units	SIOB1_EN	
NETWORK SETTINGS	Building Network Configurations Menu					
BAS PROTOCOL	BAS Protocol Select	0=NONE, 1=CCN, 2=BACNET	x	0=NONE	BMS_CFG	
NETWORK TIMEOUT	Network Input Timeout	0 to 600	min	30	NETINTO	
CCN	CCN Network Configuration Menu					
BUS NUMBER	CCN Bus Number	0 to 239		0	CCNBUS	
CCN ELEMENT #	CCN Element Number	1 to 239		1	CCNADD	
CCN BAUDRATE	CCN Baud Rate	0=9600, 1=19200, 2=38400		2=38400	BAUDENUM	
BROADCAST ACK?	CCN Broadcast Ack'er	Yes/No		No	CCNBCACK	
BROADCAST SCHEDL?	Global Schedule Broadcast	Yes/No		No	CCN_GSBC	
BROADCAST TIME?	CCN Time Broadcast	Yes/No		No	CCNBC	
BROADCAST OAT?	Broadcast OAT On Network	Yes/No		No	OATBC	
BROADCAST OARH?	Broadcast OARH On Netwrk	Yes/No		No	OARHBC	
BROADCAST OAQ?	Broadcast OAQ On Network	Yes/No		No	OAQBC	
BROADCAST IAQ?	Broadcast IAQ On Network	Yes/No		No	IAQBC	
LOCATION	Device Location	text string		<blank>	DEV_LOC	
REFERENCE NUMBER	Reference number	text string		<blank>	REF_NUM	
BACNET	BACnet network configuration menu					
MAC ADDRESS	BACnet Device Macaddress	1 to 127		01	BAC_MAC	
BACNET BAUDRATE	BACnet BMS baud rate	0=9600, 1=19200, 2=38400, 3=57600, 4=76800, 5=115200		4=76800	BAC_BAUD	
AUTO ID SCHEME	ALC Auto Id Scheme	Yes/No		Yes	AUID	
BACNET AUTO ID	BACnet ID Auto ID	Yes/No		Yes	BAC_AUID	
BACNET ID	BACnet ID Number	0 to 4194302		1610101	BAC_ID	
LINKAGE SETTINGS	LINKAGE SETTINGS MENU					
DEVICE IAQ	BACnet device for IAQ	0 to 4194303		1610100	DEVIAQ	
OBJECT ID IAQ	Object instance for IAQ	0 to 9999		1009	OBJIAQ	
COV IAQ	Change of value for IAQ	0 to 60		0	COVIAQ	
DEVICE OAQ	BACnet device for OAQ	0 to 4194303		1610100	DEVOAQ	



**Settings - Main Menu Layout (cont)**

Display Text	Expanded Text	Range	Units	Default	Point	Entry
<i>NETWORK SETTINGS (cont)</i>	<i>Building Network Configuration Menu</i>					
OBJECT ID OAQ	Object instance for OAQ	0 to 9999		285	OBJOAQ	
COV OAQ	Change of value for OAQ	0 to 60		0	COVOAQ	
DEVICE OARH	BACnet device for OARH	0 to 4194303		1610100	DEVOARH	
OBJECT ID OARH	Object instance for OARH	0 to 9999		1022	OBJOARH	
COV OARH	Change of value for OARH	0 to 60		0	COVOARH	
DEVICE OAT	BACnet device for OAT	0 to 4194303		1610100	DEVOAT	
OBJECT ID OAT	Object instance for OAT	0 to 9999		1003	OBJOAT	
COV OAT	Change of value for OAT	0 to 60		0	COVOAT	
DEVICE RARH	BACnet device for RARH	0 to 4194303		1610100	DEVRRARH	
OBJECT ID RARH	Object instance for RARH	0 to 9999		30	OBJRRARH	
COV RARH	Change of value for RARH	0 to 60		0	COVRARH	
DEVICE RAT	BACnet device for RAT	0 to 4194303		1610100	DEVRRAT	
OBJECT ID RAT	Object instance for RAT	0 to 9999		1010	OBJRRAT	
COV RAT	Change of value for RAT	0 to 60		0	COVRAT	
DEVICE SPT	BACnet device for SPT	0 to 4194303		1610100	DEVSPPT	
OBJECT ID SPT	Object instance for SPT	0 to 9999		2007	OBJSPPT	
COV SPT	Change of value for SPT	0 to 60		0	COVSPT	
LOCAL_SHEDL_EDIT	Allow Local Sched Edit	Yes/No	enum	No	LCL_EDIT	
SYSTEM TOUCH	System Touch Menu					
DEVICE INSTANCE	System Touch Device Inst	0 to 4194303		160099	DEVST	
POLLING RATE	System Touch Poll Rate	10 to 60		10	POLLST	
SPACE TEMP AI	System Touch AI for SPT	0 to 9999		1	AISTSPT	
SPACE RH AI	System Touch AI for SPRH	0 to 9999		4	AISTSPRH	
ZS SENSOR CFG	ZS Sensor Configuration					
ZS1 ADDRESS	Zone Sensor 1 Address	0 to 255		255	ZSADDR1	
ZS2 ADDRESS	Zone Sensor 2 Address	0 to 255		255	ZSADDR2	
ZS3 ADDRESS	Zone sensor 3 address	0 to 255		255	ZSADDR3	
ZS4 ADDRESS	Zone sensor 4 address	0 to 255		255	ZSADDR4	
ZS5 ADDRESS	Zone sensor 5 address	0 to 255		255	ZSADDR5	
ZS POLL RATE	Zone sensor poll rate	1 to 100	sec	5	ZSPOLLRT	
ZS UNIT	Zone sensor unit	0=degrees F		0=degrees F	ZSUNIT	
ZS FRC UNOC ENBL	ZS Force Unoccup enable	No		No	ZSFUNEN	
ZS FRC UNOC DELAY	ZS Force unocc wt delay	No		No	ZSFUNWT	
ZS TLO CONT ENBL	ZS TLO Cont Enable	No		No	ZSTLOEN	
TLO SET DURING OC	ZS TLO set during occ	No		No	ZSTLSOC	
ZS UI MODE	Zone sensor UI Mode	1=Dual Offsets		1=Dual Offsets	ZSUIM	
NETWORK CHKLIST	NETWORK SETUP CHECKLIST	0=Undone, 1=Perform, 2=Done		0=Undone	CHK_NET	
DISPLAY SETTINGS	User Display Configurations Menu					
METRIC DISPLAY	Metric Display	Yes/No		No	DISPUNIT	
LANGUAGE	Display Language Select	0=English		0=English	LANGUAGE	
CONTRAST ADJUST	LCD Contrast Adjustment	1 to 10		5	LCD_CONT	
PASSWORD ENABLE?	User Password Protection	Enable/Disable		Enable	PASS_EBL	
VIEW USER PASSWORD	View User Password Menu					
CHANGE USER PASSWORD	Change User Password Menu					
QUICK SETUP CONFIG	QUICK SETUP CONFIG MENU					
TIME	Clock Hour and Minute	xx:xx	hh.mm	0	TIME	
DATE	Current Date	MM/DD/YYYY		0	DATE	
STARTUP DELAY	Unit Startup Delay	10 to 600	sec	30	STARTDLY	
UNIT CONTROL TYPE	Unit Control Type	0=TSTAT, 1=SPACE SEN, 2=RAT SEN		0=TSTAT	CTRLTYPE	
THERMOSTAT TYPE	Thermostat Hardware Type	0=CONV 2C2H, 1=DIGI 2C2H, 2=CONV 3C2H, 3=DIGI 3C2H, 4=DIGI 2C2H		2=CONV 3C2H	STATTYPE	
DIRTY FILTER TIME	Change Filter Timer	0 to 9999	hours	600	FILTIFE	
VENT IDF SPEED	Ventilation Only IDF Spd	0 to 100	%	50 (sizes 04-06) 67 (sizes 07-12) 53 (sizes 14 or 20) 56 (size 17) 52 (size 24) 60 (size 26)	FSPDVENT	
HEATING STAGE QTY	Number of Heating Stages	0 to 2		2 (all except below): 0 (50 series without FLOP heat), 1 (50 series, sizes 07-14 and low heat), 1 (50 Series, sizes 04-06 low or medium heat), 1 (50 series, sizes 07-12 and medium heat)	NUMHSTGS	
ECON INSTALLED?	Economizer Installed?	Yes/No		No: no FLOP Yes: FLOP	ECONO	
FREE COOL MAX OAT	Free Cooling Max OAT	0 to 90	°F	65	MAXFREET	
FIRE SHUTDOWN SW	Fire Shutdown Switch	0=NORM OPEN, 1=NORM CLSD, 2=NO SWITCH		2: no FLOP 0: FLOP	FIRE_CFG	
QUICK SET CHKLIST	QUICK SETUP CHECKLIST	0=Undone, 1=Perform, 2=Done		0=Undone	CHK_QUIK	



# UNIT START-UP CHECKLIST

(Remove and Store in Job File)

**NOTE: To avoid injury to personnel and damage to equipment or property when completing the procedures listed in this start-up checklist, use good judgement, follow safe practices, and adhere to the safety considerations/information as outlined in the preceding sections of this Installation Instructions document.**

MODEL NO.: \_\_\_\_\_

SERIAL NO.: \_\_\_\_\_

DATE: \_\_\_\_\_

TECHNICIAN: \_\_\_\_\_

## I. PRE-START-UP:

- VERIFY THAT ALL PACKAGING MATERIALS HAVE BEEN REMOVED FROM UNIT
- VERIFY INSTALLATION OF OUTDOOR AIR HOOD
- VERIFY INSTALLATION OF FLUE EXHAUST AND INLET HOOD (48LC ONLY)
- VERIFY THAT CONDENSATE CONNECTION IS INSTALLED PER INSTALLATION INSTRUCTIONS
- VERIFY THAT ALL ELECTRICAL CONNECTIONS AND TERMINALS ARE TIGHT
- VERIFY GAS PRESSURE TO UNIT GAS VALVE IS WITHIN SPECIFIED RANGE (48LC ONLY)
- CHECK GAS PIPING FOR LEAKS (48LC ONLY)
- CHECK THAT INDOOR-AIR FILTERS ARE CLEAN AND IN PLACE
- CHECK THAT OUTDOOR AIR INLET SCREENS ARE IN PLACE
- VERIFY THAT UNIT IS LEVEL
- CHECK FAN WHEELS AND PROPELLER FOR LOCATION IN HOUSING/ORIFICE AND VERIFY SETSCREW IS TIGHT
- VERIFY THAT FAN SHEAVES ARE ALIGNED AND BELTS ARE PROPERLY TENSIONED
- VERIFY THAT SCROLL COMPRESSORS ARE ROTATING IN THE CORRECT DIRECTION
- VERIFY INSTALLATION OF THERMOSTAT/SPACE SENSOR
- VERIFY CONFIGURATION VALUES FOR ELECTRONIC CONTROLS (REFER TO CONTROL SET UP CHECKLIST)
- VERIFY THAT CRANKCASE HEATERS HAVE BEEN ENERGIZED FOR AT LEAST 24 HOURS (48LC ONLY)

## II. START-UP

### ELECTRICAL

SUPPLY VOLTAGE	L1-L2 _____	L2-L3 _____	L3-L1 _____	
COMPRESSOR AMPS	— UNLOADED	L1 _____	L2 _____	L3 _____
	— WITH LOADER	L1 _____	L2 _____	L3 _____
ELECTRIC HEAT AMPS (IF EQUIPPED)		L1 _____	L2 _____	L3 _____
SUPPLY FAN AMPS AT MAX SPEED		L1 _____	L2 _____	L3 _____

### TEMPERATURES

OUTDOOR-AIR TEMPERATURE	_____	F DB (Dry Bulb)	_____	F WB (Wet Bulb)
RETURN-AIR TEMPERATURE	_____	F DB	_____	F WB
COOLING SUPPLY AIR	_____	F DB	_____	F WB
GAS HEAT SUPPLY AIR (48LC)	_____	F	_____	F
ELECTRIC HEAT SUPPLY AIR (50LC)	_____	F	_____	F

### PRESSURES

GAS INLET PRESSURE	_____	IN. WG		
GAS MANIFOLD PRESSURE	STAGE NO. 1 _____	IN. WG	STAGE NO. 2 _____	IN. WG
REFRIGERANT SUCTION	CIRCUIT A _____	PSIG	CIRCUIT A Superheat _____	degF
REFRIGERANT DISCHARGE	CIRCUIT A _____	PSIG	CIRCUIT A Subcooling _____	degF

- VERIFY REFRIGERANT CHARGE USING CHARGING CHARTS

### GENERAL

- ECONOMIZER MINIMUM VENT AND CHANGEVER SETTINGS TO JOB REQUIREMENTS

### III. HUMIDI-MIZER® SYSTEM START-UP

#### STEPS

- 1. CHECK CTB FOR JUMPER 5, 6, 7  
JUMPER 5, 6, 7 MUST BE CUT AND OPEN
- 2. OPEN HUMIDISTAT CONTACTS
- 3. START UNIT IN COOLING (CLOSE Y1)

#### OBSERVE AND RECORD

- A. SUCTION PRESSURE \_\_\_\_\_ PSIG \_\_\_\_\_ PSIG
  - B. DISCHARGE PRESSURE \_\_\_\_\_ PSIG \_\_\_\_\_ PSIG
  - C. ENTERING AIR TEMPERATURE \_\_\_\_\_ °F \_\_\_\_\_ °F
  - D. LIQUID LINE TEMPERATURE  
AT OUTLET OR REHEAT COIL \_\_\_\_\_ °F \_\_\_\_\_ °F
  - E. CONFIRM CORRECT ROTATION FOR COMPRESSOR
  - F. CHECK FOR CORRECT RAMP-UP OF OUTDOOR FAN MOTOR AS CONDENSER COIL WARMS
- 3. CHECK UNIT CHARGE PER CHARGING CHART
  - 4. SWITCH UNIT TO HIGH-LATENT MODE (SUBCOOLER) BY CLOSING HUMIDISTAT WITH Y1 CLOSED

#### OBSERVE

- A. REDUCTION IN SUCTION PRESSURE (5 TO 7 PSI EXPECTED)
  - B. DISCHARGE PRESSURE UNCHANGED
  - C. LIQUID TEMPERATURE DROPS TO 50 TO 55°F RANGE
  - D. LSV SOLENOID ENERGIZED (VALVE CLOSSES)
- 5. SWITCH UNIT TO DEHUMID (REHEAT) BY OPENING Y1

#### OBSERVE

- A. SUCTION PRESSURE INCREASES TO NORMAL COOLING LEVEL
  - B. DISCHARGE PRESSURE DECREASES (35 TO 50 PSI)
  - C. LIQUID TEMPERATURE RETURNS TO NORMAL COOLING LEVEL
  - D. LSV SOLENOID ENERGIZED (VALVE CLOSSES)
  - E. DSV SOLENOID ENERGIZED, VALVE OPENS
- 6. WITH UNIT IN DEHUMID MODE CLOSE W1  
COMPRESSOR AND OUTDOOR FAN STOP; LSV AND DSV SOLENOIDS DE-ENERGIZED
  - 7. OPEN W1 RESTORE UNIT TO DEHUMID MODE
  - 8. OPEN HUMIDISTAT INPUT  
COMPRESSOR AND OUTDOOR FAN STOP; LSV AND DSV SOLENOIDS DE-ENERGIZED
  - 9. RESTORE SETPOINTS FOR THERMOSTAT AND HUMIDISTAT

### REPEAT PROCESS FOR 2 COMPRESSOR SYSTEMS