

50XL
Infinity™ 15 SEER Single-Packaged Air Conditioner
System with Puron® (R-410A) Refrigerant
Single Phase
2-5 Nominal Tons (Sizes 024-060)



Turn to the Experts.™

Product Data

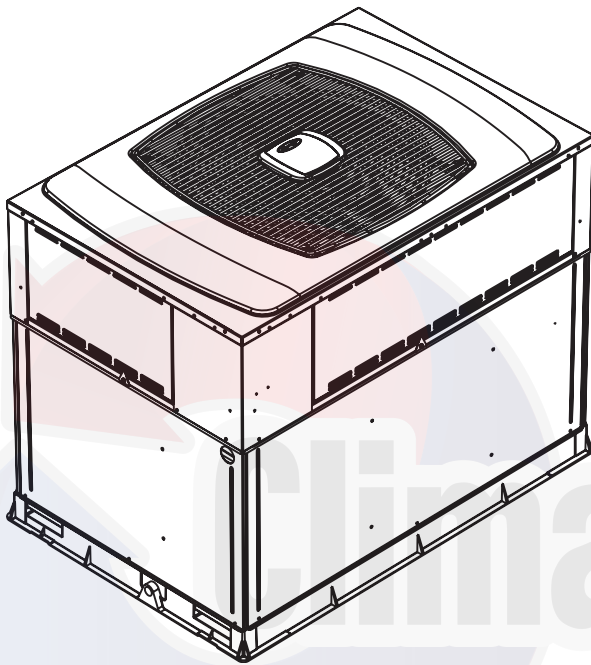


Fig. 1 - Unit 50XL

A05307

Single-Packaged Products with Energy-Saving Features and Puron® refrigerant.

- Up to 15.5 SEER
- Low Sound Levels
- Variable-Speed Blower (Standard)
- Factory-Installed TXV
- Two Stage Cooling

FEATURES/BENEFITS

One-piece cooling unit with optional electric heater, low installation cost, dependable performance and easy maintenance.

Efficient operation

High-efficiency design with SEERs (Seasonal Energy Efficiency Ratio) of up to 15.5.

Puron® Environmentally-Sound Refrigerant is Carrier's unique refrigerant designed to help protect the environment. Puron is an HFC refrigerant which does not contain chlorine that can harm the ozone layer. Puron refrigerant is in service in millions systems, proving highly reliable, environmentally sound performance.

IdealHumidity™ Technology featuring Infinity™ control and Variable-Speed Blower motor and two stages of cooling that provide greater comfort, humidity control, and energy efficiency.

Variable-Speed Blower motors provide better comfort and energy efficiency. You can expect up to 30 times better dehumidification; economical constant fan which provides improved indoor air quality and more even temperatures from room to room; and reduced indoor noise due to lower air velocity. In addition, you'll realize improved installation flexibility with 3 different airflow choices for best overall comfort.

Easy installation

Factory-assembled package is a compact, fully self-contained, electric cooling unit that is pre-wired, pre-piped, and pre-charged for minimum installation expense. 50XL units are available in a variety of standard capacity ranges. Units install easily on a rooftop or at ground level.

Durable, dependable components

Compressors have two stages of cooling and are designed for high efficiency. Each compressor is hermetically sealed against contamination to help promote longer life and dependable operation. Vibration isolation provides quiet operation. Compressors have internal high-pressure and overcurrent protection.

Convertible duct configuration

Unit is designed for easy use in either downflow or horizontal applications. Each unit is easily converted from horizontal to downflow with two duct covers (available as an accessory). Downflow operation is easily provided in the field to allow vertical ductwork connections. The basepan utilizes knockout style seals on the bottom openings to ensure a positive seal in the horizontal airflow mode.

Direct-drive, variable-speed blower motor is standard on all 50XL models.

Direct-drive, PSC condenser fan motors are designed to help reduce energy consumption and provide for cooling operation down to 55°F (12.7°C) outdoor temperature. Low-ambient cooling is available below 55°F (12.7°C) when low-ambient cooling is enabled in the User Interface (UI). Motormaster® II low-ambient kit is not required.

Infinity™ User Interface designed to work as a system with Carrier's single-packaged product.

Refrigerant system is designed to provide dependability. Liquid refrigerant filter driers are used to promote clean, unrestricted operation. Each unit leaves the factory with a full Puron refrigerant charge. Refrigerant service connections make checking operating pressures easier.

Indoor and outdoor coils are computer designed for optimum heat transfer and cooling efficiency. The indoor coil is fabricated from copper tube and aluminum fins and is located inside the unit for protection against damage. The outdoor coil is internally mounted on the top tier of the unit. Copper fin coils and pre-coated fin coils are available from the factory by special order. These coils are recommended in applications where aluminum fins are likely to

be damaged due to corrosion. They are ideal for seacoast applications.

Thermostatic Expansion Valve—A hard-shutoff, balance-port TXV maintains a constant superheat at the evaporator exit (cooling cycle) resulting in higher overall system efficiency.

High- and Low-Pressure Switches give added safety and reliability to the compressor.

Low sound ratings ensure a quiet indoor and outdoor environment with sound ratings as low as 75 dBA. (See page 3.)

Easy to service cabinets provide easy single-panel accessibility to serviceable components during maintenance and installation. The basepan, with integrated drain pan, provides easy ground level installation with or without a mounting pad. Convenient handholds are provided to manipulate the unit on the job site. A nesting feature ensures a positive basepan to roof curb seal when the unit is roof mounted. A convenient 3/4-in. (19 mm) wide perimeter flange makes frame mounting on a rooftop easy.

Louvered grille provides hail and vandalism protection for the coil.

Cabinets are constructed of heavy-duty, phosphated, zinc-coated, pre-painted steel capable of withstanding 500 hrs of salt spray. Interior surfaces of the evaporator and electric heater compartments are insulated with cleanable semi-rigid insulation board, which keeps the conditioned air from being affected by the outdoor ambient temperature and provides improved indoor air quality. (Conforms to American Society of Heating, Refrigeration and Air Conditioning Engineers No. 62P.) The sloped drain pan minimizes standing water in the unit, which is provided with an external drain.

Short-cycling protection for the compressor is incorporated into our Infinity heat pump/air conditioner dual capacity control board ensuring a five-minute delay before restarting compressor after shutdown for any reason.

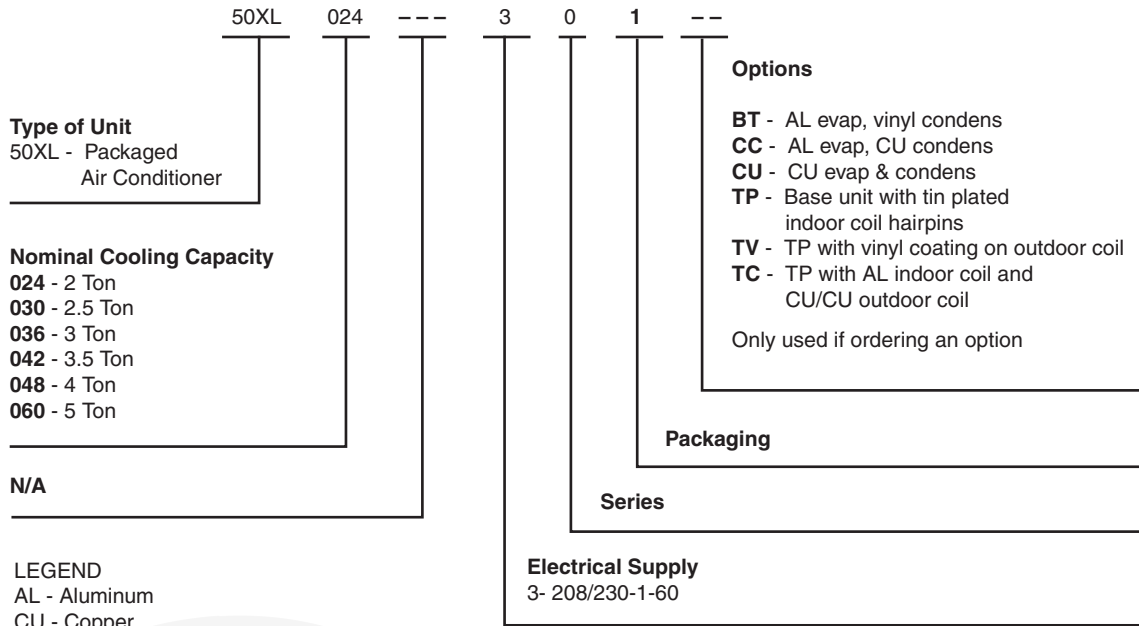
Limited Warranty—Standard 5-year limited warranty on all parts, 10-year limited warranty on compressor.

50XL

TABLE OF CONTENTS

FEATURES/BENEFITS	1-2
MODEL NUMBER NOMENCLATURE	3
ARI CAPACITIES	3
PHYSICAL DATA	4
OPTIONS AND ACCESSORIES	5-6
BASE UNIT DIMENSIONS	7-8
ACCESSORY DIMENSIONS	9
SELECTION PROCEDURE	10
PERFORMANCE DATA	11-18
TYPICAL PIPING AND WIRING	19
APPLICATION DATA	20
ELECTRICAL DATA	20
TYPICAL WIRING SCHEMATICS	21
CONTROLS	22
GUIDE SPECIFICATIONS	23-24

MODEL NUMBER NOMENCLATURE



LEGEND
AL - Aluminum
CU - Copper

50XL

ARI* CAPACITIES

Cooling Capacities, Efficiencies

Unit 50XL	Nominal Tons	Standard CFM (High / Low Stage)	Net Cooling Capacities - Btuh (High / Low Stage)	EER @A**	SEER†
024	2	800 / 600	22,600 / 17,600	11.4	15.5
030	2-1/2	1000 / 700	28,600 / 21,400	11.6	15.0
036	3	1200 / 850	34,600 / 24,400	12	15.0
042	3-1/2	1400 / 975	40,500 / 29,000	11.6	15.0
048	4	1600 / 1100	46,000 / 33,400	11	15.0
060	5	1750 / 1200	57,000 / 40,500	11	14.5

* Air Conditioning & Refrigeration Institute.
** "A" conditions—80°F (26.6°C) indoor db/67°F (19.4°C) indoor wb & 95°F (35°C) outdoor db.
† Rated in accordance with U.S. Government DOE Department of Energy) test procedures and/or ARI Standards 210/240-94.

Notes:

1. Ratings are net values, reflecting the effects of circulating fan heat. Ratings are based on:
Cooling Standard: 80°F (26.6°C) db, 67°F (19.4°C) wb indoor entering –air temperature and 95°F (35°C) db outdoor entering–air temperature.
2. Before purchasing this appliance, read important energy cost and efficiency information available from your retailer.

LEGEND

dba—Sound Levels (decibels)
db—Dry Bulb
SEER—Seasonal Energy Efficiency Ratio
wb—Wet Bulb

PHYSICAL DATA

UNIT SIZE	024	030	036	042	048	060	
NOMINAL CAPACITY ton	2	2-1/2	3	3-1/2	4	5	
OPERATING WEIGHT lb (kg)	363 (165)	368 (167)	447 (203)	469 (213)	475 (215)	526 (239)	
COMPRESSOR	Two-Stage Scroll						
REFRIGERANT: PURON (R-410A) Quantity lb (kg)	10.1 (4.6)	11.3 (5.1)	9.5 (4.3)	13.8 (6.3)	15.3 (6.9)	15.8 (7.2)	
REFRIGERANT METERING DEVICE	TXV						
Size	2 Ton	3 Ton	3 Ton	4 Ton	4 Ton	5 Ton	
Part Number	EA36DY129	EA36DY139	EA36DY139	EA36DY149	EA36DY149	EA36DY159	
OUTDOOR COIL							
Rows...Fins/in.	2...21	2...21	2...21	2...21	2...21	2...21	
Face Area (sq. ft.)	13.6	15.3	17.5	19.4	19.4	23.3	
OUTDOOR FAN							
Nominal Cfm	2700	2700	2800	2800	3300	3300	
Diameter (in.)	22	22	22	22	22	22	
(mm)	559	559	559	559	559	559	
Motor HP (RPM)	1/8 (825)	1/8 (825)	1/8 (825)	1/8 (825)	1/4 (1100)	1/3 (1110)	
INDOOR COIL							
Rows...Fins/in.	3...17	3...17	3...17	3...17	3...17	4...17	
Face Area (sq. ft.)	3.7	3.7	4.7	4.7	5.7	5.7	
INDOOR FAN							
Nominal Airflow (Cfm)	Variable based on Comfort Settings (see User Interface instructions for more information).						
Comfort	700	875	1050	1225	1400	1750	
Efficiency	800	1000	1200	1400	1600	2000	
Max	10x10 (254x254)	10x10 (254x254)	11x10 (279x254)	11x10 (279x254)	11x10 (279x254)	11x10 (279x254)	
Size in. (mm)	1/2	1/2	3/4	3/4	3/4	1	
Motor HP (RPM)							
HIGH-PRESSURE SWITCH (psig)	670 ± 10						
Cutout	470 ± 25						
Reset (Auto)							
HIGH-PRESSURE SWITCH 2 (psig)	565 ± 15						
(Compressor Solenoid)	455 ± 15						
Cutout							
Reset (Auto)							
LOSS-OF-CHARGE/LOW-PRESSURE SWITCH	23 ± 5						
(Liquid Line) (psig)	55 ± 5						
Cutout							
Reset (Auto)							
RETURN-AIR FILTERS Throwaway in.* (mm)	20x24x1 (508x610x25)	24x30x1 (610x762x25)	24x36x1 (610x914x25)				

*Recommended filter sizes for field—installed air filter grilles mounted on the wall or ceiling of the conditioned structure. Required filter sizes shown are based on the larger of the ARI (Air Conditioning and Refrigeration Institute) rated cooling airflow or the heating airflow velocity of 300 ft (91.4 m) /minute for throwaway type or 450 ft (137 m) /minute for high—capacity type. Air filter pressure drop for non—standard filters must not exceed 0.08 in. wc.

A-Weighted Sound Power Level (dBA)

MODEL 50XL	Sound Ratings (dBA)	Typical Octave Band Spectrum (dBA without tone adjustment)						
		125	250	500	1000	2000	4000	8000
024	75	58.8	63.5	67.2	66.9	63.7	58.3	50.0
030	75	58.8	63.5	67.2	66.9	63.7	58.3	50.0
036	75	63.7	63.3	66.8	66.5	64.2	60.3	53.0
042	75	62.8	62.8	67.8	67.4	63.7	57.7	50.8
048	78	69.9	69.9	71.3	73.4	70.0	66.3	60.1
060	78	67.6	67.6	71.8	75.5	71.0	68.1	59.9

NOTE: Tested in accordance with ARI Standard 270–95 (not listed in ARI).

50XL

OPTIONS AND ACCESSORIES

Factory-installed options

Coil options include tin-plated* indoor hairpins, copper/copper and vinyl-coated construction for refrigerant coils. Units are shipped standard with copper tube/aluminum fin construction. See model number nomenclature for coil options.

*Tin-plated indoor coils are built with special hairpins that are designed to resist both general pitting corrosion and excessive indoor corrosion (Formicary Corrosion).

Field-installed accessories

Manual Air Damper (25% open)
Electric Heaters
Filter Rack
Flat Roof Curbs (8-in. and 14-in.) (203 mm and 356 mm)
Square-to-Round Duct Transition Kit
Infinity™ User Interface
Crankcase Heater
Lifting Kit
Compressor Hard Start Kit

Manual outside air damper includes hood and filter rack with adjustable damper blade for up to 25% outdoor air.

Electric heaters provide additional heat in the unit when required. Each package has a heater module that slides into the controls

Electric Heaters

Ordering Number	Nominal Capacity (kW)	Used With Sizes							
		Fused	Stages	24	30	36	42	48	60
208/240 — SINGLE PHASE — 60 Hz									
CPHEATER080A00	3.8 / 5.0	NO	1	X	X	X	X	X	X
CPHEATER082A00	5.4 / 7.2	NO	1	X	X	X	X	X	X
CPHEATER084A00	7.5 / 10.0	NO	1	X	X	X	X	X	
CPHEATER085A00	7.5 / 10.0	YES	1						X
CPHEATER086A00	11.3 / 15.0	YES	2		X	X	X	X	
CPHEATER087A00	11.3 / 15.0	YES	2						X
CPHEATER088A00	15.0 / 20.0	YES	2				X	X	
CPHEATER089A00	15.0 / 20.0	YES	2						X

NOTE

Electric heaters are rated at 240v. Refer to Multiplication Factors table for other voltages.

X = Approved combination

compartment. Heater sizes range from 5.0 to 20.0 kW. The electric heater design allows the use of a single-point power supply for the entire unit, resulting in lower installed costs.

Flat roof curbs in both 8 in. (203 mm) and 14 in. (356 mm) sizes are available for roof mounted applications.

Square-to-round duct transition kit enables 024-048 size units to be fitted to 14 in. (356 mm) round ductwork.

Infinity User Interface coupled with the system's variable-speed indoor blower delivers Carrier's patented IdealHumidity technology that allows for even greater humidity control. Along with more precisely controlling temperature and humidity, the Infinity User Interface offers full seven-day programmability allowing you to further customize your comfort and energy savings.

Lifting kit includes 4 metal brackets that are available to assist in lifting this product onto a roof application.

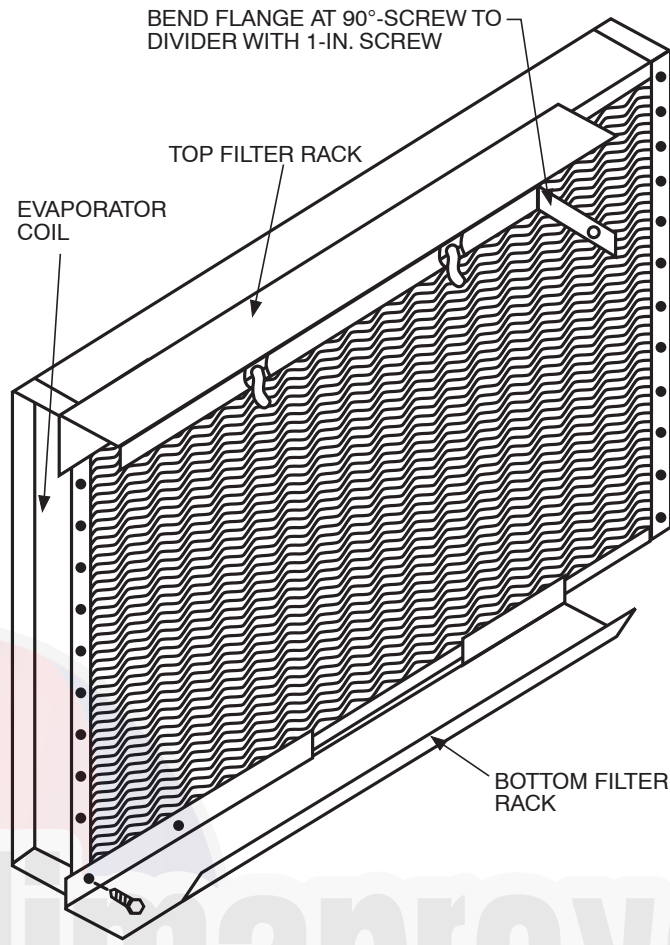
Crankcase heater provides anti-floodback protection for low-load cooling applications.

Filter rack features easy installation, serviceability, and high-filtering performance for vertical or horizontal applications.

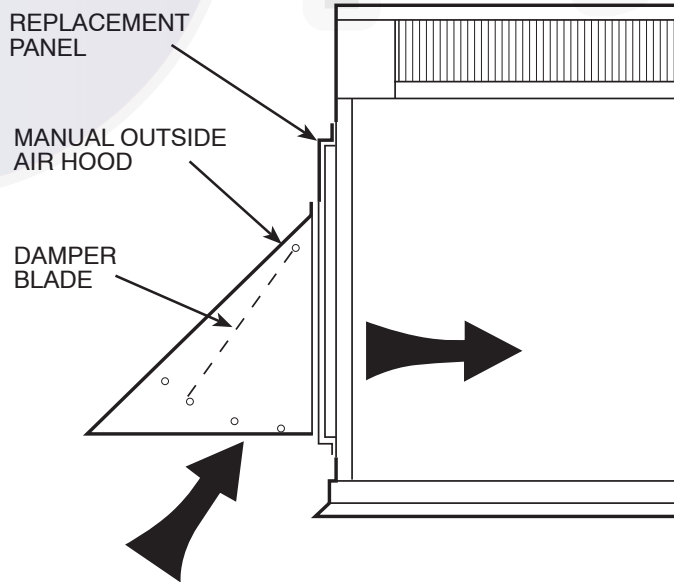
Compressor hard start kit assists compressor start-up by providing additional starting torque on single-phase units and prolongs compressor motor life.

FILTER RACK

50XL



MANUAL OUTSIDE AIR DAMPER



UNIT	ELECTRICAL CHARACTERISTICS	UNIT WT.		UNIT HEIGHT "A"	CENTER OF GRAVITY MM/IN		
		LBS.	KG.		X	Y	Z
50XL024	208/230-1-60	363	164.6	1041.9(41.02)	508(20.0)	489.0(19.3)	447.0(17.6)
50XL030	208/230-1-60	368	166.9	1092.7(43.02)	508(20.0)	355.6(14.0)	330.2(13.0)

	CORNER WEIGHT LBS./KG.			
	A	B	C	D
024	72/32.7	54/24.5	87/39.5	150/68.0
030	73/33.1	55/24.9	88/39.9	152/68.9

REQUIRED CLEARANCES TO COMBUSTIBLE MATL.

TOP OF UNIT..... MILLIMETERS (IN)
 DUCT SIDE OF UNIT..... 355.6 (14.00)
 BOTTOM OF UNIT..... 50.8 (2.00)
 SIDE OF UNIT..... 352.7 (13.90)
 ELECTRIC HEAT PANEL..... 914.4 (36.00)

REQ. REQUIRED CLEARANCES:

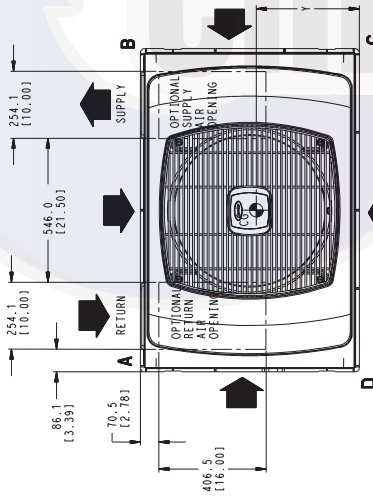
BETWEEN UNITS, POWER ENTRY SIDE..... MILLIMETERS (IN)
 UNIT AND UNGRAUNDED SURFACES, POWER ENTRY SIDE..... 1066.8 (42.00)
 UNIT AND BLOCK OR CONCRETE WALLS AND OTHER
 GRAUNDED SURFACES, POWER ENTRY SIDE..... 914.0 (36.00)

REQUIRED CLEARANCE FOR OPERATION AND SERVICING

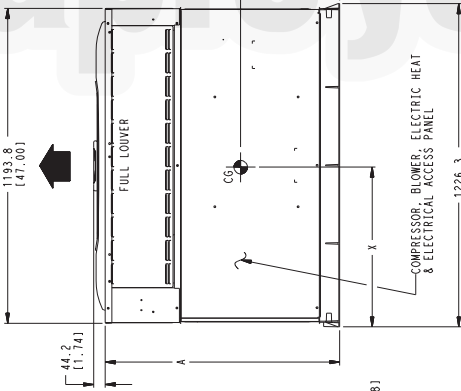
EVAP. COIL ACCESS SIDE..... MILLIMETERS (IN)
 POWER ENTRY SIDE..... 914.0 (36.00)
 UNIT TOP OR REQ. REQUIREMENTS..... 914.0 (36.00)
 UNIT TOP..... 914.0 (36.00)
 SIDE OPPOSITE DUCTS..... 914.0 (36.00)
 DUCT PANEL..... 304.8 (12.00)*

*MINIMUM DISTANCES: IF UNIT IS PLACED LESS THAN 304.8 (12.00) FROM WALL SYSTEM, THEN SYSTEM PERFORMANCE MAY BE COMPROMISED.

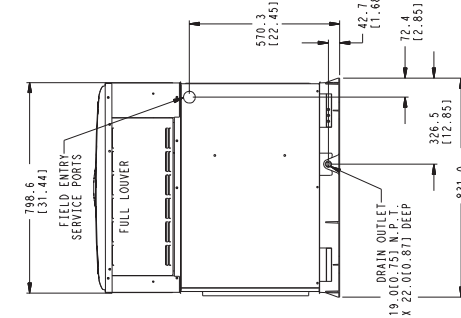
DIMENSIONS IN () ARE IN INCHES



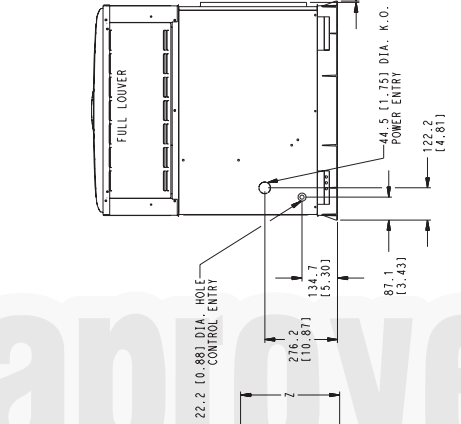
TOP VIEW



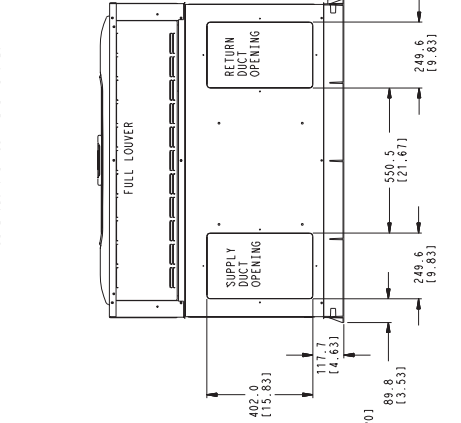
FRONT VIEW



LEFT SIDE VIEW



RIGHT SIDE VIEW



REAR VIEW

Fig. 2 - 50XL024-030 Unit Dimensions

A06596

50XL

50XL

UNIT	ELECTRICAL CHARACTERISTICS	UNIT WT.		UNIT HEIGHT	CENTER OF GRAVITY MM/IN		
		LEB. / KG.	MC.		X	Y	
50XL036	209/230-1-60	447	202.8	1142.5 (44.98)	553.4 (21.0)	520.7 (20.5)	421.6 (16.6)
50XL042	209/230-1-60	459	212.8	1193.3 (46.98)	553.4 (21.0)	520.7 (20.5)	421.6 (16.6)
50XL048	209/230-1-60	475	215.4	1193.3 (46.98)	485.3 (19.5)	539.8 (21.3)	457.2 (18.0)
50XL060	209/230-1-60	526	238.5	1294.3 (50.98)	553.4 (21.0)	508.0 (20.0)	447.0 (17.6)

	CORNER WEIGHT LBS./KG.			
	A	B	C	D
036	89/40.4	67/30.4	107/48.5	183/83.0
042	93/42.2	71/32.2	113/51.3	192/87.1
048	100/45.4	60/27.2	130/59.0	184/83.5
060	112/50.8	72/32.7	143/64.9	199/90.3

REQUIRED CLEARANCES TO COMBUSTIBLE MATL.

TOP OF UNIT.....355.6 (14.00)
 DUCT SIDE OF UNIT.....506.8 (20.00)
 SIDE OF UNIT.....506.8 (20.00)
 BOTTOM OF UNIT.....352.6 (13.90)
 ELECTRIC HEAT PANEL.....914.4 (36.00)

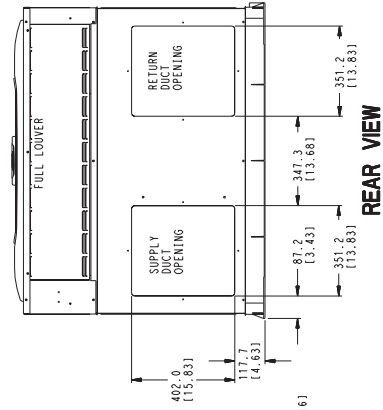
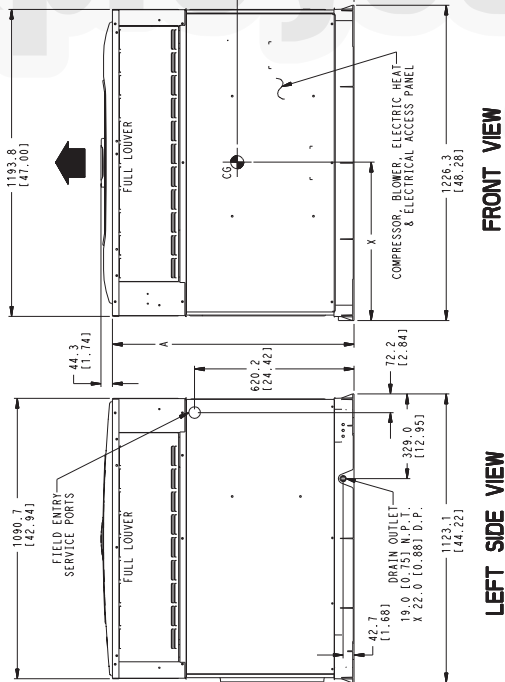
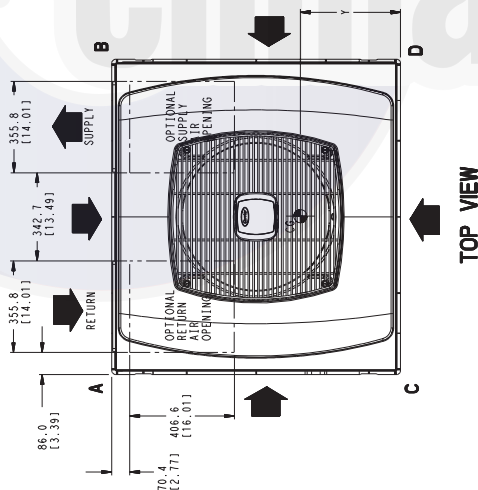
NEC. REQUIRED CLEARANCES.

BETWEEN UNITS, POWER ENTRY SIDE.....1066.8 (42.00)
 UNIT AND UNGROUNDED SURFACES, POWER ENTRY SIDE.....914.0 (36.00)
 UNIT AND BLOCK OR CONCRETE WALLS AND OTHER GROUNDED SURFACES, POWER ENTRY SIDE.....1066.8 (42.00)

REQUIRED CLEARANCE FOR OPERATION AND SERVICING

EVAP. COIL ACCESS SIDE.....914.0 (36.00)
 POWER ENTRY SIDE.....914.0 (36.00)
 (EXCEPT FOR NEC REQUIREMENTS)
 UNIT TOP.....914.0 (36.00)
 SIDE OPPOSITE DUCTS.....914.0 (36.00)
 DUCT PANEL.....304.8 (12.00)*

*MINIMUM DISTANCES: IF UNIT IS PLACED LESS THAN 304.8 (12.00) FROM WALL SYSTEM, THEN SYSTEM PERFORMANCE MAYBE COMPROMISED.

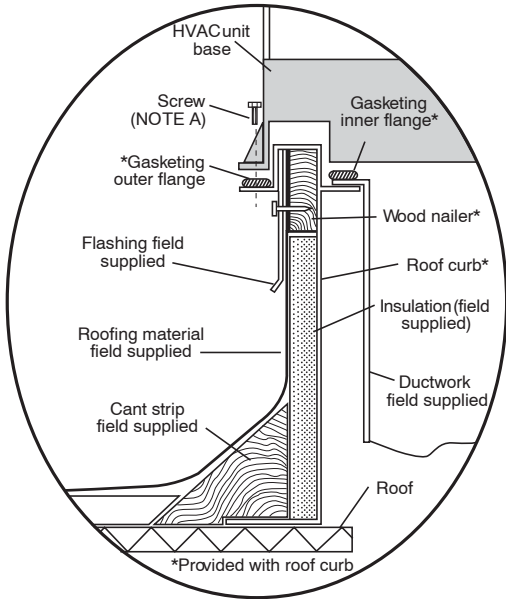


DIMENSIONS IN [] ARE IN INCHES

Fig. 3 - 50XL036-060 Unit Dimensions

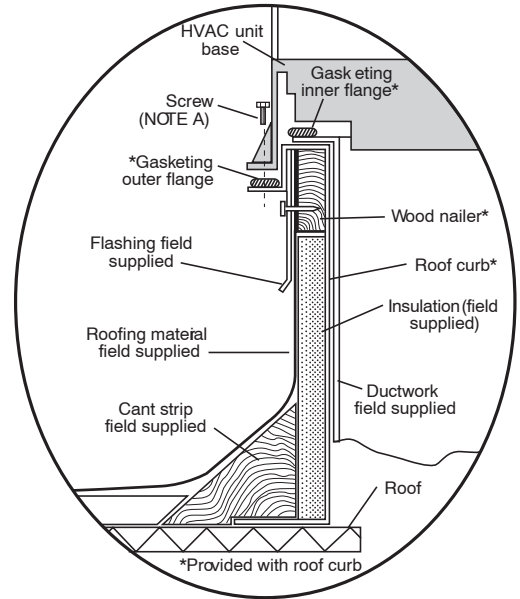
A06597

ACCESSORY DIMENSIONS



Roof Curb for Small Cabinet

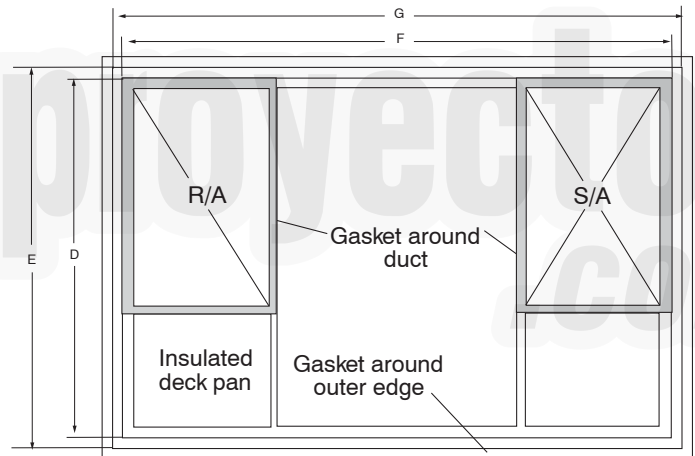
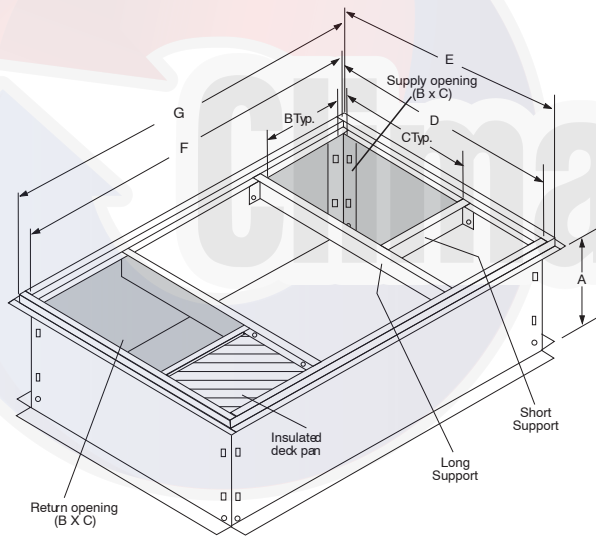
Note A: When unit mounting screw is used, retainer bracket must also be used.



Roof Curb for Large Cabinet

Note A: When unit mounting screw is used, retainer bracket must also be used.

50XL



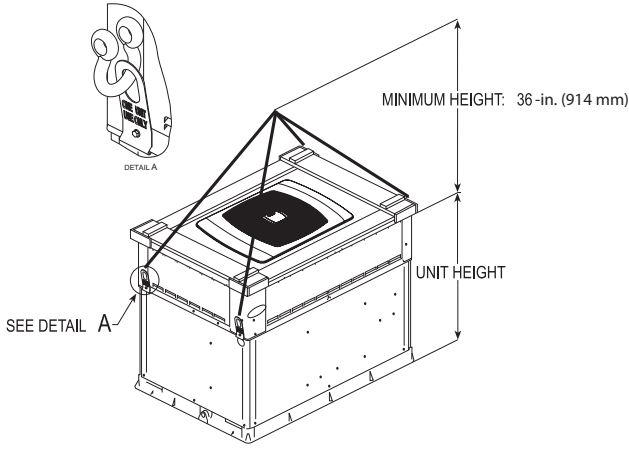
A05308

UNIT SIZE	ODS CATALOG NUMBER	A IN. (MM)	B IN. (MM)	C IN. (MM)	D IN. (MM)	E IN. (MM)	F IN. (MM)	G IN. (MM)
024-030	CPRFCURB006A00	8 (203)	11 (279)	16-1/2 (419)	28-3/4 (730)	30-3/8 (771)	44-5/16 (1126)	45-15/16 (1167)
	CPRFCURB007A00	14 (356)	11 (279)	16-1/2 (419)	28-3/4 (730)	30-3/8 (771)	44-5/16 (1126)	45-15/16 (1167)
036-060	CPRFCURB008A00	8 (203)	16-3/16 (411)	17-3/8 (441)	40-1/4 (1022)	41-15/16 (1065)	44-7/16 (1129)	46-1/16 (1169)
	CPRFCURB009A00	14 (356)	16-3/16 (411)	17-3/8 (441)	40-1/4 (1022)	41-15/16 (1065)	44-7/16 (1129)	46-1/16 (1169)

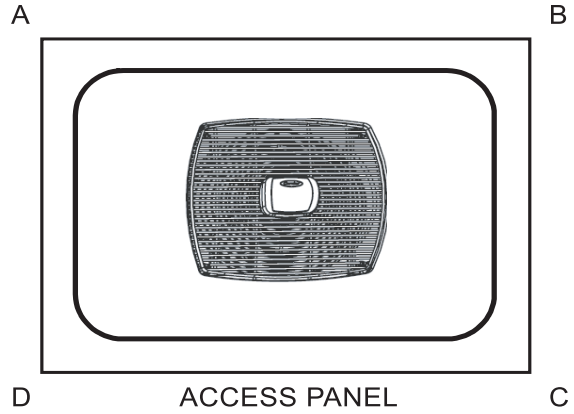
NOTES:

1. Roof curb must be set up for unit being installed.
2. Seal strip must be applied, as required, to unit being installed.
3. Roof curb is made of 16-gauge steel.
4. Attach ductwork to curb (flanges of duct rest on curb).
5. Insulated panels: 1-in. (25 mm) thick fiberglass 1 lb. density.
6. When unit mounting screw is used (see Note A), a retainer bracket must be used as well. This bracket must also be used when required by code for hurricane or seismic conditions. This bracket is available through Micrometl.

50XL RIGGING WEIGHTS



A06298



A06296

CABINET	MODEL	RIGGING WT	
		lb	kg
Small	50XL-024	382	173
	50XL-030	387	176
Large	50XL-036	469	213
	50XL-042	491	223
	50XL-048	497	225
	50XL-060	548	249

NOTE: See dimensional drawing for corner weight distribution. Corner weights shown on drawing are based on unit-only weights and do not include packaging.

Fig. 4 - Suggested Rigging

SELECTION PROCEDURE

Determine cooling and heating requirements at design conditions:

Given:

- REQUIRED COOLING CAPACITY (TC) 34,500 BTUH
- SENSIBLE HEAT CAPACITY (SHC) 24,000 BTUH
- REQUIRED HEATING CAPACITY (SHC) 15,000 BTUH
- CONDENSER ENTERING AIR TEMPERATURE 95°F (35°C)
- INDOOR-AIR TEMPERATURE . . . 80°F (26.6°C) EDB, 67°F (19.4°C) EWB
- EVAPORATOR AIR QUANTITY 1200 CFM
- ELECTRICAL CHARACTERISTICS 230-1-60

Select unit based on required cooling capacity

Enter Net Cooling Capacities table at condenser entering temperature of 95°F (35°C). The 036 unit at 1200 cfm and 67°F (19.4°C) ewb (entering wet bulb) will provide a total capacity of 34,600 Btuh and a SHC of 24,220 Btuh. Calculate SHC correction, if required, using Note 4 under Cooling Capacities tables.

Select electric heat

The required heating capacity is 15,000 Btuh.
Determine additional electric heat capacity in kW.

$$\frac{15,000 \text{ Btuh}}{3414 \text{ Btuh/kW}} = 4.4 \text{ kW of heat required}$$

Enter the Electric Heater table on page 5 for 208/230v, single-phase unit. The 5-kW heater at 240v most closely satisfies the heating required. To calculate kW at 230v, multiply the heater kW by multiplication factor 0.92 found in the Multiplication Factors table on page 17.

$$5 \text{ kW} \times 0.92 = 4.6 \text{ kW}$$

$$4.6 \text{ kW} \times 3414 \text{ Btuh/kW} = 15,704 \text{ Btuh (Total unit heating capacity)}$$

Select unit that corresponds to power source available

The Electrical Data table shows that the unit is designed to operate at 208/230-1-60.

50XL

PERFORMANCE DATA-STANDARD ECM INDOOR MOTOR

Cooling Extended Performance Table

50XL024 High Cool EVAPORATOR AIR		CONDENSER ENTERING AIR TEMPERATURES °F (°C)																	
		75 (23.8)			85 (29.4)			95 (35)			105 (40.5)			115 (46.1)			125 (51.6)		
		Capacity MBtuh	Total System KW	EWB	Capacity MBtuh	Total System KW	EWB	Capacity MBtuh	Total System KW	EWB	Capacity MBtuh	Total System KW	EWB	Capacity MBtuh	Total System KW	EWB	Capacity MBtuh	Total System KW	EWB
700	57 (13.9)	21.77	1.61	20.88	1.79	1.61	19.95	1.95	2.00	18.94	2.23	17.86	17.86	2.48	16.66	16.66	2.77	16.66	2.77
	62 (16.7)	22.40	1.61	21.29	1.80	1.61	20.13	1.70	2.00	18.95	2.23	17.86	17.86	2.48	16.66	16.66	2.77	16.66	2.77
	63* (17.2)	22.85	1.62	21.71	1.80	1.62	20.52	1.42	2.01	19.25	2.23	17.90	13.16	2.48	16.42	12.58	2.77	17.74	13.12
	67 (19.4)	24.66	1.64	23.44	1.83	1.64	22.15	1.47	2.03	20.79	2.26	19.34	13.70	2.51	17.74	13.12	2.79	17.74	13.12
	72 (22.2)	27.16	1.67	25.83	1.86	1.67	24.42	1.80	2.06	22.94	2.29	21.33	10.76	2.54	19.57	10.18	2.83	19.57	10.18
800	57 (13.9)	22.76	1.64	21.81	1.82	1.64	20.81	2.03	2.03	19.74	2.26	18.58	18.58	2.51	17.29	17.29	2.80	17.29	2.80
	62 (16.7)	22.97	1.64	21.84	1.82	1.64	20.81	2.03	2.03	19.74	2.26	18.58	18.58	2.51	17.29	17.29	2.80	17.29	2.80
	63* (17.2)	23.39	1.64	22.19	1.83	1.64	20.94	1.52	2.03	19.62	2.26	18.22	14.14	2.51	16.69	13.54	2.79	16.69	13.54
	67 (19.4)	25.22	1.67	23.94	1.85	1.67	22.60	1.82	2.05	21.18	2.28	19.67	14.74	2.53	18.01	14.14	2.82	18.01	14.14
	72 (22.2)	27.77	1.70	26.37	1.88	1.70	24.90	1.48	2.09	23.35	2.31	21.66	11.41	2.57	20.60	11.05	2.57	20.60	11.05
50XL024 Low Cool EVAPORATOR AIR		CONDENSER ENTERING AIR TEMPERATURES °F (°C)																	
50XL024 Low Cool EVAPORATOR AIR		75 (23.8)			85 (29.4)			95 (35)			105 (40.5)			115 (46.1)			125 (51.6)		
		Capacity MBtuh	Total System KW	EWB	Capacity MBtuh	Total System KW	EWB	Capacity MBtuh	Total System KW	EWB	Capacity MBtuh	Total System KW	EWB	Capacity MBtuh	Total System KW	EWB	Capacity MBtuh	Total System KW	EWB
		Capacity MBtuh	Total System KW	EWB	Capacity MBtuh	Total System KW	EWB	Capacity MBtuh	Total System KW	EWB	Capacity MBtuh	Total System KW	EWB	Capacity MBtuh	Total System KW	EWB	Capacity MBtuh	Total System KW	EWB
525	57 (13.9)	16.65	1.05	15.95	1.20	1.05	15.21	1.37	1.37	14.40	1.57	13.52	13.52	1.80	12.55	12.55	2.07	12.55	2.07
	62 (16.7)	17.20	1.06	16.29	1.21	1.06	15.34	1.37	1.37	14.40	1.57	13.52	13.52	1.80	12.55	12.55	2.07	12.55	2.07
	63* (17.2)	17.61	1.06	16.69	1.21	1.06	15.70	1.38	1.38	14.64	1.57	13.50	10.07	1.80	12.27	9.58	2.06	13.50	10.09
	67 (19.4)	19.23	1.08	18.23	1.22	1.08	17.18	1.47	1.39	16.05	1.58	14.83	10.58	1.81	13.50	10.09	2.07	14.83	10.58
	72 (22.2)	21.48	1.09	20.41	1.24	1.09	19.26	1.41	1.41	18.02	1.60	16.69	8.39	1.83	15.24	7.90	2.09	16.69	8.39
600	57 (13.9)	17.52	1.08	16.77	1.23	1.08	15.96	1.39	1.39	15.10	1.59	14.15	14.15	1.82	13.11	13.11	2.09	14.15	14.15
	62 (16.7)	17.71	1.08	16.78	1.23	1.08	15.96	1.39	1.39	15.10	1.59	14.15	14.15	1.82	13.12	13.12	2.09	14.15	14.15
	63* (17.2)	18.10	1.08	17.12	1.23	1.08	16.09	1.39	1.39	14.98	1.59	13.80	10.85	1.81	12.51	10.95	2.08	13.80	10.85
	67 (19.4)	19.75	1.09	18.71	1.24	1.09	17.60	1.41	1.41	16.41	1.60	15.14	11.41	1.83	13.76	10.91	2.09	15.14	11.41
	72 (22.2)	22.06	1.11	20.93	1.26	1.11	19.72	1.43	1.43	18.41	1.62	17.03	8.91	1.85	15.51	8.41	2.11	17.03	8.91

See page 17 for cooling notes.

50XL

PERFORMANCE DATA-STANDARD ECM INDOOR MOTOR

Cooling Extended Performance Table

EVAPORATOR AIR		CONDENSER ENTERING AIR TEMPERATURES °F (°C)																	
		75 (23.8)			85 (29.4)			95 (35)			105 (40.5)			115 (46.1)			125 (51.6)		
		Capacity MBtuh	Total System KW	Sens	Capacity MBtuh	Total System KW	Sens	Capacity MBtuh	Total System KW	Sens	Capacity MBtuh	Total System KW	Sens	Capacity MBtuh	Total System KW	Sens	Capacity MBtuh	Total System KW	Sens
CFM	EWB °F (°C)	Total	Total	Total	Total	Total	Total	Total	Total	Total	Total	Total	Total	Total	Total	Total	Total	Total	Total
875	57 (13.9)	27.90	27.90	2.05	26.73	26.73	2.27	25.47	25.47	2.52	24.09	24.09	2.79	22.56	22.56	3.10	20.81	20.81	3.44
	62 (16.7)	28.72	23.85	2.06	27.25	23.21	2.28	25.70	22.53	2.52	24.09	24.09	2.79	22.56	22.56	3.10	20.81	20.81	3.44
	63* (17.2)	29.28	19.34	2.07	27.78	18.72	2.29	26.18	18.07	2.53	24.46	17.38	2.80	22.58	16.64	3.10	20.50	15.82	3.43
	67 (19.4)	31.48	19.99	2.10	29.85	19.36	2.32	28.11	18.70	2.56	26.23	18.00	2.83	24.19	17.25	3.13	21.92	16.42	3.47
	72 (22.2)	34.49	16.13	2.14	32.69	15.50	2.36	30.77	14.85	2.61	28.70	14.15	2.88	26.43	13.40	3.18	26.31	13.36	3.19
1000	57 (13.9)	29.10	29.10	2.09	27.84	27.84	2.32	26.48	26.48	2.56	25.00	25.00	2.84	23.34	23.34	3.15	21.47	21.47	3.49
	62 (16.7)	29.40	25.68	2.10	27.90	27.75	2.32	26.48	26.48	2.56	25.00	25.00	2.84	23.34	23.34	3.15	21.47	21.47	3.49
	63* (17.2)	29.91	20.61	2.10	28.33	19.98	2.32	26.66	19.31	2.57	24.86	18.60	2.83	22.90	17.84	3.13	20.75	17.00	3.47
	67 (19.4)	32.13	21.34	2.14	30.42	20.69	2.36	28.60	20.02	2.60	26.64	19.30	2.87	24.51	18.53	3.17	22.47	16.98	3.51
	72 (22.2)	35.18	16.96	2.18	33.29	16.32	2.40	31.27	15.65	2.65	29.11	14.94	2.92	26.76	14.18	3.22	24.19	13.36	3.55
EVAPORATOR AIR		CONDENSER ENTERING AIR TEMPERATURES °F (°C)																	
		75 (23.8)			85 (29.4)			95 (35)			105 (40.5)			115 (46.1)			125 (51.6)		
		Capacity MBtuh	Total System KW	Sens	Capacity MBtuh	Total System KW	Sens	Capacity MBtuh	Total System KW	Sens	Capacity MBtuh	Total System KW	Sens	Capacity MBtuh	Total System KW	Sens	Capacity MBtuh	Total System KW	Sens
CFM	EWB °F (°C)	Total	Total	Total	Total	Total	Total	Total	Total	Total	Total	Total	Total	Total	Total	Total	Total	Total	Total
615	57 (13.9)	20.32	20.32	1.29	19.50	19.50	1.48	18.60	18.60	1.70	17.60	17.60	1.95	16.20	16.20	2.21	15.23	15.23	2.58
	62 (16.7)	21.08	17.65	1.30	20.01	17.18	1.49	18.86	16.67	1.70	17.62	17.58	1.95	16.49	16.49	2.24	15.23	15.23	2.58
	63* (17.2)	21.55	14.40	1.30	20.47	13.94	1.49	19.28	13.44	1.70	17.99	12.90	1.95	16.58	12.33	2.24	15.02	11.71	2.58
	67 (19.4)	23.40	14.96	1.32	22.22	14.49	1.51	20.93	13.99	1.72	19.51	13.44	1.97	17.97	12.85	2.26	16.26	12.24	2.60
	72 (22.2)	25.95	12.26	1.35	24.65	11.79	1.53	23.20	11.28	1.75	21.63	10.73	2.00	19.91	10.14	2.28	18.01	9.51	2.62
700	57 (13.9)	21.32	21.32	1.31	20.44	20.44	1.50	19.46	19.46	1.72	18.38	18.38	1.97	17.17	17.17	2.26	15.82	15.82	2.60
	62 (16.7)	21.67	19.04	1.31	20.56	18.54	1.50	19.46	19.46	1.72	18.38	18.38	1.97	17.17	17.17	2.26	15.82	15.82	2.60
	63* (17.2)	22.13	15.36	1.32	20.98	14.89	1.51	19.74	14.38	1.72	18.38	13.83	1.97	16.90	13.24	2.26	15.28	12.60	2.60
	67 (19.4)	24.00	15.98	1.34	22.76	15.50	1.53	21.40	14.98	1.74	19.91	14.42	1.99	18.29	13.82	2.28	16.52	13.17	2.61
	72 (22.2)	26.61	12.91	1.36	25.22	12.42	1.55	23.71	11.90	1.76	22.06	11.34	2.01	20.25	10.74	2.30	18.28	10.09	2.63

See page 17 for cooling notes.



PERFORMANCE DATA-STANDARD ECM INDOOR MOTOR

Cooling Extended Performance Table

50XL036 High Cool

EVAPORATOR AIR		CONDENSER ENTERING AIR TEMPERATURES °F (°C)																	
		75 (23.8)			85 (29.4)			95 (35)			105 (40.5)			115 (46.1)			125 (51.6)		
		Capacity MBtuh	Total System KW	Sens	Capacity MBtuh	Total System KW	Sens	Capacity MBtuh	Total System KW	Sens	Capacity MBtuh	Total System KW	Sens	Capacity MBtuh	Total System KW	Sens	Capacity MBtuh	Total System KW	Sens
1050	57 (13.9)	33.64	33.64	2.28	32.32	32.32	2.53	30.90	30.90	2.81	29.36	29.36	3.11	27.65	27.65	3.46	25.71	25.71	3.84
	62 (16.7)	34.47	28.72	2.29	32.83	28.00	2.54	31.11	27.24	2.81	29.36	29.36	3.11	27.65	27.65	3.46	25.71	25.71	3.84
	63* (17.2)	35.12	23.25	2.29	33.44	22.56	2.54	31.65	21.83	2.81	29.73	21.07	3.12	27.64	20.25	3.45	25.33	19.95	3.83
	67 (19.4)	37.76	24.04	2.32	35.94	23.34	2.57	34.00	22.61	2.84	31.91	21.83	3.15	29.65	21.00	3.49	27.14	20.10	3.87
	72 (22.2)	42.16	18.41	2.37	40.12	17.73	2.62	37.93	17.01	2.90	35.58	16.24	3.20	33.02	15.43	3.54	30.21	14.53	3.92
1200	57 (13.9)	35.06	35.06	2.32	33.64	33.64	2.58	32.12	32.12	2.85	30.46	30.46	3.16	28.63	28.63	3.50	26.56	26.56	3.89
	62 (16.7)	35.29	30.91	2.33	33.64	33.64	2.58	32.12	32.12	2.85	30.46	30.46	3.16	28.63	28.63	3.50	26.56	26.56	3.89
	63* (17.2)	35.86	24.79	2.33	34.09	24.08	2.58	32.22	23.34	2.85	30.23	22.56	3.15	28.05	21.71	3.49	25.66	20.78	3.87
	67 (19.4)	38.52	25.68	2.36	36.62	24.97	2.61	34.60	24.22	2.88	32.43	23.43	3.19	30.06	22.57	3.53	27.47	21.64	3.90
	72 (22.2)	42.99	19.31	2.41	40.85	18.61	2.66	38.57	17.87	2.93	36.13	17.09	3.24	33.48	16.25	3.58	30.56	15.35	3.96

50XL036 Low Cool

EVAPORATOR AIR		CONDENSER ENTERING AIR TEMPERATURES °F (°C)																	
		75 (23.8)			85 (29.4)			95 (35)			105 (40.5)			115 (46.1)			125 (51.6)		
		Capacity MBtuh	Total System KW	Sens	Capacity MBtuh	Total System KW	Sens	Capacity MBtuh	Total System KW	Sens	Capacity MBtuh	Total System KW	Sens	Capacity MBtuh	Total System KW	Sens	Capacity MBtuh	Total System KW	Sens
745	57 (13.9)	23.27	23.27	1.46	22.34	22.34	1.65	21.31	21.31	1.87	20.19	20.19	2.12	18.95	18.95	2.41	17.58	17.58	2.76
	62 (16.7)	23.91	20.06	1.46	22.70	19.54	1.65	21.41	18.97	1.87	20.19	20.19	2.12	18.95	18.95	2.41	17.58	17.58	2.76
	63* (17.2)	24.46	16.28	1.47	23.21	15.77	1.66	21.87	15.23	1.87	20.42	14.65	2.12	18.85	14.03	2.41	17.14	13.36	2.75
	67 (19.4)	26.63	16.96	1.48	25.29	16.45	1.67	23.85	15.90	1.89	22.28	15.32	2.14	20.58	14.69	2.43	18.72	14.02	2.77
	72 (22.2)	29.67	13.86	1.51	28.20	13.35	1.70	26.61	12.81	1.91	24.89	12.23	2.16	23.01	11.60	2.45	20.96	10.93	2.79
850	57 (13.9)	24.45	24.45	1.48	23.43	23.43	1.67	22.33	22.33	1.89	21.11	21.11	2.14	19.80	19.80	2.44	18.32	18.32	2.78
	62 (16.7)	24.61	21.68	1.48	23.43	23.43	1.67	22.33	22.33	1.89	21.12	21.12	2.14	19.80	19.80	2.44	18.32	18.32	2.78
	63* (17.2)	25.11	17.42	1.49	23.80	16.89	1.68	22.39	16.34	1.89	20.88	15.74	2.14	19.24	15.10	2.43	17.46	14.42	2.77
	67 (19.4)	27.33	18.17	1.50	25.92	17.64	1.69	24.40	17.08	1.91	22.76	16.48	2.15	20.99	15.84	2.44	19.06	15.15	2.78
	72 (22.2)	30.44	14.64	1.53	28.89	14.12	1.71	27.21	13.55	1.93	25.40	12.96	2.17	23.45	12.33	2.46	21.30	11.65	2.80

See page 17 for cooling notes.

50XL

PERFORMANCE DATA-STANDARD ECM INDOOR MOTOR

Cooling Extended Performance Table

50XL042 High Cool

EVAPORATOR AIR		CONDENSER ENTERING AIR TEMPERATURES °F (°C)																	
		75 (23.8)			85 (29.4)			95 (35)			105 (40.5)			115 (46.1)			125 (51.6)		
		Capacity MBtuh	Total System KW	EWB °F (°C)	Capacity MBtuh	Total System KW	EWB °F (°C)	Capacity MBtuh	Total System KW	EWB °F (°C)	Capacity MBtuh	Total System KW	EWB °F (°C)	Capacity MBtuh	Total System KW	EWB °F (°C)	Capacity MBtuh	Total System KW	EWB °F (°C)
1225	57 (13.9)	40.34	40.34	2.76	38.56	38.56	3.03	36.60	36.60	3.32	35.21	35.21	3.58	32.79	32.79	3.93	29.04	29.04	4.37
	62 (16.7)	41.24	37.05	2.77	39.06	36.02	3.04	36.71	36.39	3.33	35.21	35.21	3.57	32.79	32.79	3.93	29.04	29.04	4.37
	63* (17.2)	42.00	29.94	2.78	39.74	28.96	3.05	37.29	27.90	3.34	35.56	27.16	3.58	32.52	25.89	3.92	28.29	24.13	4.35
	67 (19.4)	45.04	30.93	2.84	42.59	29.93	3.10	39.90	28.85	3.39	38.03	28.11	3.63	34.81	26.85	3.98	30.12	25.04	4.40
	72 (22.2)	49.21	24.77	2.91	46.48	23.77	3.17	43.50	22.69	3.46	44.33	22.99	3.52	41.24	21.88	3.87	32.75	18.96	4.47
1400	57 (13.9)	41.96	41.96	2.82	40.04	40.04	3.10	37.92	37.92	3.39	36.46	36.46	3.64	33.86	33.86	4.00	29.82	29.82	4.43
	62 (16.7)	42.17	39.80	2.83	40.04	40.04	3.10	37.92	37.92	3.39	36.46	36.46	3.64	33.86	33.86	4.00	29.82	29.82	4.43
	63* (17.2)	42.81	31.90	2.84	40.45	30.89	3.10	37.88	29.81	3.39	36.05	29.03	3.63	31.99	27.35	4.03	28.59	25.92	4.40
	67 (19.4)	45.87	33.01	2.89	43.30	31.98	3.15	40.50	30.88	3.44	38.65	30.16	3.69	35.36	28.88	4.03	30.38	26.96	4.45
	72 (22.2)	50.09	26.04	2.96	47.23	25.02	3.23	44.13	23.92	3.51	45.09	24.26	3.58	41.83	23.12	3.93	32.98	20.13	4.51

50XL042 Low Cool

EVAPORATOR AIR		CONDENSER ENTERING AIR TEMPERATURES °F (°C)																	
		75 (23.8)			85 (29.4)			95 (35)			105 (40.5)			115 (46.1)			125 (51.6)		
		Capacity MBtuh	Total System KW	EWB °F (°C)	Capacity MBtuh	Total System KW	EWB °F (°C)	Capacity MBtuh	Total System KW	EWB °F (°C)	Capacity MBtuh	Total System KW	EWB °F (°C)	Capacity MBtuh	Total System KW	EWB °F (°C)	Capacity MBtuh	Total System KW	EWB °F (°C)
855	57 (13.9)	28.20	28.20	1.89	27.00	27.00	2.11	25.67	25.67	2.35	24.16	24.16	2.63	22.43	22.43	2.94	20.50	20.50	3.29
	62 (16.7)	28.99	24.09	1.89	27.46	23.43	2.11	26.46	22.99	2.31	24.16	24.16	2.63	22.43	22.43	2.94	20.48	20.48	3.29
	63* (17.2)	29.61	19.56	1.89	28.04	18.92	2.11	26.32	18.23	2.35	24.41	17.47	2.63	22.29	16.64	2.95	19.93	15.73	3.30
	67 (19.4)	32.05	20.31	1.89	30.33	19.65	2.11	28.43	18.94	2.35	26.33	18.16	2.62	23.99	17.30	2.92	21.52	16.42	3.28
	72 (22.2)	35.41	16.51	1.89	33.47	15.84	2.10	31.36	15.12	2.34	31.76	15.26	2.28	26.40	13.49	2.90	24.07	12.74	3.25
975	57 (13.9)	29.53	29.53	1.90	28.23	28.23	2.12	26.78	26.78	2.36	25.14	25.14	2.64	23.27	23.27	2.95	21.29	21.29	3.29
	62 (16.7)	29.77	25.99	1.90	28.23	28.23	2.12	26.78	26.78	2.36	25.14	25.14	2.64	23.27	23.27	2.95	21.29	21.29	3.29
	63* (17.2)	30.34	20.89	1.90	28.69	20.23	2.12	26.88	19.52	2.37	24.87	18.73	2.64	22.66	17.88	2.96	20.20	16.93	3.31
	67 (19.4)	32.81	21.71	1.91	31.00	21.04	2.12	29.00	20.30	2.36	28.00	19.93	2.59	24.36	18.62	2.93	21.97	17.76	3.29
	72 (22.2)	36.21	17.40	1.91	34.17	16.72	2.12	31.95	16.00	2.35	31.03	15.68	2.58	30.23	15.42	2.60	24.42	13.57	3.26

See page 17 for cooling notes.

PERFORMANCE DATA-STANDARD ECM INDOOR MOTOR

Cooling Extended Performance Table

EVAPORATOR AIR		CONDENSER ENTERING AIR TEMPERATURES °F (°C)																	
		75 (23.8)			85 (29.4)			95 (35)			105 (40.5)			115 (46.1)			125 (51.6)		
		Capacity MBtuh	Total System KW	EWB °F (°C)	Capacity MBtuh	Total System KW	EWB °F (°C)	Capacity MBtuh	Total System KW	EWB °F (°C)	Capacity MBtuh	Total System KW	EWB °F (°C)	Capacity MBtuh	Total System KW	EWB °F (°C)	Capacity MBtuh	Total System KW	EWB °F (°C)
1400	57 (13.9)	44.39	3.40	42.70	3.71	40.87	4.05	38.88	4.43	36.67	4.84	34.16	5.30	31.49	6.11	28.88	7.00	26.67	8.00
	62 (16.7)	45.43	3.41	43.33	3.72	41.11	4.05	38.87	4.43	36.67	4.84	34.16	5.30	31.49	6.11	28.87	7.00	26.67	8.00
	63* (17.2)	46.29	3.42	44.11	3.73	41.79	4.06	39.28	4.43	36.54	4.84	33.51	5.29	31.49	6.11	29.00	7.00	26.91	8.00
	67 (19.4)	50.04	3.46	47.71	3.77	45.21	4.11	42.50	4.48	41.00	4.43	36.24	5.34	31.49	6.11	42.50	7.00	28.60	8.00
	72 (22.2)	55.24	3.53	52.68	3.84	49.93	4.18	46.96	4.55	45.43	4.52	40.04	5.41	31.49	6.11	52.68	7.00	32.53	8.00
	57 (13.9)	46.32	3.48	44.10	3.79	42.54	4.13	40.41	4.51	38.04	4.92	36.62	5.41	31.49	6.11	46.32	7.00	38.04	8.00
	62 (16.7)	46.57	3.48	44.43	3.79	42.54	4.13	41.40	4.51	38.04	4.92	36.61	5.41	31.49	6.11	46.57	7.00	38.04	8.00
1600	63* (17.2)	47.25	3.49	44.97	3.80	42.55	4.13	39.95	4.50	37.11	4.91	33.97	5.36	31.49	6.11	47.25	7.00	37.11	8.00
	67 (19.4)	51.07	3.53	48.62	3.84	46.00	4.18	43.19	4.55	40.12	4.96	38.36	5.41	31.49	6.11	51.07	7.00	40.12	8.00
	72 (22.2)	56.36	3.60	53.67	3.91	50.80	4.25	47.69	4.62	44.30	5.03	42.55	5.41	31.49	6.11	56.36	7.00	44.30	8.00

50XL048 Low Cool

EVAPORATOR AIR		CONDENSER ENTERING AIR TEMPERATURES °F (°C)																	
		75 (23.8)			85 (29.4)			95 (35)			105 (40.5)			115 (46.1)			125 (51.6)		
		Capacity MBtuh	Total System KW	EWB °F (°C)	Capacity MBtuh	Total System KW	EWB °F (°C)	Capacity MBtuh	Total System KW	EWB °F (°C)	Capacity MBtuh	Total System KW	EWB °F (°C)	Capacity MBtuh	Total System KW	EWB °F (°C)	Capacity MBtuh	Total System KW	EWB °F (°C)
965	57 (13.9)	31.49	2.22	30.30	2.49	29.02	2.78	27.63	3.12	26.10	3.51	24.40	3.96	21.49	4.84	24.40	5.30	21.49	6.11
	62 (16.7)	32.49	2.21	30.96	2.48	29.34	2.78	27.64	3.12	26.10	3.51	24.40	3.96	21.49	4.84	26.10	5.30	21.49	6.11
	63* (17.2)	33.19	2.21	31.62	2.48	29.95	2.78	28.14	3.12	26.19	3.52	24.04	3.97	21.49	4.84	30.72	5.30	21.49	6.11
	67 (19.4)	36.14	2.21	34.45	2.47	32.65	2.77	30.72	3.10	28.62	3.49	26.31	3.94	21.49	4.84	40.19	5.30	21.49	6.11
	72 (22.2)	40.19	2.21	38.34	2.46	36.37	2.75	34.25	3.08	31.95	3.46	29.40	3.90	21.49	4.84	50.04	5.30	21.49	6.11
	57 (13.9)	33.04	2.24	31.76	2.50	30.39	2.80	28.90	3.13	27.27	3.52	25.45	3.97	21.49	4.84	33.04	5.30	21.49	6.11
	62 (16.7)	33.42	2.23	31.85	2.50	30.39	2.80	28.90	3.13	27.27	3.52	25.45	3.97	21.49	4.84	33.42	5.30	21.49	6.11
1100	63* (17.2)	34.05	2.23	32.40	2.50	30.64	2.80	28.77	3.14	26.73	3.53	24.50	3.99	21.49	4.84	34.05	5.30	21.49	6.11
	67 (19.4)	37.06	2.23	35.29	2.49	33.40	2.78	31.39	3.12	28.62	3.51	26.79	3.95	21.49	4.84	37.06	5.30	21.49	6.11
	72 (22.2)	41.21	2.23	39.26	2.48	37.19	2.77	34.96	3.10	32.54	3.48	29.89	3.92	21.49	4.84	41.21	5.30	21.49	6.11

See page 17 for cooling notes.

50XL

PERFORMANCE DATA-STANDARD ECM INDOOR MOTOR

Cooling Extended Performance Table

EVAPORATOR AIR		CONDENSER ENTERING AIR TEMPERATURES °F (°C)																	
		75 (23.8)			85 (29.4)			95 (35)			105 (40.5)			115 (46.1)			125 (51.6)		
		CFM	EWB °F (°C)	Capacity MBtuh Total	System KW Total	Capacity MBtuh Total	System KW Total	Capacity MBtuh Total	System KW Total	Capacity MBtuh Total	System KW Total	Capacity MBtuh Total	System KW Total	Capacity MBtuh Total	System KW Total	Capacity MBtuh Total	System KW Total		
2000	57 (13.9)	58.24	4.41	4.84	54.80	4.69	52.40	5.23	46.70	46.70	6.40	42.90	42.90	7.02	42.90	7.02			
	62 (16.7)	58.46	4.42	4.84	55.36	4.69	52.73	5.23	46.94	46.94	6.40	43.20	43.20	7.02	43.20	7.02			
	63* (17.2)	59.23	4.42	4.85	55.68	4.83	52.48	5.22	45.80	37.74	6.37	41.56	36.02	6.97	44.37	37.49	7.05		
	67 (19.4)	63.56	4.50	4.92	56.88	4.24	53.8	5.33	48.97	39.21	6.44	44.37	37.49	7.05	44.37	37.49	7.05		
	72 (22.2)	69.55	35.33	4.59	5.02	62.20	32.73	5.48	58.07	31.30	5.99	48.46	28.03	7.15	48.46	28.03	7.15		
	57 (13.9)	56.01	4.29	4.72	51.30	5.19	50.80	5.08	45.20	45.20	6.27	41.70	41.70	6.89	41.70	41.70	6.89		
	62 (16.7)	57.19	4.31	4.73	51.51	48.01	5.19	50.93	47.74	5.08	45.50	45.50	6.27	41.99	41.99	6.89	6.89		
1750	63* (17.2)	58.18	4.32	4.74	52.28	38.20	5.20	51.66	37.95	5.10	41.16	33.59	6.87	41.16	33.59	6.87			
	67 (19.4)	62.48	4.39	4.81	57.00	39.90	5.18	55.71	39.39	5.21	6.34	34.88	6.94	44.00	34.88	6.94			
	72 (22.2)	68.41	33.69	4.48	61.35	31.14	5.37	57.37	29.72	5.88	6.44	48.09	7.04	48.09	26.53	7.04			
	57 (13.9)	39.88	2.70	3.04	36.64	36.64	3.43	34.74	34.74	3.87	29.70	29.70	4.94	29.70	29.70	4.94			
1200	62 (16.7)	40.94	2.69	3.04	36.90	34.14	3.43	34.90	34.90	3.87	30.16	30.16	4.94	30.16	30.16	4.94			
	63* (17.2)	41.76	2.69	3.04	37.61	27.34	3.42	35.23	26.33	3.87	29.69	24.04	4.96	29.69	24.04	4.96			
	67 (19.4)	45.04	2.68	3.02	40.50	28.35	3.40	37.91	27.31	3.84	4.33	25.00	4.90	31.84	25.00	4.90			
	72 (22.2)	49.59	2.68	3.01	44.52	22.56	3.38	41.68	21.55	3.80	4.28	19.21	4.84	34.93	19.21	4.84			
	57 (13.9)	41.69	2.72	3.07	37.90	37.90	3.45	35.45	35.45	3.89	4.38	30.90	4.95	30.90	30.90	4.95			
	62 (16.7)	41.98	2.72	3.07	38.18	38.18	3.45	36.13	36.13	3.89	4.38	31.19	4.95	31.19	31.19	4.95			
	63* (17.2)	42.72	2.72	3.07	38.35	29.24	3.45	35.86	26.21	3.89	4.40	25.87	4.98	30.10	25.87	4.98			
1370	67 (19.4)	46.03	2.72	3.05	41.27	30.36	3.43	38.55	29.32	3.86	4.36	26.93	4.92	32.25	26.93	4.92			
	72 (22.2)	50.62	2.71	3.04	45.37	23.83	3.41	42.32	22.77	3.83	4.31	20.40	4.86	35.34	20.40	4.86			

EVAPORATOR AIR		CONDENSER ENTERING AIR TEMPERATURES °F (°C)																	
		75 (23.8)			85 (29.4)			95 (35)			105 (40.5)			115 (46.1)			125 (51.6)		
		CFM	EWB °F (°C)	Capacity MBtuh Total	System KW Total	Capacity MBtuh Total	System KW Total	Capacity MBtuh Total	System KW Total	Capacity MBtuh Total	System KW Total	Capacity MBtuh Total	System KW Total	Capacity MBtuh Total	System KW Total	Capacity MBtuh Total	System KW Total		
1200	57 (13.9)	39.88	2.70	3.04	36.64	36.64	3.43	34.74	34.74	3.87	29.70	29.70	4.94	29.70	29.70	4.94			
	62 (16.7)	40.94	2.69	3.04	36.90	34.14	3.43	34.90	34.90	3.87	30.16	30.16	4.94	30.16	30.16	4.94			
	63* (17.2)	41.76	2.69	3.04	37.61	27.34	3.42	35.23	26.33	3.87	29.69	24.04	4.96	29.69	24.04	4.96			
	67 (19.4)	45.04	2.68	3.02	40.50	28.35	3.40	37.91	27.31	3.84	4.33	25.00	4.90	31.84	25.00	4.90			
	72 (22.2)	49.59	2.68	3.01	44.52	22.56	3.38	41.68	21.55	3.80	4.28	19.21	4.84	34.93	19.21	4.84			
	57 (13.9)	41.69	2.72	3.07	37.90	37.90	3.45	35.45	35.45	3.89	4.38	30.90	4.95	30.90	30.90	4.95			
	62 (16.7)	41.98	2.72	3.07	38.18	38.18	3.45	36.13	36.13	3.89	4.38	31.19	4.95	31.19	31.19	4.95			
1370	63* (17.2)	42.72	2.72	3.07	38.35	29.24	3.45	35.86	26.21	3.89	4.40	25.87	4.98	30.10	25.87	4.98			
	67 (19.4)	46.03	2.72	3.05	41.27	30.36	3.43	38.55	29.32	3.86	4.36	26.93	4.92	32.25	26.93	4.92			
	72 (22.2)	50.62	2.71	3.04	45.37	23.83	3.41	42.32	22.77	3.83	4.31	20.40	4.86	35.34	20.40	4.86			

See page 17 for cooling notes.

PERFORMANCE DATA (CONT)

Multiplication Factors

Heater kW Rating	Voltage Distribution V/3/60	Multiplication Factor
240	200	.69
	208	.75
	230	.92
	240	1.00

LEGEND

BF— Bypass Factor

edb— Entering Dry-Bulb

Ewb— Entering Wet-Bulb

kW — Total Unit Power Input

ldb— Leaving Dry-Bulb

lwb— Leaving Wet-Bulb

SHC— Sensible Heat Capacity (1000 Btuh)

TC — Total Capacity (1000 Btuh) (net)

*At 75°F (23.8°C) entering dry bulb (Tennessee Valley Authority [TVA] rating conditions); all other at 80°F (26.6°C) entering dry bulb.

COOLING NOTES:

1. Ratings are net; they account for the effects of the evaporator fan motor power and heat.
2. Direct interpolation is permissible. Do not extrapolate.
3. The following formulas may be used:

Example: 15.0 kW (at 240v) heater on 208v
 = 15.0 (.75 mult factor)
 = 11.25 capacity at 208v

Sensible capacity (Btuh)

$$1.10 \times \text{cfm}$$

$$t_{ldb} = t_{edb} -$$

$$t_{lwb} = \text{Wet-bulb temperature corresponding to enthalpy air leaving evaporator coil } (t_{lwb})$$

$$t_{lwb} = \frac{\text{total capacity (Btuh)}}{4.5 \times \text{cfm}}$$

Where: h_{ewb} = Enthalpy of air entering evaporator coil

4. The SHC is based on 80°F (26.6°C) edb temperature of air entering evaporator coil. Below 80°F (26.6°C) edb, subtract (corr factor x cfm) from SHC.

Above 80°F (26.6°C) edb, add (corr factor x cfm) to SHC.

Correction Factor = $1.10 \times (1 + BF) \times (edb + 80)$.

5. Integrated capacity is maximum (instantaneous) capacity less the effect of frost on the outdoor coil and the heat required to defrost it.

50XL

Climaproyectos.com

Wet coil air delivery - low stage

208/230 VOLT											
UNIT SIZE	SYSTEM SETTING	EXTERNAL STATIC PRESSURE (in. wc)									
		0.1	0.2	0.3	0.4	0.5	0.6	0.7	0.8	0.9	1.0
024	COMFORT (Default)	Variable based on Comfort Settings									
	EFFICIENCY	525	525	525	525	525	525	525	525	525	525
	MAX	600	600	600	600	600	600	600	600	600	600
030	COMFORT (Default)	Variable based on Comfort Settings									
	EFFICIENCY	613	613	613	613	613	613	613	613	613	613
	MAX	700	700	700	700	700	700	700	700	700	700
036	COMFORT (Default)	Variable based on Comfort Settings									
	EFFICIENCY	743	743	743	743	743	743	743	743	743	743
	MAX	850	850	850	850	850	850	850	850	850	850
042	COMFORT (Default)	Variable based on Comfort Settings									
	EFFICIENCY	853	853	853	853	853	853	853	853	853	853
	MAX	975	975	975	975	975	975	975	975	975	975
048	COMFORT (Default)	Variable based on Comfort Settings									
	EFFICIENCY	963	963	963	963	963	963	963	963	963	963
	MAX	1100	1100	1100	1100	1100	1100	1100	1100	1100	1100
060	COMFORT (Default)	Variable based on Comfort Settings									
	EFFICIENCY	1200	1200	1200	1200	1200	1200	1200	1200	1200	1200
	MAX	1372	1372	1372	1372	1372	1372	1372	1372	1372	1372

50XL

Wet coil air delivery - high stage

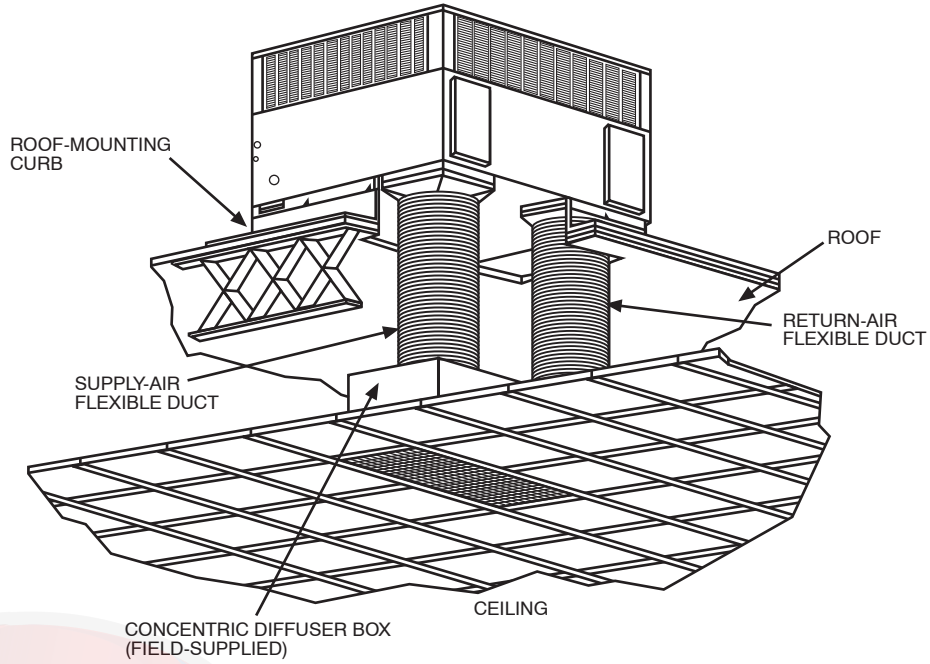
208/230 VOLT											
UNIT SIZE	SYSTEM SETTING	EXTERNAL STATIC PRESSURE (in. wc)									
		0.1	0.2	0.3	0.4	0.5	0.6	0.7	0.8	0.9	1.0
024	COMFORT (Default)	Variable based on Comfort Settings									
	EFFICIENCY	700	700	700	700	700	700	700	700	700	700
	MAX	800	800	800	800	800	800	800	800	800	800
030	COMFORT (Default)	Variable based on Comfort Settings									
	EFFICIENCY	875	875	875	875	875	875	875	875	875	875
	MAX	1000	1000	1000	1000	1000	1000	1000	1000	1000	1000
036	COMFORT (Default)	Variable based on Comfort Settings									
	EFFICIENCY	1050	1050	1050	1050	1050	1050	1050	1050	1050	1050
	MAX	1200	1200	1200	1200	1200	1200	1200	1200	1200	1200
042	COMFORT (Default)	Variable based on Comfort Settings									
	EFFICIENCY	1225	1225	1225	1225	1225	1225	1225	1225	1225	1225
	MAX	1400	1400	1400	1400	1400	1400	1400	1400	1400	1400
048	COMFORT (Default)	Variable based on Comfort Settings									
	EFFICIENCY	1400	1400	1400	1400	1400	1400	1400	1400	1400	1400
	MAX	1600	1600	1600	1600	1600	1600	1600	1600	1600	1600
060	COMFORT (Default)	Variable based on Comfort Settings									
	EFFICIENCY	1750	1750	1750	1750	1750	1750	1750	1750	1750	1750
	MAX	2000	2000	2000	2000	2000	2000	2000	2000	2000	2000

Air delivery values are based on operating voltage of 230v, and wet coil. Filter and electric heater will not change air delivery values.

NOTES:

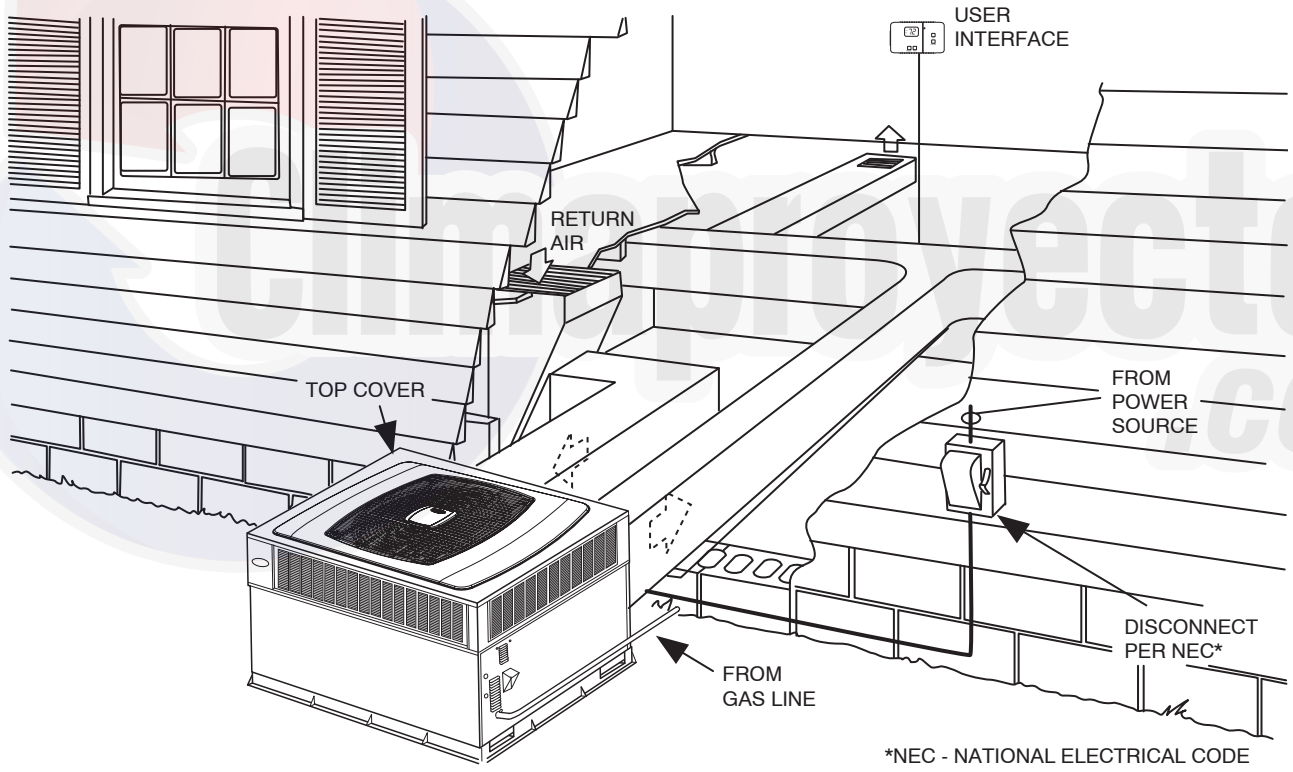
1. See User Interface instructions for more information on Max, Efficiency, and Comfort Settings
2. Efficiency Setting operates at 350 cfm/ton (nominal) and Max Setting operates at 400 cfm/ton (nominal)

TYPICAL PIPING AND WIRING



C00023

50XL

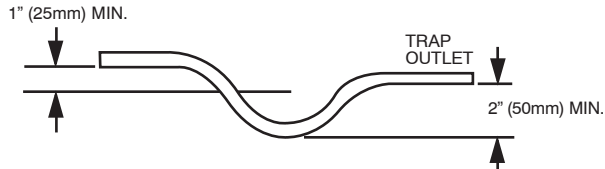


*NEC - NATIONAL ELECTRICAL CODE

A06091

APPLICATION DATA

Condensate trap — A 2-in. (50 mm) condensate trap must be field supplied.



Ductwork — Secure downflow discharge ductwork to roof curb. For horizontal discharge applications, attach ductwork to unit with flanges.

To convert a unit to downflow discharge — Units are equipped with factory-installed inserts in the downflow openings. Remove the inserts similar to removing an electrical knockout. Leave on duct covers to seal the horizontal discharge openings in the unit. Units installed in horizontal discharge orientation do not require duct covers.

Minimum cooling ambient operating temperature — All standard units have a minimum ambient operating temperature of 55°F (12.7°C). With low-ambient cooling enabled at the UI, units can operate at temperatures down to 0°F (-17.7°C).

Maximum operating outdoor air temperature — Maximum outdoor operating air temperature for cooling is 125°F (51.6°C).

ELECTRICAL DATA

UNIT SIZE	V-PH-HZ	VOLTAGE RANGE		COMPRESSOR		OFM FLA	IFM FLA	ELECTRIC HEAT		SINGLE POINT POWER SUPPLY	
		MIN	MAX	RLA	LRA			NOMINAL KW*	FLA	MCA	MOCP
024	208/230-1-60	187	253	10.3	52.0	0.9	4.3	-/-	-/-	18.0/18.0	25/25
								3.8/5.0	18.1/20.8	27.9/31.4	30/35
								5.4/7.2	26.0/30.0	37.9/42.9	40/45
								7.5/10.0	36.1/41.7	50.5/57.5	60/60
030	208/230-1-60	187	253	14.1	70.0	0.9	4.3	-/-	-/-	22.8/22.8	35/35
								3.8/5.0	18.1/20.8	27.9/31.4	35/35
								5.4/7.2	26.0/30.0	37.9/42.9	40/45
								7.5/10.0	36.1/41.7	50.5/57.5	60/60
036	208/230-1-60	187	253	16.7	82.0	0.9	6.8	-/-	-/-	28.5/28.5	45/45
								3.8/5.0	18.1/20.8	31.1/34.5	45/45
								5.4/7.2	26.0/30.0	41.0/46.0	45/50
								7.5/10.0	36.1/41.7	53.6/60.6	60/70
042	208/230-1-60	187	253	16.7	96.0	0.9	6.8	-/-	-/-	28.5/28.5	45/45
								3.8/5.0	18.1/20.8	31.1/34.5	45/45
								5.4/7.2	26.0/30.0	41.0/46.0	45/50
								7.5/10.0	36.1/41.7	53.6/60.6	60/70
048	208/230-1-60	187	253	21.2	96.0	1.5	6.8	-/-	-/-	34.7/34.7	50/50
								3.8/5.0	18.1/20.8	34.7/34.7	50/50
								5.4/7.2	26.0/30.0	41.0/46.0	50/50
								7.5/10.0	36.1/41.7	53.6/60.6	60/70
060	208/230-1-60	187	253	25.6	118.0	1.9	9.1	-/-	-/-	43.1/43.1	60/60
								3.8/5.0	18.1/20.8	43.1/43.1	60/60
								5.4/7.2	26.0/30.0	43.9/48.9	60/60
								7.5/10.0	36.1/41.7	56.5/63.5	60/70
								11.3/15.0	54.2/62.5	79.1/89.5	80/90
								15.0/20.0	72.2/83.3	101.6/115.5	110/125

LEGEND

FLA — Full Load Amps
 LRA — Locked Rotor Amps
 MCA — Minimum Circuit Amps
 MOCP — Maximum Overcurrent Protection
 RLA — Rated Load Amps

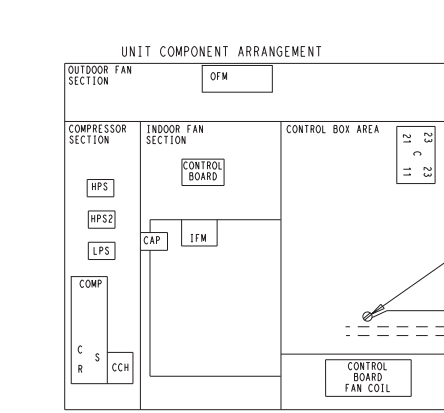
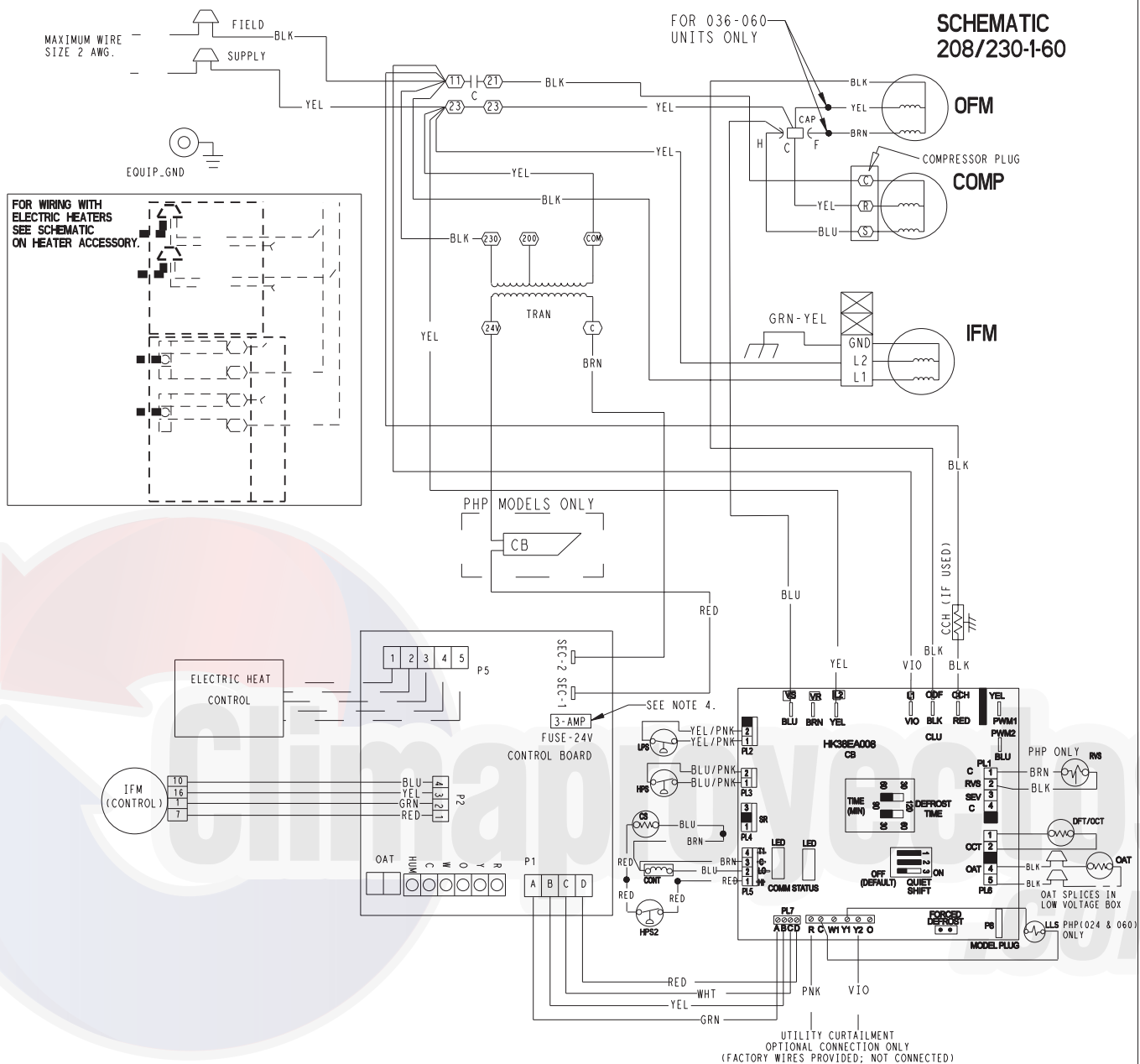


NOTES:

- In compliance with NEC (National Electrical Code) requirements for multimotor and combination load equipment (refer to NEC Articles 430 and 440), the overcurrent protective device for the unit shall be Power Supply fuse. The CGA (Canadian Gas Association) units may be fuse or circuit breaker.
- Minimum wire size is based on 60 C copper wire. If other than 60 C wire is used, or if length exceeds wire length in table, determine size from NEC.

TYPICAL WIRING SCHEMATIC — 230-1-60

**SCHEMATIC
208/230-1-60**



LEGEND

△	FIELD SPLICE	C	CONTACTOR
○	TERMINAL (MARKED)	CAP	CAPACITOR
○	TERMINAL (UNMARKED)	CCH	CRANK CASE HEATER
●	SPLICE	COMP	COMPRESSOR MOTOR
○	SPLICE (MARKED)	CONT	CONTACTOR
---	FACTORY WIRING	GND	GROUND
---	FIELD CONTROL WIRING	HPS	HIGH PRESSURE SWITCH
---	FIELD POWER WIRING	HPS2	HIGH PRESSURE SWITCH
---	ACCESSORY OR OPTIONAL WIRING	IFM	INDOOR FAN MOTOR
		LLS	LIQUID LINE SOLENOID
		LPS	LOW PRESSURE SWITCH
		OFM	OUTDOOR FAN MOTOR
		TRAN	TRANSFORMER

- NOTES:**
1. IF ANY OF THE ORIGINAL WIRES FURNISHED ARE REPLACED, IT MUST BE REPLACED WITH TYPE 90 DEGREE C WIRE OR IT'S EQUIVALENT.
 2. SEE PRICE PAGES FOR USER INTERFACE AND SUBBASES
 3. USE 75 DEGREE COPPER CONDUCTORS FOR FIELD INSTALLATION.
 4. THE INDOOR CONTROL BOARD FUSE IS MANUFACTURED BY LITTLEFUSE. THE PART NUMBER IS 257003.

50DU500093 8.0

50XL

CONTROLS

Sequence of Operation

The packaged air conditioner is designed for installation with a communicating Infinity User Interface. This unit will not respond to commands provided by a common thermostat except under certain emergency situations.

The User Interface uses temperature, humidity and other data supplied from indoor and outdoor system components to control heating or cooling system for optimum comfort. The unit will be commanded by the User Interface to supply airflow. The unit will operate the indoor blower at requested airflow for most modes.

The nominal requested airflow, in high stage, will be 350 cfm per ton of nominal cooling capacity as defined by unit size. Actual airflow request will be adjusted from nominal using indoor and outdoor temperature and indoor humidity data to optimize the system operation for occupant comfort and system efficiency. Refer to User Interface literature for further system control details.

Airflow during electric heater operation must be greater than a minimum level for safe operation. If User Interface instructs unit to turn on electric heat and the requested airflow is less than the minimum level the unit control will override requested value.

With a call for first stage cooling, the outdoor fan and low-stage compressor are energized. If low-stage cannot satisfy cooling demand, high-stage is energized by the User Interface. After second stage is satisfied, the unit returns to low-stage operation until first stage is satisfied or until second stage is required again.

When both first stage and second stage cooling are satisfied, the compressor will shut off.

NOTE: When two-stage unit is operating at low stage, system vapor (suction) pressure will be higher than a standard single-stage system or high-stage operation.

NOTE: Outdoor fan motor will continue to operate for one minute after compressor shuts off, when outdoor ambient is greater than or equal to 100°F (37.7°C).

UTILITY INTERFACE WITH INFINITY CONTROL

The utility curtailment relay should be connected to factory supplied pigtails (PINK connected to R, VIOLET connected to Y2 on the control board) located in the low voltage splice box (see Typical Wiring Schematic). This input allows a power utility device to interrupt compressor operation during peak load periods. When the utility sends a signal to shut the system down, the UI will display “Curtailment Active”.

Infinity Controlled Low Ambient Cooling

NOTE: When this unit is operating below 55°F (12.7°C) outdoor temperature, provisions must be made for low ambient operation. This unit is capable of low ambient cooling down to 0°F (-17.7°C) ONLY when using the Infinity control. A low ambient kit is not required, and the outdoor fan motor does not need to be replaced for Infinity controlled low ambient operation. **Low ambient cooling must be enabled in the UI set-up.** Fan may not begin to cycle until about 40°F (4.4°C) OAT. Fan will cycle based on coil and outdoor air temperature.

50XL

Climaproyectos.com

GUIDE SPECIFICATIONS

SINGLE-PACKAGED ELECTRIC COOLING UNITS CONSTANT VOLUME APPLICATION

HVAC GUIDE SPECIFICATIONS

SIZE RANGE: 2 TO 5 TONS, NOMINAL COOLING

MODEL NUMBER: 50XL

PART I - GENERAL

SYSTEM DESCRIPTION

Outdoor rooftop or ground mounted electric cooling unit utilizing a 2 stage hermetic compressor for cooling duty and optional electric heating. Unit shall discharge supply air vertically or horizontally as shown on contract drawings. Outdoor fan/coil section shall have a draw-thru design with vertical discharge for minimum sound levels.

QUALITY ASSURANCE

- A. Unit shall be rated in accordance with ARI Standards 210/240, and 270.**
- B. Unit shall be designed in accordance with UL Standard 1995.**
- C. Unit shall be manufactured in a facility registered to ISO 9001 manufacturing quality standard**
- D. Unit shall be UL listed and c-UL certified as a total package for safety requirements.**
- E. Roof curb shall be designed to conform to NRCA Standards.**
- F. Insulation and adhesives shall meet NFPA 90A requirements for flame spread and smoke generation.**
- G. Cabinet insulation shall meet ASHRAE Standard 62P.**

DELIVERY, STORAGE, AND HANDLING

Unit shall be stored and handled per manufacturer's recommendations.

PART 2- PRODUCTS

EQUIPMENT

A. General:

Factory-assembled, single-piece, cooling unit. Contained within the unit enclosure shall be all factory wiring, piping, controls, refrigerant charge (R-410A), and special features required prior to field start-up.

B. Unit Cabinet:

1. Unit cabinet shall be constructed of phosphated, zinc-coated, prepainted steel capable of withstanding 500 hrs of salt spray.
2. Normal service shall be through a single removable cabinet panel.
3. The unit shall be constructed on a rust proof unit base that has an externally trapped, integrated sloped drain pan.
4. Indoor fan compartment top surface shall be insulated with a minimum 1/2-in. (13 mm) thick, flexible fiberglass insulation, coated on the air side and retained by adhesive and mechanical means. The indoor wall sections will be insulated with a foil-faced insulation capable of being wiped clean. Aluminum foil-faced fiberglass insulation shall be used in the entire indoor air cavity section.
5. Unit shall have a field-supplied condensate trap.

C. Fans:

1. The indoor fan shall be variable-speed motor and control, as shown on equipment drawings.
2. Fan wheel shall be made from steel, be double-inlet type. It shall have forward-curved blades with a corrosion-resistant finish and shall be dynamically balanced.
3. Outdoor fan shall be of the direct-driven propeller type with aluminum blades, riveted to corrosion-resistant steel spiders. It shall be dynamically balanced and discharge air vertically.

D. Compressor:

1. Fully hermetic 2 stage compressors with factory-installed vibration isolation.
2. Two stage scroll compressors shall be standard on all units.

E. Coils:

1. Indoor and outdoor coils shall have aluminum plate fins mechanically bonded to seamless copper tubes with all joints brazed.
2. Tube sheet openings shall be bellied to prevent tube wear.

F. Refrigerant Metering Device:

Refrigerant metering device shall be of the TXV type.

G. Filters:

Filter section shall consist of field-installed, throw-away, 1-in. thick fiberglass filters of commercially available sizes.

H. Controls and Safeties:

1. Unit controls shall be complete with self-contained low voltage control circuit.
2. Units shall incorporate an internal compressor protector that provides reset capability.
3. Unit shall provide high and low/loss-of-charge pressure safety protection.

I. Operating Characteristics:

1. Unit shall be capable of starting and running at 125°F (51.6°C) ambient outdoor temperature, exceeding maximum load criteria of ARI Standard 210.
2. Compressor with standard controls shall be capable of operation down to 55°F (12.7°C) ambient outdoor temperature.
3. Unit shall be capable of low-ambient cooling (below 55°F (12.7°C) ambient outdoor temperature) with low-ambient cooling enabled on the UI.

J. Electrical Requirements:

All unit power wiring shall enter unit cabinet at a single location.

K. Motors:

1. Compressor motors shall be of the refrigerant-cooled type with line-break thermal and current overload protection.
2. All fan motors shall have permanently lubricated bearings and inherent automatic reset thermal overload protection.
3. Outdoor fan motor shall be totally enclosed.

L. Grille

1. Louvered Grille:
Louvered grille shall be standard on all units.

50XL

GUIDE SPECIFICATIONS (CONT)

M. Special Features:

1. Coil Options:
Shall include factory-installed optional tin-plated indoor copper/copper and vinyl-coated refrigerant coils.
2. Flat Roof Curb:
Curbs shall have seal strip and a wood nailer for flashing and shall be installed per manufacturer's instructions.
3. Manual Outdoor Air Damper:
Package shall consist of damper, bird screen, and rain hood which can be preset to admit outdoor air for year-round ventilation.
4. Infinity™ User Interface (UI):
To provide for two-stage cooling and electric (auxiliary) heat in addition to manual or automatic changeover and indoor fan control.
5. Low-Ambient Cooling:
Low-ambient cooling must be enabled in UI setup to allow unit to operate down to 0°F (-17.7°C) outdoor ambient temperature in cooling.
6. Filter Rack Kit:
Shall provide filter mounting for downflow and horizontal applications.
7. Square-To-Round Duct Transitions:
Shall have the ability to convert the supply and return openings from rectangular to round (024-048 sizes only).
8. Crankcase Heater:
Shall provide anti-floodback protection for low-load cooling applications. (Standard on all sizes.)
9. Electric heaters:
 - a. Electric heater shall be available as a field-installed option.
 - b. Heater elements shall be open-wire type, adequately supported and insulated with ceramic bushings.
 - c. Electric heater packages must provide single-point power connection capability.
10. Compressor Hard Start Kit:
Shall be available to give a boost to the compressor motor at each start-up.

50XL

Climaproyectos
.com