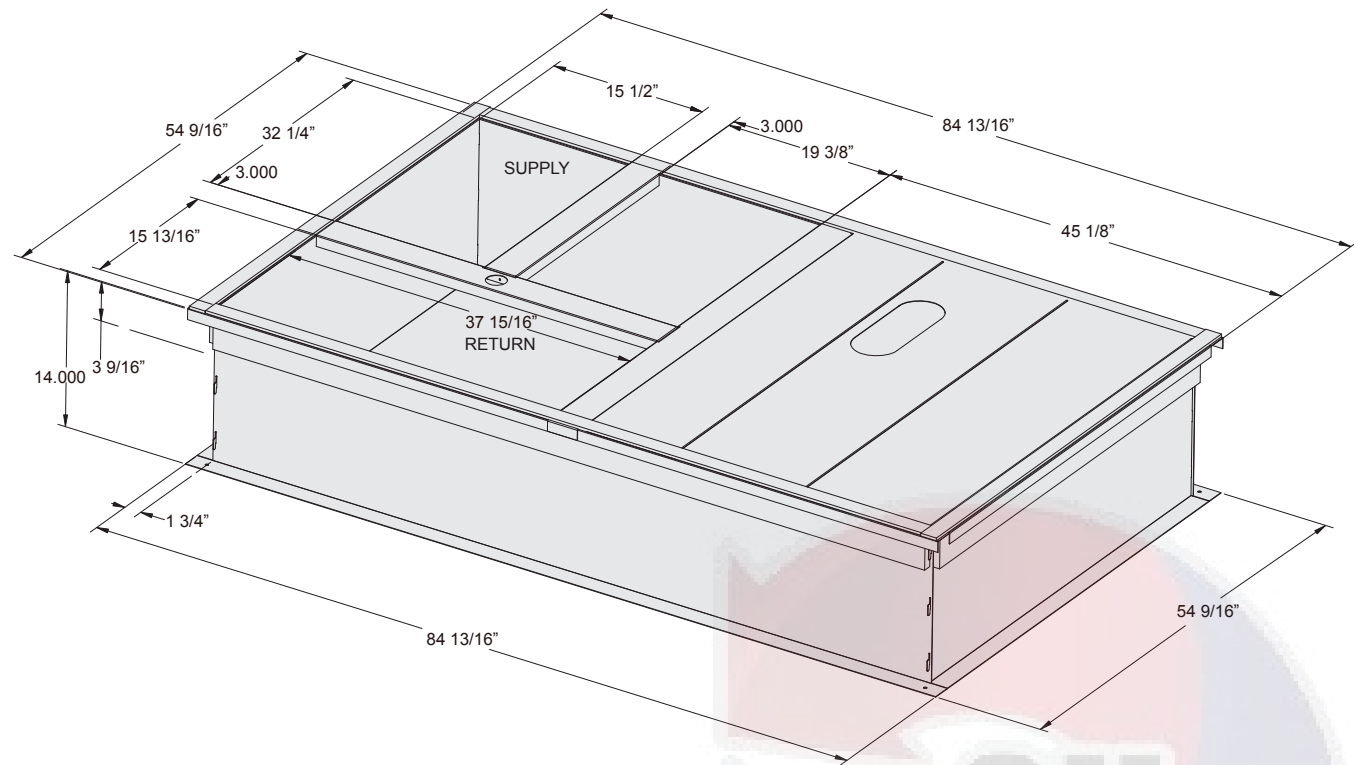
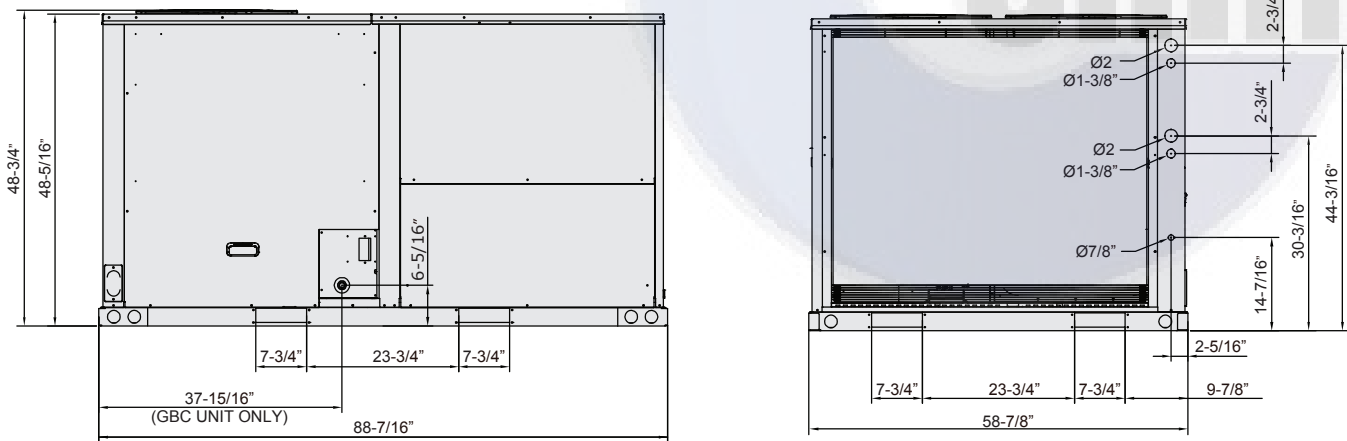


Cooling with optional electric heat and gas/electric models— roof curb (in inches)



Cooling with optional electrical heat and gas/electric units—front and side views (in inches)



Midea Building Technologies Division
Midea Group

Add.: Midea Headquarters Building, 6 Midea Avenue, Shunde, Foshan, Guangdong, China
Postal code: 528311
mbt.midea.com www.midea-group.com
Midea reserves the right to change the specifications of the product, and to withdraw or replace products without prior notification or public announcement. Midea is constantly developing and improving its products.



Packaged Rooftop -BaseFit Series

Cooling and Gas/Electric
7.5 to 12.5 Tons, 220V, 60 Hz

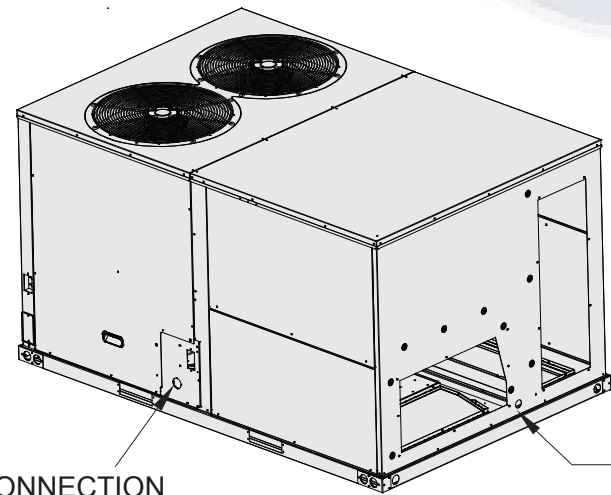


○ Features :

- 1 Cooling system can realize 100%/75%/50%/25% four speed adjustment, saving energy.
- 2 Adopt all DC outdoor fan motor design, can realize 10 speed adjustment, improve system reliability, especially in the low ambient.
- 3 Ambient temp range 40~125°F, super low cooling(ambient temp 0°F) can be customized.
- 4 Meet AHRI &ETL certification, meet UL 60335.
- 5 Can directly replace competitor's same type rooftop package unit.
- 6 Indoor & outdoor top cover plate can realize individual remove, and fixed indoor side is more convenient for maintenance.
- 7 Bottom plate easy to remove, more convenient, no need to do lifting.
- 8 Bottom air discharge convert to side discharge more flexible, no need forklift.
- 9 Gas pipe maintenance is more flexible, can directly move out follow the guide rail.
- 10 All series adopt 4pcs 20*20*2 filter, more convenience.



Cooling with optional electrical heat and gas/electric units—overview



GAS CONNECTION INSIDE

CONDENSATE DRAIN CONNECTION

Generaldata— 7.5–12.5tons—220volts

	7.5Ton	8.5Ton	10Ton	12.5Ton	
Model name	MRB-75CWN1X-C MRB-75HG125WN1X-C MRB-75HG180WN1X-C MRB-75HG225WN1X-C	MRB-85CWN1X-C MRB-85HG125WN1X-C MRB-85HG180WN1X-C MRB-85HG225WN1X-C	MRB-100CWN1X-C MRB-100HG180WN1X-C MRB-100HG225WN1X-C MRB-100HG250WN1X-C	MRB-125CWN1X-C MRB-125HG180WN1X-C MRB-125HG225WN1X-C MRB-125HG250WN1X-C	
Power supply (V/Ph/Hz)	208~230/3/60	208~230/3/60	208~230/3/60	208~230/3/60	
Cooling Performance (a)	Gross Cooling Capacity	90000	102000	120000	150000
	EER(Downflow/Horizontal)	11.2	11.2	11.2	11.0
	Nominal Airflow CFM / AHRI Rated CFM	3200/3000	3700/3000	3700/3200	4600/4000
	AHRI Net Cooling Capacity	86000	104000	140100	140000
	Integrated Energy Efficiency Ratio (IEER)	14.8	14.8	14.8	14.2
	Percent Capacity @ partload (Stage1/Stage2)	58/100	47/100	44/100	32/100
	System Power (kW)	7.68	9.29	10.18	12.73
Compressor	Type	Scrolls	Scrolls	Scrolls	Scrolls
	Number	2	2	2	2
Sound	Outdoor Sound Rating(BELS)	8.2	8.2	8.2	8.7
Outdoor Coil	Type	Microchannel	Microchannel	Microchannel	Microchannel
	Type	Microchannel	Microchannel	Microchannel	Microchannel
Indoor Coil	Tube Size (in.) ID	0.98	0.98	1.57	1.57
	Refrigerant Control	EXV	EXV	EXV	EXV
	Type	Propeller	Propeller	Propeller	Propeller
Outdoor Fan	Drive Type/No.Speeds	Direct/10	Direct/10	Direct/10	Direct/10
	CFM	8400	8300	8300	10000
	Type	FC Centrifugal	FC Centrifugal	FC Centrifugal	FC Centrifugal
Indoor Fan	Drive Type/No.Speeds	Belt/1	Belt/1	Belt/1	Belt/1
	Number Motors	1	1	1	1
Filters	Type Furnished	Throwaway	Throwaway	Throwaway	Throwaway
	Number Size Recommended	(4) 20*20*2	(4) 20*20*2	(4) 20*20*2	(4) 20*20*2
Refrigerant Charge	Circuit A(lbs)	3.97	4.85	5.29	7.50
	Circuit B(lbs)	3.53	4.41	5.07	5.73
Net Weight(lbs)	904/ 979/ 1001/ 1012	928/ 1003/ 1025/ 1036	948/ 1047/ 1058/ 1058	1049/ 1149/ 1160/ 1160	
Gross Weight(lbs)	979/ 1053/ 1076/ 1087	1003/ 1077/ 1100/ 1111	1023/ 1122/ 1133/ 1133	1124/ 1224/ 1235/ 1235	
Net Dimensions W×H×D (in.)	88 1/4**49 1/16**59 1/2"	88 1/4**49 1/16**59 1/2"	88 1/4**49 1/16**59 1/2"	88 1/4**49 1/16**59 1/2"	
Packed Dimensions W×H×D (in.)	89 1/2**49 5/8**59 13/16"	89 1/2**49 5/8**59 13/16"	89 1/2**49 5/8**59 13/16"	89 1/2**49 5/8**59 13/16"	

(a) Units are AHRI Certified to AHRI Standard 340-360(I-P). Rating conditions are 95°F outdoor air temperature, 80°F entering dry bulb, 67°F entering wet bulb with minimum external static pressure as determined by rating standard.
 (b) Refrigerant charge is an approximate value. For a more precise value, see unit nameplate and service instructions.