

**25HCD4  
Comfort™ 14 Heat Pump  
with Puron® Refrigerant  
1–1/2 to 5 Nominal Tons**



## Product Data



**Comfort**  
SERIES

Carrier heat pumps with Puron® refrigerant provide a collection of features unmatched by any other family of equipment. The 25HCD4 has been designed utilizing Carrier's Puron refrigerant. The environmentally sound refrigerant allows consumers to make a responsible decision in the protection of the earth's ozone layer.

**NOTE: Ratings contained in this document are subject to change at any time. Always refer to the AHRI directory ([www.ahridirectory.org](http://www.ahridirectory.org)) for the most up-to-date ratings information.**

### INDUSTRY LEADING FEATURES / BENEFITS

#### Efficiency

- 14 SEER
- Microtube Technology™ refrigeration system
- Indoor air quality accessories available

#### Sound

- Sound level as low as 69 dBA
- Sound levels as low as 68 dBA with accessory sound blanket

#### Comfort

- System supports Edge® Thermidistat™ or standard thermostat controls

#### Reliability

- Puron® refrigerant - environmentally sound, won't deplete the ozone layer and low lifetime service cost.
- Scroll compressor
- Internal pressure relief valve
- Internal thermal overload
- High pressure switch
- Loss of charge switch
- Filter drier
- Balanced refrigeration system for maximum reliability

#### Durability

WeatherArmor™ protection package:

- Solid, durable sheet metal construction
- Dense wire coil guard
- Baked-on powder paint

#### Applications

- Long-line - up to 250 feet (76.20 m) total equivalent length, up to 200 feet (60.96 m) condenser above evaporator, or up to 80 ft. (24.38 m) evaporator above condenser (See Longline Guide for more information.)
- Low ambient (down to -20°F/-28.9°C) with accessory kit

## MODEL NUMBER NOMENCLATURE

1	2	3	4	5	6	7	8	9	10	11	12	13
N	N	A	A	A/N	N	N	N	A/N	A/N	A/N	N	N
2	5	H	C	D	4	3	6	A	0	0	3	0
Product Series	Product Family	Tier	Major Series	SEER	Cooling Capacity	Grille Variations	Open	Open	Voltage	Minor Series		
25 = HP	H = RES HP	C=Comfort	D = Puron	4=14 SEER		A=Dense Grille	0=Not Defined	0=Not Defined	3=208/230-1	0, 1, 2...		



Use of the AHRI Certified TM Mark indicates a manufacturer's participation in the program. For verification of certification for individual products, go to [www.ahridirectory.org](http://www.ahridirectory.org).



25HCD4

## STANDARD FEATURES

Feature	18	24	30	36	42	48	60
Puron Refrigerant	X	X	X	X	X	X	X
Scroll Compressor	X	X	X	X	X	X	X
Field Installed Filter Drier	X	X	X	X	X	X	X
Front Seating Service Valves	X	X	X	X	X	X	X
Internal Pressure Relief Valve	X	X	X	X	X	X	X
Internal Thermal Overload	X	X	X	X	X	X	X
Long Line capability	X	X	X	X	X	X	X
Low Ambient capability with Kit	X	X	X	X	X	X	X
Suction Line Accumulator	X	X	X	X	X	X	X
High Pressure Switch	X	X	X	X	X	X	X
Loss of Charge Switch	X	X	X	X	X	X	X

X = Standard

## PHYSICAL DATA

UNIT SIZE SERIES	18-30	24-30	30-30	36-31	42-30	48-30	60-30
Operating Weight (lb.)	138	162	186	189	225	240	250
Shipping Weight (lb.)	159	189	215	218	250	273	282
Compressor Type	Scroll						
REFRIGERANT	Puron® (R-410A)						
Outdoor Heating Piston #	42	42	55	57	65	70	76
Charge (lb.)	5.3	6.75	7.5	7.6	8.9	10.5	11.0
COND FAN	Propeller Type, Direct Drive						
Air Discharge	Vertical						
Air Qty (CFM)	1700	2614	2614	3365	2614	3365	4046
Motor HP	1/12	1/10	1/10	1/4	1/10	1/4	1/4
Motor RPM	1100	1100	1100	1100	1100	1100	800
COND COIL							
Face Area (Sq. ft.)	12.6	15.1	21.6	21.6	15.1	17.1	17.6
Fins per In.	25	20	20	20	20	20	20
Rows	1	1	1	1	2	2	2
Circuits	5	5	5	6	6	7	8
VALVE CONNECT. (In. ID)							
Vapor	5/8	5/8	3/4	7/8	7/8	7/8	7/8
Liquid	3/8						
REFRIGERANT TUBES* (In. OD)							
Rated Vapor*	5/8	5/8	3/4	7/8	7/8	7/8	1-1/8
Liquid	3/8						

\*Units are rated with 25 ft (7.6 m) of lineset length. See Vapor Line Sizing and Cooling Capacity Loss table when using other sizes and lengths of lineset.

Note: See unit Installation Instruction for proper installation.

25HCD4

## VAPOR LINE SIZING AND COOLING CAPACITY LOSS

Acceptable vapor line diameters provide adequate oil return to the compressor while avoiding excessive capacity loss. The suction line diameters shown in the chart below are acceptable for HP systems with Puron refrigerant:

Vapor Line Sizing and Cooling Capacity Losses - Puron® Refrigerant 1- Stage Heat Pump Applications

Unit Nominal Size (Btuh)	Maximum Liquid Line Diameters (In. OD)	Vapor Line Diameters (In.) OD	Cooling Capacity Loss (%) Total Equivalent Line Length ft. (m)								
			Standard Application		Long Line Application Requires Accessories						
			26-50 (7.9-15.2)	51-80 (15.5-24.4)	81-100 (24.7-30.5)	101-125 (30.8-38.1)	126-150 (38.4-45.7)	151-175 (46.0-50.3)	176-200 (53.6-60.0)	201-225 (61.3-68.6)	226-250 (68.9-76.2)
18,000 1-Stage HP with Puron	3/8	1/2	1	2	3	4	6	7	8	9	10
		5/8	0	0	1	1	1	2	2	3	3
24,000 1-Stage HP with Puron	3/8	5/8	0	1	1	2	3	3	4	4	5
		3/4	0	0	0	0	1	1	1	1	1
30,000 1-Stage HP with Puron	3/8	5/8	1	2	3	3	4	5	6	7	8
		3/4	0	0	1	1	1	2	2	2	3
		7/8	0	0	0	0	1	1	1	1	1
36,000 1-Stage HP with Puron	3/8	5/8	1	2	4	5	6	7	9	10	11
		3/4	0	0	1	1	2	2	3	3	4
		7/8	0	0	0	0	1	1	1	1	2
42,000 1-Stage HP with Puron	3/8	3/4	0	1	2	2	3	4	4	5	6
		7/8	0	0	1	1	1	2	2	2	3
48,000 1-Stage HP with Puron	3/8	3/4	0	1	2	3	4	5	5	6	7
		7/8	0	0	1	1	2	2	2	3	3
60,000 1-Stage HP with Puron	3/8	3/4	1	2	4	5	6	7	9	10	11
		7/8	0	1	2	2	3	4	4	5	5
		1-1/8	0	0	0	1	1	1	1	1	1

Standard Length = 80 ft. (24.4 m) or less total equivalent length

Applications in this area are long line. Accessories are required as shown recommended on Long Line Application Guidelines

Applications in this area may have height restrictions that limit allowable total equivalent length, when outdoor unit is below indoor unit. See Long Line Application Guidelines

# REFRIGERANT PIPING LENGTH LIMITATIONS

## Maximum Line Lengths:

The maximum allowable total equivalent length for heat pumps varies depending on the vertical separation. See the tables below for allowable lengths depending on whether the outdoor unit is on the same level, above or below the indoor unit.

### Maximum Line Lengths for Heat Pump Applications

	MAXIMUM ACTUAL LENGTH ft (m)	MAXIMUM EQUIVALENT LENGTH† ft (m)	MAXIMUM VERTICAL SEPARATION ft (m)
Units on equal level	200 (61)	250 (76.2)	N/A
Outdoor unit ABOVE indoor unit	200 (61)	250 (76.2)	200 (61)
Outdoor unit BELOW indoor unit	See Table 'Maximum Total Equivalent Length: Outdoor Unit BELOW Indoor Unit'		

† Total equivalent length accounts for losses due to elbows or fitting. See the Long Line Guideline for details.

### Maximum Total Equivalent Length† - Outdoor Unit BELOW Indoor Unit

Size	Liquid Line Diameter w/ TXV	HP with Puron® Refrigerant – Maximum Total Equivalent Length† Vertical Separation ft (m) Outdoor unit BELOW indoor unit;						
		0–20 (0 – 6.1)	21–30 (6.4 – 9.1)	31–40 (9.4 – 12.2)	41–50 (12.5 – 15.2)	51–60 (15.5 – 18.3)	61–70 (18.6 – 21.3)	71–80 (21.6 – 24.4)
18000 HP with Puron	3/8	250*	250*	250*	250*	250*	250*	250*
24000 HP with Puron	3/8	250*	250*	250*	250*	250*	250*	250*
30000 HP with Puron	3/8	250*	250*	250*	250*	250*	250*	250*
36000 HP with Puron	3/8	250*	250*	250*	250*	250*	250*	250*
42000 HP with Puron	3/8	250*	250*	250*	250*	250*	250*	150
48000 HP with Puron	3/8	250*	250*	250*	250*	230	160	--
60000 HP with Puron	3/8	250*	225*	190	150	110	--	--

\* Maximum actual length not to exceed 200 ft (61 m)

† Total equivalent length accounts for losses due to elbows or fitting. See the Long Line Guideline for details.

-- = outside acceptable range

## LONG LINE APPLICATIONS

An application is considered Long Line when the refrigerant level in the system requires the use of accessories to maintain acceptable refrigerant management for systems reliability. Defining a system as long line depends on the liquid line diameter, actual length of the tubing, and vertical separation between the indoor and outdoor units.

For Heat Pump systems, the chart below shows when an application is considered Long Line. Beyond these lengths, long line accessories are required:

### HP WITH PURON® REFRIGERANT LONG LINE DESCRIPTION ft (m) Beyond these lengths, long line accessories are required

Liquid Line Size	Units On Same Level	Outdoor Below Indoor	Outdoor Above Indoor
3/8	80 (24.4)	20 (6.1) vertical or 80 (24.4) total	80 (24.4)

Note: See Long Line Guideline for details

## ACCESSORIES

ORDER NUMBER	DESCRIPTION	18-30	24-30	30-30	36-31	42-30	48-30	60-30
HC32GE234	MOTOR,FAN	X						
HC34GE240	MOTOR,FAN		X	X		X		
HC38GE219	MOTOR,FAN				X			
HC40GE228	MOTOR,FAN						X	X
KAACH1601AAA	CRKC HTR KIT					X	X	
KAACH1701AAA	CRKC HTR KIT	X	X	X	X			S
KAACS0201PTC	KIT PTC	X	X	X	X	X	X	X
KAFT0101AAA	FRZ THERM KIT	X	X	X	X	X	X	X
KAATD0101TDR	TIME DELAY KIT	X	X	X	X	X	X	X
KHAIR0101AAA	ISLN RELAY KIT	X	X	X	X	X	X	X
KHALS0401LLS	SOL VALVE KIT	X	X	X	X	X	X	X
KHAOT0201SEC	OUTDR THERM KIT	X	X	X	X	X	X	X
KHAOT0301FST	OUTDR THERM KIT	X	X	X	X	X	X	X
KHASS0606MPK*	SNOW STAND KIT	X	X	X	X	X	X	X
KSACY0101AAA	CYCLE PROTR KIT	X	X	X	X	X	X	X
KSAS1701AAA	HARD START KIT	X	X	X	X	X	X	X
KSALA0301410	LOW AMBIENT KIT	X	X	X	X	X	X	X
KSALA0601AAA†	MOTORMASTER KIT	X	X	X	X	X	X	X
KSASF0101AAA	SPRT FEET KIT	X	X	X	X	X	X	X
KSASH0601COP	SOUND BLKT KIT	X	X	X	X	X		
KSASH2101COP	SOUND BLKT KIT						X	X
KSATX0201PUR	TXV KIT	X	X	X				
KSATX0301PUR	TXV KIT				X	X		
KSATX0501PUR	TXV KIT						X	X

x = Accessory S = Standard

\* Available through RCD

† Required accessories include ball bearing fan motor, compressor start assist (CAP / Relay), crankcase heater, evaporator freeze stat, isolation relay, hard shut-off TXV or liquid line solenoid valve.

25HCD4

## ACCESSORY THERMOSTATS

Part Number	Description	Capabilities			Heat Stages	Cooling Stages
		Gas	Electric	Heat Pump		
TP-PRH01-A	edge™ Programmable Relative Humidity Thermostat	X	X	X	3	2
TP-PHP01	edge™ Programmable Thermostat (HP or AC)		X	X	3	2
TP-NRH01	edge™ Non-Programmable Relative Humidity Thermostat	X	X	X	3	2
TP-NHP01	edge™ Non-Programmable Thermostat (HP or AC)		X	X	3	2
TC-PHP01	Programmable Thermostat (HP or AC)		X	X	3	2
TC-NHP01	Non-Programmable Thermostat (HP or AC)		X	X	3	2
TB-PHP01	Programmable Thermostat (HP or AC)		X	X	2	1
TB-NHP01	Non-Programmable Thermostat (HP or AC)		X	X	2	1

### Thermostat Accessories

Part Number	Description	Used With
TP-EXP	edge™ EXP® Card for Programmable Thermostats	TP-Pxx
TSTATXXCNV10‡	Thermostat Conversion Kit (4 to 5 wire) 10 pack	All Carrier® branded thermostats
TX-LBP01	Large Decorative Backplate	TP-Pxx, TP-Nxx, TC-Pxx
TX-MBP01	Medium Decorative Backplate	TC-Nxx, TB-Pxx
TX-SBP01	Small Decorative Backplate	TB-Nxx

## ACCESSORY USAGE GUIDELINE

Accessory	REQUIRED FOR LOW-AMBIENT COOLING APPLICATIONS (Below 55°F / 12.8°C)	REQUIRED FOR LONG LINE APPLICATIONS*	REQUIRED FOR SEA COAST APPLICATIONS (Within 2 miles / 3.22 km)
Accumulator	Standard	Standard	Standard
Ball Bearing Fan Motor	Yes†	No	No
Compressor Start Assist Capacitor and Relay	Yes	Yes	No
Crankcase Heater	Yes	Yes	No
Evaporator Freeze Thermostat	Yes	No	No
Hard Shutoff TXV	Yes	Yes	Yes
Isolation Relay	Yes	No	No
Liquid Line Solenoid Valve	No	See Long-Line Application Guideline	No
MotorMaster® Control or Low Ambient Switch	Yes	No	No
Support Feet	Recommended	No	Recommended

\* For tubing line sets between 80 and 200 ft. (24.38 and 60.96 m) and/or 20 ft. (6.09 m) vertical differential, refer to Residential Split-System Longline Application Guideline.

† Additional requirement for Low-Ambient Controller (full modulation feature) MotorMaster® Control.

### Accessory Description and Usage (Listed Alphabetically)

#### 1. Ball-Bearing Fan Motor

A fan motor with ball bearings which permits speed reduction while maintaining bearing lubrication.

Usage Guideline:

Required on all units when using MotorMaster®

#### 2. Compressor Start Assist - Capacitor and Relay

Start capacitor and relay gives a hard boost to compressor motor at each start up.

Usage Guideline:

Required for reciprocating compressors in the following applications:

- Long line
- Low ambient cooling
- Hard shut off expansion valve on indoor coil
- Liquid line solenoid on indoor coil

Required for single-phase scroll compressors in the following applications:

- Long line
- Low ambient cooling

Suggested for all compressors in areas with a history of low voltage problems.

#### 3. Compressor Start Assist — PTC Type

Solid state electrical device which gives a soft boost to the compressor at each start-up.

Usage Guideline:

Suggested in installations with marginal power supply.

#### 4. Crankcase Heater

An electric resistance heater which mounts to the base of the compressor to keep the lubricant warm during off cycles. Improves compressor lubrication on restart and minimizes the chance of liquid slugging.

Usage Guideline:

- Required in low ambient cooling applications.
- Required in long line applications.
- Suggested in all commercial applications.

#### 5. Evaporator Freeze Thermostat

An SPST temperature-actuated switch that stops unit operation when evaporator reaches freeze-up conditions.

Usage Guideline:

Required when low ambient kit has been added.

#### 6. Isolation Relay

An SPDT relay which switches the low-ambient controller out of the outdoor fan motor circuit when the heat pump switches to heating mode.

Usage Guideline:

Required in all heat pumps where low ambient kit has been added.

#### 7. Liquid-Line Solenoid Valve (LLS)

An electrically operated shutoff valve which stops and starts refrigerant liquid flow in response to compressor operation. It is to be installed at the outdoor unit to control refrigerant off cycle migration in the heating mode.

Usage Guideline:

An LLS is required in all long line heat pump applications to control refrigerant off cycle migration in the heating mode. See Long Line Guideline.

#### 8. Low-Ambient Pressure Switch Kit

A long life pressure switch which is mounted to outdoor unit service valve. It is designed to cycle the outdoor fan motor in order to maintain head pressure within normal operating limits. The control will maintain working head pressure at low-ambient temperatures down to 0°F (-18°C) when properly installed.

Usage Guideline:

A Low-Ambient Pressure Switch or MotorMaster® Low-Ambient Controller must be used when cooling operation is used at outdoor temperatures below 55°F (12.8°C).

#### 9. MotorMaster® Low-Ambient Controller

A fan-speed control device activated by a temperature sensor, designed to control condenser fan motor speed in response to the saturated, condensing temperature during operation in cooling mode only. For outdoor temperatures down to -20°F (-28.9°C), it maintains condensing temperature at 100°F ±10°F (37.8°C ± 6.5°C).

Usage Guideline:

A MotorMaster® Low Ambient Controller or Low-Ambient Pressure Switch must be used when cooling operation is used at outdoor temperatures below 55°F (12.8°C).

Suggested for all commercial applications.



## Accessory Description and Usage (Listed Alphabetically) - CONTINUED

### 10. Outdoor Air Temperature Sensor

Designed for use with Carrier Thermostats listed in this publication. This device enables the thermostat to display the outdoor temperature. This device also is required to enable special thermostat features such as auxiliary heat lock out.

Usage Guideline:

Suggested for all Carrier thermostats listed in this publication.

### 11. Outdoor Thermostat

An SPDT temperature-actuated switch which turns on supplemental electric heaters when outdoor air temperature drops below a user-selected set point.

Usage Guideline:

Electric supplemental heat applications in non-variable speed indoor units when electric heat staging is desired.

### 12. Secondary Outdoor Thermostat

An SPDT temperature-actuated switch which turns on third-stage of supplemental electric heaters when outdoor air temperature drops below the second-stage set point.

Usage Guideline:

Outdoor thermostat applications where electric heater is capable of 3-stage operation.

### 13. Snow Stand Rack

Coated wire rack which supports unit 18 in. (457.2 mm) above mounting pad to allow for drainage from unit base.

Usage Guideline:

Suggested in the following applications:

Heat pump installations in heavy snowfall areas.

Heat pump installations in snow drift locations.

Heat pump installations in areas of prolonged subfreezing temperatures.

All commercial installations.

### 14. Sound Hood

Wraparound sound reducing cover for the compressor. Reduces the sound level by about 2 dBA.

Usage Guideline:

Suggested when unit is installed closer than 15 ft. (4.577 m) to quiet areas, bedrooms, etc.

Suggested when unit is installed between two houses less than 10 ft. (3.05 m) apart.

### 15. Thermostatic Expansion Valve (TXV) Bi-Flow

A modulating flow-control valve which meters refrigerant liquid flow rate into the evaporator in response to the superheat of the refrigerant gas leaving the evaporator.

Usage Guideline:

Accessory required to meet AHRI rating and system reliability, where indoor not equipped.

Required in all heat pump applications designed with Puron refrigerant.

### 16. Time-Delay Relay

An SPST delay relay which briefly continues operation of indoor blower motor to provide additional cooling after the compressor cycles off.

**Note:** Most indoor unit controls include this feature. For those that do not, use the guideline below.

Usage Guideline:

Accessory required to meet AHRI rating, where indoor not equipped.

## ELECTRICAL DATA

UNIT SIZE	V/PH	OPER VOLTS*		COMPR		FAN	MCA	MIN WIRE SIZE†	MIN WIRE SIZE†	MAX LENGTH ft (m)‡	MAX LENGTH ft (m)‡	MAX FUSE** or CKT BRK AMPS
		MAX	MIN	LRA	RLA	FLA		60° C	75° C	60° C	75° C	
18	208/230/1	253	197	48.0	9.0	0.5	11.8	14	14	67 (20.4)	64 (19.5)	20
24				58.3	13.5	0.75	17.7	14	14	45 (13.7)	42 (12.8)	25
30				77.0	16.0	0.75	20.8	12	12	60 (18.3)	57 (17.4)	30
36				70.0	15.3	1.1	20.4	12	12	61 (18.6)	58 (17.7)	35
42				109.0	19.9	0.8	25.7	10	10	78 (23.8)	74 (22.6)	40
48				117.0	21.8	1.4	28.7	10	10	70 (21.3)	66 (20.1)	50
60				134.0	26.3	1.2	34.1	8	10	91 (27.7)	56 (17.1)	50

\* Permissible limits of the voltage range at which the unit will operate satisfactorily

† If wire is applied at ambient greater than 30°C, consult table 310–16 of the NEC (NFPA 70). The ampacity of non–metallic–sheathed cable (NM), trade name ROMEX, shall be that of 60°C conditions, per the NEC (NFPA 70) Article 336–26. If other than uncoated (no–plated), 60 or 75°C insulation, copper wire (solid wire for 10 AWG or smaller, stranded wire for larger than 10 AWG) is used, consult applicable tables of the NEC (NFPA 70).

‡ Length shown is as measured 1 way along wire path between unit and service panel for voltage drop not to exceed 2%.

\*\* Time–Delay fuse.

FLA – Full Load Amps

LRA – Locked Rotor Amps

MCA – Minimum Circuit Amps

RLA – Rated Load Amps

NOTE: Control circuit is 24–V on all units and requires external power source. Copper wire must be used from service disconnect to unit.

All motors/compressors contain internal overload protection.

Complies with 2007 requirements of ASHRAE Standards 90.1

## A-WEIGHTED SOUND POWER

UNIT SIZE	STANDARD RATING (dBA)	TYPICAL OCTAVE BAND SPECTRUM (dBA, without tone adjustment)						
		125	250	500	1000	2000	4000	8000
18	69	45.0	48.0	56.0	62.0	54.5	52.5	47.0
24	76	51.5	57.0	63.0	69.5	63.0	59.5	53.5
30	78	45.0	55.0	61.5	70.5	62.0	58.5	52.5
36	72	52.5	55.5	61.5	63.0	60.0	59.0	52.0
42	78	61.0	67.5	72.5	73.5	71.0	67.5	62.0
48	77	52.0	62.0	66.5	68.0	65.0	61.0	54.0
60	77	55.0	63.0	67.5	71.5	68.0	64.0	60.5

NOTE: Tested in accordance with AHRI Standard 270–08 (not listed in AHRI).

## A-WEIGHTED SOUND POWER WITH SOUND HOOD

UNIT SIZE	STANDARD RATING (dBA)	TYPICAL OCTAVE BAND SPECTRUM (dBA, without tone adjustment)						
		125	250	500	1000	2000	4000	8000
18	68	46.5	48.0	56.0	60.5	54.5	51.5	45.5
24	76	52.0	57.5	63.0	68.0	62.5	58.5	52.5
30	76	45.5	54.5	61.0	68.5	60.5	57.5	52.0
36	72	52.5	54.0	61.5	62.0	59.0	57.5	51.5
42	78	60.5	68.0	72.5	73.0	71.0	67.5	61.5
48	77	52.0	61.5	66.5	68.0	64.5	60.5	53.0
60	74	55.0	63.5	67.0	69.0	66.5	62.0	57.0

NOTE: Tested in accordance with AHRI Standard 270–08 (not listed in AHRI).

## CHARGING SUBCOOLING (TXV-TYPE EXPANSION DEVICE)

UNIT SIZE–SERIES	REQUIRED SUBCOOLING ° F (° C)
18	11 (6.1)
24	11 (6.1)
30	10 (5.6)
36	10 (5.6)
42	11 (6.1)
48	15 (8.3)
60	15 (8.3)



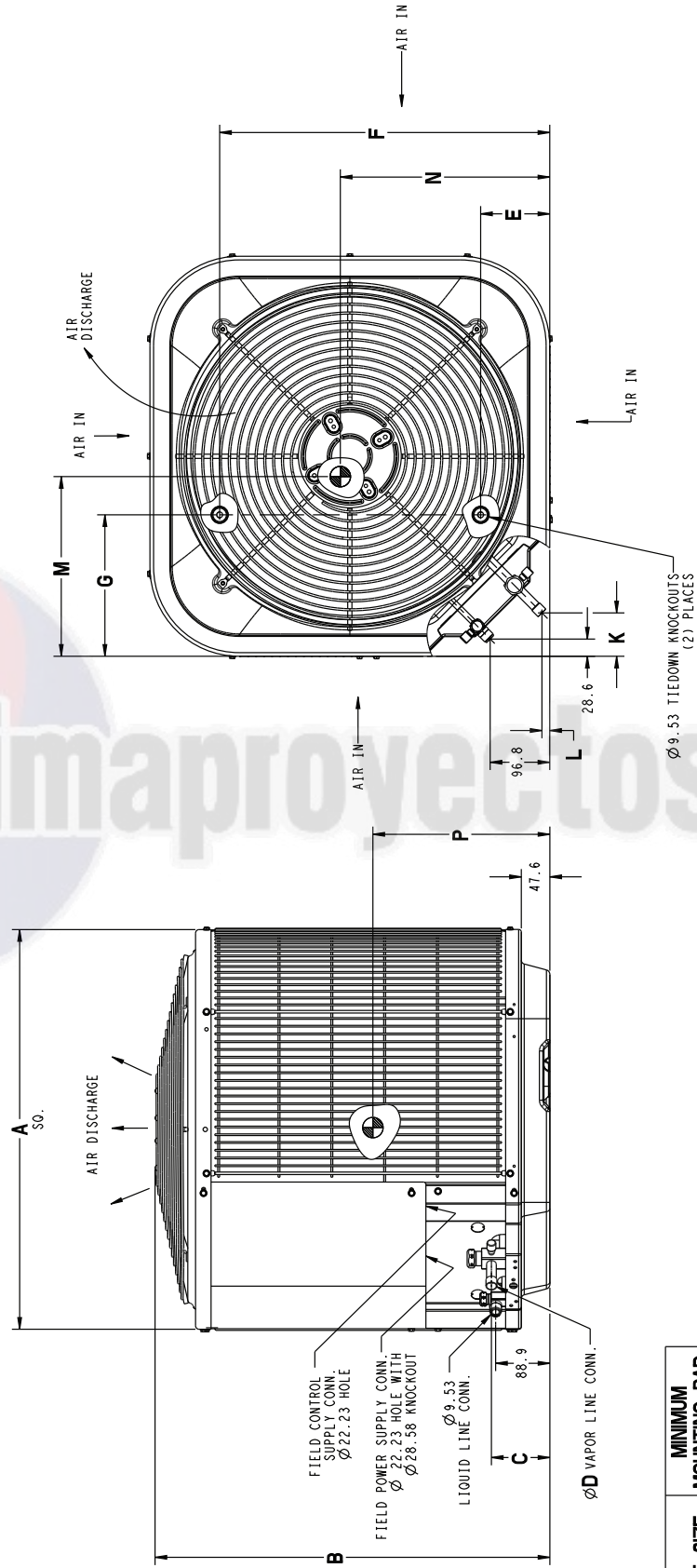
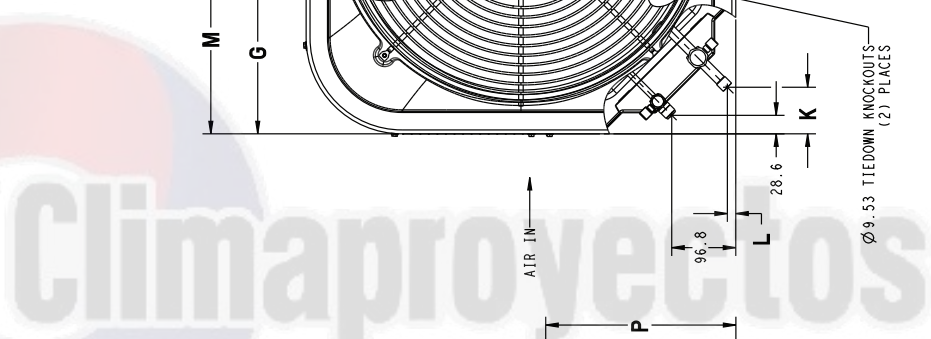


# 25HCD4

## DIMENSIONS - SI

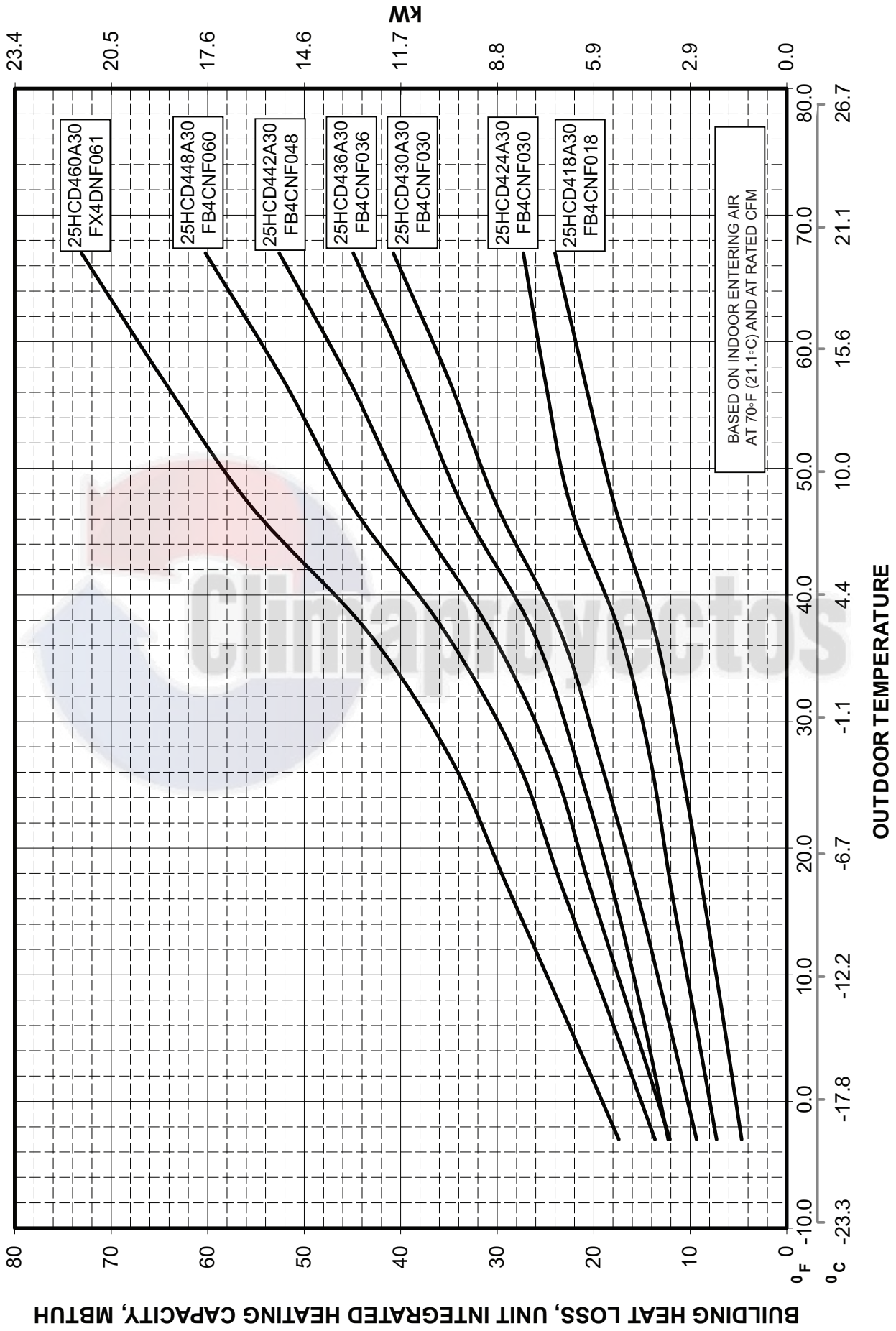
UNIT	SERIES	ELECTRICAL CHARACTERISTICS	A	B	C	D	E	F	G	K	L	M	N	P	OPERATING WEIGHT (Kgs)	SHIPPING WEIGHT (Kgs)	SHIPPING DIMENSIONS (L x W x H)
25HCD418	0	X 0 0 0	587.4	895.4	95.2	15.9	112.7	458.8	198.4	71.4	12.7	292.1	266.7	342.9	62.6	72.1	641.5 X 641.5 X 1016.9
25HCD424	0	X 0 0 0	792.2	735.0	95.2	15.9	166.7	627.1	231.8	71.4	12.7	396.9	425.4	368.3	73.5	85.7	846.6 X 846.6 X 844.2
25HCD430	0	X 0 0 0	792.2	993.8	95.2	19.0	166.7	627.1	231.8	71.4	12.7	419.1	393.7	431.8	84.4	97.5	846.6 X 846.6 X 1103.3
25HCD436	1	X 0 0 0	792.2	993.8	95.2	19.0	166.7	627.1	231.8	71.4	12.7	419.1	393.7	431.8	85.7	98.9	846.6 X 846.6 X 1103.3
25HCD442	0	X 0 0 0	792.2	643.0	98.4	22.2	166.7	627.1	231.8	74.6	15.9	393.7	400.1	317.5	102.1	113.4	846.6 X 846.6 X 844.2
25HCD448	0	X 0 0 0	792.2	820.0	98.4	22.2	166.7	627.1	231.8	74.6	15.9	381.0	381.0	317.5	108.9	123.8	846.6 X 846.6 X 930.6
25HCD460	0	X 0 0 0	889.0	735.0	98.4	22.2	166.7	722.3	231.8	74.6	15.9	431.8	406.4	304.8	113.4	127.9	943.1 X 943.1 X 844.2

X = YES  
O = NO



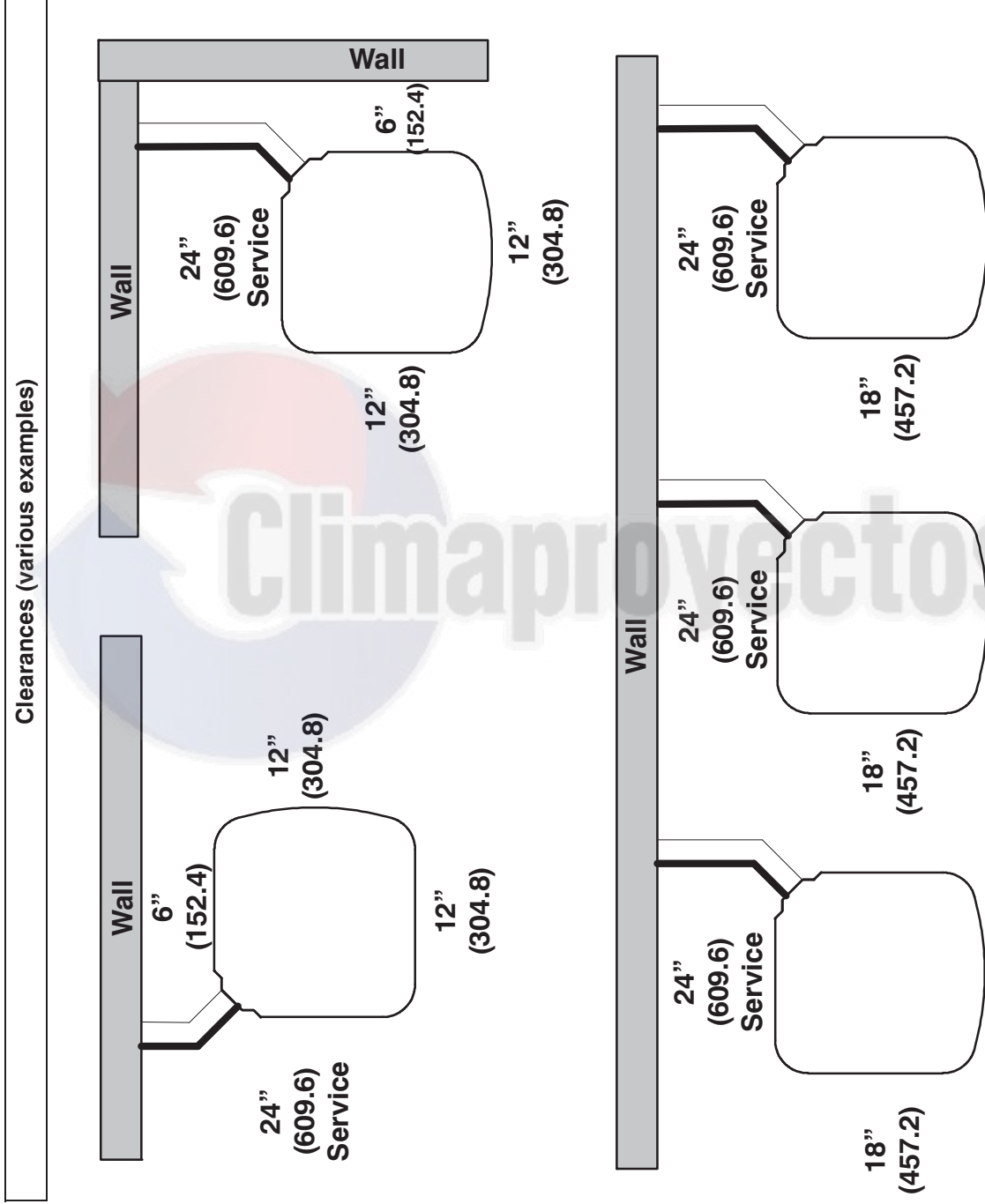
UNIT SIZE	MINIMUM MOUNTING PAD DIMENSIONS
18	586.9 X 596.9
24, 30, 36, 42, 48	800.1 X 800.1
60	889.0 X 889.0

**25HCD4 BALANCE POINT WORKSHEET**



**25HCD4**

# CLEARANCES



**Note:** Numbers in ( ) = mm

**IMPORTANT:** When installing multiple units in an alcove, roof well, or partially enclosed area, ensure there is adequate ventilation to prevent re-circulation of discharge air.

## TESTED AHRI COMBINATION RATINGS

**NOTE:** Ratings contained in this document are subject to change at any time.

For AHRI ratings certificates, please refer to the AHRI directory [www.ahridirectory.org](http://www.ahridirectory.org)

Additional ratings and system combinations can be accessed via the Carrier database at: [www.MyCarrierRatings.com](http://www.MyCarrierRatings.com)

For performance data at specific application &/or design conditions with various indoor unit combinations, the equipment performance calculator can be accessed at : <http://rpmob.wrightsoft.com/>

Model Number	Coil Model Number	Furnace Model Number	Cooling Capacity	EER	SEER	High Temp		HSPF	Low Temp	
						E Capacity	E COP		H Capacity	H COP
25HCD418A**30	FB4CNP018		17,800	11.5	14.0	17,600	3.72	8.0	10,400	2.40
25HCD424A**30	FB4CNP030		22,600	11.5	14.0	21,800	3.60	7.8	13,400	2.42
25HCD430A**30	FB4CNP030		30,000	11.5	14.0	29,600	3.58	8.0	18,300	2.44
25HCD436A**31	FB4CNP036		33,600	11.7	14.0	34,000	3.74	8.0	20,400	2.42
25HCD442A**30	FB4CNP048		41,000	11.5	14.0	38,500	3.74	8.0	23,600	2.60
25HCD448A**30	FB4CNF060		45,500	11.5	14.0	45,000	3.70	8.0	26,600	2.48
25HCD460A**30	FX4DN(B,F)061		58,500	11.5	14.0	55,500	3.68	8.0	35,000	2.62

\* AHRI = Air Conditioning, Heating & Refrigeration Institute

\* Ratings are net values reflecting the effects of circulating fan heat. Supplemental electric heat is not included. Ratings are based on:

**Cooling Standard:** 80°F (27°C) db 67°F (19°C) wb indoor entering air temperature and 95°F (35°C) db air entering outdoor unit.

**High-Temp Heating Standard:** 70°F (21°C) db indoor entering air temperature and 47°F (8°C) db 43°F (6°C) wb air entering outdoor unit.

**Low-Temp Heating Standard:** 70°F (21°C) db indoor entering air temperature and 17°F (-8°C) db 15°F (-9°C) wb air entering outdoor unit.

**COP** — Coefficient of Performance

**EER** — Energy Efficiency Ratio

**HSPF** — Heating Seasonal Performance Factor

**SEER** — Seasonal Energy Efficiency Ratio



**DETAILED COOLING CAPACITIES#**

EVAPORATOR AIR		CONDENSER ENTERING AIR TEMPERATURES ° F (° C)																	
		75 (23.9)			85 (25.4)			95 (35)			105 (40.6)			115 (46.1)			125 (51.7)		
		CFM	EWB ° F (° C)	Capacity MBtuh		Total Sys. KW**	Capacity MBtuh		Total Sys. KW**	Capacity MBtuh		Total Sys. KW**	Capacity MBtuh		Total Sys. KW**	Capacity MBtuh		Total Sys. KW**	
Total	Sens†			Total	Sens†		Total	Sens†		Total	Sens†		Total	Sens†					
<b>25HCD418A0030010 Outdoor Section With FB4CNF018 Indoor Section</b>																			
	72 (22.2)	21.43	10.44	1.20	20.38	10.06	1.36	19.27	9.66	1.54	18.10	9.26	1.74	16.86	8.83	1.97	15.56	8.39	2.22
	67 (19.4)	19.44	12.77	1.19	18.48	12.39	1.36	17.47	11.99	1.53	16.40	11.58	1.73	15.26	11.15	1.96	14.06	10.69	2.21
<b>525</b>	63 (17.2)††	17.99	12.27	1.19	17.10	11.90	1.35	16.16	11.50	1.53	15.16	11.08	1.73	14.10	10.65	1.95	12.98	10.19	2.20
	62 (16.7)	17.64	15.03	1.19	16.78	14.64	1.35	15.88	14.22	1.53	14.93	13.76	1.73	14.00	14.00	1.95	13.10	13.10	2.20
	57 (13.9)	16.97	16.97	1.19	16.30	16.30	1.35	15.58	15.58	1.52	14.81	14.81	1.73	13.98	13.98	1.95	13.08	13.08	2.20
	72 (22.2)	21.88	10.96	1.21	20.77	10.58	1.38	19.62	10.18	1.56	18.40	9.76	1.76	17.12	9.33	1.98	15.77	8.88	2.23
	67 (19.4)	19.86	13.61	1.20	18.86	13.22	1.37	17.80	12.82	1.55	16.69	12.39	1.75	15.51	11.95	1.97	14.27	11.48	2.22
<b>600</b>	63 (17.2)††	18.40	13.06	1.20	17.47	12.67	1.36	16.49	12.27	1.54	15.44	11.84	1.74	14.34	11.39	1.97	13.19	10.92	2.21
	62 (16.7)	18.08	16.13	1.20	17.20	15.71	1.36	16.27	16.27	1.54	15.43	15.43	1.74	14.54	14.54	1.97	13.59	13.59	2.22
	57 (13.9)	17.73	17.73	1.20	17.01	17.01	1.36	16.24	16.24	1.54	15.41	15.41	1.74	14.52	14.52	1.97	13.57	13.57	2.22
	72 (22.2)	22.22	11.46	1.22	21.08	11.07	1.39	19.88	10.66	1.57	18.63	10.24	1.77	17.31	9.80	2.00	15.92	9.35	2.25
	67 (19.4)	20.19	14.41	1.22	19.15	14.01	1.38	18.06	13.60	1.56	16.91	13.16	1.76	15.70	12.71	1.99	14.44	12.22	2.23
<b>675</b>	63 (17.2)††	18.71	13.81	1.21	17.75	13.41	1.38	16.74	12.99	1.56	15.66	12.55	1.75	14.53	12.09	1.98	13.35	11.59	2.23
	62 (16.7)	18.48	17.11	1.21	17.63	17.63	1.38	16.80	16.80	1.56	15.93	15.93	1.76	14.99	14.99	1.98	13.99	13.99	2.23
	57 (13.9)	18.36	18.36	1.21	17.60	17.60	1.38	16.78	16.78	1.56	15.91	15.91	1.75	14.97	14.97	1.98	13.97	13.97	2.23
<b>CONDENSER ENTERING AIR TEMPERATURES ° F (° C)</b>																			
EVAPORATOR AIR		CONDENSER ENTERING AIR TEMPERATURES ° F (° C)																	
		75 (23.9)			85 (25.4)			95 (35)			105 (40.6)			115 (46.1)			125 (51.7)		
		CFM	EWB ° F (° C)	Capacity MBtuh		Total Sys. KW**	Capacity MBtuh		Total Sys. KW**	Capacity MBtuh		Total Sys. KW**	Capacity MBtuh		Total Sys. KW**	Capacity MBtuh		Total Sys. KW**	
Total	Sens†			Total	Sens†		Total	Sens†		Total	Sens†		Total	Sens†					
	72 (22.2)	27.58	14.01	1.53	26.28	13.52	1.73	24.89	13.02	1.94	23.44	12.49	2.17	21.90	11.95	2.43	20.27	11.37	2.72
	67 (19.4)	25.05	17.27	1.53	23.86	16.78	1.72	22.60	16.27	1.93	21.26	15.74	2.16	19.86	15.18	2.41	18.36	14.59	2.70
<b>700</b>	63 (17.2)††	23.22	16.60	1.54	22.12	16.12	1.72	20.94	15.60	1.93	19.70	15.07	2.15	18.38	14.50	2.41	16.98	13.92	2.70
	62 (16.7)	22.79	20.43	1.54	21.72	19.92	1.72	20.61	19.37	1.93	19.44	19.27	2.15	18.32	18.32	2.41	17.19	17.19	2.70
	57 (13.9)	22.06	22.06	1.54	21.22	21.22	1.72	20.32	20.32	1.93	19.34	19.34	2.15	18.30	18.30	2.41	17.17	17.17	2.70
	72 (22.2)	28.11	14.71	1.56	26.74	14.21	1.75	25.30	13.70	1.96	23.79	13.17	2.19	22.20	12.61	2.45	20.51	12.03	2.74
	67 (19.4)	25.55	18.40	1.56	24.30	17.90	1.75	22.99	17.38	1.96	21.60	16.84	2.18	20.14	16.26	2.44	18.60	15.66	2.73
<b>800</b>	63 (17.2)††	23.69	17.66	1.20	22.54	17.16	1.75	21.32	16.64	1.95	20.02	16.09	2.18	18.66	15.51	2.43	17.22	14.89	2.73
	62 (16.7)	23.33	21.90	1.56	22.24	21.32	1.75	21.15	21.15	1.95	20.10	20.10	2.18	18.99	18.99	2.43	17.79	17.79	2.73
	57 (13.9)	22.99	22.99	1.56	22.09	22.09	1.75	21.12	21.12	1.95	20.07	20.07	2.18	18.96	18.96	2.43	17.76	17.76	2.72
	72 (22.2)	28.51	15.37	1.58	27.09	14.87	1.78	25.60	14.35	1.99	24.05	13.81	2.22	22.41	13.25	2.48	20.68	12.66	2.77
	67 (19.4)	25.92	19.48	1.58	24.63	18.97	1.77	23.28	18.44	1.98	21.85	17.88	2.21	20.36	17.28	2.46	18.79	16.65	2.75
<b>900</b>	63 (17.2)††	24.06	18.66	1.58	22.86	18.15	1.77	21.60	17.61	1.97	20.27	17.05	2.20	18.88	16.45	2.45	17.41	15.80	2.75
	62 (16.7)	23.81	23.81	1.58	22.84	22.84	1.77	21.81	21.81	1.97	20.70	20.70	2.20	19.53	19.53	2.46	18.26	18.26	2.75
	57 (13.9)	23.77	23.77	1.58	22.81	22.81	1.77	21.78	21.78	1.97	20.68	20.68	2.20	19.51	19.51	2.46	18.25	18.25	2.75

See notes on page 17



**DETAILED COOLING CAPACITIES# CONTINUED**

EVAPORATOR AIR		CONDENSER ENTERING AIR TEMPERATURES ° F (° C)																	
		75 (23.9)			85 (29.4)			95 (35)			105 (40.6)			115 (46.1)			125 (51.7)		
		CFM	EWB ° F (° C)	Capacity MBtuh		Total Sys. KW**	Capacity MBtuh		Total Sys. KW**	Capacity MBtuh		Total Sys. KW**	Capacity MBtuh		Total Sys. KW**	Capacity MBtuh		Total Sys. KW**	
Total	Sens†			Total	Sens†		Total	Sens†		Total	Sens†		Total	Sens†		Total	Sens†		
<b>25HCD430A0030010 Outdoor Section With FB4CNF030 Indoor Section</b>																			
	72 (22.2)	35.84	17.69	2.10	34.17	17.06	2.34	32.40	16.40	2.60	30.53	15.71	2.89	28.51	14.99	3.23	26.35	14.23	3.61
	67 (19.4)	32.58	21.58	2.08	31.07	20.96	2.32	29.45	20.30	2.58	27.74	19.60	2.87	25.90	18.87	3.21	23.93	18.10	3.59
<b>875</b>	63 (17.2)†	30.20	20.79	2.07	28.80	20.16	2.30	27.30	19.50	2.56	25.71	18.81	2.86	23.99	18.08	3.19	22.16	17.30	3.58
	62 (16.7)	29.61	25.37	2.07	28.25	24.73	2.30	26.80	24.04	2.56	25.27	23.30	2.85	23.66	22.46	3.19	22.06	22.06	3.58
	57 (13.9)	28.23	28.23	2.06	27.17	27.17	2.29	26.03	26.03	2.55	24.81	24.81	2.85	23.47	23.47	3.19	22.03	22.03	3.58
	72 (22.2)	36.57	18.51	2.13	34.83	17.87	2.37	32.98	17.20	2.63	31.02	16.50	2.93	28.93	15.77	3.26	26.88	14.99	3.64
	67 (19.4)	33.27	22.91	2.11	31.68	22.27	2.35	30.00	21.60	2.61	28.20	20.89	2.90	26.29	20.14	3.24	24.25	19.35	3.63
<b>1000</b>	63 (17.2)†	30.87	22.03	1.20	29.40	21.39	2.34	27.83	20.72	2.59	26.16	20.00	2.89	24.38	19.26	3.22	22.49	18.46	3.62
	62 (16.7)	30.32	27.15	2.10	28.90	26.45	2.33	27.42	25.70	2.59	25.83	25.83	2.89	24.37	24.37	3.22	22.83	22.83	3.62
	57 (13.9)	29.43	29.43	2.10	28.30	28.30	2.33	27.08	27.08	2.59	25.77	25.77	2.89	24.34	24.34	3.22	22.80	22.80	3.62
	72 (22.2)	37.15	19.30	2.16	35.34	18.65	2.40	33.42	17.97	2.66	31.40	17.26	2.96	29.23	16.51	3.29	26.94	15.73	3.68
	67 (19.4)	33.82	24.19	2.15	32.17	23.54	2.38	30.41	22.85	2.64	28.56	22.13	2.93	26.59	21.36	3.27	24.50	20.53	3.66
<b>1125</b>	63 (17.2)†	31.40	23.23	2.13	29.87	22.57	2.37	28.24	21.88	2.63	26.52	21.15	2.92	24.67	20.36	3.25	22.74	19.55	3.65
	62 (16.7)	30.91	28.76	2.13	29.48	27.98	2.37	28.00	26.00	2.62	26.59	26.59	2.92	25.09	25.09	3.26	23.45	23.45	3.65
	57 (13.9)	30.45	30.45	2.13	29.25	29.25	2.36	27.95	27.95	2.62	26.56	26.56	2.92	25.05	25.05	3.26	23.42	23.42	3.65
<b>CONDENSER ENTERING AIR TEMPERATURES ° F (° C)</b>																			
EVAPORATOR AIR		CONDENSER ENTERING AIR TEMPERATURES ° F (° C)																	
		75 (23.9)			85 (29.4)			95 (35)			105 (40.6)			115 (46.1)			125 (51.7)		
		CFM	EWB ° F (° C)	Capacity MBtuh		Total Sys. KW**	Capacity MBtuh		Total Sys. KW**	Capacity MBtuh		Total Sys. KW**	Capacity MBtuh		Total Sys. KW**	Capacity MBtuh		Total Sys. KW**	
Total	Sens†			Total	Sens†		Total	Sens†		Total	Sens†		Total	Sens†		Total	Sens†		
<b>25HCD430A0030010 Outdoor Section With FB4CNF036 Indoor Section</b>																			
	72 (22.2)	42.11	20.36	2.44	39.88	19.56	2.68	37.69	18.79	2.95	35.45	18.01	3.26	33.04	17.18	3.61	30.40	16.29	4.02
	67 (19.4)	38.24	25.08	2.41	36.21	24.28	2.66	34.23	23.51	2.93	32.20	22.72	3.24	30.01	21.89	3.60	27.61	20.99	4.01
<b>1050</b>	63 (17.2)†	35.42	24.11	2.40	33.55	23.31	2.65	31.72	22.55	2.92	29.84	21.77	3.23	27.82	20.94	3.59	25.58	20.03	4.01
	62 (16.7)	34.75	29.63	2.40	32.94	28.79	2.64	31.20	27.95	2.92	29.43	27.04	3.23	27.63	27.63	3.59	25.82	25.82	4.01
	57 (13.9)	33.49	33.49	2.40	32.06	32.06	2.64	30.66	30.66	2.91	29.20	29.20	3.23	27.60	27.60	3.59	25.79	25.79	4.01
	72 (22.2)	42.92	21.34	2.48	40.58	20.52	2.72	38.30	19.73	2.99	35.95	18.94	3.30	33.46	18.10	3.66	30.73	17.19	4.06
	67 (19.4)	38.99	26.66	2.46	36.87	25.84	2.70	34.80	25.06	2.97	32.67	24.25	3.29	30.41	23.39	3.64	27.92	22.44	4.05
<b>1200</b>	63 (17.2)†	36.15	25.58	1.20	34.18	24.77	2.69	32.27	23.98	2.96	30.30	23.18	3.28	28.21	22.32	3.64	25.90	21.36	4.05
	62 (16.7)	35.53	31.65	2.45	33.68	30.70	2.69	31.88	31.88	2.96	30.26	30.26	3.28	28.55	28.55	3.64	26.82	26.82	4.05
	57 (13.9)	34.82	34.82	2.44	33.29	33.29	2.69	31.79	31.79	2.96	30.22	30.22	3.28	28.51	28.51	3.64	26.59	26.59	4.05
	72 (22.2)	43.53	22.26	2.53	41.11	21.43	2.77	38.74	20.63	3.04	36.33	19.82	3.35	33.75	18.97	3.70	30.95	18.05	4.10
	67 (19.4)	39.56	28.18	2.51	37.36	27.34	2.75	35.21	26.52	3.02	33.02	25.68	3.33	30.69	24.79	3.69	28.16	23.78	4.10
<b>1350</b>	63 (17.2)†	36.70	26.99	2.49	34.65	26.15	2.73	32.67	25.34	3.01	30.65	24.50	3.32	28.49	23.60	3.68	26.14	22.59	4.09
	62 (16.7)	36.25	33.31	2.49	34.38	34.38	2.73	32.76	32.76	3.01	31.10	31.10	3.32	29.29	29.29	3.68	27.27	27.27	4.09
	57 (13.9)	35.93	35.93	2.49	34.32	34.32	2.73	32.72	32.72	3.01	31.06	31.06	3.32	29.26	29.26	3.68	27.24	27.24	4.09

See notes on page 17



DETAILED COOLING CAPACITIES# CONTINUED

EVAPORATOR AIR		CONDENSER ENTERING AIR TEMPERATURES ° F (° C)																	
		75 (23.9)			85 (29.4)			95 (35)			105 (40.6)			115 (46.1)			125 (51.7)		
		CFM	EWB ° F (° C)	Capacity MBtuh		Total Sys. KW**	Capacity MBtuh		Total Sys. KW**	Capacity MBtuh		Total Sys. KW**	Capacity MBtuh		Total Sys. KW**	Capacity MBtuh		Total Sys. KW**	
Total	Sens†			Total	Sens†		Total	Sens†		Total	Sens†		Total	Sens†		Total	Sens†		
25HCD42A0030010 Outdoor Section With FB4CNF048 Indoor Section																			
	72 (22.2)	49.42	24.00	46.86	23.08	3.09	44.19	22.13	3.50	41.40	21.16	3.93	38.49	20.16	4.38	35.40	19.11	4.88	
	67 (19.4)	45.06	29.55	42.76	28.64	3.15	40.38	27.71	3.53	37.86	26.74	3.93	35.24	25.74	4.37	32.44	24.68	4.86	
1225	63 (17.2)†	41.90	28.49	39.80	27.59	3.17	37.61	26.77	3.54	35.31	25.71	3.93	32.88	24.71	4.36	30.31	23.86	4.83	
	62 (16.7)	41.13	34.95	39.09	34.02	3.18	36.99	33.03	3.54	34.80	31.96	3.92	32.60	32.60	4.35	30.49	30.49	4.83	
	57 (13.9)	39.59	39.59	2.85	37.99	3.18	36.30	36.30	3.53	34.50	34.50	3.92	32.56	32.56	4.35	30.45	30.45	4.83	
	72 (22.2)	50.34	25.14	47.64	24.20	3.12	44.85	23.23	3.53	41.95	22.24	3.96	38.92	21.23	4.42	35.74	20.17	4.92	
	67 (19.4)	45.92	31.41	43.51	30.48	3.18	41.00	29.52	3.57	38.39	28.53	3.97	35.66	27.49	4.42	32.79	26.40	4.90	
1400	63 (17.2)†	42.74	30.22	40.53	29.30	3.21	38.23	28.35	3.58	35.83	27.37	3.97	33.31	26.94	4.40	30.87	25.25	4.88	
	62 (16.7)	42.03	37.40	39.94	36.37	3.21	37.75	37.65	3.58	35.75	35.75	3.97	33.66	33.66	4.41	31.41	31.41	4.89	
	57 (13.9)	41.19	41.19	2.87	39.47	3.21	37.64	37.64	3.58	35.71	35.71	3.97	33.62	33.62	4.40	31.37	31.37	4.89	
	72 (22.2)	51.02	26.22	48.23	25.26	3.14	45.34	24.28	3.56	42.34	23.28	4.00	39.23	22.25	4.47	35.96	21.17	4.96	
	67 (19.4)	46.57	33.18	44.06	32.23	3.21	41.47	31.24	3.60	38.77	30.22	4.01	35.98	29.15	4.46	33.04	28.01	4.95	
1575	63 (17.2)†	43.37	31.87	41.08	30.93	3.24	38.70	29.95	3.62	36.22	28.93	4.01	33.64	27.87	4.45	30.83	26.72	4.92	
	62 (16.7)	42.84	39.55	40.75	40.75	3.25	38.79	38.79	3.61	36.73	36.73	4.01	34.52	34.52	4.45	32.14	32.14	4.94	
	57 (13.9)	42.53	42.53	40.68	40.68	3.25	38.74	38.74	3.61	36.69	36.69	4.01	34.48	34.48	4.45	32.11	32.11	4.94	
CONDENSER ENTERING AIR TEMPERATURES ° F (° C)																			
EVAPORATOR AIR		CONDENSER ENTERING AIR TEMPERATURES ° F (° C)																	
		75 (23.9)			85 (29.4)			95 (35)			105 (40.6)			115 (46.1)			125 (51.7)		
		CFM	EWB ° F (° C)	Capacity MBtuh		Total Sys. KW**	Capacity MBtuh		Total Sys. KW**	Capacity MBtuh		Total Sys. KW**	Capacity MBtuh		Total Sys. KW**	Capacity MBtuh		Total Sys. KW**	
Total	Sens†			Total	Sens†		Total	Sens†		Total	Sens†		Total	Sens†		Total	Sens†		
25HCD448A**30 Outdoor Section With FB4CNF060 Indoor Section																			
	72 (22.2)	55.64	28.36	52.73	27.27	3.07	49.81	26.18	3.98	46.81	25.09	4.45	43.67	23.95	4.95	40.35	22.78	5.50	
	67 (19.4)	50.73	34.92	48.13	33.84	3.10	45.50	32.76	3.96	42.78	31.66	4.40	39.94	30.52	4.90	36.91	29.32	5.46	
1400	63 (17.2)†	47.15	33.65	44.78	32.59	3.11	42.35	31.52	3.93	39.84	30.43	4.37	37.21	29.29	4.86	34.42	28.09	5.43	
	62 (16.7)	46.27	41.29	43.97	40.18	3.11	41.65	39.05	3.93	39.26	37.83	4.37	36.88	36.88	4.86	34.61	34.61	5.43	
	57 (13.9)	44.58	44.58	42.77	42.77	3.11	40.90	40.90	3.92	38.93	38.93	4.36	36.83	36.83	4.86	34.56	34.56	5.43	
	72 (22.2)	56.68	29.75	53.63	28.63	3.11	50.59	27.53	4.03	47.45	26.41	4.50	44.20	25.26	5.00	40.76	24.06	5.55	
	67 (19.4)	51.73	37.17	48.98	36.06	3.13	46.24	34.96	4.01	43.40	33.83	4.46	40.45	32.66	4.95	37.35	31.42	5.51	
1600	63 (17.2)†	48.13	35.76	45.62	34.66	3.12	43.10	33.57	3.98	40.47	32.44	4.42	37.75	31.27	4.92	34.87	30.04	5.48	
	62 (16.7)	47.34	44.26	44.96	43.04	3.15	42.56	42.56	3.98	40.40	40.40	4.42	38.16	38.16	4.93	35.72	35.72	5.49	
	57 (13.9)	46.43	46.43	44.48	44.48	3.15	42.47	42.47	3.98	40.35	40.35	4.42	38.11	38.11	4.92	35.68	35.68	5.49	
	72 (22.2)	57.47	31.06	54.31	29.93	3.15	51.15	28.81	4.08	47.93	27.67	4.55	44.57	26.51	5.05	41.04	25.30	5.60	
	67 (19.4)	52.47	39.32	49.63	38.18	3.17	46.79	37.05	4.05	43.86	35.89	4.51	40.85	34.69	5.00	37.66	33.39	5.56	
1800	63 (17.2)†	48.86	37.75	46.26	36.63	3.19	43.65	35.51	4.03	40.95	34.35	4.48	38.16	33.15	4.97	35.20	31.85	5.53	
	62 (16.7)	48.27	46.86	45.96	45.96	3.19	43.81	43.81	4.03	41.57	41.57	4.48	39.18	39.18	4.98	36.61	36.61	5.55	
	57 (13.9)	47.99	47.99	45.90	45.90	3.19	43.76	43.76	4.03	41.52	41.52	4.48	39.14	39.14	4.98	36.57	36.57	5.55	

See notes on page 17

# DETAILED COOLING CAPACITIES# CONTINUED

EVAPORATOR AIR		CONDENSER ENTERING AIR TEMPERATURES ° F (° C)																	
CFM	EWB ° F (° C)	75 (23.9)			85 (29.4)			95 (35)			105 (40.6)			115 (46.1)			125 (51.7)		
		Capacity MBtuh		Total Sys. KW**	Capacity MBtuh		Total Sys. KW**	Capacity MBtuh		Total Sys. KW**	Capacity MBtuh		Total Sys. KW**	Capacity MBtuh		Total Sys. KW**	Capacity MBtuh		Total Sys. KW**
		Total	Sens†		Total	Sens†		Total	Sens†		Total	Sens†		Total	Sens†		Total	Sens†	
<b>25HCD460A0030010 Outdoor Section With FX4DN(B,F)061 Indoor Section</b>																			
	72 (22.2)	70.73	36.34	4.25	67.52	35.10	4.68	64.13	33.80	5.17	60.51	32.44	5.71	56.62	31.00	6.34	52.45	29.47	7.04
	67 (19.4)	64.53	44.67	4.18	61.60	43.42	4.60	58.50	42.12	5.09	55.17	40.74	5.63	51.62	39.28	6.26	47.80	37.74	6.97
1750	63 (17.2)††	59.98	43.07	4.12	57.26	41.83	4.55	54.38	40.52	5.03	51.29	39.14	5.57	47.98	37.68	6.20	44.42	36.12	6.92
	62 (16.7)	58.84	52.79	4.11	56.19	51.50	4.53	53.40	50.13	5.02	50.44	48.65	5.56	47.46	46.61	6.20	44.33	44.33	6.92
	57 (13.9)	56.42	56.42	4.08	54.34	54.34	4.51	52.13	52.13	5.00	49.74	49.74	5.55	47.11	47.11	6.19	44.27	44.27	6.92
	72 (22.2)	72.07	38.06	4.34	68.70	36.79	4.77	65.16	35.47	5.25	61.41	34.09	5.80	57.36	32.92	6.42	53.05	31.07	7.12
	67 (19.4)	65.81	47.49	4.26	62.75	46.22	4.69	59.47	44.87	5.17	56.03	43.47	5.71	52.34	41.98	6.34	48.40	40.38	7.05
2000	63 (17.2)††	61.24	45.71	1.20	58.38	44.43	4.63	55.35	43.09	5.11	52.15	41.68	5.66	48.70	40.17	6.28	45.02	38.57	7.00
	62 (16.7)	60.17	56.55	4.19	57.44	55.17	4.62	54.58	53.62	5.10	51.68	51.68	5.65	48.87	48.87	6.29	45.83	45.83	7.01
	57 (13.9)	58.79	58.79	4.18	56.55	56.55	4.61	54.17	54.17	5.09	51.60	51.60	5.65	48.81	48.81	6.29	45.77	45.77	7.01
	72 (22.2)	73.06	39.68	4.42	69.59	38.40	4.85	65.93	37.06	5.33	62.05	35.65	5.88	57.90	34.16	6.50	53.47	32.59	7.20
	67 (19.4)	66.76	50.17	4.34	63.58	48.87	4.77	60.23	47.51	5.25	56.67	46.07	5.79	52.87	44.53	6.42	48.84	42.88	7.12
2250	63 (17.2)††	62.17	48.20	4.28	59.22	46.90	4.71	56.09	45.53	5.19	52.77	44.08	5.73	49.24	42.53	6.36	45.49	40.87	7.07
	62 (16.7)	61.32	59.92	4.27	58.51	58.51	4.70	55.92	55.92	5.19	53.21	53.21	5.74	50.22	50.22	6.38	47.04	47.04	7.10
	57 (13.9)	60.75	60.75	4.27	58.38	58.38	4.70	55.86	55.86	5.19	53.13	53.13	5.74	50.18	50.18	6.38	46.98	46.98	7.09

† Total and sensible capacities are net capacities. Blower motor heat has been subtracted.

‡ Sensible capacities shown are based on 80° F (27° C) entering air at the indoor coil. For sensible capacities at other than 80° F (27° C), deduct 835 Btuh (245 kW) per 1000 CFM (480 L/S) of indoor coil air for each degree below 80° F (27° C), or add 835 Btuh (245 kW) per 1000 CFM (480 L/S) of indoor coil air per degree above 80° F (27° C).

# Detailed cooling capacities are based on indoor and outdoor unit at the same elevation per AHRI standard 210/240-2008. If additional tubing length and/or indoor unit is located above outdoor unit, a slight variation in capacity may occur.

\*\* Sys. kw is total of indoor and outdoor unit kilowatts.

†† At TVA rating indoor condition (75° F edb/63° F ewb). All other indoor air temperatures are at 80° F edb.

NOTE: When the required data falls between the published data, interpolation may be performed. Extrapolation is not an acceptable practice.

EWB — Entering Wet Bulb

HEAT PUMP HEATING PERFORMANCE

INDOOR AIR		OUTDOOR COIL ENTERING AIR TEMPERATURES ° F (° C)																									
EDB ° F (° C)	CFM	-3 (19.4)			7 (-13.9)			17 (-8.3)			27 (-2.18)			37 (2.8)			47 (8.3)			57 (13.9)			67 (19.4)				
		Capacity MBtuh	Total Sys. KW	Integ	Capacity MBtuh	Total Sys. KW	Integ	Capacity MBtuh	Total Sys. KW	Integ	Capacity MBtuh	Total Sys. KW	Integ	Capacity MBtuh	Total Sys. KW	Integ	Capacity MBtuh	Total Sys. KW	Integ	Capacity MBtuh	Total Sys. KW	Integ	Capacity MBtuh	Total Sys. KW	Integ		
65 (18.3)	525	5.26	4.84	1.03	7.45	6.84	1.09	8.94	1.14	12.54	11.14	1.21	15.07	13.71	1.27	17.87	17.87	1.35	21.00	21.00	1.44	24.19	24.19	1.53	28.38	28.38	1.61
	600	5.36	4.93	1.04	7.57	6.95	1.09	9.08	1.13	12.70	11.28	1.19	15.26	13.89	1.24	18.13	18.13	1.31	21.35	21.35	1.40	24.32	24.32	1.47	30.57	30.57	1.55
	675	5.44	5.01	1.04	7.66	7.04	1.09	10.09	1.13	12.83	11.40	1.18	15.43	14.04	1.23	18.33	18.33	1.29	21.54	21.54	1.37	24.32	24.32	1.43	32.05	32.05	1.51
70 (21.1)	525	4.98	4.58	1.08	7.15	6.57	1.14	8.65	1.20	12.28	10.90	1.27	14.78	13.45	1.33	17.54	17.54	1.41	20.61	20.61	1.51	23.84	23.84	1.61	29.03	29.03	1.69
	600	5.08	4.67	1.08	7.27	6.68	1.14	8.79	1.19	12.45	11.05	1.25	14.98	13.63	1.31	17.80	17.80	1.38	20.95	20.95	1.47	24.01	24.01	1.55	30.54	30.54	1.63
	675	5.16	4.75	1.09	7.38	6.78	1.14	9.77	1.18	12.58	11.17	1.24	15.14	13.78	1.29	18.01	18.01	1.36	21.21	21.21	1.44	24.05	24.05	1.50	32.05	32.05	1.58
75 (23.9)	525	4.85	4.28	1.13	6.83	6.27	1.19	8.35	1.25	11.98	10.64	1.33	14.49	13.19	1.40	17.21	17.21	1.48	20.22	20.22	1.58	23.47	23.47	1.69	28.66	28.66	1.77
	600	4.74	4.36	1.13	6.95	6.39	1.19	8.49	1.24	12.16	10.80	1.31	14.69	13.37	1.37	17.46	17.46	1.45	20.55	20.55	1.54	23.68	23.68	1.62	29.17	29.17	1.71
	675	4.84	4.45	1.14	7.05	6.48	1.19	9.44	1.24	12.30	10.93	1.30	14.86	13.52	1.36	17.67	17.67	1.42	20.82	20.82	1.51	23.75	23.75	1.58	30.68	30.68	1.66
INDOOR AIR		OUTDOOR COIL ENTERING AIR TEMPERATURES ° F (° C)																									
EDB ° F (° C)	CFM	-3 (19.4)			7 (-13.9)			17 (-8.3)			27 (-2.18)			37 (2.8)			47 (8.3)			57 (13.9)			67 (19.4)				
		Capacity MBtuh	Total Sys. KW	Integ	Capacity MBtuh	Total Sys. KW	Integ	Capacity MBtuh	Total Sys. KW	Integ	Capacity MBtuh	Total Sys. KW	Integ	Capacity MBtuh	Total Sys. KW	Integ	Capacity MBtuh	Total Sys. KW	Integ	Capacity MBtuh	Total Sys. KW	Integ	Capacity MBtuh	Total Sys. KW	Integ		
65 (18.3)	700	8.17	7.51	1.37	10.90	10.01	1.44	13.40	12.21	15.00	14.37	1.57	19.34	17.60	1.66	22.61	22.61	1.74	25.18	25.18	1.81	27.41	27.41	1.88	33.60	33.60	1.96
	800	8.30	7.63	1.38	11.03	10.14	1.45	13.55	12.36	15.10	14.55	1.56	19.58	17.82	1.64	22.41	22.41	1.70	24.71	24.71	1.76	26.52	26.52	1.81	35.11	35.11	1.88
	900	8.40	7.73	1.39	11.15	10.24	1.45	13.69	12.48	15.20	14.69	1.55	19.75	17.97	1.63	22.15	22.15	1.68	24.13	24.13	1.73	25.49	25.49	1.76	36.62	36.62	1.84
70 (21.1)	700	7.90	7.27	1.43	10.46	9.62	1.50	13.18	12.02	15.57	14.13	1.64	19.02	17.30	1.73	22.40	22.40	1.82	25.05	25.05	1.90	27.30	27.30	1.98	33.13	33.13	2.06
	800	8.03	7.39	1.44	10.63	9.77	1.50	13.33	12.16	15.66	14.30	1.63	19.26	17.52	1.71	22.30	22.30	1.78	24.70	24.70	1.85	26.63	26.63	1.91	34.64	34.64	2.02
	900	8.14	7.49	1.45	10.94	10.05	1.52	13.47	12.28	15.84	14.45	1.62	19.45	17.70	1.70	22.14	22.14	1.76	24.24	24.24	1.81	25.77	25.77	1.86	36.15	36.15	2.08
75 (23.9)	700	7.61	7.01	1.49	10.10	9.29	1.57	12.95	11.81	15.44	14.06	1.71	18.69	17.00	1.81	22.11	22.11	1.91	24.85	24.85	1.99	27.15	27.15	2.07	32.66	32.66	2.14
	800	7.74	7.12	1.50	10.26	9.42	1.57	13.11	11.95	15.64	14.23	1.70	18.93	17.22	1.79	22.20	22.20	1.87	24.61	24.61	1.94	26.59	26.59	2.00	34.17	34.17	2.06
	900	7.86	7.23	1.51	10.41	9.56	1.58	13.23	12.07	15.83	14.41	1.70	19.13	17.40	1.78	22.06	22.06	1.84	24.26	24.26	1.91	25.94	25.94	1.96	35.68	35.68	2.12

See notes on page 21

# HEAT PUMP HEATING PERFORMANCE CONTINUED

INDOOR AIR		OUTDOOR COIL ENTERING AIR TEMPERATURES ° F (° C)																										
EDB ° F (° C)	CFM	-3 (-19.4)			7 (-13.9)			17 (-8.3)			27 (-2.18)			37 (2.8)			47 (8.3)			57 (13.9)			67 (19.4)					
		Capacity MBtuh Total	Integ	Total Sys. KW	Capacity MBtuh Total	Integ	Total Sys. KW	Capacity MBtuh Total	Integ	Total Sys. KW	Capacity MBtuh Total	Integ	Total Sys. KW	Capacity MBtuh Total	Integ	Total Sys. KW	Capacity MBtuh Total	Integ	Total Sys. KW	Capacity MBtuh Total	Integ	Total Sys. KW	Capacity MBtuh Total	Integ	Total Sys. KW			
25HCD430A0030010 Outdoor Section With FB4CNF030 Indoor Section																												
65 (18.3)	875	10.46	9.62	1.86	13.80	12.68	1.96	17.42	15.88	2.05	21.91	19.46	2.17	25.80	23.48	2.28	30.06	30.06	3.06	30.06	30.06	3.06	35.04	35.04	2.53	40.79	40.79	2.71
	1000	10.66	9.80	1.88	14.04	13.90	1.96	17.71	16.15	2.05	22.20	19.72	2.16	26.13	23.78	2.25	30.48	30.48	3.08	30.48	30.48	3.08	35.60	35.60	2.48	41.38	41.38	2.62
	1125	10.84	9.97	1.89	14.25	13.99	1.97	17.95	16.36	2.05	22.44	19.83	2.15	26.42	24.04	2.23	30.82	30.82	3.10	30.82	30.82	3.10	36.06	36.06	2.44	41.73	41.73	2.56
70 (21.1)	875	9.95	9.15	1.95	13.29	12.22	2.05	16.91	15.41	2.14	20.95	18.60	2.25	25.40	23.11	2.39	29.61	29.61	2.50	29.61	29.61	2.50	34.46	34.46	2.64	40.09	40.09	2.83
	1000	10.15	9.34	1.96	13.54	12.44	2.05	17.19	15.68	2.14	21.78	19.95	2.25	25.73	23.41	2.35	30.00	30.00	2.46	30.00	30.00	2.46	35.00	35.00	2.58	40.76	40.76	2.74
	1125	10.33	9.50	1.97	13.74	12.63	2.06	17.44	15.90	2.14	22.04	19.57	2.25	26.00	23.66	2.34	30.34	30.34	2.43	30.34	30.34	2.43	35.46	35.46	2.55	41.15	41.15	2.67
75 (23.9)	875	9.42	8.66	2.03	12.76	11.72	2.13	16.37	14.83	2.24	20.32	18.05	2.35	25.01	22.75	2.50	29.18	29.18	2.62	29.18	29.18	2.62	33.89	33.89	2.76	39.38	39.38	2.96
	1000	9.61	8.84	2.04	13.00	11.94	2.14	16.66	15.19	2.23	20.67	18.36	2.33	25.33	23.05	2.46	29.54	29.54	2.57	29.54	29.54	2.57	34.42	34.42	2.70	40.09	40.09	2.86
	1125	9.78	9.00	2.06	13.21	12.14	2.15	16.90	15.41	2.24	20.99	18.64	2.33	25.58	23.28	2.44	29.89	29.89	2.54	29.89	29.89	2.54	34.86	34.86	2.66	40.55	40.55	2.80

INDOOR AIR		OUTDOOR COIL ENTERING AIR TEMPERATURES ° F (° C)																										
EDB ° F (° C)	CFM	-3 (-19.4)			7 (-13.9)			17 (-8.3)			27 (-2.18)			37 (2.8)			47 (8.3)			57 (13.9)			67 (19.4)					
		Capacity MBtuh Total	Integ	Total Sys. KW	Capacity MBtuh Total	Integ	Total Sys. KW	Capacity MBtuh Total	Integ	Total Sys. KW	Capacity MBtuh Total	Integ	Total Sys. KW	Capacity MBtuh Total	Integ	Total Sys. KW	Capacity MBtuh Total	Integ	Total Sys. KW	Capacity MBtuh Total	Integ	Total Sys. KW	Capacity MBtuh Total	Integ	Total Sys. KW			
25HCD436A0030010 Outdoor Section With FB4CNF030 Indoor Section																												
65 (18.3)	1050	13.90	12.79	2.17	16.76	15.40	2.21	20.22	18.43	2.27	24.73	21.96	2.36	28.93	26.33	2.45	33.67	33.67	3.67	33.67	33.67	3.67	39.00	39.00	2.69	45.04	45.04	2.86
	1200	14.25	13.11	2.19	17.14	15.75	2.23	20.63	18.81	2.28	25.09	22.28	2.36	29.33	26.69	2.44	34.17	34.17	3.17	34.17	34.17	3.17	39.63	39.63	2.65	45.62	45.62	2.79
	1350	14.57	13.41	2.22	17.47	16.06	2.25	21.00	19.15	2.29	25.41	22.57	2.36	29.69	27.02	2.44	34.56	34.56	3.56	34.56	34.56	3.56	40.15	40.15	2.63	45.97	45.97	2.75
70 (21.1)	1050	13.01	11.97	2.23	15.97	14.67	2.28	19.48	17.76	2.35	24.19	21.49	2.46	28.43	25.87	2.55	33.14	33.14	3.14	33.14	33.14	3.14	38.35	38.35	2.80	44.32	44.32	2.98
	1200	13.34	12.28	2.25	16.32	15.00	2.30	19.87	18.12	2.36	24.57	21.82	2.45	28.81	26.22	2.54	33.60	33.60	3.60	33.60	33.60	3.60	38.94	38.94	2.76	44.92	44.92	2.91
	1350	13.64	12.55	2.28	16.64	15.29	2.32	20.22	18.43	2.38	24.89	22.11	2.46	29.16	26.53	2.53	34.00	34.00	3.00	34.00	34.00	3.00	39.45	39.45	2.74	45.31	45.31	2.86
75 (23.9)	1050	12.14	11.17	2.29	15.19	13.96	2.36	18.77	17.12	2.44	22.95	20.38	2.53	27.98	25.46	2.66	32.62	32.62	2.78	32.62	32.62	2.78	37.73	37.73	2.92	43.57	43.57	3.11
	1200	12.45	11.45	2.32	15.59	14.27	2.38	19.15	17.46	2.45	23.45	20.88	2.53	28.33	25.78	2.64	33.07	33.07	3.07	33.07	33.07	3.07	38.29	38.29	2.88	44.21	44.21	3.03
	1350	12.72	11.71	2.35	15.82	14.54	2.40	19.47	17.75	2.46	24.28	21.56	2.55	28.67	26.09	2.64	33.45	33.45	3.45	33.45	33.45	3.45	38.77	38.77	2.85	44.63	44.63	2.99

See notes on page 21

HEAT PUMP HEATING PERFORMANCE CONTINUED

INDOOR AIR		OUTDOOR COIL ENTERING AIR TEMPERATURES ° F (° C)																								
EDB ° F (° C)	CFM	-3 (-19.4)			7 (-13.9)			17 (-8.3)			27 (-2.18)			37 (2.8)			47 (8.3)			57 (13.9)			67 (19.4)			
		Capacity MBtuh	Total Sys. KW	Integ	Capacity MBtuh	Total Sys. KW	Integ	Capacity MBtuh	Total Sys. KW	Integ	Capacity MBtuh	Total Sys. KW	Integ	Capacity MBtuh	Total Sys. KW	Integ	Capacity MBtuh	Total Sys. KW	Integ	Capacity MBtuh	Total Sys. KW	Integ	Capacity MBtuh	Total Sys. KW	Integ	
65 (18.3)	1225	13.64	12.55	2.13	18.06	16.60	2.28	22.72	20.72	2.45	27.78	24.67	2.63	33.74	30.70	2.82	39.10	39.10	39.10	45.43	45.43	45.43	52.75	52.75	52.75	3.20
	1400	13.91	12.80	2.14	18.38	16.89	2.29	23.10	21.06	2.45	28.28	25.12	2.62	34.14	31.07	2.79	39.63	39.63	39.63	46.12	46.12	46.12	53.26	53.26	53.26	3.11
	1572	14.16	13.02	2.15	18.66	17.15	2.30	23.42	21.35	2.46	29.37	26.08	2.64	34.51	31.40	2.78	40.07	40.07	40.07	46.66	46.66	46.66	53.49	53.49	53.49	3.05
70 (21.1)	1225	12.89	11.86	2.26	17.36	15.95	2.41	22.03	20.08	2.57	27.04	24.01	2.74	33.19	30.20	2.94	38.48	38.48	38.48	44.69	44.69	44.69	52.01	52.01	52.01	3.36
	1400	13.15	12.10	2.27	17.69	16.25	2.41	22.41	20.43	2.57	27.49	24.42	2.73	33.62	30.60	2.91	39.00	39.00	39.00	45.38	45.38	45.38	52.59	52.59	52.59	3.26
	1572	13.41	12.33	2.29	17.97	16.51	2.42	22.73	20.72	2.57	27.87	24.75	2.73	33.96	30.90	2.90	39.43	39.43	39.43	45.93	45.93	45.93	52.89	52.89	52.89	3.20
75 (23.9)	1225	12.13	11.16	2.40	16.83	15.28	2.53	21.30	19.42	2.69	26.29	23.35	2.86	32.58	29.65	3.06	37.86	37.86	37.86	43.98	43.98	43.98	51.22	51.22	51.22	3.51
	1400	12.39	11.40	2.41	16.93	15.56	2.54	21.68	19.77	2.69	26.74	23.75	2.85	33.04	30.06	3.04	38.37	38.37	38.37	44.64	44.64	44.64	51.88	51.88	51.88	3.42
	1572	12.63	11.62	2.43	17.21	15.81	2.55	22.00	20.06	2.69	27.11	24.08	2.85	33.41	30.40	3.03	38.79	38.79	38.79	45.18	45.18	45.18	52.23	52.23	52.23	3.36
INDOOR AIR		OUTDOOR COIL ENTERING AIR TEMPERATURES ° F (° C)																								
EDB ° F (° C)	CFM	-3 (-19.4)			7 (-13.9)			17 (-8.3)			27 (-2.18)			37 (2.8)			47 (8.3)			57 (13.9)			67 (19.4)			
		Capacity MBtuh	Total Sys. KW	Integ	Capacity MBtuh	Total Sys. KW	Integ	Capacity MBtuh	Total Sys. KW	Integ	Capacity MBtuh	Total Sys. KW	Integ	Capacity MBtuh	Total Sys. KW	Integ	Capacity MBtuh	Total Sys. KW	Integ	Capacity MBtuh	Total Sys. KW	Integ	Capacity MBtuh	Total Sys. KW	Integ	
65 (18.3)	1400	15.60	14.35	2.73	20.83	19.14	2.85	26.95	24.03	2.98	32.95	28.73	3.12	39.41	35.86	3.31	45.72	45.72	45.72	53.07	53.07	53.07	61.04	61.04	61.04	3.80
	1600	15.88	14.61	2.75	21.18	19.46	2.86	26.76	24.40	2.98	32.87	29.19	3.11	39.88	36.29	3.27	46.30	46.30	46.30	53.92	53.92	53.92	61.39	61.39	61.39	3.69
	1800	16.13	14.84	2.78	21.48	19.73	2.88	27.12	24.72	2.99	33.32	29.59	3.11	40.25	36.62	3.25	46.80	46.80	46.80	54.45	54.45	54.45	61.59	61.59	61.59	3.62
70 (21.1)	1400	14.83	13.65	2.84	20.06	18.43	2.96	25.58	23.32	3.10	31.50	27.98	3.25	38.83	35.33	3.45	45.00	45.00	45.00	52.18	52.18	52.18	60.23	60.23	60.23	3.98
	1600	15.12	13.91	2.86	20.41	18.75	2.98	25.99	23.70	3.10	32.02	28.44	3.24	39.29	35.75	3.42	45.59	45.59	45.59	53.04	53.04	53.04	60.60	60.60	60.60	3.87
	1800	15.38	14.15	2.89	20.71	19.03	3.00	26.95	24.03	3.11	32.46	28.83	3.24	39.67	36.10	3.40	46.08	46.08	46.08	53.66	53.66	53.66	60.84	60.84	60.84	3.80
75 (23.9)	1400	14.01	12.89	2.96	19.23	17.67	3.09	24.75	22.57	3.23	30.65	27.22	3.38	37.56	34.18	3.58	44.33	44.33	44.33	51.33	51.33	51.33	59.40	59.40	59.40	4.16
	1600	14.25	13.11	2.98	19.55	17.96	3.10	25.18	22.95	3.23	31.15	27.67	3.37	38.67	35.19	3.57	44.87	44.87	44.87	52.16	52.16	52.16	59.80	59.80	59.80	4.05
	1800	14.49	13.33	3.01	19.86	18.25	3.12	25.53	23.28	3.24	31.59	28.06	3.37	39.07	35.55	3.55	45.34	45.34	45.34	52.83	52.83	52.83	60.10	60.10	60.10	3.98

See notes on page 21



# HEAT PUMP HEATING PERFORMANCE CONTINUED

INDOOR AIR		OUTDOOR COIL ENTERING AIR TEMPERATURES ° F (° C)																							
EDB ° F (° C)	CFM	-3 (19.4)			7 (-13.9)			17 (-8.3)			27 (-2.18)			37 (2.8)			47 (8.3)			57 (13.9)			67 (19.4)		
		Capacity MBtuh Total	Integ	Total Sys. KW	Capacity MBtuh Total	Integ	Total Sys. KW	Capacity MBtuh Total	Integ	Total Sys. KW	Capacity MBtuh Total	Integ	Total Sys. KW	Capacity MBtuh Total	Integ	Total Sys. KW	Capacity MBtuh Total	Integ	Total Sys. KW	Capacity MBtuh Total	Integ	Total Sys. KW	Capacity MBtuh Total	Integ	Total Sys. KW
65 (18.3)	1750	19.93	18.33	3.32	26.13	24.01	3.48	32.70	29.82	3.63	40.40	35.88	3.81	48.32	43.98	4.02	56.33	56.33	4.23	65.47	65.47	4.40	74.05	74.05	4.62
	2000	20.33	18.70	3.36	26.60	24.44	3.50	33.24	30.31	3.63	41.69	37.03	3.83	48.89	44.49	3.98	57.20	57.20	4.16	65.93	65.93	4.32	74.13	74.13	4.51
	2250	20.69	19.04	3.40	27.01	24.82	3.53	33.71	30.74	3.66	42.13	37.42	3.83	49.42	44.98	3.97	57.87	57.87	4.12	66.21	66.21	4.28	73.91	73.91	4.43
70 (21.1)	1750	18.91	17.40	3.46	25.18	23.13	3.62	31.78	28.97	3.78	39.14	34.76	3.97	47.61	43.32	4.20	55.50	55.50	4.42	64.62	64.62	4.59	73.08	73.08	4.82
	2000	19.33	17.79	3.50	25.65	23.57	3.64	32.31	29.46	3.79	39.79	35.34	3.96	48.18	43.84	4.16	56.32	56.32	4.35	65.10	65.10	4.51	73.24	73.24	4.70
	2250	19.68	18.11	3.54	26.05	23.94	3.67	32.77	29.88	3.81	40.43	35.91	3.97	48.71	44.33	4.15	57.02	57.02	4.31	65.41	65.41	4.46	73.09	73.09	4.63
75 (23.9)	1750	17.86	16.43	3.60	24.18	22.22	3.77	30.83	28.11	3.94	38.13	33.86	4.14	46.97	42.74	4.40	54.71	54.71	4.62	63.72	63.72	4.80	72.12	72.12	5.03
	2000	18.23	16.77	3.64	24.62	22.63	3.79	31.35	28.59	3.95	38.76	34.43	4.13	47.51	43.24	4.35	55.49	55.49	4.55	64.24	64.24	4.71	72.29	72.29	4.91
	2250	18.59	17.10	3.68	25.03	23.00	3.83	31.81	29.00	3.97	39.31	34.92	4.13	48.00	43.66	4.34	56.18	56.18	4.51	64.58	64.58	4.66	72.20	72.20	4.83

**NOTE:** When the required data falls between the published data, interpolation may be performed. Extrapolation is not an acceptable practice.

\* The Btuh heating capacity values shown are net integrated values from which the defrost effect has been subtracted. The Btuh heating from supplement heaters should be added to those values to obtain total Sys. capacity.

† The kW values include the compressor, outdoor fan motor, and indoor blower motor. The kW from supplement heaters should be added to these values to obtain total Sys. kilowatts.

EDB — Entering Dry Bulb

### System Description

Outdoor-mounted, air-cooled, split-system heat pump unit suitable for ground or rooftop installation. Unit consists of a hermetic compressor, an air-cooled coil, propeller-type condenser fan, and a control box. Unit will discharge supply air upward as shown on contract drawings. Unit will be used in a refrigeration circuit to match up to a packaged fan coil or coil unit.

### Quality Assurance

- Unit will be rated in accordance with the latest edition of AHRI Standard 240.
- Unit will be certified for capacity and efficiency, and listed in the latest AHRI directory.
- Unit construction will comply with latest edition of ANSI/ASHRAE and with NEC.
- Unit will be constructed in accordance with UL standards and will carry the UL label of approval. Unit will have C-UL approval.
- Unit cabinet will be capable of withstanding Federal Test Method Standard No. 141 (Method 6061) 500-hr salt spray test.
- Air-cooled condenser coils are pressure tested and the outdoor unit is leak tested.
- Unit constructed in ISO9001 approved facility.

### Delivery, Storage, and Handling

- Unit will be shipped as single package only and is stored and handled per unit manufacturer's recommendations.

### Warranty (for inclusion by specifying engineer)

- U.S. and Canada only.

## PRODUCTS

### Equipment

- Factory assembled, single piece, air-cooled heat pump unit. Contained within the unit enclosure is all factory wiring, piping, controls, compressor, refrigerant charge Puron® (R-410A), and special features required prior to field start-up.

### Unit Cabinet

- Unit cabinet will be constructed of galvanized steel, bonderized, and coated with a powder coat paint.
- Available with dense grille only.

### Fans

- Condenser fan will be direct-drive propeller type, discharging air upward.
- Condenser fan motors will be totally enclosed, 1-phase type with class B insulation and permanently lubricated bearings.
- Shafts will be corrosion resistant.
- Fan blades will be statically and dynamically balanced.
- Condenser fan openings will be equipped with steel wire safety guards.

### Compressor

- Compressor will be hermetically sealed.
- Compressor will be mounted on rubber vibration isolators.

### Condenser Coil

- Condenser coil will be air cooled.
- Coil will be constructed of aluminum fins mechanically bonded to copper tubes which are then cleaned, dehydrated, and sealed.

### Refrigeration Components

- Refrigeration circuit components will include liquid-line shutoff valve with sweat connections, vapor-line shutoff valve with sweat connections, system charge of Puron® (R-410A) refrigerant, POE compressor oil, accumulator, and reversing valve.

### Operating Characteristics

- The capacity of the unit will meet or exceed \_\_\_\_\_ Btuh at a suction temperature of \_\_\_\_\_ °F/°C. The power consumption at full load will not exceed \_\_\_\_\_ kW.
- Combination of the unit and the evaporator or fan coil unit will have a total net cooling capacity of \_\_\_\_\_ Btuh or greater at conditions of \_\_\_\_\_ CFM entering air temperature at the evaporator at \_\_\_\_\_ °F wet bulb and \_\_\_\_\_ °F/°C dry bulb, and air entering the unit at \_\_\_\_\_ °F/°C.
- The system will have a SEER of \_\_\_\_\_ Btuh/watt or greater at DOE conditions.

### Electrical Requirements

- Nominal unit electrical characteristics will be \_\_\_\_\_ v, single phase, 60 hz. The unit will be capable of satisfactory operation within voltage limits of \_\_\_\_\_ v to \_\_\_\_\_ v.
- Unit electrical power will be single point connection.
- Control circuit will be 24v.

### Special Features

- Refer to section of this literature identifying accessories and descriptions for specific features and available enhancements.

## SYSTEM DESIGN SUMMARY

1. Intended for outdoor installation with free air inlet and outlet. Outdoor fan external static pressure available is less than 0.01-in. wc.
2. Minimum outdoor operating air temperature without low-ambient operation accessory is 55°F (12.8°C).
3. Maximum outdoor operating air temperature for cooling mode is 125°F (51.7°C).
4. Minimum outdoor operating air temperature for heating mode is -30°F (-34.4°C).
5. Maximum outdoor operating air temperature for heating mode is 66°F (18.9°C).
6. For reliable operation, unit should be level in all horizontal planes.
7. For interconnecting refrigerant tube lengths greater than 80 ft (23.4 m) and/or elevation differences between indoor and outdoor units greater than 20 ft (6.1 m), consult Residential Piping and Longline Guideline and Service Manual available from equipment distributor.
8. If any refrigerant tubing is buried, provide a 6 in. (152.4 mm) vertical rise to the valve connections at the unit. Refrigerant tubing lengths up to 36 in. (914.4 mm) may be buried without further consideration. Do not bury refrigerant lines longer than 36 in. (914.4 mm).
9. Use only copper wire for electric connection at unit. Aluminum and clad aluminum are not acceptable for the type of connector provided.
10. Do not apply capillary tube indoor coils to these units.
11. Factory-supplied filter drier must be installed.



