

## Mini H Series - Heat Pump 1 Phase



208/230V~1Ph~60Hz

38VR004H11301S  
38VR004H113010  
38VR005H113010  
38VR006H113010

220-240V/1Ph~50Hz

38VR003H112010 38VR005H112010  
38VR004H11201S 38VR006H112010  
38VR004H112010

## Specifications 60Hz

Sole Model			38VR004H11301S	38VR004H113010	38VR005H113010	38VR006H113010	
Power supply		V-Ph-Hz	208/230V-1Ph~60Hz	208/230V-1Ph~60Hz	208/230V-1Ph~60Hz	208/230V-1Ph~60Hz	
Cooling	Capacity	kW	10.5	12	14	15.5	
		RT	3	3.4	4.0	4.4	
	Input	kW	2.68	3.25	3.95	4.52	
	EER	KBtu/h/kW	13.38	12.59	12.08	11.70	
Heating	Capacity	kW	11.5	13.2	15.4	17	
		RT	3.3	3.8	4.4	4.9	
	Input	kW	2.9	3.47	4.16	4.77	
Coneectable indoor unit	COP	KBtu/h/kW	13.55	12.97	12.62	12.15	
	Total capacity	%	50-130%	50-130%	50-130%	50-130%	
Coneectable indoor unit	Max.quantity		5	6	6	7	
	Outdoor sound level (*3)	dB(A)	57	57	57	57	
Pipe connections	Liquid side	mm	Φ9.53	Φ9.53	Φ9.53	Φ9.53	
	Gas side	mm	Φ15.9	Φ15.9	Φ15.9	Φ19.1	
Compressor	Type		Rotary	Rotary	Rotary	Rotary	
	Brand		mitsubishi	mitsubishi	mitsubishi	mitsubishi	
	Capacity	Btu/h	24330	33710	33710	47713	
	Input	W	2200	3010	3010	4240	
	Crankcase	W	25	27	25	20	
		Type		FV50S	FV50S	FV50S	FV50S
Refrigerant oil	ml		670	870	870	1400	
	Type		DC motor	DC motor	DC motor	DC motor	
Fan Motor	Quantity		1	2	2	2	
	Output	W	170	2 x 85	2 x 85	2 x 85	
	Air floor rate	CFM		3000	3531	3531	3531
		m <sup>3</sup> /h		5100	6000	6000	6000
Outdoor unit	Dimension(WxHxD)	mm	1075x966x396	900x1327x400			
	Packing (W x H x D)	mm	1120x1100x435	1030x1456x435			
	Net/Gross weight	kg	78/85	95/106	95/106	102/113	
Refrigerant	Type		R410a				
	Charged volume	kg	3	3.3	3.9	3.9	
Throttle type			EXV	EXV	EXV	EXV	
Design pressure		MPa	4.4/2.6	4.4/2.6	4.4/2.6	4.4/2.6	
Ambient temperature range	Cooling	°C	-15~43				
	Heating	°C	-15~27				

Note:

- The cooling conditions: indoor temp.: 27°C DB, 19°C WB outdoor temp.: 35°C DB equivalent pipe length: 5m drop length: 0m.
- The heating conditions: indoor temp.: 20°C DB, 15°C WB outdoor temp.: 7°C DB equivalent pipe length: 5m drop length: 0m.
- Sound level: Anechoic chamber conversion value, measured at a point 1 m in front of the unit at a height of 1.2m. During actual operation, these values are normally somewhat higher as a result of ambient conditions.
- The above data may be changed without notice for future improvement on quality and performance.

## Specifications 50Hz

Model			38VR003H112010	38VR004H11201S	38VR004H112010	38VR005H112010	38VR006H112010	
Power supply		V-Ph-Hz	220-240V/1Ph~50Hz	220-240V/1Ph~50Hz	220-240V/1Ph~50Hz	220-240V/1Ph~50Hz	220-240V/1Ph~50Hz	
Cooling	Capacity	kW	7.2 (1.5-8.0)	9.0 (2.0-10.0)	12.3	14	15.5	
		RT	2.3	3.0	3.5	4.0	4.4	
	Input	kW	1.85	2.30	3.25	3.95	4.52	
	EER	KBtu/h/kW	13.31	13.38	12.90	12.08	11.70	
Heating	Capacity	kW	7.2(1.6-8.4)	9.0(2.1-10.5)	13.2	15.4	17	
		RT	2.6	3.3	3.8	4.4	4.9	
	Input	kW	1.79	2.27	3.47	4.16	4.77	
Coneectable indoor unit	COP	KBtu/h/kW	13.72	13.55	12.97	12.62	12.15	
	Total capacity	%	50-130%	50-130%	50-130%	50-130%	50-130%	
Coneectable indoor unit	Max.quantity		4	5	6	6	7	
	Outdoor sound level (sound pressure level)	dB(A)	56	57	57	57	57	
Refrigerant Pipe	Liquid side	mm	Φ9.52	Φ9.52	Φ9.52	Φ9.52	Φ9.52	
	Gas side	mm	Φ15.9	Φ15.9	Φ15.9	Φ15.9	Φ19.1	
Compressor	Type		Rotary	Rotary	Rotary	Rotary	Rotary	
	Brand		mitsubishi	mitsubishi	mitsubishi	mitsubishi	mitsubishi	
	Capacity	Btu/h	24334	24334	33642	33642	47700	
	Crankcase	W	25	25	25	25	25	
	Refrigerant oil	ml		FV50S 670ml+200ml	FV50S 670ml+200ml	FV50S 870ml+630ml	FV50S 870ml+630ml	FV50S 1400ml+250ml
		Quantities		1	1	2	2	2
Fan motor	Type		DCmotor	DCmotor	DCmotor	DCmotor	DCmotor	
	Brand		Panasonic	Panasonic	Panasonic	Panasonic	Panasonic	
	Output	W	170	170	2*85	2*85	2*85	
	Air flow rate	m <sup>3</sup> /h		5500	5500	6000	6000	6000
CFM			3235	3235	3529	3529	3529	
Outdoor unit	Dimension(W*H*D)	mm	1075*966*396	1075*966*396	900*1327*400	900*1327*400	900*1327*400	
	Packing (W*H*D)	mm	1120x1100x435	1120*1100*435	1030*1456*435	1030*1456*435	1030*1456*435	
	Net/Gross weight	kg	75.5/85.5	75.5/85.5	95/106	95/106	100/111	
Refrigerant	Type		R410A	R410A	R410A	R410A	R410A	
	Charged volume	g	2800	3000	3300	3900	3900	
Throttle type			EXV	EXV	EXV	EXV	EXV	
Design pressure		MPa	4.4/2.6	4.4/2.6	4.4/2.6	4.4/2.6	4.4/2.6	
Ambient temp	Cooling	°C	-15~43					
	Heating	°C	-15~27					

## Mini H Series-Cooling Only 1 Phase

## ■ Specifications 50/60Hz

Model name		38VR003C11A010	38VR004C11A01S	38VR004C11A010	38VR005C11A010	38VR006C11A010	
Power supply	V-Ph-Hz	1-phase, 220-240V, 50Hz 1-phase, 208-230V, 60Hz					
Cooling <sup>1</sup>	Capacity	kW	7.2	9.2	11	14.5	17
	Power input	kW	1.64	2.13	2.75	3.57	4.24
	EER		4.39	4.32	4	4.06	4.26
Connected indoor units	Total capacity	45-130% of outdoor unit capacity					
	Maximum quantity		4	5	6	8	9
Compressor	Type	DC inverter					
	Quantity	1					
Fan motor	Motor Type	DC					
	Quantity	1					
Refrigerant	Type	R410A					
	Factory charging	kg	1.4	1.4	1.4	2.6	2.6
Pipe connections	Liquid pipe	mm	Φ9.53	Φ9.53	Φ9.53	Φ9.53	Φ9.53
	Gas pipe	mm	Φ15.9	Φ15.9	Φ15.9	Φ15.9	Φ15.9
Airflow rate		m <sup>3</sup> /h	3400	3400	3400	5100	5100
Sound pressure level <sup>2</sup>		dB(A)	54	54	54	55	55
Net dimensions (WxHxD)		mm	973x862x302	973x862x302	973x862x302	1053x865x523	1053x865x523
Packed dimensions (WxHxD)		mm	1025x910x410	1025x910x410	1025x910x410	1120x890x560	1120x890x560
Net weight		kg	58	58	58	85	85
Gross weight		kg	63	63	63	92	92
Operating temperature range		°C	Cooling: -5 to 48				

## Notes:

- Indoor air temperature 27°C (80.6 °F) DB, 19°C (66.2 °F) WB; outdoor air temperature 35°C (95 °F) DB; equivalent refrigerant piping length 7.5m (24.6ft.) with zero level difference.
- Sound pressure level is measured at a position 1m (3.28ft.) in front of the unit and 1.3m (4.26ft.) above the floor in a semi-anechoic chamber.
- For a system with more than one IDU, to ensure even distribution of refrigerant, the capacity of each indoor unit should not exceed 8kW.

## Super XS Series - Heat Pump 1 Phase

## ■ Specifications 50/60Hz

HP		3		4		4.5		
Model		38VR003H112016		38VR0S4H112016		38VR004H112016		
Power supply	V/N/Hz	220-240/1/ 50(60)						
Cooling <sup>1</sup>	Capacity	kW	8.0	10.0	12.0			
		kBtu/h	27.3	34.1	40.9			
	Power input	kW	2	2.55	3.1			
	EER		4	3.92	3.87			
Heating <sup>2</sup>	Capacity	kW	9.0	12.0	14.0			
		kBtu/h	30.7	40.9	47.8			
	Power input	kW	1.95	2.97	3.45			
	COP		4.62	4.04	4.06			
Connectable indoor unit	Total capacity	45~130% of outdoor unit capacity						
	Max. quantity		4	6	7			
Compressor	Type	DC inverter						
	Quantity	1						
Fan motor	Type	DC						
	Quantity	1						
Refrigerant	Type	R410A						
	Factory charge	kg	2.2	2.35	3			
Pipe connections <sup>3</sup>	Liquid pipe	mm	Φ9.53					
	Gas pipe	mm	Φ15.9					
Airflow rate		m <sup>3</sup> /h	3700	5200	5000			
Sound pressure level		dB(A)	54	54	56			
Net dimensions (WxHxD)		mm	982x712x440	950x840x426				
Packed dimensions (WxHxD)		mm	1048x810x485	1025x950x510				
Net weight		kg	53	71.5	83			
Gross weight		kg	57.5	81	92			
Operating temperature range		°C	Cooling: -5~55, Heating: -15~27					

HP		5		6		
Model		38VR005H112016		38VR006H112016		
Power supply	V/N/Hz	220-240/1/ 50(60)				
Cooling <sup>1</sup>	Capacity	kW	14.0	15.5		
		kBtu/h	47.8	52.9		
	Power input	kW	3.75	4.8		
	EER		3.73	3.23		
Heating <sup>2</sup>	Capacity	kW	16.0	18.0		
		kBtu/h	54.6	61.4		
	Power input	kW	3.85	4.65		
	COP		4.16	3.87		
Connectable indoor unit	Total capacity	45~130% of outdoor unit capacity				
	Max. quantity		8	9		
Compressor	Type	DC inverter				
	Quantity	1				
Fan motor	Type	DC				
	Quantity	1				
Refrigerant	Type	R410A				
	Factory charge	kg	3.4	3.8		
Pipe connections <sup>3</sup>	Liquid pipe	mm	Φ9.53			
	Gas pipe	mm	Φ15.9			
Airflow rate		m <sup>3</sup> /h	5400	5200		
Sound pressure level		dB(A)	56	56		
Net dimensions (WxHxD)		mm	1040x865x523			
Packed dimensions (WxHxD)		mm	1120x980x560			
Net weight		kg	90.4	94.4		
Gross weight		kg	100.4	104.4		
Operating temperature range		°C	Cooling: -5~55, Heating: -15~27			

## Notes:

- Indoor temperature 27°C DB, 19°C WB; outdoor temperature 35°C DB; equivalent refrigerant piping length 7.5m with zero level difference.
- Indoor temperature 20°C DB; outdoor temperature 7°C DB, 6°C WB; equivalent refrigerant piping length 7.5m with zero level difference.
- Sound pressure level is measured at a position 1m in front of the unit and 1m above the floor in a semi-anechoic chamber.

## Super XS Series-Heat Pump 3 Phase

## ■ Specifications 50/60Hz

HP			7	8	9	10	12
Model			38VR007H119016	38VR008H119016	38VR009H119016	38VR010H119016	38VR012H119016
Power supply	V/N/Hz	380-415/3/50(60)					
Cooling <sup>1</sup>	Capacity	kW	20	22.4	26	28.5	33.5
		kBtu/h	68.2	76.4	88.7	97.2	114.3
	Power input	kW	5.6	6.3	7.6	8.4	9.2
	EER		3.57	3.56	3.42	3.39	3.64
Heating <sup>2</sup> (Nominal)	Capacity	kW	20	22.4	26	28.5	33.5
		kBtu/h	68.2	76.4	88.7	97.2	114.3
	Power input	kW	4.7	5.3	6.6	7.3	8.1
	COP		4.26	4.23	3.94	3.9	4.14
Heating <sup>2</sup> (Max)	Capacity	kW	22.5	25	28.5	31.5	37.5
		kBtu/h	76.8	85.3	97.2	107.5	128.0
	Power input	kW	5.4	6	7.3	8.1	9.2
	COP		4.17	4.17	3.9	3.89	4.08
Connected indoor unit	Total capacity	50-130% of outdoor unit capacity					
	Maximum quantity		11	13	15	16	20
Compressor	Type	DC inverter					
	Quantity	1					
Fan motors	Type	DC					
	Quantity	2					
Refrigerant	Type	R410A					
	Factory charge	kg	6.5	6.5	6.5	6.5	8
Pipe connections <sup>3</sup>	Liquid pipe	mm	Φ9.53	Φ9.53	Φ9.53	Φ9.53	Φ12.7
	Gas pipe	mm	Φ19.1	Φ19.1	Φ22.2	Φ22.2	Φ25.4
Airflow rate	m <sup>3</sup> /h	9000	9000	10000	11000	11300	
Sound pressure level <sup>4</sup>	dB(A)	58	58	59	60	61	
Net dimensions (WxHxD)	mm	1120x1558x528					
Packed dimensions (WxHxD)	mm	1270x1720x565					
Net weight	kg	143	144	144	144	157	
Gross weight	kg	159	160	160	160	173	
Operating temperature range	Cooling	°C	-5 to 55				
	Heating	°C	-20 to 24				

## Notes:

- Indoor temperature 27°C DB, 19°C WB; outdoor temperature 35°C DB; equivalent refrigerant piping length 7.5m with zero level difference.
- Indoor temperature 20°C DB; outdoor temperature 7°C DB, 6°C WB; equivalent refrigerant piping length 7.5m with zero level difference.
- Diameters given are those of the unit's stop valves.
- Sound pressure level is measured at a position 1m in front of the unit and 1m above the floor in a semi-anechoic chamber.

## Super XS Series – Cooling Only 3 Phase

## ■ Specifications 50/60Hz

HP			7	8	9	10	
Model			38VR007C119016	38VR008C119016	38VR009C119016	38VR010C119016	
Power supply	V/N/Hz	380-415/3/50					
Cooling <sup>1</sup>	Capacity	kW	20.0	22.4	26.0	28.0	
		kBtu/h	68.2	76.4	88.7	95.5	
	Power Input	kW	5.13	5.93	7.43	8.24	
EER		3.9	3.78	3.5	3.4		
Connected indoor unit	Total Capacity	50-130% of outdoor unit capacity					
	Maximum Quantity		10	13	15	16	
Compressor	Type	DC inverter					
	Quantity	1					
Fan	Type	AC					
	Quantity	2					
Refrigerant	Type	R410A					
	Factory charging	kg	3.9				
Pipe connections	Liquid pipe	mm	Φ9.53				
	Gas pipe	mm	Φ19.1				
Airflow rate	m <sup>3</sup> /h	7150					
Sound pressure level <sup>2</sup>	dB(A)	57	57	58	59		
Net dimensions (WxHxD)	mm	902x1327x370					
Packed dimensions (WxHxD)	mm	1030x1456x435					
Net weight	kg	115					
Gross weight	kg	125					
Operating temperature range	°C	-5 ~ 55					

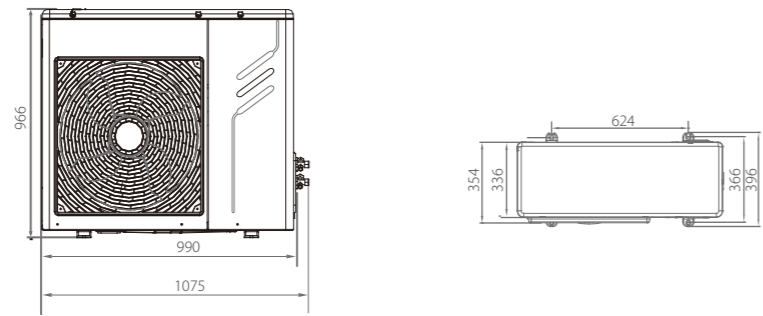
HP			7	8	9	10	
Model			38VR007C118016	38VR008C118016	38VR009C118016	38VR010C118016	
Power supply	V/N/Hz	380-415/3/60					
Cooling <sup>1</sup>	Capacity	kW	20.0	22.4	26.0	28.0	
		kBtu/h	68.2	76.4	88.7	95.5	
	Power Input	kW	5.13	5.93	7.43	8.24	
EER		3.9	3.78	3.5	3.4		
Connected indoor unit	Total Capacity	50-130% of outdoor unit capacity					
	Maximum Quantity		10	13	15	16	
Compressor	Type	DC inverter					
	Quantity	1					
Fan	Type	AC					
	Quantity	2					
Refrigerant	Type	R410A					
	Factory charging	kg	3.9				
Pipe connections	Liquid pipe	mm	Φ9.53				
	Gas pipe	mm	Φ19.1				
Airflow rate	m <sup>3</sup> /h	7150					
Sound pressure level <sup>2</sup>	dB(A)	58	58	59	60		
Net dimensions (WxHxD)	mm	902x1327x370					
Packed dimensions (WxHxD)	mm	1030x1456x435					
Net weight	kg	115					
Gross weight	kg	125					
Operating temperature range	°C	-5 ~ 55					

## Notes:

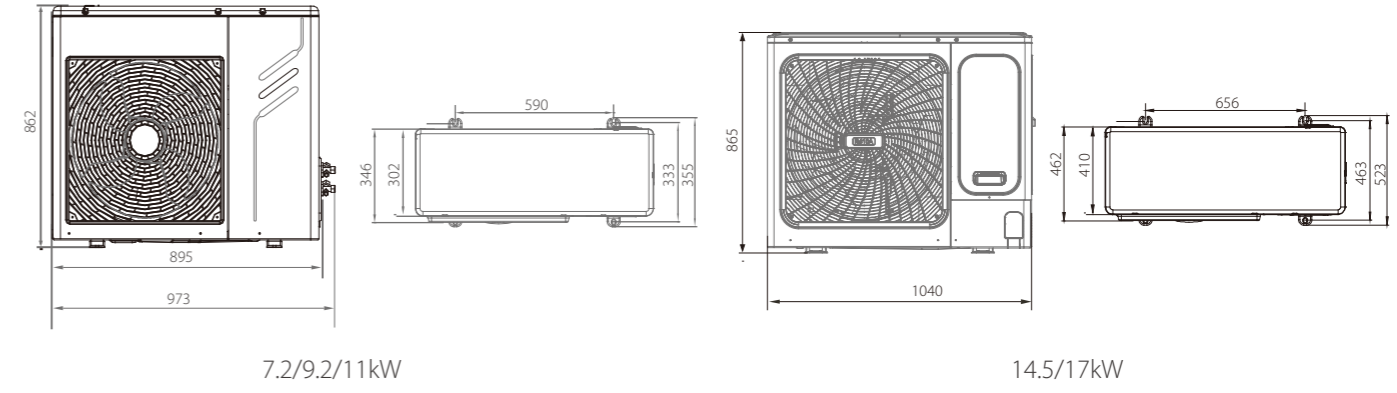
- Indoor temperature 27°C DB, 19°C WB; outdoor temperature 35°C DB; equivalent refrigerant piping length 7.5m with zero level difference.
- Sound pressure level is measured at a position 1m in front of the unit and 1m above the floor in a semi-anechoic chamber.

## Dimension

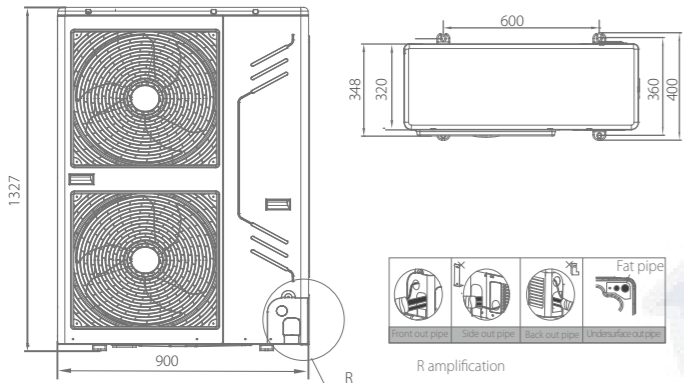
### Mini H Series unit Heat Pump 8/10.5kW



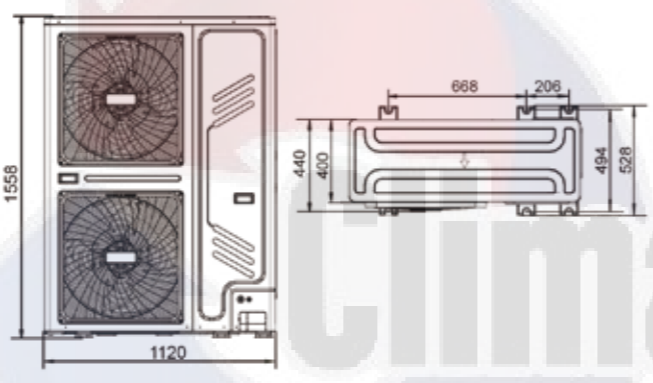
### Mini H Series-Cooling Only



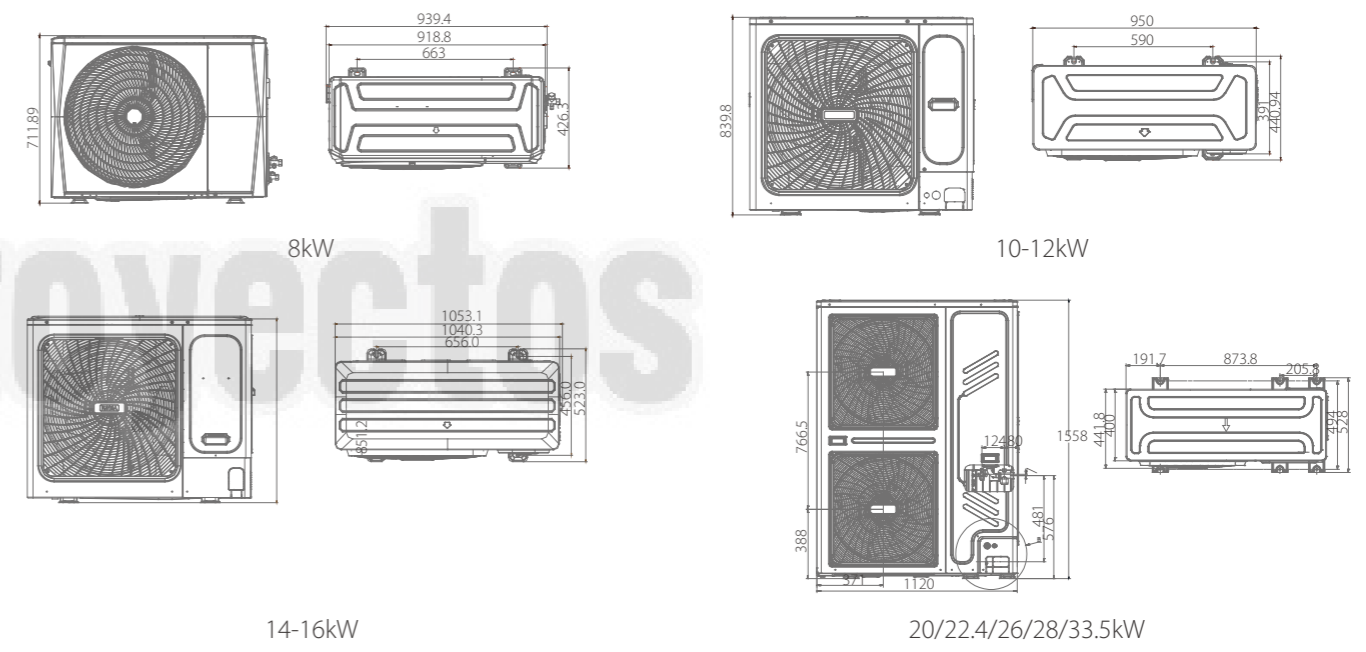
### 12/14/15.5/17.5kW



### 20/22.4/26/28/33.5kW



### Super XS-Heat Pump



### 40/45kW

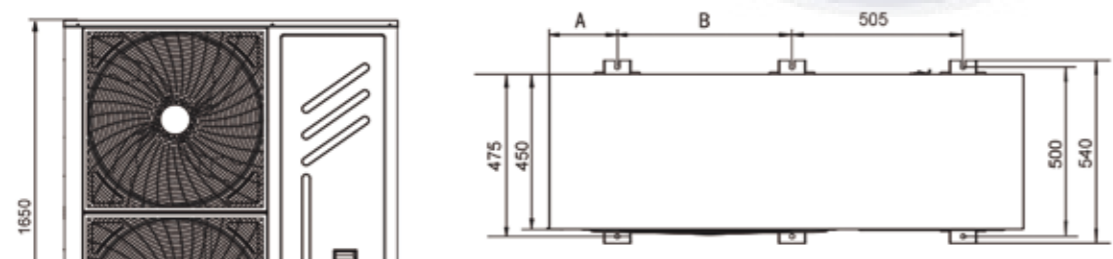


Table 4-1

Model \ Size	A	B	C
40kW	175	505	1360
45kW	225	555	1460

### Super XS-Cooling Only

