

Specification

Nominal Tonnage		3ton	5ton
Model		MRC-36HWD1N1-M17A	MRC-60HWD1N1-M17A
ARI COOLING PERFORMANCE			
ARI net capacity	Btu/h(kW)	34200 (10)	57000 (16)
EER	-	9.5	9.5
SEER	-	17	17
Nominal CFM	CFM	1300	1850
System power	kW	3.6	6
Refrigerant type	-	R410a	
Refrigerant charge	lb-oz	5-12	7-15
ARI HEATING PERFORMANCE			
47°F capacity rating	Btu/h(kW)	34600 (10)	57000 (16)
System power	kW	2.85	4.75
HSPF	BTU/Watts-hr.	9.0	9.0
DIMENSIONS			
Net dimensions (WxHxD)	inch	52x24-13/16x37-3/4	58-1/2x33-1/16x42-1/16
	mm	1321x630x958	1486x1068x840
Packed dimensions(WxHxD)	inch	52-3/4x25-13/16x38	59-1/4x34-1/16x42-1/4
	mm	1340x655x965	1505x1073x865
Net/Gross weight	lbs	320/326	434/443
	kg	145/148	197/201
COMPRESSORS			
Type	-	Rotary	
Quantity	-	1	
CONDENSER COIL DATA			
Face area	Sq. Ft	9.8	14.4
Rows	-	2	
Fins per inch	inch	20	
Tube diameter	inch	9/32	
Circuitry type	-	interlaced	
EVAPORATOR COIL DATA			
Face area	Sq. Ft	3.63	6.43
Rows	-	4	
Fins per	inch	17	
Tube diameter	inch	9/32	
Circuitry type	-	interlaced	
Refrigerant control	-	EEV	
CONDENSER FAN DATA			
Fan diameter	inch	22	23-5/8
Type	-	Prop	
Drive type	-	Direct	
Number of motors	-	1	
RPM	r/min	200~980	
Nominal total CFM	CFM	2850	3400
DIRECT DRIVE EVAP FAN DATA			
Quantity	-	1	1
Fan size	inch	10x9	11x10-5/8
Type	-	Centrifugal	
RPM	r/min	1050	
Electrical Data			
Voltage-phase-Hz	-	208/230-1-60	
Min / Max Volts	V	173 / 269	
Minimum circuit ampacity	A	25.1	41.8
Max. overcurrent protection	A	40	60
Operating Range			
Cooling	°F	40-120	
Heating	°F	5-86	

Midea Building Technologies Division

Midea Group

Add.: Midea Headquarters Building, 6 Midea Avenue, Shunde, Foshan, Guangdong, China

Postal code: 528311

mbt.midea.com www.midea-group.com



Note: Product specifications change from time to time as product improvements and developments are released and may vary from those in this document.



DC Inverter Rooftop Package

Up to 17 SEER
Heat Pump 3/5 Ton

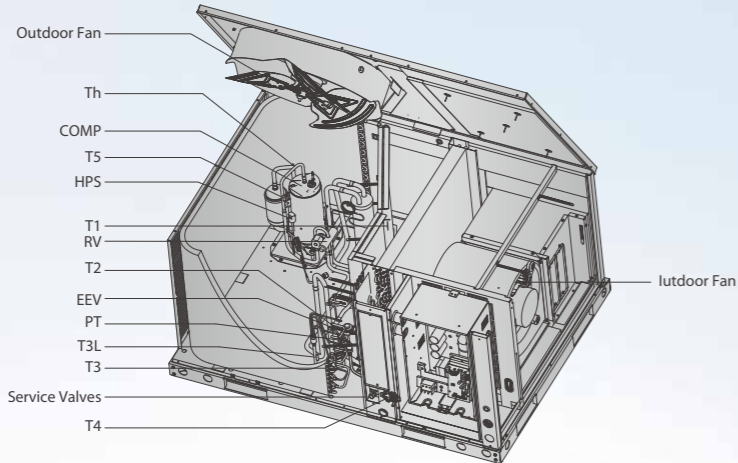


Features

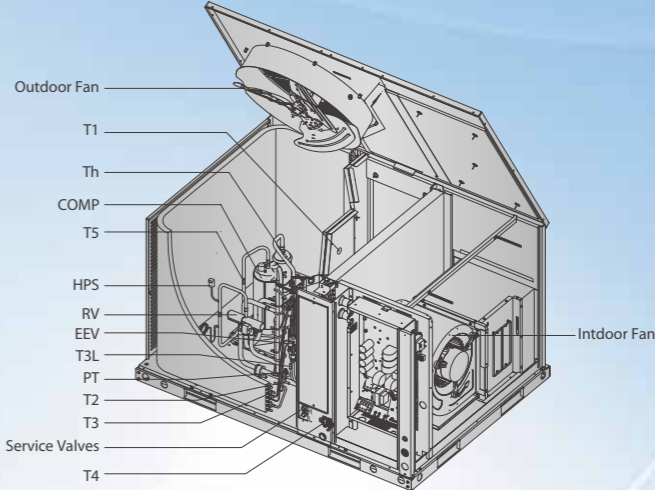
- ❖ High efficiency, 17 SEER
- ❖ Inverter technology, more quiet operation
- ❖ ECM indoor fan motor, saving more operation cost
- ❖ Compatible with 24V wired controller
- ❖ Auto fan is standard (4 fan speed)
- ❖ Cold air prevention function, more comfortable
- ❖ Multiple system protection
- ❖ Intelligent oil return technology

Component Location and Unit Dimensions

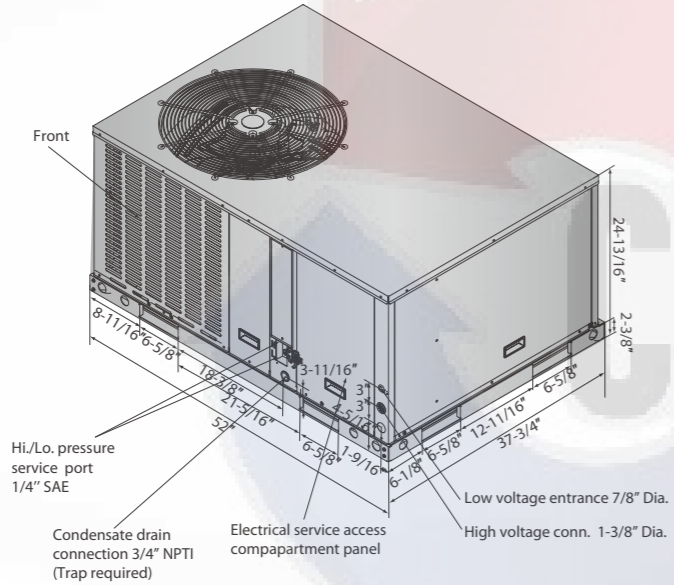
3ton model Component Location



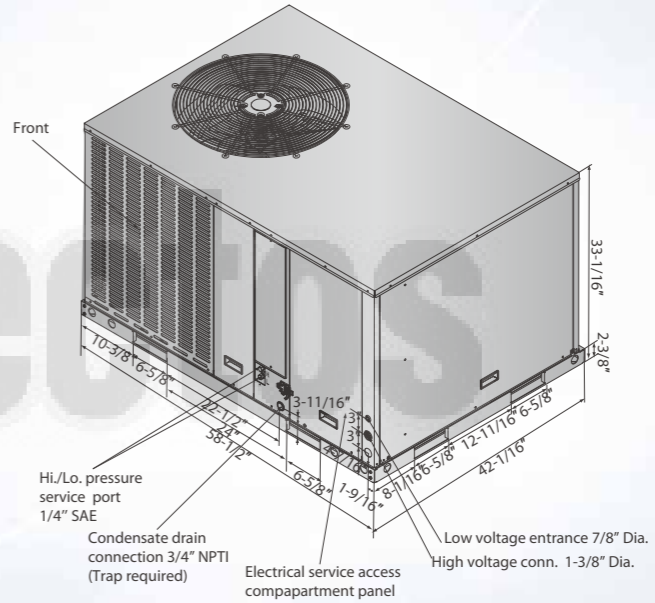
5ton model Component Location



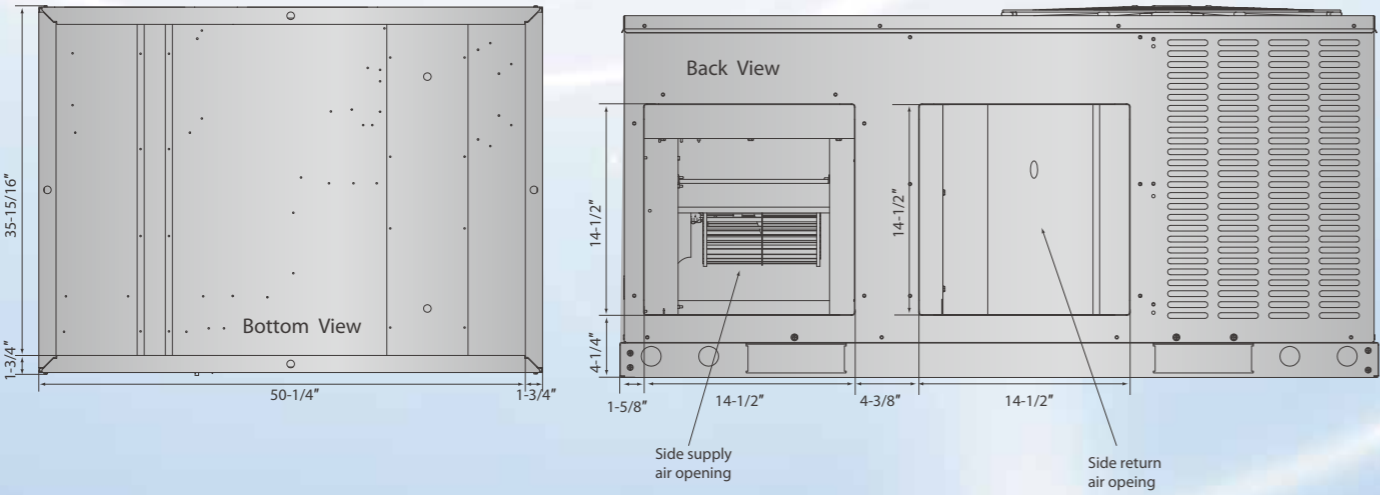
Unit Dimensions



Unit Dimensions



Unit Dimensions Back and Bottom



Unit Dimensions Back and Bottom

