

R410A

Midea

Commercial Air Conditioners

# Full DC Inverter Mini VRF

## 10.5kW~18kW 60Hz

### Features

- ❖ High efficiency DC twin rotary compressor.
- ❖ Compact and high performance DC fan motors.
- ❖ Large, powerful propeller fan.
- ❖ Low noise, quiet operation.
- ❖ Flexible piping configurations.
- ❖ Wide operating range - Cooling: from -15°C (5°F) to 43°C (109.4°F); Heating: from -15°C (5°F) to 27°C (75.2°F).
- ❖ Flexible indoor connection options including duct, cassette, wall mounted, ceiling & floor.
- ❖ Self-diagnosis and system check functions, simple maintenance.



### Specifications - 1Ph

Model	MDV-V105W/DVN1	MDV-V120W/DVN1	MDV-V140W/DVN1	MDV-V160W/DVN1	MDV-V180W/DVN1		
Power supply	208-230V~, 1Ph, 60Hz						
Cooling	Capacity	kW	10.5	12.0	14.0	15.5	17.5
	Power input	kW	2.68	3.25	3.95	4.52	5.30
	EER		3.92	3.69	3.54	3.43	3.30
Heating	Capacity	kW	11.5	13.2	15.4	17.0	19.0
	Power input	kW	2.90	3.47	4.16	4.77	5.00
	COP		3.97	3.80	3.70	3.56	3.80
Connectable indoor units	Total capacity range	45%~130% of outdoor unit capacity					
	Max. quantity of IDUs	5	6	6	7	9	
Compressor	DC inverter, twin rotary						
Motor	DC brushless						
Refrigerant	Type	R410A	R410A	R410A	R410A	R410A	
	Charged volume	3.0 kg / 6.62 lbs	3.3 kg / 7.28 lbs	3.9 kg / 8.60 lbs	3.9 kg / 8.60 lbs	4.5 kg / 9.92 lbs	
Sound pressure level	dB(A)	57	57	57	57	59	
Piping connections (Liquid , Gas pipe)	mm	Φ9.5 , Φ15.9	Φ9.5 , Φ15.9	Φ9.5 , Φ15.9	Φ9.5 , Φ19.1	Φ9.5 , Φ19.1	
	inch	3/8 , 5/8	3/8 , 5/8	3/8 , 5/8	3/8 , 3/4	3/8 , 3/4	
Dimension (WxHxD)	mm	1,075x966x396				900x1,327x400	
	inch	42-5/16 x 38 x 15-9/16				35-1/2 x 52-1/4 x 15-3/4	
Packing (WxHxD)	mm	1,120x1,100x435				1,030x1,456x435	
	inch	44-1/16 x 43-5/16 x 17-1/8				40-9/16 x 57-5/16 x 17-1/8	
Net/ Gross weight	kg	78/85	95/106	95/106	102/113	107/118	
	lbs	172/187	209/234	209/234	225/249	236/260	

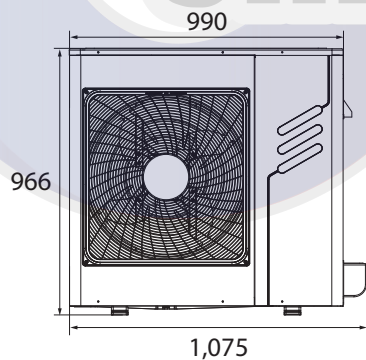
Notes:  
 Cooling capacities are based on the conditions - Indoor temperature 27°C DB/19°C WB, outdoor temperature 35°C DB/24°C WB, piping length is 7.5m and level difference is 0.  
 Heating capacities are based on the conditions - Indoor temperature 20°C DB/15°C WB, outdoor temperature 7°C DB/6°C WB, piping length is 7.5m and level difference is 0.

# Specifications - 3Ph

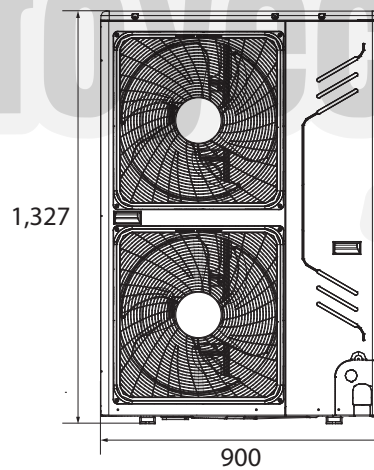
Model		MDV-V120W/DCN1	MDV-V140W/DCN1	MDV-V160W/DCN1	
Power supply		380-415V~, 3Ph, 60Hz			
Cooling	Capacity	kW	12.0	14.0	15.5
	Power input	kW	3.25	3.95	4.52
	EER		3.69	3.54	3.43
Heating	Capacity	kW	13.2	15.4	17.0
	Power input	kW	3.47	4.16	4.77
	COP		3.80	3.70	3.56
Connectable indoor units	Total capacity range	45%~130% of outdoor unit capacity			
	Max. quantity of IDUs	6	6	7	
Compressor		DC inverter, twin rotary			
Motor		DC brushless			
Refrigerant	Type	R410A		R410A	
	Charged volume	3.3 kg / 7.28 lbs		3.9 kg / 8.60 lbs	
Sound pressure level	dB(A)	57		57	
Piping connections (Liquid , Gas pipe)	mm	Φ9.5 , Φ15.9		Φ9.5 , Φ19.1	
	inch	3/8 , 5/8		3/8 , 3/4	
Dimension (W×H×D)	mm	900×1,327×400		900×1,327×400	
	inch	35-1/2 × 52-1/4 × 15-3/4		35-1/2 × 52-1/4 × 15-3/4	
Packing (W×H×D)	mm	1,030×1,456×435		1,030×1,456×435	
	inch	40-9/16 × 57-5/16 × 17-1/8		40-9/16 × 57-5/16 × 17-1/8	
Net/ Gross weight	kg	92/106		102/113	
	lbs	203/234		225/249	

## Dimensions (unit: mm)

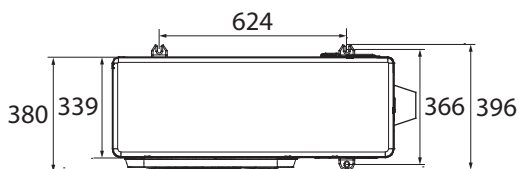
Front view (Model: 105)



Front view (Model: 120, 140, 160, 180)



Top view (Model: 105)



Top view (Model: 120, 140, 160, 180)



Dealer information



GD Midea Heating & Ventilating Equipment Co., Ltd.  
Is certified under the ISO 14001 International standard  
for environmental management.  
Certificate No. 15912E10020R0L



GD Midea Heating & Ventilating Equipment Co., Ltd.  
Certificate of Occupational Health and Safety Management System  
Certificate No. 15912S20006R0L-1.



GD Midea Heating & Ventilating Equipment Co., Ltd.  
Is certified under the ISO 9001 International standard  
for quality assurance.  
NO.01 100 019209



**Commercial Air Conditioner Division  
Midea Group**

Address: Midea Headquarters Building, 6 Midea Avenue, Beijingiao,  
Shunde,  
Foshan, Guangdong, China  
Postal code: 528311

Tel: +86-757-26338346 Fax: +86-757-22390205  
cac.midea.com global.midea.com

Note: Product specifications change from time to time as product  
improvements and developments are released and may vary from  
those in this document.