



Product Submittal

MRCT-250CWN1-Z(C)

Submittals Information

Project name	Project Ref
Client Name	Client Address
Country/City	Print Date

Cooling Performance Data

Total Cooling Capacity	300,000 btu/h	Cooling Outdoor DB	95°F
Sensible Cooling Capacity	219,600 btu/h	Cooling Indoor DB/WB	80°F /67°F
Cooling Power Input	28.0 kW		
EER	10.71 btu/h.W		

Supply Fan Performance Data

Supply Air Flow	11,500 CFM	Supply Motor RPM	/
ESP	0.52 in.wg	Supply Motor Power	7.67 hp
Fan Type/Qty.	Centrifugal / 2	Supply Motor Qty.	1
Drive Type	Belt		

General Data

Refrigerant Type	R410a	Net Dimension WxHxD	91.3" x 49.0" x 87.4"
Compressors Type/Brand	Scroll/Copeland	Package Dimension WxHxD	91.7" x 50.2" x 87.8"
No. of Compressors	2	Net Weight	1969 lb
No. of Stages	2	Gross Weight	2035 lb
Throttle Device	Capillary		

Sound Data

Sound Pressure Level	79.2 dB(A)
----------------------	------------

Electrical Data

Power Supply	460V,3Ph,60Hz	Compressor RLA	21.4A + 21.4A
MCA	66.2A	Compressor LRA	147A + 147A
MOP	87.6A	Supply Fan FLA	9.4A
		Condenser Fan FLA	4.3A + 4.3A
		Condenser Fan Motor Power	3.69hp + 3.69hp

Features

Horizontal supply and return air
Reliable scroll compressor
Adjustable pulley for the indoor fan
Compatible with 3rd party 24V thermostat
Durable construction with pre-painted exterior cabinet with
1000 hours salt spray test

Included Options

Model	Description
KJR-12B	Wired Controller

Optional Accessories List

Model	Description
KJR-29B	Wired Controller
KJR-25B	Wired Controller, 24V, Universal
NIM01	Central Control Interface
CCM30	Central Controller
KQGLW-870A	G2 Filter

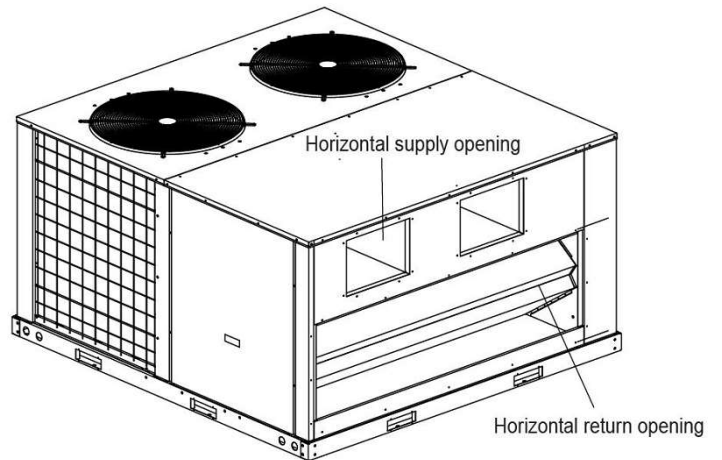
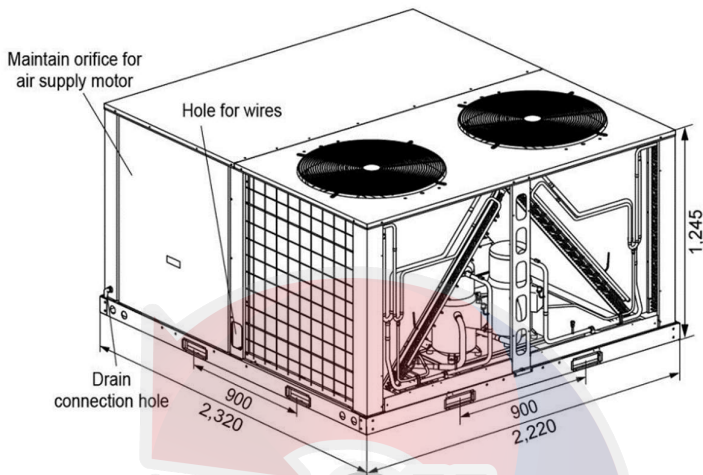
Climaproyectos

Product Submittal

MRCT-250CWN1-Z(C)

Dimension Drawings

Dimensions (Unit: mm): MRCT-250CWN1-Z(C)



Climaproyectos

