



Product Submittal

MRCT-300CWN1-D(C)

Submittals Information

Project name	Project Ref
Client Name	Client Address
Country/City	Print Date

Cooling Performance Data

Total Cooling Capacity	358,300 btu/h	Cooling Outdoor DB	95°F
Sensible Cooling Capacity	270,000 btu/h	Cooling Indoor DB/WB	80°F /67°F
Cooling Power Input	37.3 kW		
EER	9.6 btu/h.W		

Supply Fan Performance Data

Supply Air Flow	11,000 CFM	Supply Motor RPM	1130
ESP	1.08 in.wg	Supply Motor Power	10.05 hp
Fan Type/Qty.	Centrifugal / 2	Supply Motor Qty.	1
Drive Type	Belt		

General Data

Refrigerant Type	R410a	Net Dimension WxHxD	91.3" x 49.0" x 87.4"
Compressors Type/Brand	Scroll/Copeland	Package Dimension WxHxD	91.7" x 50.2" x 87.8"
No. of Compressors	2	Net Weight	2068 lb
No. of Stages	2	Gross Weight	2134 lb
Throttle Device	Capillary		

Sound Data

Sound Pressure Level	81.0 dB(A)
----------------------	------------

Electrical Data

Power Supply	220V,3Ph,60Hz	Compressor RLA	43.3A + 43.3A
MCA	142.1A	Compressor LRA	315A + 315A
MOP	185.3A	Supply Fan FLA	26.7A
		Condenser Fan FLA	9.0A + 9.0A
		Condenser Fan Motor Power	2.95hp + 2.95hp

Features

Horizontal supply and return air
Reliable scroll compressor
Adjustable pulley for the indoor fan
Compatible with 3rd party 24V thermostat
Durable construction with pre-painted exterior cabinet with
1000 hours salt spray test

Included Options

Model	Description
KJR-12B	Wired Controller

Optional Accessories List

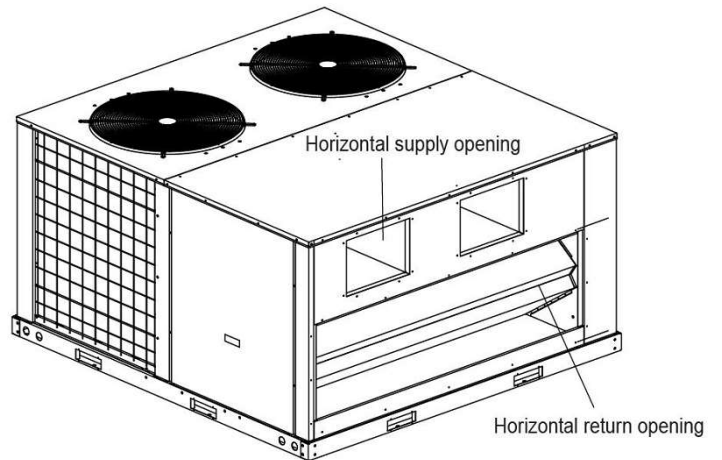
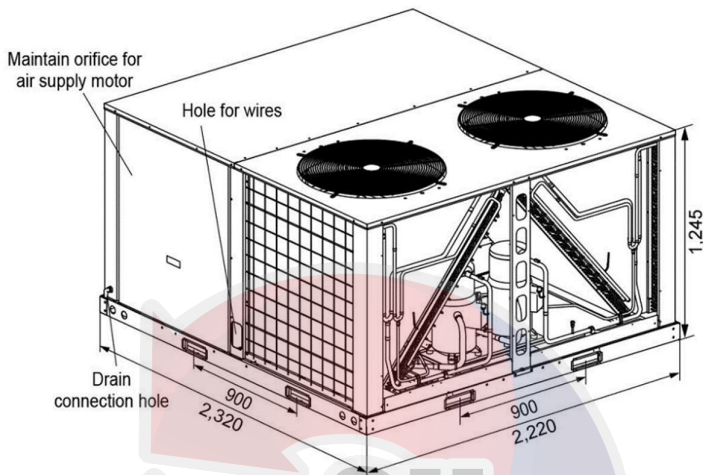
Model	Description
KJR-29B	Wired Controller
KJR-25B	Wired Controller, 24V, Universal
NIM01	Central Control Interface
CCM30	Central Controller
KQGLW-870A	G2 Filter

Product Submittal

MRCT-300CWN1-D(C)

Dimension Drawings

Dimensions (Unit: mm): MRCT-300CWN1-D(C)



Climaproyectos

