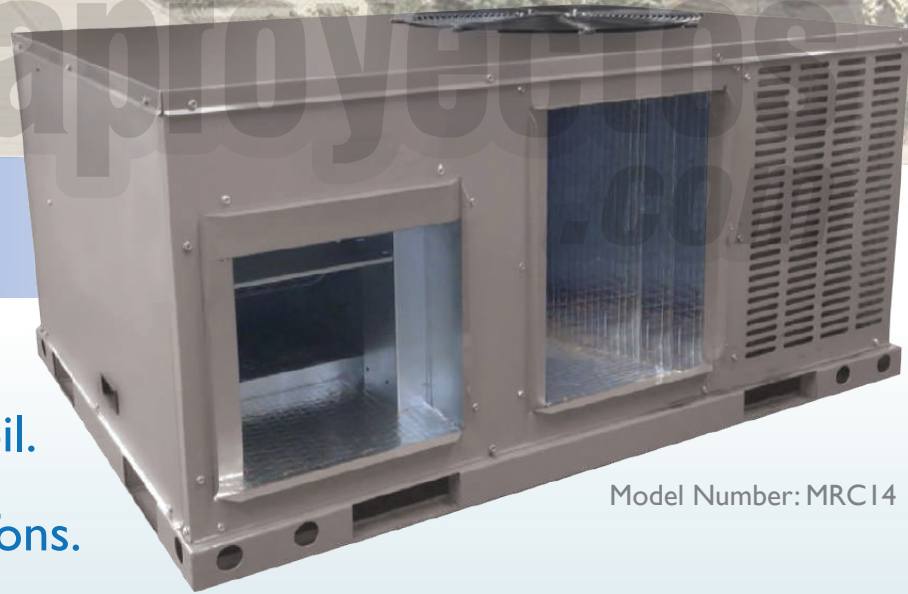




Key Features

- Quiet horizontal discharge.
- Copper tube/aluminum fin coil.
- Wide-capacity range, 2 to 5 Tons.
- Architecturally compatible power coated.
- Electric heat kit available as a field-installed option
- Internal safeguards protect compressor against high pressure, low pressure, coil temperature and power surge.
- High-efficiency compressors operate smoothly, quietly, consistently



Model Number: MRC14

(2 - 5 Ton Capacities)

(One piece no leak top design)

(Super quiet design wire grille)



(Internal safeguards protects compressor)

(Pro-Tuff full wrap around hail guard)

(500 hour Salt Spray coated coils throughout)

(Full perimeter base rail)

(Optimized air flow)

(Insulated cabinet throughout)

(Powder coated painted)

(Horizontal or down flow application)

(Low profile Compact footprint)

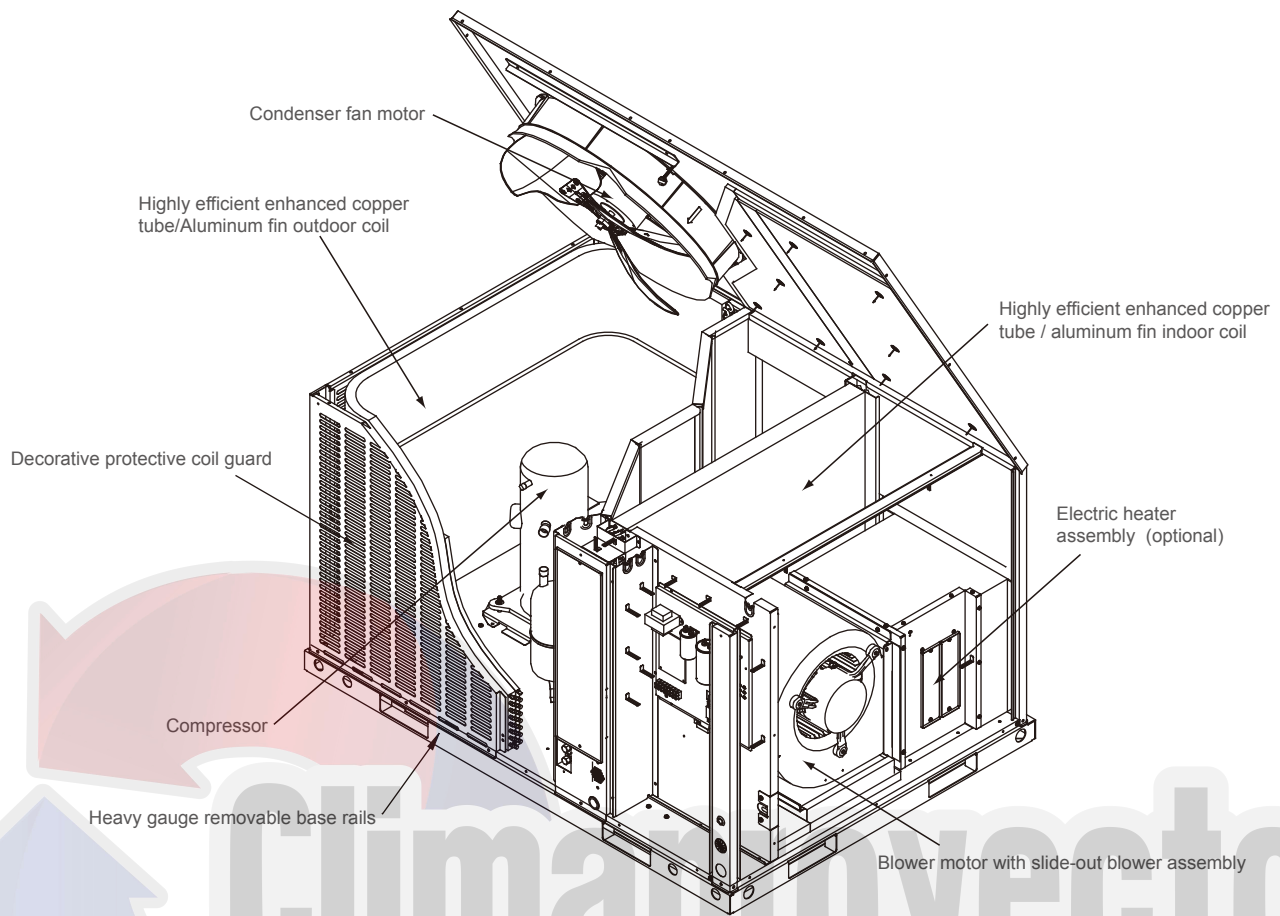
Model Number: MRC14

Unit Model	Width	Depth	Height	Tonnage
MRC24HWNIM14	52"	37 3/4"	25"	2.0
MRC30HWNIM14	52"	37 3/4"	25"	2.5
MRC36HWNIM14	52"	37 3/4"	25"	3.0
MRC42HWNIM14	58"	42"	33 1/4"	3.5
MRC48HWNIM14	58"	42"	33 1/4"	4.0
MRC60HWNIM14	58"	42"	33 1/4"	5.0

See More Midea Products
And Information At
mideaac.com



Component Location



Dealer information

Commercial Air Conditioner Business Units Midea Group

Add: West Region of Midea Commercial Air Conditioner Department, Industry Avenue,
Beijiao, Shunde, Foshan, Guangdong, P. R. China

Postal code: 528311

Tel: +86-757-26338346 Fax: +86-757-22390205

<http://global.midea.com.cn>

<http://www.midea.com>

Note: The data in this book may be changed without notice for further improvement
on quality and performance.

14 SEER HP Package Units-Specifications

Sale Model			MRC-24HWN1-M14T	MRC-30HWN1-M14T	MRC-36HWN1-M14L
Power supply		V-Ph-Hz	208/230-1-60Hz	208/230-1-60Hz	208/230-1-60Hz
Cooling	Capacity	Btu/h	22800	30000	34200
	SEER	Btu/h.W	14.0	14.0	14.0
Heating	Capacity	Btu/h	22400	30000	34200
	HSPF	Btu/h.W	8	8	8
MCA		A	13.7	20.1	21
MOP		A	20	30	30
Compressor	Type		Rotary	Rotary	Scroll
	Capacitor	uF	50	55	45
	Rated current(RLA)	A	8.45	12	13
	Locked rotor(LRA)	A	34.8	59.93	75
Indoor fan motor	Type		PSC	ECM	ECM
	Output	HP	1/4	1/2	1/2
	Capacitor	uF	15	/	/
	RPM	r/min	1075	1075	1075
Side supply duct dimensions(W*D)		inch	14-1/2x14-1/2	14-1/2x14-1/2	14-1/2x14-1/2
Side return duct dimensions(W*D)		inch	14-1/2x18	14-1/2x18	14-1/2x18
Outdoor fan motor	Type		PSC	PSC	PSC
	Output	HP	1/8	1/6	1/6
	Capacitor	uF	6	6	6
	RPM	r/min	1075	825	825
Outdoor sound level(sound pressure level)		dB(A)	67.5	67.5	67.5
Outdoor unit	Dimension(W*H*D)	inch	52x24-13/16x37-3/4	52x24-13/16x37-3/4	52x24-13/16x37-3/4
	Packing(W*H*D)	inch	52-3/8x25-7/8x38-5/8	52-3/8x25-7/8x38-5/8	52-3/8x25-7/8x38-5/8
	Net/Gross weight	lbs	326/333	346/353	351/357
Shipping (40HQ)			84	84	84

Sale Model			MRC-42HWN1-M14L	MRC-48HWN1-M14L	MRC-60HWN1-M14L
Power supply		V-Ph-Hz	208/230-1-60Hz	208/230-1-60Hz	208/230-1-60Hz
Cooling	Capacity	Btu/h	40500	46500	57000
	SEER	Btu/h.W	14.0	14.0	14.0
Heating	Capacity	Btu/h	40000	46500	57000
	HSPF	Btu/h.W	8	8	8
MCA		A	23.5	26.9	34.6
MOP		A	30	40	50
Compressor	Type		Scroll	Scroll	Scroll
	Capacitor	uF	45	70	75
	Rated current(RLA)	A	15.2	17.3	21.5
	Locked rotor(LRA)	A	112.3	108	125
Indoor fan motor	Type		PSC	PSC	ECM
	Output	HP	3/4	3/4	3/4
	Capacitor	uF	15	20	/
	RPM	r/min	1075	1075	1075
Side supply duct dimensions(W*D)		inch	14-1/2x14-1/2	14-1/2x14-1/2	14-1/2x14-1/2
Side return duct dimensions(W*D)		inch	14-1/2x24	14-1/2x24	14-1/2x24
Outdoor fan motor	Type		PSC	PSC	PSC
	Output	HP	1/3	1/3	1/3
	Capacitor	uF	15	15	15
	RPM	r/min	1075	1075	1075
Outdoor sound level(sound pressure level)		dB(A)	67.5	67.5	67.5
Outdoor unit	Dimension(W*H*D)	inch	58-1/2x33-1/16x42-1/16	58-1/2x33-1/16x42-1/16	58-1/2x33-1/16x42-1/16
	Packing(W*H*D)	inch	58-15/16x34-3/16x42-3/8	58-15/16x34-3/16x42-3/8	58-15/16x34-3/16x42-3/8
	Net/Gross weight	lbs	463/472	463/472	479/487
Shipping (40HQ)			48	48	48

