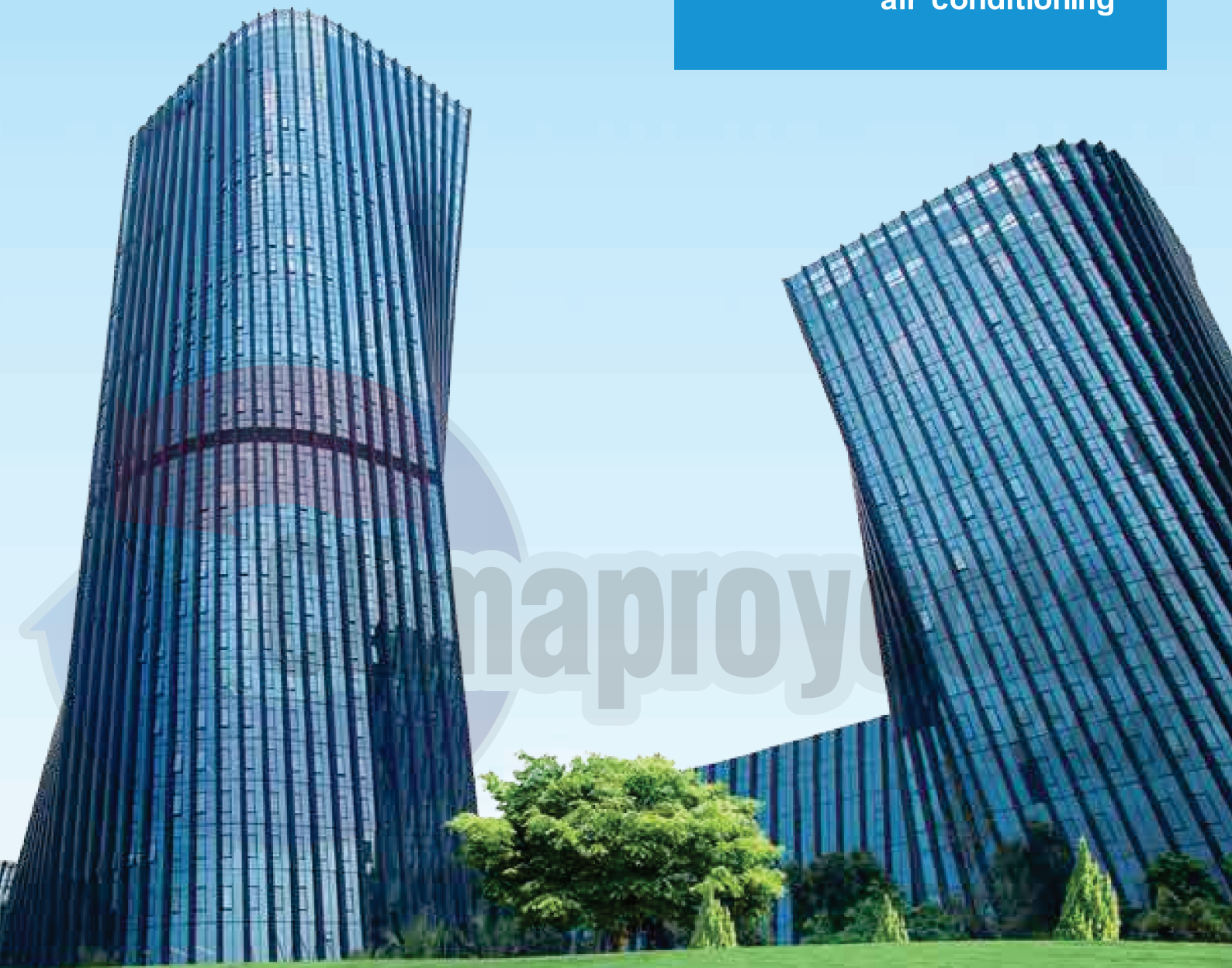


Midea[®]
air conditioning



Rooftop Package (R410A)





Rooftop Package (R410A) Specifications

| Nominal Ton | | | 7.5 | 10 | 15 | 20 | 25 | 30 |
|-----------------------|------------------------|---------------------|-------------------|-------------------|-------------------|-------------------|-------------------|-------------------|
| Model | | | MRBT-075HWN1-R | MRBT-100HWN1-R | MRBT-150HWN1-R | MRBT-200HWN1-R | MRC-250HWN1-R(C) | MRCT-300HWN1-R |
| Power Supply | | V/Ph/Hz | 380-400V,3Ph,50Hz | 380-400V,3Ph,50Hz | 380-400V,3Ph,50Hz | 380-400V,3Ph,50Hz | 380~415V,3Ph,50Hz | 380-400V,3Ph,50Hz |
| Cooling | Cooling Capacity(1) | Btu/h | 89000 | 120000 | 180000 | 240000 | 300000 | 331000 |
| | | kW | 26 | 35 | 53 | 70 | 87.0 | 97 |
| | Power Input(1) | kW | 9.2 | 11.8 | 18.6 | 23.6 | 28.85 | 33 |
| | | Cooling Capacity(2) | Btu/h | 74500 | 100000 | 159600 | 213000 | - |
| | kW | | 21.8 | 29.3 | 46.7 | 62.4 | - | 87.8 |
| Heating | Heating Capacity | Btu/h | 102000 | 126000 | 191000 | 256000 | 330000 | 358000 |
| | | kW | 30 | 37 | 56 | 75 | 97.0 | 105 |
| | Power Input | kW | 8.8 | 10.9 | 17.5 | 23.4 | 30.28 | 35.8 |
| Max.input consumption | | kW | 13.5 | 17.6 | 27.8 | 35.7 | 38.5 | 48.6 |
| Max.power input | | A | 25.6 | 31 | 54.7 | 69.2 | 74.3 | 93.1 |
| Performance | Indoor fan air flow | CFM | 3000 | 3800 | 6600 | 8400 | 10000 | 12000 |
| | ESP | Pa | 60 | 75 | 90 | 100 | 130 | 250 |
| | EER1 | Btu/h/W | 9.7 | 10.2 | 9.7 | 10.1 | 10.4 | 10 |
| | EER2 | Btu/h/W | 7.5 | 8.2 | 7.5 | 7.7 | - | 7.5 |
| | COP | Btu/h/W | 11.6 | 11.6 | 11 | 11 | 10.9 | 7.4 |
| Indoor Coil | Number of rows | | 2 | 3 | 3 | 3 | 4 | 3 |
| | Fin spacing | mm | 1.6 | 1.4 | 1.4 | 1.6 | 1.6 | 1.5 |
| | | inch | 1/16" | 1/16" | 1/16" | 1/16" | 16 | 1/16" |
| | Tube diameter | mm | 7.94 | 7.94 | 7.94 | 7.94 | 8 | 7 |
| inch | | 5/16" | 5/16" | 5/16" | 5/16" | 5/16 | 9/32" | |
| Indoor Fan | Type | | Centrifugal | Centrifugal | Centrifugal | C | FC Centrifugal | Centrifugal |
| | Quantity | | 1 | 1 | 1 | 1 | 1 | 1 |
| | Drive type | | Belt | Belt | Belt | Belt | Belt | Belt |
| | Motor quantity | | 1 | 1 | 1 | 1 | 1 | 1 |
| Compressor | Type | | Scroll | Scroll | Scroll | Scroll | Scroll | Scroll |
| | Quantity | | 1 | 1 | 2 | 2 | 2 | 2 |
| | Brand | | Danfoss | Danfoss | Danfoss | Danfoss | Danfoss | Danfoss |
| | Capacity | Btu/h | 91500 | 119000 | 91500x2 | 119000x2 | 132386x2 | 152384x2 |
| | Refrigerant oil charge | ml | 3000 | 3300 | 3000x2 | 3300x2 | 3300x2 | 3600x2 |
| Outdoor Coil | Number of rows | | 3 | 3 | 3 | 4 | 3+2 | 3.5 |
| | Fin spacing | mm | 1.6 | 1.6 | 1.6 | 1.6 | 1.5 | 1.6 |
| | | inch | 1/16" | 1/16" | 1/16" | 1/16" | 16 | 1/16" |
| | Tube diameter | mm | 7.94 | 7.94 | 7.94 | 7.94 | 8 | 7 |
| inch | | 5/16" | 5/16" | 5/16" | 5/16" | 5/16 | 9/32" | |
| Outdoor Fan | Type | | Propeller | Propeller | Propeller | Propeller | Propeller | Propeller |
| | Quantity | | 1 | 1 | 2 | 2 | 2 | 2 |
| | Drive type | | Direct | Direct | Direct | Direct | Direct | Direct |
| | Motor quantity | | 1 | 1 | 2 | 2 | 2 | 2 |
| Refrigerant | Type | | R410A | R410A | R410A | R410A | R410A | R410A |
| | Refrigerant volume | Kg | 6 | 7.5 | 6.5x2 | 8.8x2 | 6.0+6.0 | 9.4x2 |
| | Refrigerant Control | | Capillary | Capillary | Capillary | Capillary | Capillary | Capillary |
| Filter | Quantity | Pieces | 2 | 2 | 2 | 3 | - | 3 |
| | Size(W×H×D) | mm | 447x885x10 | 566x814x10 | 900x815x12.5 | 640x1008x12.5 | - | 1492x640x12.5 |
| Shipping | Qty/Per 20'/40'/40'HQ | Pieces | 12/28/28 | 8/16/16 | 3/6/12 | 2/4/8 | 2/5/10 | 2/4/8 |

Notes:

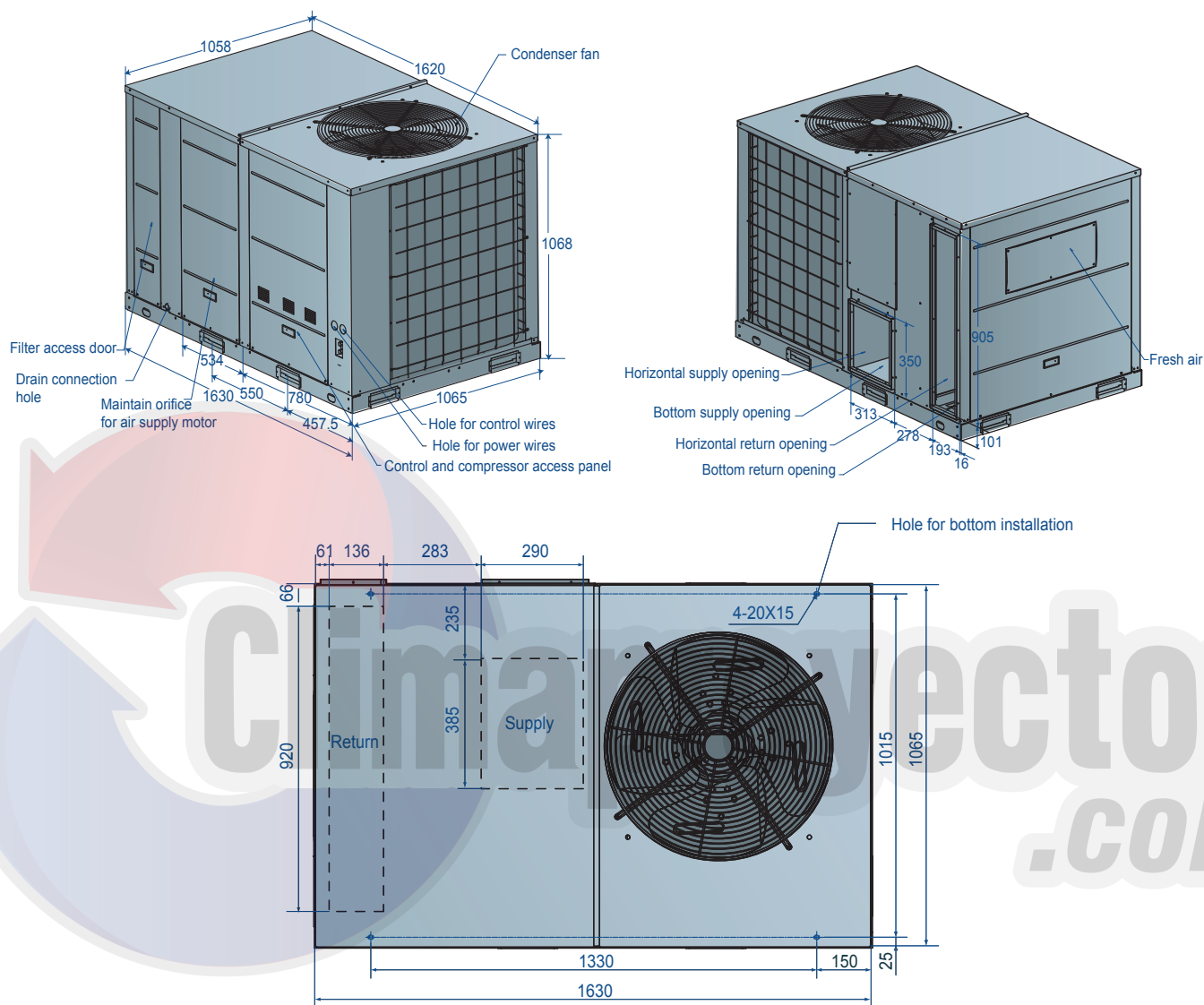
The data are based on the following conditions:

Cooling and Power input :(1) Indoor Temperature 26.7°C(80°F) DB / 19.4°C(67°F) WB; - Outdoor Temperature 35°C(95°F) DB.

(2) Indoor Temperature 26.7°C(80°F) DB / 19.4°C(67°F) WB; - Outdoor Temperature 46.1°C(115°F) DB.

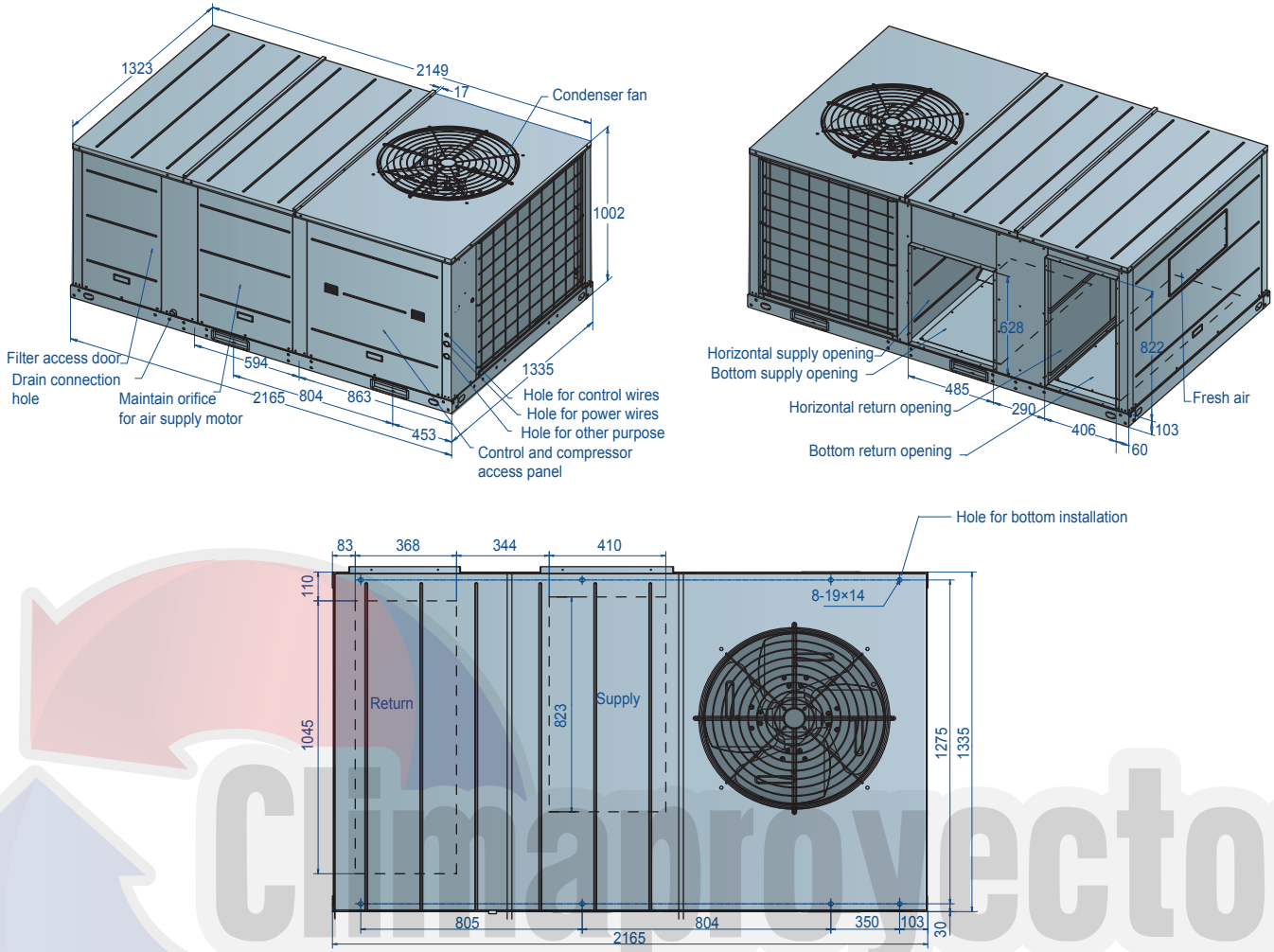
Heating and Power input: Indoor Temperature 20°C(68°F) DB/15°C(59°F) WB; - Outdoor Temperature 7°C(44.6°F) DB/6°C(42.8°F) WB.

Rooftop Package Unit 50Hz Technical Drawings - 6.2 & 7.5 ton



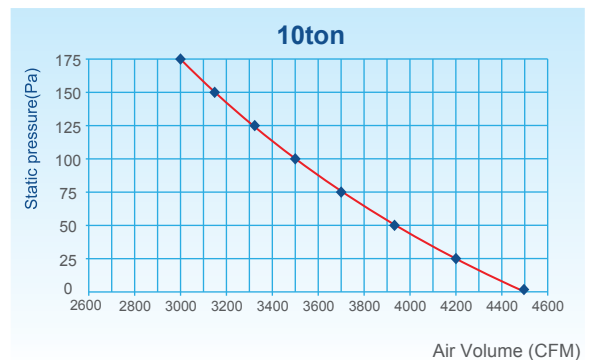
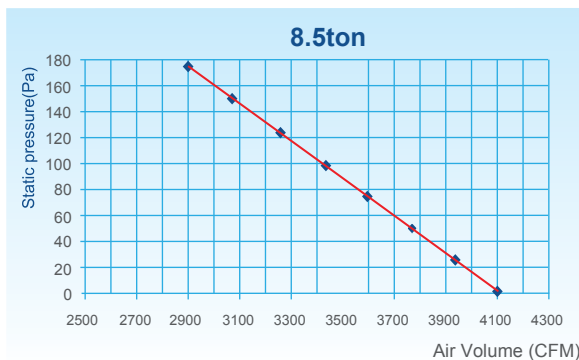
| Model | Net size(WxHxD:mm) | Packing size(WxHxD:mm) | Net weight(Kg) | Gross weight(Kg) |
|----------------|--------------------|------------------------|----------------|------------------|
| MRBT-062CWN1-R | 1630X1065X1068 | 1700X1110X1160 | 315 | 335 |
| MRCT-062EWN1-R | 1630X1065X1068 | 1700X1110X1160 | 323 | 343 |
| MRBT-062HWN1-R | 1630X1065X1068 | 1700X1110X1160 | 320 | 340 |
| MRBT-075CWN1-R | 1630X1065X1068 | 1700X1110X1160 | 315 | 335 |
| MRCT-075EWN1-R | 1630X1065X1068 | 1700X1110X1160 | 323 | 343 |
| MRBT-075HWN1-R | 1630X1065X1068 | 1700X1110X1160 | 380 | 390 |

Rooftop Package Unit 50Hz Technical Drawings - 8.5 & 10 ton

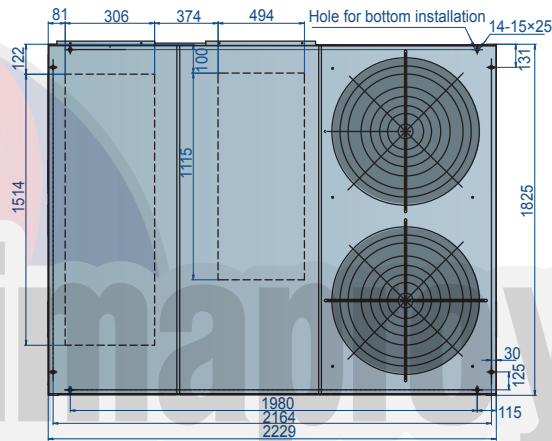
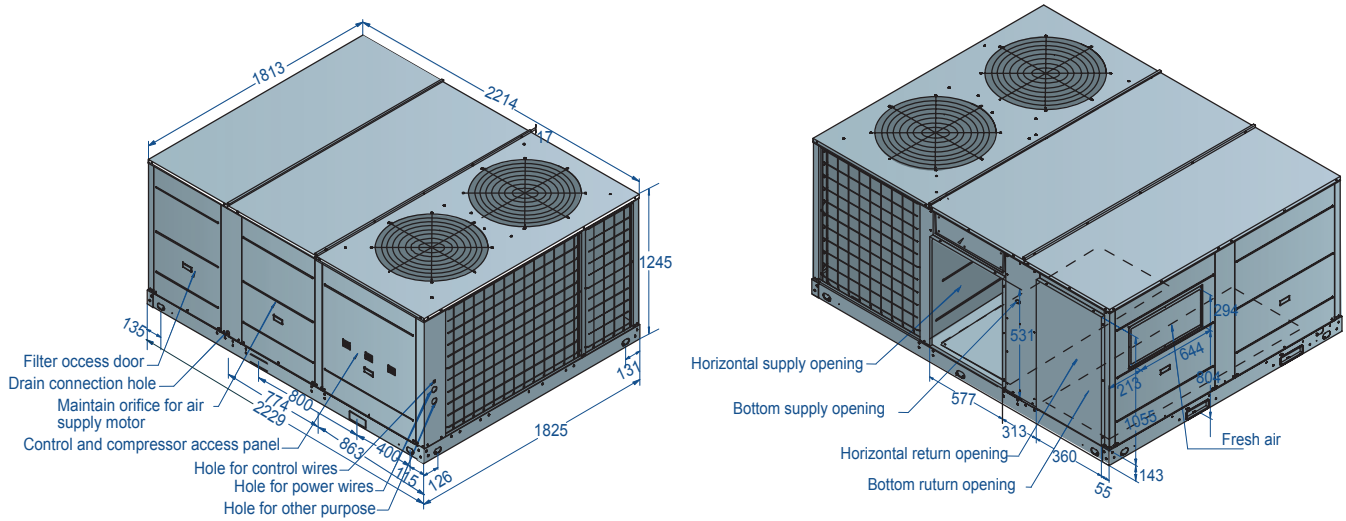


| Model | Net size(WxHxD:mm) | Packing size(WxHxD:mm) | Net weight(Kg) | Gross weight(Kg) |
|----------------|--------------------|------------------------|----------------|------------------|
| MRBT-085CWN1-R | 2165X1002X1335 | 2220X1140X1415 | 445 | 458 |
| MRCT-085EWN1-R | 2165X1002X1335 | 2220X1140X1415 | 455 | 468 |
| MRBT-085HWN1-R | 2165X1002X1335 | 2220X1140X1415 | 450 | 463 |
| MRBT-100CWN1-R | 2165X1002X1335 | 2220X1140X1415 | 445 | 458 |
| MRCT-100EWN1-R | 2165X1002X1335 | 2220X1140X1415 | 455 | 468 |
| MRBT-100HWN1-R | 2165X1002X1335 | 2220X1140X1415 | 450 | 463 |

Rooftop Package Unit 50Hz Static Pressure Chart - 8.5/10 ton

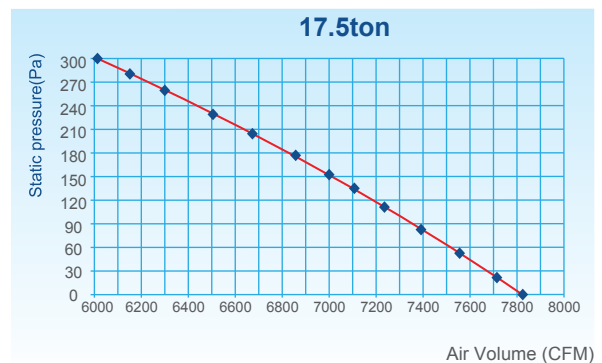
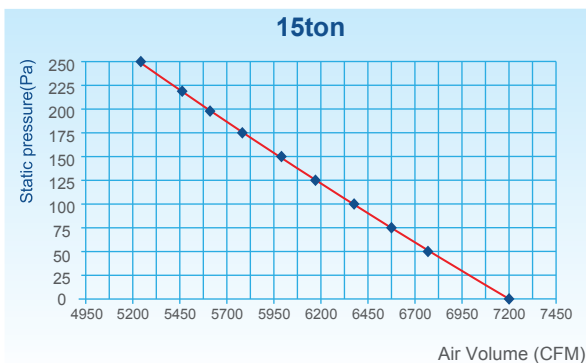


Rooftop Package Unit 50Hz Technical Drawings - 15 & 17.5 ton

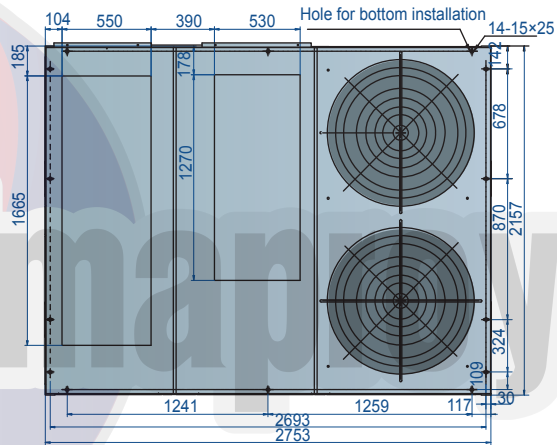
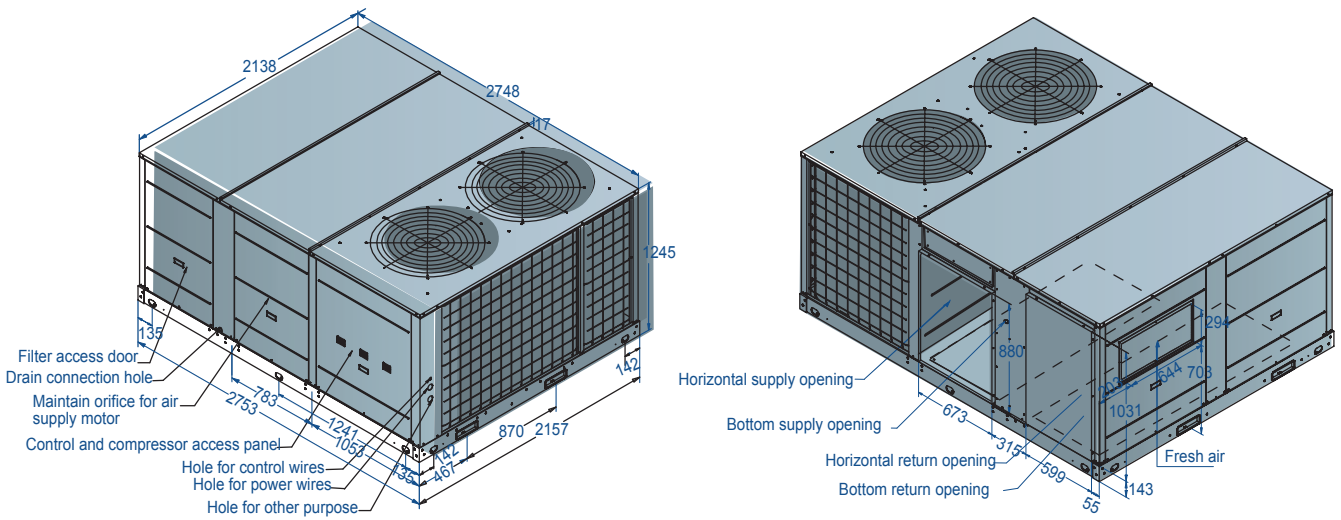


| Model | Net size(WxHxD:mm) | Packing size(WxHxD:mm) | Net weight(Kg) | Gross weight(Kg) |
|----------------|--------------------|------------------------|----------------|------------------|
| MRBT-150CWN1-R | 2229 X1245X1825 | 2236 X1300X1855 | 710 | 730 |
| MRCT-150EWN1-R | 2229 X1245X1825 | 2236 X1300X1855 | 720 | 740 |
| MRBT-150HWN1-R | 2229 X1245X1825 | 2236 X1300X1855 | 730 | 750 |
| MRBT-175CWN1-R | 2229 X1245X1825 | 2236 X1300X1855 | 730 | 750 |
| MRCT-175EWN1-R | 2229 X1245X1825 | 2236 X1300X1855 | 750 | 770 |
| MRBT-175HWN1-R | 2229 X1245X1825 | 2236 X1300X1855 | 750 | 770 |

Rooftop Package Unit 50Hz Static Pressure Chart - 15/17.5 ton

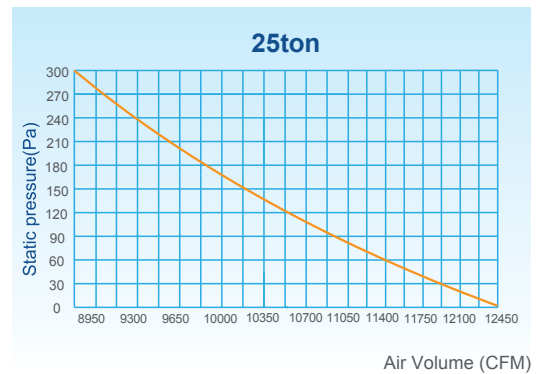
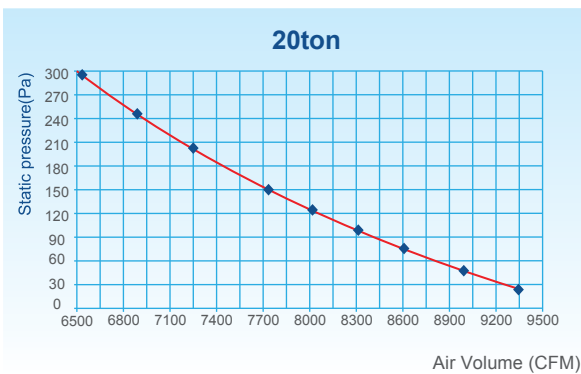


Rooftop Package Unit 50Hz Technical Drawings - 20 ton

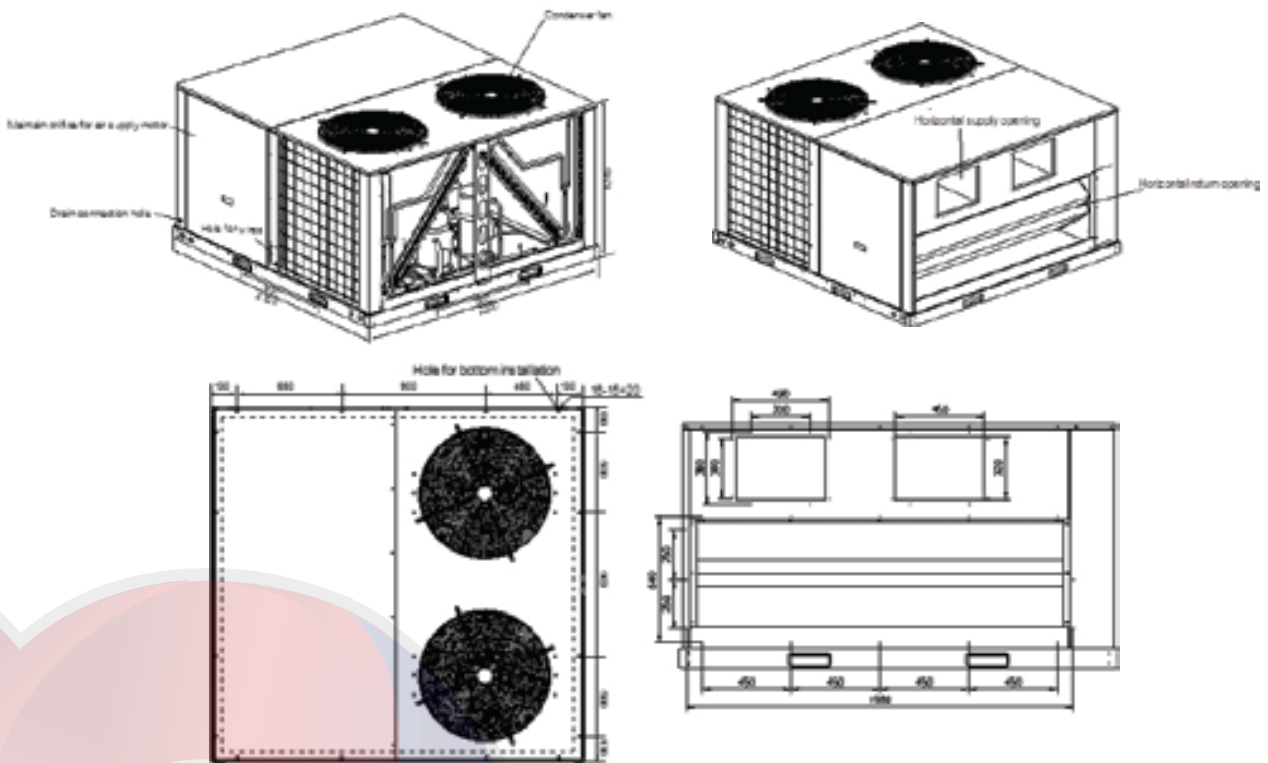


| Model | Net size(WxHxD:mm) | Packing size(WxHxD:mm) | Net weight(Kg) | Gross weight(Kg) |
|----------------|--------------------|------------------------|----------------|------------------|
| MRBT-200CWN1-R | 2753 X1245X2157 | 2755x1300x2180 | 925 | 940 |
| MRCT-200EWN1-R | 2753 X1245X2157 | 2755x1300x2180 | 940 | 955 |
| MRBT-200HWN1-R | 2753 X1245X2157 | 2755x1300x2180 | 940 | 955 |

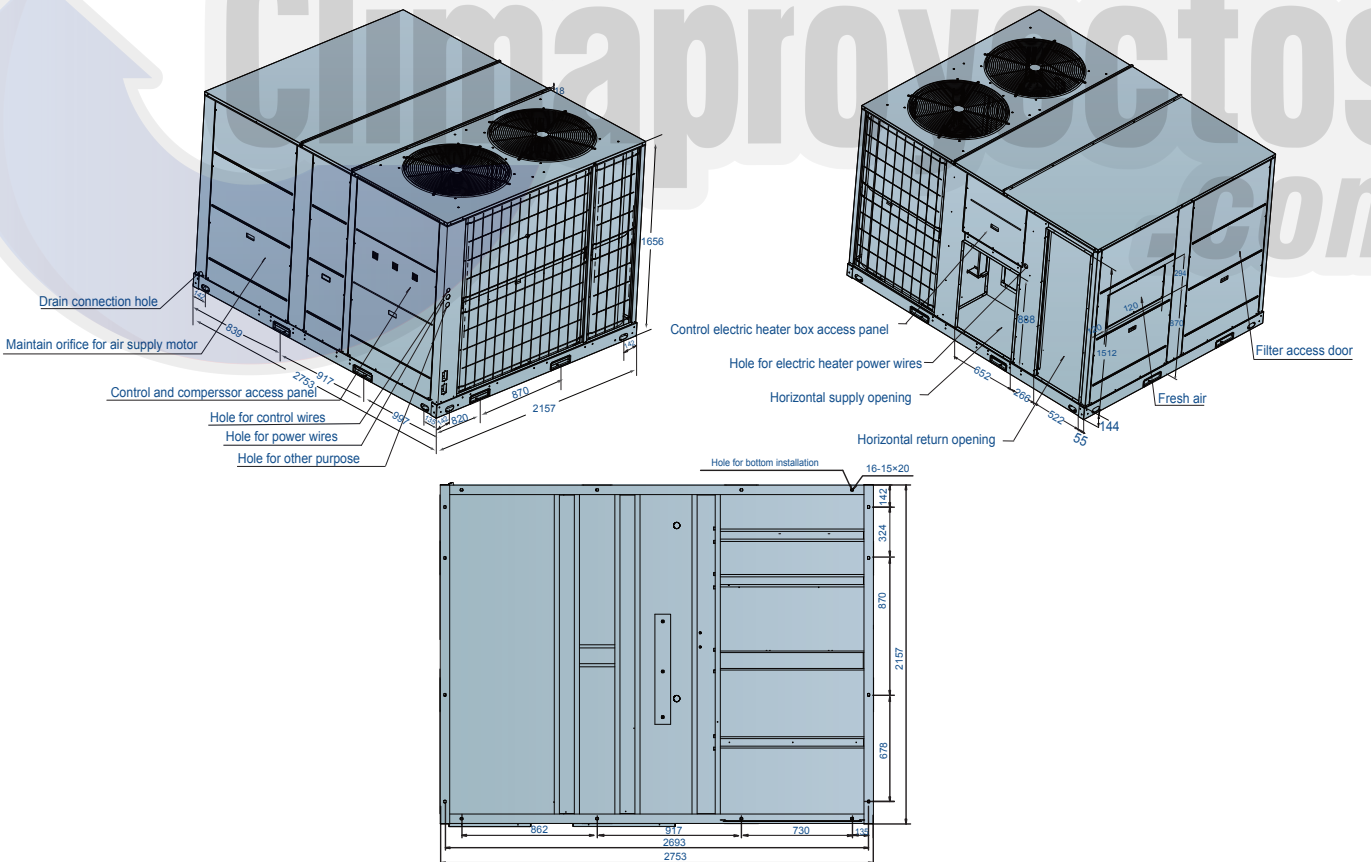
Rooftop Package Unit 50Hz Static Pressure Chart - 20/25 ton



Rooftop Package Unit 50Hz Technical Drawings - 25 ton



Rooftop Package Unit 50Hz Technical Drawings - 30 ton



| Model | Net size(WxHxD:mm) | Packing size(WxHxD:mm) | Net weight(Kg) | Gross weight(Kg) |
|----------------|--------------------|------------------------|----------------|------------------|
| MRCT-300CWN1-R | 2753X1656X2157 | 2755 X1690X2180 | 1090 | 1100 |
| MRCT-300EWN1-R | 2753X1656X2157 | 2755 X1690X2180 | 1110 | 1130 |
| MRCT-300HWN1-R | 2753X1656X2157 | 2755 X1690X2180 | 1110 | 1130 |

Cooling capacity for 30 ton

| | | Air Flow | | Cooling Capacity (30 ton) | | | | | | | | | | | | |
|--------------------------|------------------------|----------|-------|---------------------------|-------|-------|-------|-------|-------|-------|-------|-------|-------|-------|-------|-------|
| | | CFM | 11000 | | | | 12000 | | | | 13000 | | | | | |
| Ambient Temperature (°F) | Entering Wet Bulb (°F) | Ent (DB) | (°C) | 23.8 | 26.6 | 29.4 | 32 | 23.8 | 26.6 | 29.4 | 32 | 23.8 | 26.6 | 29.4 | 32 | |
| | | 29.5 | 16 | TGC | 289.0 | 292.9 | 307.0 | 326.0 | 297.5 | 304.5 | 318.8 | 337.6 | 301.2 | 309.5 | 330.6 | 347.0 |
| SHC | 231.3 | | | 278.2 | 298.0 | 315.9 | 245.2 | 297.2 | 312.7 | 324.8 | 259.5 | 300.3 | 320.6 | 336.4 | | |
| 19.4 | TGC | | | 327.1 | 331.4 | 335.4 | 340.5 | 337.6 | 340.1 | 342.2 | 344.7 | 342.0 | 344.9 | 347.0 | 349.9 | |
| | SHC | | | 179.4 | 224.1 | 266.6 | 311.3 | 188.3 | 233.6 | 280.8 | 325.4 | 192.0 | 240.7 | 290.2 | 319.7 | |
| 22.8 | TGC | | 347.0 | 354.2 | 359.0 | 363.7 | 351.3 | 356.5 | 363.7 | 368.1 | 356.1 | 361.3 | 365.8 | 370.6 | | |
| | SHC | | 116.6 | 164.2 | 203.2 | 240.7 | 119.3 | 168.4 | 208.3 | 245.0 | 121.8 | 170.2 | 212.1 | 254.8 | | |
| 35 | 16 | | TGC | 269.3 | 276.5 | 290.8 | 311.8 | 273.0 | 313.2 | 304.7 | 323.4 | 283.6 | 290.8 | 314.2 | 332.9 | |
| | | | SHC | 219.3 | 266.6 | 285.4 | 305.9 | 233.6 | 276.0 | 299.1 | 317.3 | 247.9 | 285.4 | 308.2 | 326.6 | |
| | 19.4 | | TGC | 315.0 | 319.8 | 324.5 | 331.4 | 329.1 | 331.0 | 336.3 | 338.6 | 340.9 | 343.6 | 345.9 | 347.9 | |
| | | | SHC | 170.2 | 214.8 | 259.5 | 304.1 | 230.3 | 278.4 | 301.8 | 313.1 | 233.0 | 249.8 | 293.9 | 319.2 | |
| | 22.8 | | TGC | 337.8 | 342.2 | 346.8 | 351.9 | 340.5 | 344.3 | 350.1 | 356.5 | 343.7 | 348.4 | 353.2 | 355.5 | |
| | | | SHC | 110.4 | 157.0 | 199.0 | 238.4 | 113.3 | 163.2 | 204.8 | 247.9 | 115.8 | 166.3 | 210.4 | 254.8 | |
| | 40.5 | | 16 | TGC | 248.6 | 255.8 | 270.1 | 293.9 | 258.1 | 265.3 | 289.0 | 303.3 | 262.9 | 274.7 | 300.8 | 322.3 |
| | | | | SHC | 208.3 | 248.7 | 262.4 | 285.2 | 224.3 | 257.7 | 280.6 | 294.3 | 238.6 | 269.9 | 295.3 | 311.9 |
| 19.4 | | | TGC | 289.0 | 293.9 | 300.8 | 303.3 | 291.4 | 298.5 | 308.0 | 312.8 | 308.0 | 312.8 | 317.6 | 322.3 | |
| | | | SHC | 159.9 | 205.4 | 250.2 | 297.4 | 187.8 | 217.1 | 266.6 | 306.9 | 175.4 | 228.9 | 280.8 | 316.1 | |
| 22.8 | | | TGC | 331.8 | 334.3 | 336.6 | 338.9 | 336.6 | 338.9 | 341.4 | 346.1 | 341.4 | 343.7 | 346.1 | 348.0 | |
| | | | SHC | 103.9 | 149.5 | 193.0 | 233.8 | 106.6 | 155.5 | 200.3 | 245.6 | 109.1 | 161.3 | 206.3 | 252.3 | |
| 46 | | | 16 | TGC | 234.8 | 244.3 | 268.1 | 291.9 | 242.0 | 256.3 | 280.1 | 303.9 | 249.2 | 254.2 | 274.5 | 315.7 |
| | | | | SHC | 198.4 | 230.7 | 253.9 | 276.9 | 212.1 | 239.6 | 262.4 | 285.2 | 224.3 | 238.3 | 251.0 | 289.9 |
| | 19.4 | | TGC | 290.1 | 294.7 | 297.0 | 301.9 | 292.4 | 299.6 | 302.2 | 309.0 | 309.0 | 313.9 | 320.8 | 329.1 | |
| | | | SHC | 192.9 | 221.9 | 266.5 | 291.0 | 202.3 | 234.4 | 283.2 | 287.0 | 216.8 | 250.3 | 290.1 | 294.0 | |
| | 22.8 | | TGC | 308.0 | 312.8 | 317.6 | 320.0 | 317.6 | 322.3 | 324.6 | 327.1 | 324.6 | 327.1 | 329.4 | 331.8 | |
| | | | SHC | 97.1 | 142.5 | 187.6 | 231.5 | 102.8 | 150.6 | 195.9 | 240.9 | 105.4 | 155.5 | 205.4 | 255.2 | |
| | 52 | 16 | TGC | 215.2 | 224.3 | 247.1 | 266.8 | 221.9 | 235.7 | 258.5 | 281.5 | 228.9 | 244.8 | 270.1 | 292.9 | |
| | | | SHC | 189.9 | 201.0 | 223.2 | 242.2 | 203.2 | 232.0 | 254.3 | 276.5 | 214.8 | 230.9 | 255.3 | 285.5 | |
| 19.4 | | TGC | 258.5 | 263.1 | 265.4 | 270.1 | 260.8 | 267.8 | 272.2 | 276.9 | 276.9 | 281.5 | 288.3 | 295.8 | | |
| | | SHC | 146.4 | 187.8 | 230.9 | 254.4 | 168.4 | 199.9 | 246.9 | 262.1 | 178.3 | 210.2 | 258.3 | 286.4 | | |
| 22.8 | | TGC | 295.2 | 299.7 | 304.3 | 306.6 | 304.3 | 308.9 | 311.1 | 313.4 | 311.1 | 313.4 | 315.7 | 318.0 | | |
| | | SHC | 92.4 | 136.1 | 179.4 | 221.6 | 95.0 | 143.9 | 187.4 | 230.9 | 100.6 | 148.5 | 196.5 | 244.6 | | |



Electrical Data

| Model | Power Supply | | | Compressor(Each) | | | | Evaporator fan motor(Each) | | | Condenser fan motor(Each) | | |
|----------------|--------------|---------|--------|------------------|--------|----------|-----|----------------------------|--------|-----|---------------------------|--------|-----|
| | MCA(A) | TOCA(A) | MFA(A) | RLA(A) | LRA(A) | IP(kW) | QTY | FLA(A) | IP(kW) | QTY | FLA(A) | IP(kW) | QTY |
| MRBT-60CWN1-R | 20.4 | 23.5 | 35.0 | 12.3 | 74.0 | 5.6 | 1 | 3.5 | 0.8 | 1 | 1.5 | 0.3 | 1 |
| MRBT-062CWN1-R | 23.2 | 26.8 | 40.0 | 14.3 | 98.0 | 7.2 | 1 | 3.7 | 1.3 | 1 | 1.7 | 0.9 | 1 |
| MRCT-062EWN1-R | 23.2 | 26.8 | 40.0 | 14.3 | 98.0 | 7.2 | 1 | 3.7 | 1.3 | 1 | 1.7 | 0.9 | 1 |
| MRBT-062HWN1-R | 23.2 | 26.8 | 40.0 | 14.3 | 98.0 | 7.2 | 1 | 3.7 | 1.3 | 1 | 1.7 | 0.9 | 1 |
| MRBT-075CWN1-R | 25.9 | 30.0 | 45.0 | 16.4 | 142.0 | 8.5 | 1 | 3.7 | 1.3 | 1 | 1.7 | 0.9 | 1 |
| MRCT-075EWN1-R | 25.9 | 30.0 | 45.0 | 16.4 | 142.0 | 8.5 | 1 | 3.7 | 1.3 | 1 | 1.7 | 0.9 | 1 |
| MRBT-075HWN1-R | 25.9 | 30.0 | 45.0 | 16.4 | 142.0 | 8.5 | 1 | 3.7 | 1.3 | 1 | 1.7 | 0.9 | 1 |
| MRBT-085CWN1-R | 32.3 | 37.5 | 55.0 | 20.7 | 142.0 | 9.5 | 1 | 3.7 | 1.3 | 1 | 2.7 | 1.3 | 1 |
| MRCT-085EWN1-R | 32.3 | 37.5 | 55.0 | 20.7 | 142.0 | 9.5 | 1 | 3.7 | 1.3 | 1 | 2.7 | 1.3 | 1 |
| MRBT-085HWN1-R | 32.3 | 37.5 | 55.0 | 20.7 | 142.0 | 9.5 | 1 | 3.7 | 1.3 | 1 | 2.7 | 1.3 | 1 |
| MRBT-100CWN1-R | 33.2 | 38.5 | 55.0 | 21.4 | 147.0 | 10.9 | 1 | 3.7 | 1.3 | 1 | 2.7 | 1.3 | 1 |
| MRCT-100EWN1-R | 33.2 | 38.5 | 55.0 | 21.4 | 147.0 | 10.9 | 1 | 3.7 | 1.3 | 1 | 2.7 | 1.3 | 1 |
| MRBT-100HWN1-R | 33.2 | 38.5 | 55.0 | 21.4 | 147.0 | 10.9 | 1 | 3.7 | 1.3 | 1 | 2.7 | 1.3 | 1 |
| MRBT-125CWN1-R | 47.4 | 55.1 | 80.0 | 10.9/20 | 64/118 | 4.75/9.2 | 2 | 6.0 | 3.1 | 1 | 2.7 | 1.3 | 1 |
| MRBT-125HWN1-R | 47.4 | 55.1 | 80.0 | 10.9/20 | 64/118 | 4.75/9.2 | 2 | 6.0 | 3.1 | 1 | 2.7 | 1.3 | 1 |
| MRBT-150CWN1-R | 56.2 | 64.4 | 90.0 | 16.4 | 142.0 | 8.5 | 2 | 11.8 | 5.1 | 1 | 1.7 | 0.9 | 2 |
| MRCT-150EWN1-R | 56.2 | 64.4 | 90.0 | 16.4 | 142.0 | 8.5 | 2 | 11.8 | 5.1 | 1 | 1.7 | 0.9 | 2 |
| MRBT-150HWN1-R | 56.2 | 64.4 | 90.0 | 16.4 | 142.0 | 8.5 | 2 | 11.8 | 5.1 | 1 | 1.7 | 0.9 | 2 |
| MRBT-175CWN1-R | 69.3 | 79.38 | 115.0 | 20.7 | 142.0 | 9.5 | 2 | 11.8 | 5.1 | 1 | 2.7 | 1.3 | 2 |
| MRCT-175EWN1-R | 69.3 | 79.38 | 115.0 | 20.7 | 142.0 | 9.5 | 2 | 11.8 | 5.1 | 1 | 2.7 | 1.3 | 2 |
| MRBT-175HWN1-R | 69.3 | 79.38 | 115.0 | 20.7 | 142.0 | 9.5 | 2 | 11.8 | 5.1 | 1 | 2.7 | 1.3 | 2 |
| MRBT-200CWN1-R | 71.8 | 82.5 | 115.0 | 21.4 | 147.0 | 10.9 | 2 | 11.8 | 5.1 | 1 | 3.3 | 1.7 | 2 |
| MRCT-200EWN1-R | 71.8 | 82.5 | 115.0 | 21.4 | 147.0 | 10.9 | 2 | 11.8 | 5.1 | 1 | 3.3 | 1.7 | 2 |
| MRBT-200HWN1-R | 71.8 | 82.5 | 115.0 | 21.4 | 147.0 | 10.9 | 2 | 11.8 | 5.1 | 1 | 3.3 | 1.7 | 2 |
| MRCT-300CWN1-R | 90.9 | 104.7 | 150.0 | 27.6 | 197.0 | 13.7 | 2 | 15.4 | 5.9 | 1 | 3.3 | 1.7 | 2 |
| MRCT-300EWN1-R | 90.9 | 104.7 | 150.0 | 27.6 | 197.0 | 13.7 | 2 | 15.4 | 5.9 | 1 | 3.3 | 1.7 | 2 |
| MRCT-300HWN1-R | 90.9 | 104.7 | 150.0 | 27.6 | 197.0 | 13.7 | 2 | 15.4 | 5.9 | 1 | 3.3 | 1.7 | 2 |

Voltage imbalance between phases to be <2%

MCA: Min. Current Amps. (A)

TOCA: Total Over-current Amps. (A)

MFA: Max. Fuse Amps. (A)

FLA: Full Load Amps.(A)

RLA: Rated Load Amps.

LRA: Locked Rotor Amps.(A)

IP: Input Power(kW)



Climzone Air Conditioning Head Office

Tel: +263 (04) 447 235 | Cell: +263 772 192 063 | sales@climzone.co.zw

www.mideaaircon.co.zw