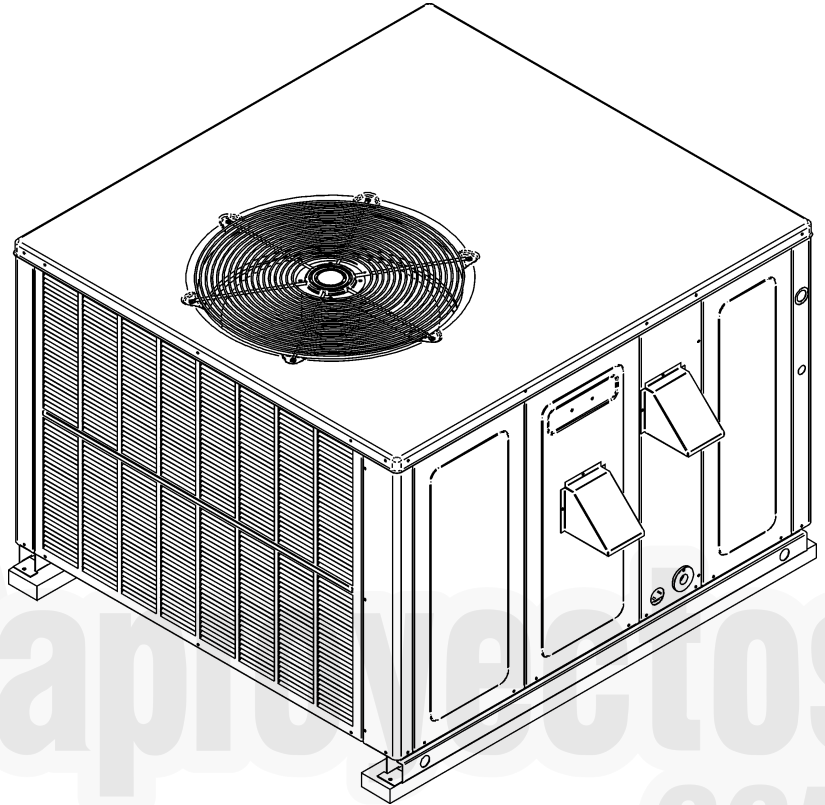


GPG14 "M" Series Residential Package Gas Units

GPG1424040M41AA
GPG1424040M41AB
GPG1424060M41AA
GPG1424060M41AB
GPG1430040M41AA
GPG1430040M41AB
GPG1430060M41AA
GPG1430060M41AB
GPG1436040M41AA
GPG1436040M41AB
GPG1436060M41AA
GPG1436060M41AB
GPG1436080M41AA
GPG1436080M41AB
GPG1442060M41AA
GPG1442060M41AB
GPG1442080M41AA
GPG1442080M41AB
GPG1448060M41AA
GPG1448060M41AB
GPG1448080M41AA
GPG1448080M41AB
GPG1448100M41AA
GPG1448100M41AB
GPG1460080M41AA
GPG1460100M41AA
GPG1460120M41AA
GPG1461080M41AA
GPG1461100M41AA
GPG1461120M41AA



This manual is to be used by qualified technicians only.

This manual replaces RP-G3001.

© 2014-2015 Goodman Company, L.P. ♦ 5151 San Felipe St., Suite 500 ♦ Houston, TX 77056

Important Information

Index

Functional Parts List	3
Illustration and Parts	4 - 15

Views shown are for parts illustrations only, not servicing procedures

Rev A: 5 ton compressor and gas valve changes

Text Codes:

AR - As Required

NA - Not Available

NS - Not Shown

00000000 - See Note

QTY - Quantity Example (QTY 3) (If Quantity not shown, Quantity = 1)

M - Model Example (M1) (If M Code not shown, then part is used on all Models)

Expanded Model Nomenclature:

Example M1 - Model#1 M2 - Model#2 M3 - Model#3

Goodman Company, L.P. is not responsible for personal injury or property damage resulting from improper service. Review all service information before beginning repairs.

Warranty service must be performed by an authorized technician, using authorized factory parts. If service is required after the warranty expires, Goodman Company, L.P. also recommends contacting an authorized technician and using authorized factory parts.

Goodman Company, L.P. reserves the right to discontinue, or change at any time, specifications or designs without notice or without incurring obligations.

For assistance within the U.S.A. contact:

Consumer Affairs Department
Goodman Company, L.P.
7401 Security Way
Houston, Texas 77040
877-254-4729-Telephone
713-863-2382-Facsimile

For assistance outside the U.S.A. contact:

International Division
Goodman Company, L.P.
7401 Security Way
Houston, Texas 77040
713-861-2500-Telephone
713-863-2382-Facsimile

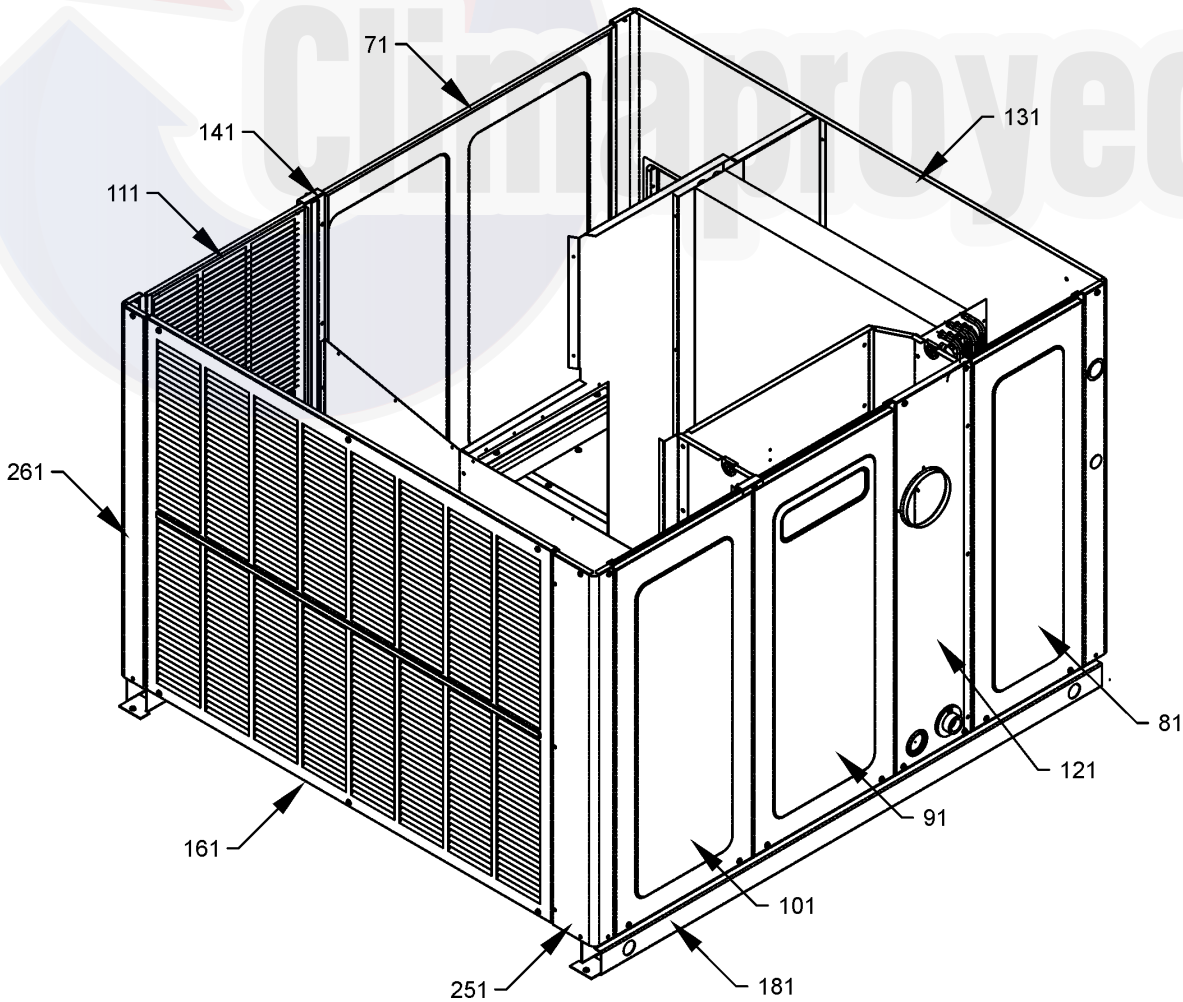
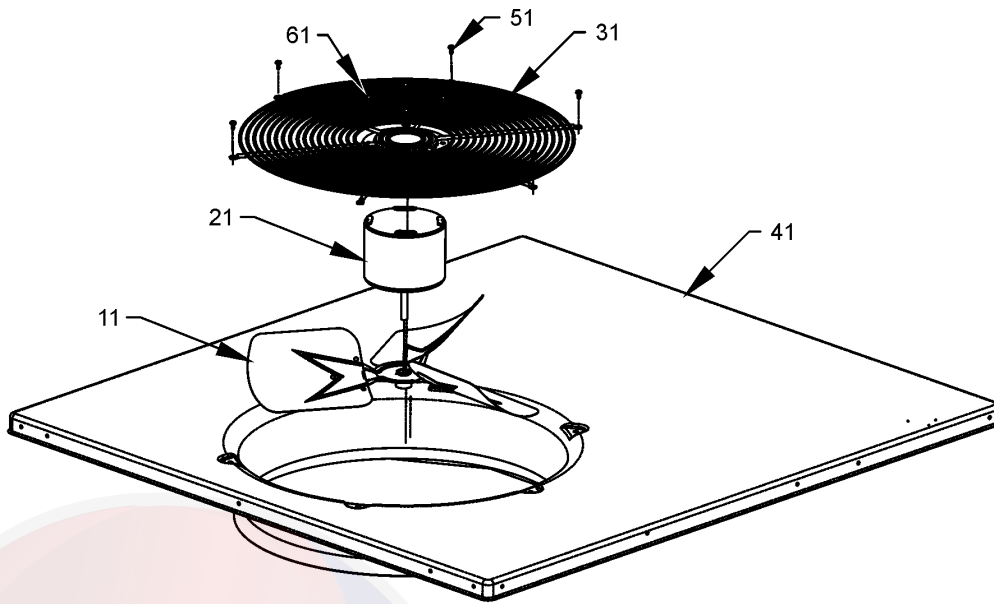
Functional Parts

Part

No: Description:

Part No:	Description:	Part No:	Description:
50N492ZV-ZAKM	2.0TONRECHI COMPR.4 LEGS (M1, M2, M3, M4)	10728343	LIMIT SWITCH (M25, M26, M27, M28, M29, M30)
B1370751	24V RELAY (M1, M2, M3, M4, M5, M6, M7, M8, M9, M10, M11, M12, M13, M14, M15, M16, M17, M18, M19, M20, M21, M22, M23, M24)	10728342	LIMIT SWITCH (M1, M2, M3, M4, M5, M6, M7, M8, M9, M10, M11, M12, M13, M14, M15, M16, M17, M18)
0163F00017	BECKETT BURNER (QTY A/R)	10123532	MANUAL RESET LIMIT 350°F (M1, M2, M3, M4, M5, M6, M7, M8, M9, M10, M11, M12, M13, M14, M15, M16, M17, M18, M19, M20, M21, M22, M23, M24)
D6723303	BLOWER WHEEL (M9, M10, M11, M12, M13, M14, M15, M16, M17, M18)	10123529	MANUAL RESET LIMIT-GREEN (M25, M26, M27, M28, M29, M30)
B1368016	BLOWER WHEEL 10 X 8 (M1, M2, M3, M4, M5, M6, M7, M8)	11112501	PRESSURE SWITCH
B1368000	BLOWER WHEEL 11 X 10 (M19, M20, M21, M22, M23, M24, M25, M26, M27, M28, M29, M30)	0131G00013	PROGRAMMED MOTOR (M15, M16, M17, M18)
CAP100400440CT	CAP, 10/40 MFD, 440V/ DUAL RD (M28, M29, M30)	0131G00053	PROGRAMMED MOTOR (M26, M29)
CAP050400440CT	CAPACITOR 5/40/440V/DUAL RD (M5, M6, M7, M8, M25, M26, M27)	0131G00015	PROGRAMMED MOTOR (M25, M28)
CAP050450440CT	CAPACITOR 5/45/440V/DUAL RD (M1, M2, M3, M4, M9, M10, M11, M12, M13, M14, M15, M16, M17, M18, M19, M20, M21, M22, M23, M24)	0131G00014	PROGRAMMED MOTOR (M19, M20, M21, M22, M23, M24)
ZPS51K5EPFV130	COMP, 51900/208/230/60/1 (M25, M26, M27)	0131G00054	PROGRAMMED MOTOR (M27, M30)
ZP29K5EPFV130	COMP,29000,208/230/60/1 (M9, M10, M11, M12, M13, M14)	0131G00010	PROGRAMMED MOTOR (M1, M2, M3, M4)
ZP25K5EPFV130	COMPRESSOR 25200, 208/230/60/1 (M5, M6, M7, M8)	0131G00011	PROGRAMMED MOTOR (M5, M6, M7, M8)
ZP34K5EPFV130	COMPRESSOR 34500, 208/230/60/1 (M15, M16, M17, M18)	0131G00012	PROGRAMMED MOTOR (M9, M10, M11, M12, M13, M14)
ZP39K5EPFV130	COMPRESSOR 39000, 208/230/60/1 (M19, M20, M21, M22, M23, M24)	0130M00138	TRANSFORMER 208/230, 24V (M1, M2, M3, M4, M5, M6, M7, M8, M9, M10, M11, M12, M13, M14, M15, M16, M17, M18, M19, M20, M21, M22, M23, M24)
ZPS49K5EPFV130	COMPRESSOR 49100, 208/230/60/1 (M28, M29, M30)	0151M00047	VALVE, NXT (M25, M26, M27, M28, M29, M30)
0131M00430	COND MOTOR 1/3 HP, 1 SP, 6 PL (M28, M29, M30)	Expanded Model Nomenclature	
0131M00061	COND MOTOR 1/4 HP, 1 SP, 8 PL (M9, M10, M11, M12, M13, M14)	M1 - GPG1424040M41AA	
0131M00429	COND MOTOR 1/4 HP, 1 SP, 6 PL (M5, M6, M7, M8, M15, M16, M17, M18, M19, M20, M21, M22, M23, M24, M25, M26, M27)	M2 - GPG1424040M41AB	
0131M00009P	COND MOTOR 1/6 HP, 1 SP, 8 PL (M1, M2, M3, M4)	M3 - GPG1424060M41AA	
CONT1P025024V	CONTACTOR 25 AMP, 1P, 24V (M1, M2, M3, M4, M5, M6, M7, M8, M9, M10, M11, M12, M13, M14)	M4 - GPG1424060M41AB	
CONT1P030024V	CONTACTOR 30 AMP, 1P, 24V (M15, M16, M17, M18, M19, M20, M21, M22, M23, M24)	M5 - GPG1430040M41AA	
CONT2P040024V	CONTACTOR 40 AMP, 2P, 24V (M25, M26, M27, M28, M29, M30)	M6 - GPG1430040M41AB	
0130M00074	CUT-OUT SWITCH, HIGH PRESSURE	M7 - GPG1430060M41AA	
0130M00087	CUT-OUT SWITCH, LOW PRESSURE (M25, M26, M27, M28, M29, M30)	M8 - GPG1430060M41AB	
B1086775	FAN BLADE (M5, M6, M7, M8)	M9 - GPG1436040M41AA	
B1086773	FAN BLADE 22" (M1, M2, M3, M4)	M10 - GPG1436040M41AB	
0150G00003	FAN BLADE SWEPT-WING (M15, M16, M17, M18, M19, M20, M21, M22, M23, M24, M25, M26, M27, M28, M29, M30)	M11 - GPG1436060M41AA	
0150G00002	FAN BLADE SWEPT-WING (M9, M10, M11, M12, M13, M14)	M12 - GPG1436060M41AB	
0130F00010	FLAME SENSOR	M13 - GPG1436080M41AA	
0151F00000P	GAS VALVE - WHITE-RODGERS 2-STAGE (M25, M26, M27, M28, M29, M30)	M14 - GPG1436080M41AB	
B1282628	GAS VALVE (36G) (M2, M4, M6, M8, M10, M12, M14, M16, M18, M20, M22, M24)	M15 - GPG1442060M41AA	
0151M00013	GAS VALVE (HW) SINGLE STAGE (M1, M3, M5, M7, M9, M11, M13, M15, M17, M19, M21, M23)	M16 - GPG1442060M41AB	
0131G00001	ID BLOWER (M25, M26, M27, M28, M29, M30)	M17 - GPG1442080M41AA	
0131G00000P	ID BLOWER (M1, M2, M3, M4, M5, M6, M7, M8, M9, M10, M11, M12, M13, M14, M15, M16, M17, M18, M19, M20, M21, M22, M23, M24)	M18 - GPG1442080M41AB	
PCBAG123	IGNITION BOARD, DSI INTEGRATED (M1, M2, M3, M4, M5, M6, M7, M8, M9, M10, M11, M12, M13, M14, M15, M16, M17, M18, M19, M20, M21, M22, M23, M24)	M19 - GPG1448060M41AA	
PCBAG127	IGNITION BOARD, DSI, 2 STG (M25, M26, M27, M28, M29, M30)	M20 - GPG1448060M41AB	
0130F00014	IGNITOR	M21 - GPG1448080M41AA	
10728344	LIMIT SWITCH (M19, M20, M21, M22, M23, M24)	M22 - GPG1448080M41AB	
		M23 - GPG1448100M41AA	
		M24 - GPG1448100M41AB	
		M25 - GPG1460080M41AA	
		M26 - GPG1460100M41AA	
		M27 - GPG1460120M41AA	
		M28 - GPG1461080M41AA	
		M29 - GPG1461100M41AA	
		M30 - GPG1461120M41AA	

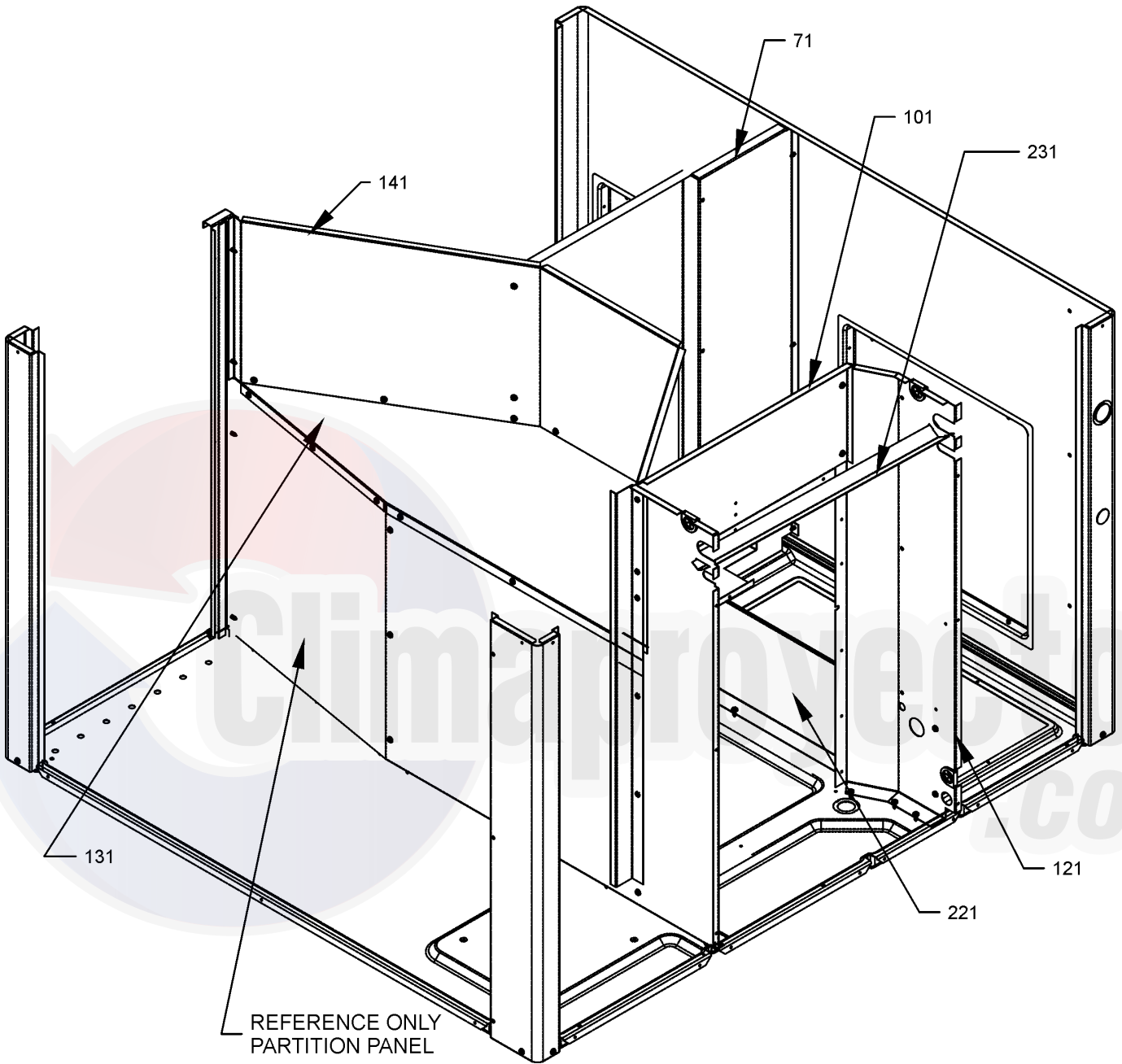
Top Panel / Fan / Cabinet



Top Panel / Fan / Cabinet

Ref. Part No:	Description:	Ref. Part No:	Description:
Image 1:		Image 1:	
11	B1086775 FAN BLADE (M5, M6, M7, M8)	251	20464202PDG CORNER POST-COMP END 40" (M19, M20, M21, M22, M23, M24)
11	B1086773 FAN BLADE 22" (M1, M2, M3, M4)	251	0121G00453DG CORNER-POST COMP END, PNT (M9, M10, M11, M12, M13, M14, M15, M16, M17, M18)
11	0150G00002 FAN BLADE SWEPT-WING (M9, M10, M11, M12, M13, M14)	251	0121G00455DG CORNER-POST COMP END, PNT (M25, M26, M27, M28, M29, M30)
11	0150G00003 FAN BLADE SWEPT-WING (M15, M16, M17, M18, M19, M20, M21, M22, M23, M24, M25, M26, M27, M28, M29, M30)	261	0121G00454DG CORNER-POST HPIN END, PNT (M1, M2, M3, M4, M5, M6, M7, M8, M9, M10, M11, M12, M13, M14, M15, M16, M17, M18)
21	0131M00430 COND MOTOR 1/3 HP, 1 SP, 6 PL (M28, M29, M30)	261	0121G00456DG CORNER-POST HPIN END, PNT (M19, M20, M21, M22, M23, M24, M25, M26, M27, M28, M29, M30)
21	0131M00061 COND MOTOR 1/4 HP, 1 SP, 8 PL (M9, M10, M11, M12, M13, M14)	NS	0121G00323 FLUE HOOD (QTY 2)
21	0131M00429 COND MOTOR 1/4 HP, 1 SP, 6 PL (M5, M6, M7, M8, M15, M16, M17, M18, M19, M20, M21, M22, M23, M24, M25, M26, M27)	NS	0270G00131 FLUE HOOD ASSY
21	0131M00009P COND MOTOR 1/6 HP, 1 SP, 8 PL (M1, M2, M3, M4)	NS	0121G00190 FLUE HOOD-LOWER
31	0152G00003 FAN GRILLE	NS	B1910012 GAS LINE GROMMET
41	0121G00156PDG TOP PANEL	NS	1778800083F PVC CONDUIT 8.25"
51	M0221817 SMALL SCREW (QTY 6)	NS	20472601 SCREEN-FLUE HOOD
61	0163M00006P ACORN NUT 5/16 HEX BLACK (QTY 4)	Expanded Model Nomenclature	
71	20464801PDG BLOWER DOOR 32" (M1, M2, M3, M4, M5, M6, M7, M8, M9, M10, M11, M12, M13, M14, M15, M16, M17, M18)	M1 - GPG1424040M41AA	
71	20464806PDG BLOWER DOOR 40" (M19, M20, M21, M22, M23, M24, M25, M26, M27, M28, M29, M30)	M2 - GPG1424040M41AB	
81	20464802PDG EVAP/CONTROL DOOR 32" (M1, M2, M3, M4, M5, M6, M7, M8, M9, M10, M11, M12, M13, M14, M15, M16, M17, M18)	M3 - GPG1424060M41AA	
81	20464807PDG EVAP/CONTROL DOOR-40 (M19, M20, M21, M22, M23, M24, M25, M26, M27, M28, M29, M30)	M4 - GPG1424060M41AB	
91	0121G00526DG HEAT EXCHANGER DOOR 32" (M1, M2, M3, M4, M5, M6, M7, M8, M9, M10, M11, M12, M13, M14, M15, M16, M17, M18)	M5 - GPG1430040M41AA	
91	0121G00527DG HEAT EXCHANGER DOOR 40" (M19, M20, M21, M22, M23, M24, M25, M26, M27, M28, M29, M30)	M6 - GPG1430040M41AB	
101	20464804PDG COMPRESSOR DOOR 32" (M1, M2, M3, M4, M5, M6, M7, M8, M9, M10, M11, M12, M13, M14, M15, M16, M17, M18)	M7 - GPG1430060M41AA	
101	20464809PDG COMPRESSOR DOOR 40" (M19, M20, M21, M22, M23, M24, M25, M26, M27, M28, M29, M30)	M8 - GPG1430060M41AB	
111	0121G00465DG COND SIDE PANEL- 32 (M9, M10, M11, M12, M13, M14)	M9 - GPG1436040M41AA	
111	0121G00467DG COND SIDE PANEL-40 (M25, M26, M27)	M10 - GPG1436040M41AB	
111	20467701PDG LOUVERED PANEL, COND SIDE 32" (M1, M2, M3, M4, M5, M6, M7, M8, M15, M16, M17, M18)	M11 - GPG1436060M41AA	
111	20467702PDG LOUVERED PANEL, COND SIDE 40" (M19, M20, M21, M22, M23, M24, M28, M29, M30)	M12 - GPG1436060M41AB	
121	20466101PDG UTILITY PANEL 32" (M1, M2, M3, M4, M5, M6, M7, M8, M9, M10, M11, M12, M13, M14, M15, M16, M17, M18)	M13 - GPG1436080M41AA	
121	20466102PDG UTILITY PANEL 40" (M19, M20, M21, M22, M23, M24, M25, M26, M27, M28, M29, M30)	M14 - GPG1436080M41AB	
131	0121G00442DG PNL, DUCT, GAS 32.5" (M1, M2, M3, M4, M5, M6, M7, M8, M9, M10, M11, M12, M13, M14, M15, M16, M17, M18)	M15 - GPG1442060M41AA	
131	0121G00443DG PNL, DUCT, GAS 40" (M19, M20, M21, M22, M23, M24, M25, M26, M27, M28, M29, M30)	M16 - GPG1442060M41AB	
141	0121G00460 POST-SUPPORT, SIDE (M1, M2, M3, M4, M5, M6, M7, M8, M9, M10, M11, M12, M13, M14, M15, M16, M17, M18)	M17 - GPG1442080M41AA	
141	0121G00462 POST-SUPPORT, SIDE (M19, M20, M21, M22, M23, M24, M25, M26, M27, M28, M29, M30)	M18 - GPG1442080M41AB	
161	20464401PDG LOUVERED PANEL, COND SIDE 32" (M1, M2, M3, M4, M5, M6, M7, M8, M9, M10, M11, M12, M13, M14, M15, M16, M17, M18)	M19 - GPG1448060M41AA	
161	20464402PDG LOUVERED PANEL, COND SIDE 40" (M19, M20, M21, M22, M23, M24, M25, M26, M27, M28, M29, M30)	M20 - GPG1448060M41AB	
181	0121G00290 BASE PAN RAIL (QTY 2)	M21 - GPG1448080M41AA	
251	20464201PDG CORNER POST-COMP END 32" (M1, M2, M3, M4, M5, M6, M7, M8)	M22 - GPG1448080M41AB	
		M23 - GPG1448100M41AA	
		M24 - GPG1448100M41AB	
		M25 - GPG1460080M41AA	
		M26 - GPG1460100M41AA	
		M27 - GPG1460120M41AA	
		M28 - GPG1461080M41AA	
		M29 - GPG1461100M41AA	
		M30 - GPG1461120M41AA	

Partition Assembly



Partition Assembly

Ref. Part No:	Ref. Part No:	Description:	Description:
Image 1:		Expanded Model Nomenclature	
71	20465302	BLOWER DIVIDER (M19, M20, M21, M22, M23, M24, M25, M26, M27, M28, M29, M30)	M1 - GPG1424040M41AA
71	20465305	BLOWER DIVIDER (M1, M2, M3, M4, M5, M6, M7, M8)	M2 - GPG1424040M41AB
71	20465304	BLOWER DIVIDER 32" 10 X 9 (M9, M10, M11, M12, M13, M14, M15, M16, M17, M18)	M3 - GPG1424060M41AA
101	20465201	FILLER PANEL, HEAT EXCHANGER 32" (M1, M2, M3, M4, M5, M6, M7, M8, M9, M10, M11, M12, M13, M14, M15, M16, M17, M18)	M4 - GPG1424060M41AB
101	20465202	FILLER PANEL, HEAT EXCHANGER 40" (M19, M20, M21, M22, M23, M24, M25, M26, M27, M28, M29, M30)	M5 - GPG1430040M41AA
121	20465501	EVAP/HEAT EXCHANGER DIVIDER 32" (M1, M2, M3, M4, M5, M6, M7, M8, M9, M10, M11, M12, M13, M14, M15, M16, M17, M18)	M6 - GPG1430040M41AB
121	20465502	EVAP/HEAT EXCHANGER DIVIDER 38" (M19, M20, M21, M22, M23, M24, M25, M26, M27, M28, M29, M30)	M7 - GPG1430060M41AA
131	20465701	FAN PARTITION SHELF	M8 - GPG1430060M41AB
141	20465801	FAN SURROUND 32" (M1, M2, M3, M4, M5, M6, M7, M8, M9, M10, M11, M12, M13, M14, M15, M16, M17, M18)	M9 - GPG1436040M41AA
141	20465802	FAN SURROUND 40" (M19, M20, M21, M22, M23, M24, M25, M26, M27, M28, M29, M30)	M10 - GPG1436040M41AB
221	20463802	EVAP/BASEPAN BLOCK 32" (M1, M2, M3, M4, M5, M6, M7, M8, M9, M10, M11, M12, M13, M14, M15, M16, M17, M18)	M11 - GPG1436060M41AA
221	20463801	EVAP/BASEPAN BLOCK 40" (M19, M20, M21, M22, M23, M24, M25, M26, M27, M28, M29, M30)	M12 - GPG1436060M41AB
231	0121G00555	DRAIN CHANNEL, SUCTION TUBE	M13 - GPG1436080M41AA
			M14 - GPG1436080M41AB
			M15 - GPG1442060M41AA
			M16 - GPG1442060M41AB
			M17 - GPG1442080M41AA
			M18 - GPG1442080M41AB
			M19 - GPG1448060M41AA
			M20 - GPG1448060M41AB
			M21 - GPG1448080M41AA
			M22 - GPG1448080M41AB
			M23 - GPG1448100M41AA
			M24 - GPG1448100M41AB
			M25 - GPG1460080M41AA
			M26 - GPG1460100M41AA
			M27 - GPG1460120M41AA
			M28 - GPG1461080M41AA
			M29 - GPG1461100M41AA
			M30 - GPG1461120M41AA

Basepan / Blower Assembly

Image 1

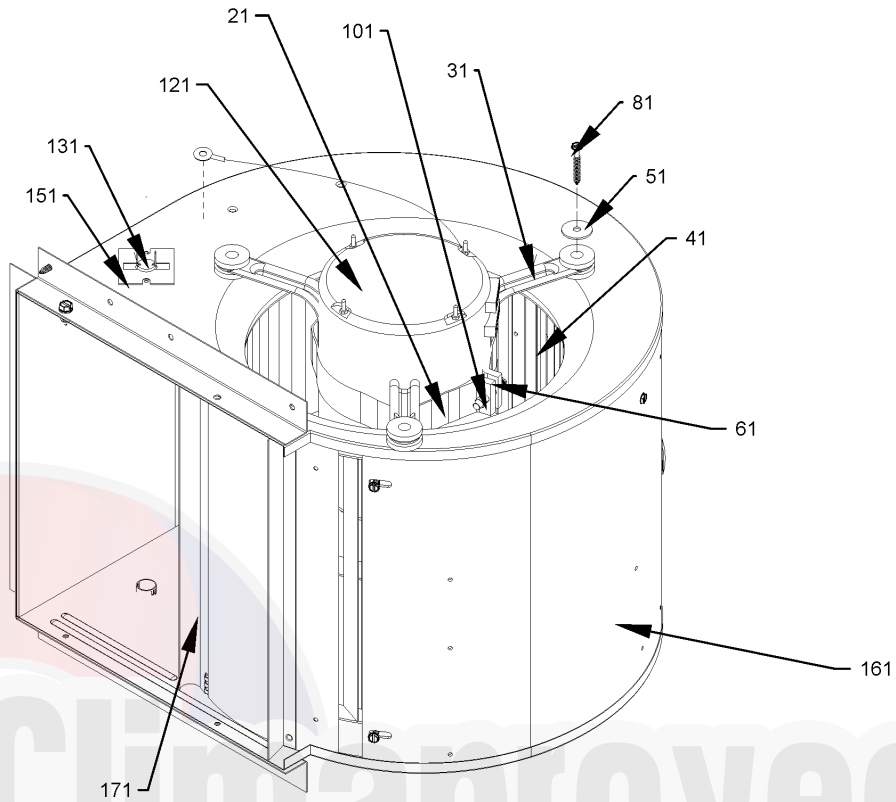
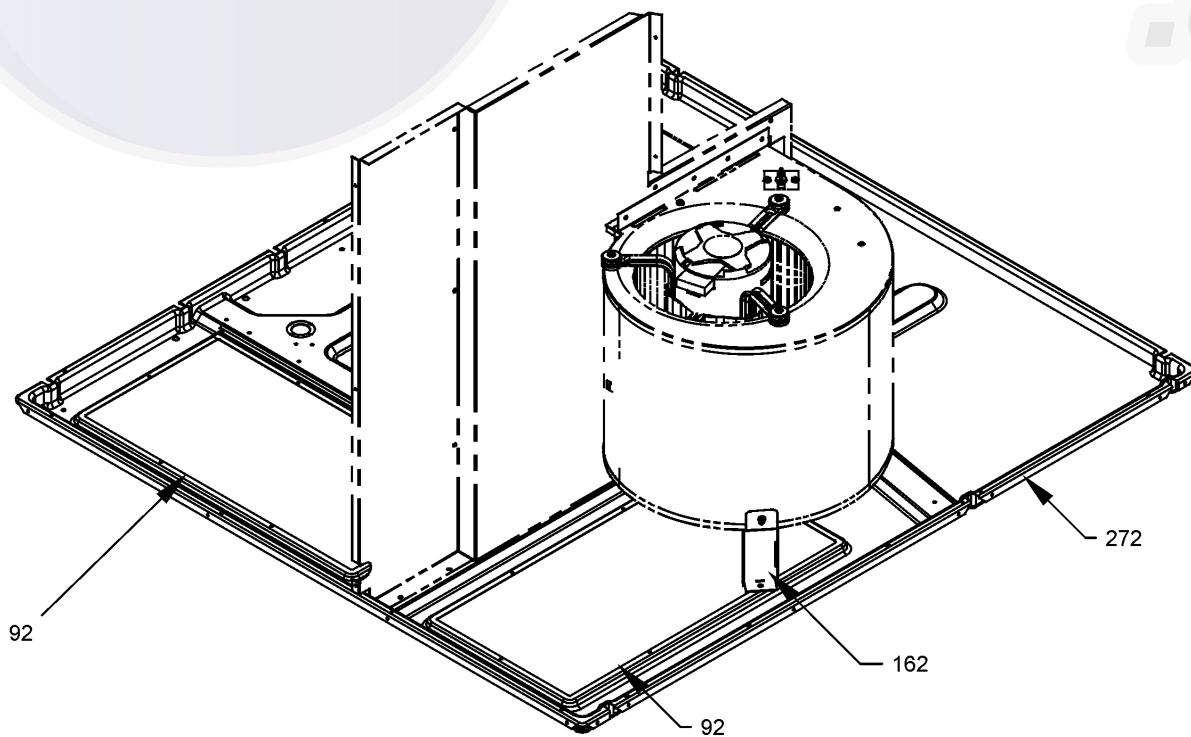


Image 2



Basepan / Blower Assembly

**Ref. Part
No: No:**

Description:

**Ref. Part
No: No:**

Description:

Image 1:

21	0121M00038	MOTOR MOUNT BAND
31	B1376857	MOTOR MOUNT ARM (QTY 3)
41	D6723303	BLOWER WHEEL (M9, M10, M11, M12, M13, M14, M15, M16, M17, M18)
41	B1368016	BLOWER WHEEL 10 X 8 (M1, M2, M3, M4, M5, M6, M7, M8)
41	B1368000	BLOWER WHEEL 11 X 10 (M19, M20, M21, M22, M23, M24, M25, M26, M27, M28, M29, M30)
51	B1392918	WASHER FLAT 1/4 ID X 1 OD (QTY 3)
61	B1393323	MACHINE SCREW HWH 1/4-20 X 1-1/2 BZ
81	M0250565	TC SCREW 1.25" (QTY 3)
101	B1393800	LOCKNUT, NYLON, INSERT 1/4, 20
121	0131G00010	PROGRAMMED MOTOR (M1, M2, M3, M4)
121	0131G00011	PROGRAMMED MOTOR (M5, M6, M7, M8)
121	0131G00012	PROGRAMMED MOTOR (M9, M10, M11, M12, M13, M14)
121	0131G00013	PROGRAMMED MOTOR (M15, M16, M17, M18)
121	0131G00014	PROGRAMMED MOTOR (M19, M20, M21, M22, M23, M24)
121	0131G00015	PROGRAMMED MOTOR (M25, M28)
121	0131G00053	PROGRAMMED MOTOR (M26, M29)
121	0131G00054	PROGRAMMED MOTOR (M27, M30)
131	20269903	AUXILIARY LIMIT, AUTO RESET
151	2509503F	AUXILIARY LIMIT BRACKET
151	2509503F	AUXILIARY LIMIT BRACKET
161	0271G00025	BLOWER HOUSING ASSY 10 X 8 (M1, M2, M3, M4, M5, M6, M7, M8)
161	0271G00024	BLOWER HOUSING ASSY 10 X 9 (M9, M10, M11, M12, M13, M14, M15, M16, M17, M18)
161	2539309	BLOWER HOUSING ASSY 11 X 10 (M19, M20, M21, M22, M23, M24, M25, M26, M27, M28, M29, M30)
171	764742	BLOWER BLOCK-OFF (M9, M10, M11, M12, M13, M14, M15, M16, M17, M18)
171	764740	BLOWER BLOCK-OFF 10 X 8 (M1, M2, M3, M4, M5, M6, M7, M8)
171	1864703F	BLOWER CUT-OFF (M19, M20, M21, M22, M23, M24, M25, M26, M27, M28, M29, M30)

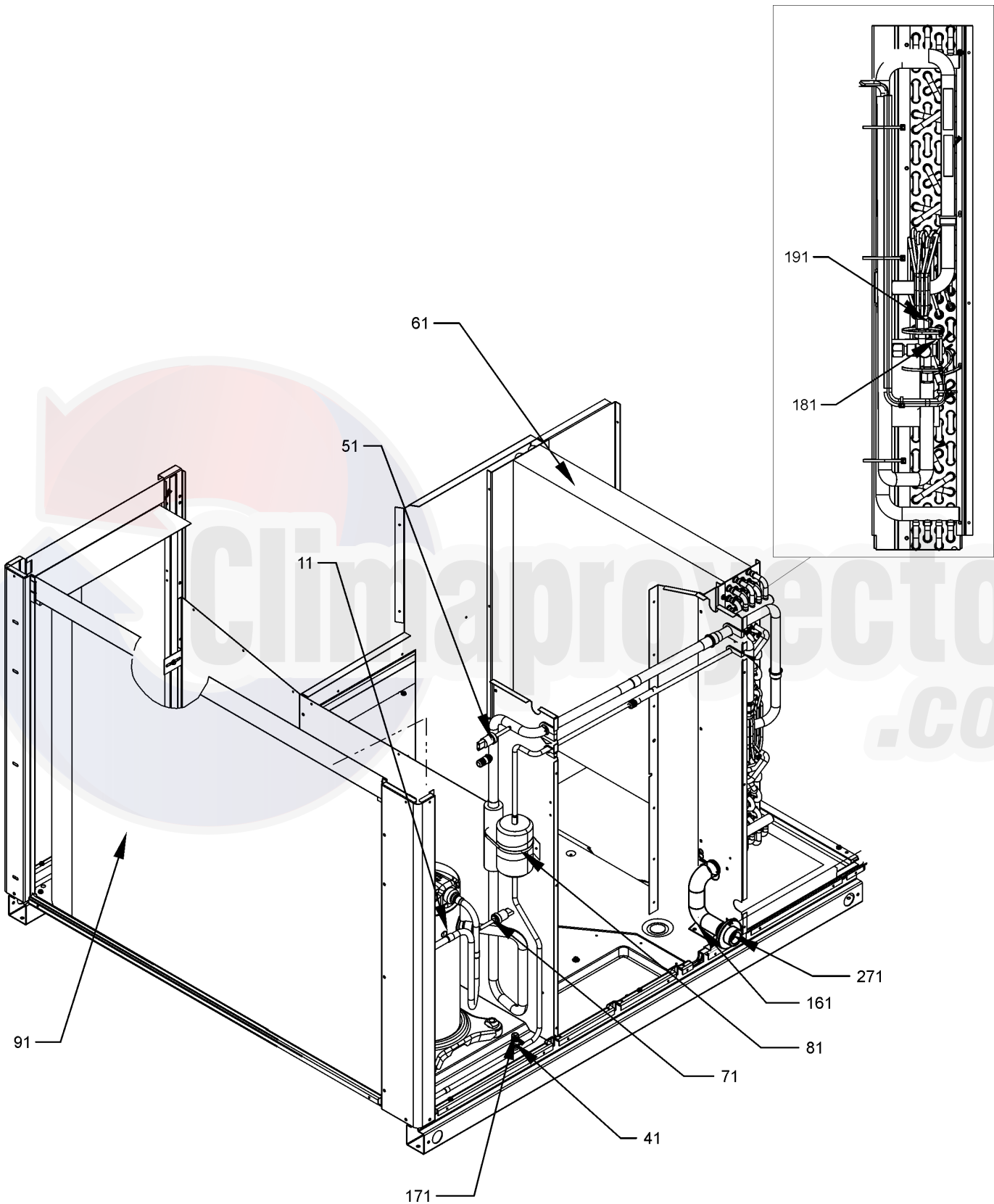
Image 2:

92	0121G00148	SINGLE COVER, DOWN DISCHARGE (QTY 2)
162	4322801	11 X 10 BLOWER SUPPORT LRG (M19, M20, M21, M22, M23, M24, M25, M26, M27, M28, M29, M30)
272	0121G00444	BASEPAN, PACKAGE

Expanded Model Nomenclature

M1 - GPG1424040M41AA
M2 - GPG1424040M41AB
M3 - GPG1424060M41AA
M4 - GPG1424060M41AB
M5 - GPG1430040M41AA
M6 - GPG1430040M41AB
M7 - GPG1430060M41AA
M8 - GPG1430060M41AB
M9 - GPG1436040M41AA
M10 - GPG1436040M41AB
M11 - GPG1436060M41AA
M12 - GPG1436060M41AB
M13 - GPG1436080M41AA
M14 - GPG1436080M41AB
M15 - GPG1442060M41AA
M16 - GPG1442060M41AB
M17 - GPG1442080M41AA
M18 - GPG1442080M41AB
M19 - GPG1448060M41AA
M20 - GPG1448060M41AB
M21 - GPG1448080M41AA
M22 - GPG1448080M41AB
M23 - GPG1448100M41AA
M24 - GPG1448100M41AB
M25 - GPG1460080M41AA
M26 - GPG1460100M41AA
M27 - GPG1460120M41AA
M28 - GPG1461080M41AA
M29 - GPG1461100M41AA
M30 - GPG1461120M41AA

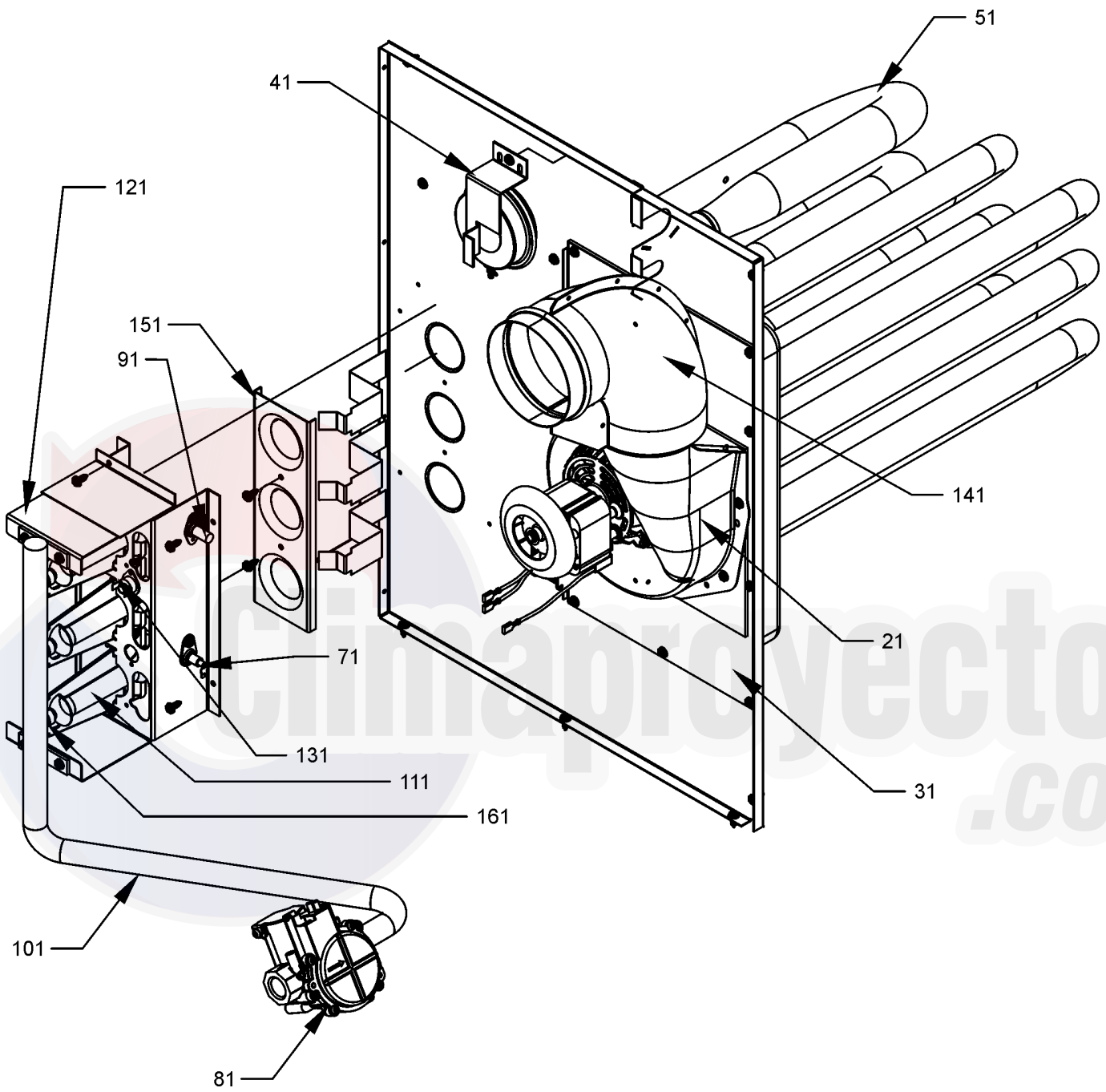
Compressor / Tubing Assembly



Compressor / Tubing Assembly

Ref. Part No: No:	Description:	Ref. Part No: No:	Description:
Image 1:		Image 1:	
11	50N492ZV-ZAKM 2.0TONRECHI COMPR.4 LEGS (M1, M2, M3, M4)	NS	0159G00006 COMPRESSOR SCROLL HARNESS (M19, M20, M21 M22, M23, M24)
11	ZPS51K5EPFV130 COMP, 51900/208/230/60/1 (M25, M26, M27)	NS	0159G00009 COMPRESSOR SCROLL HARNESS (M15, M16, M17 M18)
11	ZP29K5EPFV130 COMP,29000,208/230/60/1 (M9, M10, M11, M12, M13 M14)	NS	0159G00001 COMPRESSOR SOLENOID CABLE (M25, M26, M27, M28, M29, M30)
11	ZP25K5EPFV130 COMPRESSOR 25200, 208/230/60/1 (M5, M6, M7, M8)	NS	20464901DF DRAIN PAN-EVAP COIL
11	ZP34K5EPFV130 COMPRESSOR 34500, 208/230/60/1 (M15, M16, M17, M18)	NS	60140209 GROMMET - RECHI COMPRESSOR (M1, M2, M3, M4)
11	ZP39K5EPFV130 COMPRESSOR 39000, 208/230/60/1 (M19, M20, M21, M22, M23, M24)	NS	B1810011 HOSE CLAMP 1.25 (QTY 2)
11	ZPS49K5EPFV130 COMPRESSOR 49100, 208/230/60/1 (M28, M29, M30)	NS	60100107 TERMINAL COVER GASKET (M1, M2, M3, M4)
41	B1373315 ACCESS FITTING (QTY 2)	NS	60100401 TERMINAL NUT - RECHI COMP (M1, M2, M3, M4)
51	0130M00087 CUT-OUT SWITCH, LOW PRESSURE (M25, M26, M27, M28, M29, M30)	NS	0163M00186 TF SHOULDER SCREW (M1, M2, M3, M4)
61	0202G00538 EVAPORATOR COIL ASSY (M25, M26, M27, M28, M29, M30)	NS	M0221641 TF SHOULDER SCREW (M5, M6, M7, M8, M9, M10, M11, M12, M13, M14, M15, M16, M17, M18, M19, M20, M21, M22, M23, M24, M25, M26, M27, M28, M29, M30)
61	0202G00565 EVAPORATOR COIL ASSY (M1, M2, M3, M4)	NS	M0221641 TF SHOULDER SCREW (M5, M6, M7, M8, M9, M10, M11, M12, M13, M14, M15, M16, M17, M18, M19, M20, M21, M22, M23, M24, M25, M26, M27, M28, M29, M30)
61	0202G00566 EVAPORATOR COIL ASSY (M5, M6, M7, M8)		
61	0202G00567 EVAPORATOR COIL ASSY (M9, M10, M11, M12, M13, M14)		
61	0202G00685 EVAPORATOR COIL ASSY (M19, M20, M21, M22, M23, M24)	NS	60100201 WASHER - RECHI COMPRESSOR (M1, M2, M3, M4)
61	0202G00697 EVAPORATOR COIL ASSY (M15, M16, M17, M18)		
71	0130M00074 CUT-OUT SWITCH, HIGH PRESSURE		
81	0162R00009 FILTER DRIER (M25, M26, M27)		
81	B1219212 SINGLE-FLOW FILTER DRIER, STEEL (M1, M2, M3, M4, M5, M6, M7, M8, M9, M10, M11, M12, M13, M14)		
81	B1219225 SINGLE-FLOW FILTER DRIER, STEEL (M15, M16, M17, M18, M19, M20, M21, M22, M23, M24, M28, M29, M30)		
91	0201G00139 COND COIL TUBING ASSY (M19, M20, M21, M22, M23, M24)		
91	0201G00142 COND COIL TUBING ASSY (M1, M2, M3, M4, M5, M6, M7, M8)		
91	0201G00249 COND COIL TUBING ASSY (M9, M10, M11, M12, M13, M14)		
91	0201G00252 COND COIL TUBING ASSY (M25, M26, M27)		
91	0201G00262 COND COIL TUBING ASSY (M15, M16, M17, M18)		
91	0201G00369 COND COIL TUBING ASSY (M28, M29, M30)		
161	20498302 DRAIN TUBE 32" (M1, M2, M3, M4, M5, M6, M7, M8, M9, M10, M11, M12, M13, M14, M15, M16, M17, M18)		
161	20498301 DRAIN TUBE 40" (M19, M20, M21, M22, M23, M24, M25, M26, M27, M28, M29, M30)		
171	0163M00175 CAP WITH O-RING (QTY 2)		
181	0151M00047 VALVE, NXT (M25, M26, M27, M28, M29, M30)		
191	0162M00301 FLOWRATOR (M15, M16, M17, M18)		
191	0162M00302 FLOWRATOR (M5, M6, M7, M8)		
191	0162M00303 FLOWRATOR (M25, M26, M27, M28, M29, M30)		
191	0162M00307 FLOWRATOR (M1, M2, M3, M4)		
191	0162M00308 FLOWRATOR (M9, M10, M11, M12, M13, M14)		
191	0162M00328 FLOWRATOR (M19, M20, M21, M22, M23, M24)		
271	20513001 EVAP DRAIN FITTING		
NS	0259G00023 BLOWER HARNESS (M19, M20, M21, M22, M23, M24)		
NS	0259G00209 BLOWER HARNESS (M1, M2, M3, M4, M5, M6, M7, M8, M9, M10, M11, M12, M13, M14, M15, M16, M17, M18)		
NS	B1339533 COMPRESSOR GROMMET (M5, M6, M7, M8, M9, M10, M11, M12, M13, M14, M15, M16, M17, M18, M19, M20, M21, M22, M23, M24, M25, M26, M27, M28, M29, M30)		
NS	0159G00002 COMPRESSOR SCROLL HARNESS (M5, M6, M7, M8, M9, M10, M11, M12, M13, M14)		
NS	0159G00005 COMPRESSOR SCROLL HARNESS (M25, M26, M27, M28, M29, M30)		
		Expanded Model Nomenclature	
		M1 - GPG1424040M41AA	
		M2 - GPG1424040M41AB	
		M3 - GPG1424060M41AA	
		M4 - GPG1424060M41AB	
		M5 - GPG1430040M41AA	
		M6 - GPG1430040M41AB	
		M7 - GPG1430060M41AA	
		M8 - GPG1430060M41AB	
		M9 - GPG1436040M41AA	
		M10 - GPG1436040M41AB	
		M11 - GPG1436060M41AA	
		M12 - GPG1436060M41AB	
		M13 - GPG1436080M41AA	
		M14 - GPG1436080M41AB	
		M15 - GPG1442060M41AA	
		M16 - GPG1442060M41AB	
		M17 - GPG1442080M41AA	
		M18 - GPG1442080M41AB	
		M19 - GPG1448060M41AA	
		M20 - GPG1448060M41AB	
		M21 - GPG1448080M41AA	
		M22 - GPG1448080M41AB	
		M23 - GPG1448100M41AA	
		M24 - GPG1448100M41AB	
		M25 - GPG1460080M41AA	
		M26 - GPG1460100M41AA	
		M27 - GPG1460120M41AA	
		M28 - GPG1461080M41AA	
		M29 - GPG1461100M41AA	
		M30 - GPG1461120M41AA	

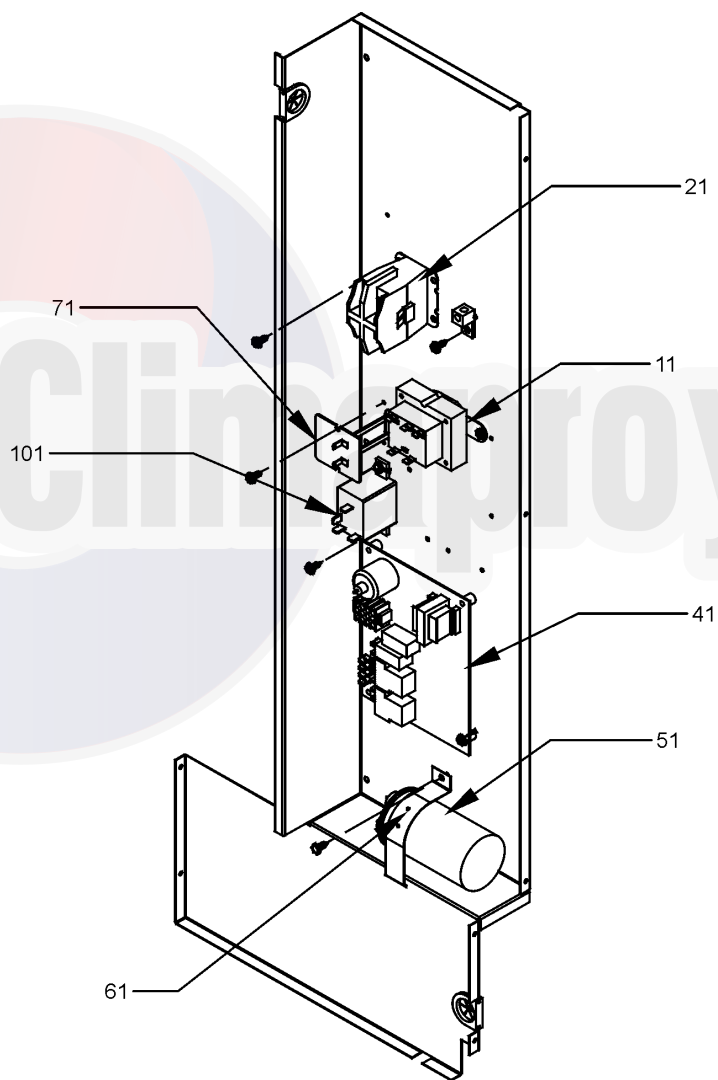
Heat Exchanger / Manifold / Gas Valve



Heat Exchanger / Manifold / Gas Valve

Ref. Part No: No:	Description:	Ref. Part No: No:	Description:
Image 1:		Image 1:	
21 0131G00000P	ID BLOWER (M1, M2, M3, M4, M5, M6, M7, M8, M9, M10, M11, M12, M13, M14, M15, M16, M17, M18, M19, M20, M21, M22, M23, M24)	NS 20462801	ID BLOWER PLATE GASKET SML (M1, M2, M3, M4, M5, M6, M7, M8, M9, M10, M11, M12, M13, M14, M15, M16, M17, M18)
21 0131G00001	ID BLOWER (M25, M26, M27, M28, M29, M30)	Expanded Model Nomenclature	
31 0121G00583	PLATE-ID BLWR LRG BRNR (M19, M20)	M1 - GPG1424040M41AA	
31 0121G00584	PLATE-ID BLWR LRG BRNR (M21, M22, M25, M28)	M2 - GPG1424040M41AB	
31 0121G00604	PLATE-ID BLWR LRG BRNR (M27, M30)	M3 - GPG1424060M41AA	
31 0121G00580	PLATE-ID BLWR LRG 4 BRNR (M13, M14, M17, M18)	M4 - GPG1424060M41AB	
31 0121G00581	PLATE-ID BLWR LRG 5 BRNR (M23, M24)	M5 - GPG1430040M41AA	
31 0121G00582	PLATE-ID BLWR LRG 6 BRNR (M26, M29)	M6 - GPG1430040M41AB	
31 0121G00578	PLATE-ID BLWR SML 2 BRNR (M1, M2, M5, M6, M9, M10)	M7 - GPG1430060M41AA	
31 0121G00579	PLATE-ID BLWR SML 3 BRNR (M3, M4, M7, M8, M11, M12, M15, M16)	M8 - GPG1430060M41AB	
41 11112501	PRESSURE SWITCH	M9 - GPG1436040M41AA	
51 20490714	ASSY, PART/TUBE (M1, M2, M5, M6, M9, M10)	M10 - GPG1436040M41AB	
51 20490716	ASSY, PART/TUBE (M19, M20)	M11 - GPG1436060M41AA	
51 20490707	PART/TUBE ASSY 3B (M3, M4, M7, M8, M11, M12, M15, M16)	M12 - GPG1436060M41AB	
51 20490703	PART/TUBE ASSY 4B (M13, M14, M17, M18)	M13 - GPG1436080M41AA	
51 20490704	PART/TUBE ASSY 4B (M21, M22, M25, M28)	M14 - GPG1436080M41AB	
51 20490705	PART/TUBE ASSY 5B (M23, M24, M26, M29)	M15 - GPG1442060M41AA	
51 20490706	PART/TUBE ASSY 6B (M27, M30)	M16 - GPG1442060M41AB	
71 0130F00014	IGNITOR	M17 - GPG1442080M41AA	
81 0151F00000P	GAS VALVE - WHITE-RODGERS 2-STAGE (M25, M26, M27, M28, M29, M30)	M18 - GPG1442080M41AB	
81 B1282628	GAS VALVE (36G) (M2, M4, M6, M8, M10, M12, M14, M16, M18, M20, M22, M24)	M19 - GPG1448060M41AA	
81 0151M00013	GAS VALVE (HW) SINGLE STAGE (M1, M3, M5, M7, M9, M11, M13, M15, M17, M19, M21, M23)	M20 - GPG1448060M41AB	
91 0130F00010	FLAME SENSOR	M21 - GPG1448080M41AA	
101 0121M00035P	MANIFOLD - 2 BRNR (M1, M2, M5, M6, M9, M10)	M22 - GPG1448080M41AB	
101 0121M00036P	MANIFOLD - 3 BRNR (M19, M20)	M23 - GPG1448100M41AA	
101 20493103	MANIFOLD - 3 BRNR (M3, M4, M7, M8, M11, M12, M15, M16)	M24 - GPG1448100M41AB	
101 20493104	MANIFOLD - 4 BRNR (M13, M14, M17, M18)	M25 - GPG1460080M41AA	
101 20493105	MANIFOLD - 4 BRNR (M21, M22, M25, M28)	M26 - GPG1460100M41AA	
101 20493106	MANIFOLD - 5 BRNR (M23, M24, M26, M29)	M27 - GPG1460120M41AA	
101 20493107	MANIFOLD - 6 BRNR (M27, M30)	M28 - GPG1461080M41AA	
111 0163F00017	BECKETT BURNER (QTY A/R)	M29 - GPG1461100M41AA	
121 20190410	BURNER BRACKET 2B (M1, M2, M5, M6, M9, M10)	M30 - GPG1461120M41AA	
121 20190411	BURNER BRACKET 3B (M3, M4, M7, M8, M11, M12, M15, M16, M19, M20)		
121 20190412	BURNER BRACKET 4B (M13, M14, M17, M18, M21, M22, M25, M28)		
121 20190413	BURNER BRACKET 5B (M23, M24, M26, M29)		
121 0121F00145	BURNER BRACKET 6B (M27, M30)		
131 10123532	MANUAL RESET LIMIT 350°F (M1, M2, M3, M4, M5, M6, M7, M8, M9, M10, M11, M12, M13, M14, M15, M16, M17, M18, M19, M20, M21, M22, M23, M24)		
131 10123529	MANUAL RESET LIMIT-GREEN (M25, M26, M27, M28, M29, M30)		
141 20484401	FLUE ELBOW LEFT		
141 20484402	FLUE ELBOW RIGHT		
151 11072201	ORIFICE SHIELD (M1, M2, M5, M6, M9, M10)		
151 11072202	ORIFICE SHIELD (M3, M4, M7, M8, M11, M12, M15, M16, M19, M20)		
151 11072203	ORIFICE SHIELD (M13, M14, M17, M18, M21, M22, M25, M28)		
151 11072204	ORIFICE SHIELD (M23, M24, M26, M29)		
151 11072205	ORIFICE SHIELD (M27, M30)		
161 10716005	ORIFICE (QTY A/R)		
NS 20463001	ID BLOWER PLATE GASKET LRG (M19, M20, M21, M22, M23, M24, M25, M26, M27, M28, M29, M30)		

Control Panel



Control Panel

**Ref. Part
No: No:**

Description:

**Ref. Part
No: No:**

Description:

Image 1:

11	0130M00138	TRANSFORMER 208/230, 24V (M1, M2, M3, M4, M5, M6, M7, M8, M9, M10, M11, M12, M13, M14, M15, M16, M17, M18, M19, M20, M21, M22, M23, M24)
21	CONT1P025024V	CONTACTOR 25 AMP, 1P, 24V (M1, M2, M3, M4, M5, M6, M7, M8, M9, M10, M11, M12, M13, M14)
21	CONT1P030024V	CONTACTOR 30 AMP, 1P, 24V (M15, M16, M17, M18, M19, M20, M21, M22, M23, M24)
21	CONT2P040024V	CONTACTOR 40 AMP, 2P, 24V (M25, M26, M27, M28, M29, M30)
41	PCBAG123	IGNITION BOARD, DSI INTEGRATED (M1, M2, M3, M4, M5, M6, M7, M8, M9, M10, M11, M12, M13, M14, M15, M16, M17, M18, M19, M20, M21, M22, M23, M24)
41	PCBAG127	IGNITION BOARD, DSI, 2 STG (M25, M26, M27, M28, M29, M30)
51	CAP100400440CT	CAP, 10/40 MFD, 440V/ DUAL RD (M28, M29, M30)
51	CAP050400440CT	CAPACITOR 5/40/440V/DUAL RD (M5, M6, M7, M8, M25, M26, M27)
51	CAP050450440CT	CAPACITOR 5/45/440V/DUAL RD (M1, M2, M3, M4, M9, M10, M11, M12, M13, M14, M15, M16, M17, M18, M19, M20, M21, M22, M23, M24)
61	20520901	CAPACITOR STRAP
71	10728342	LIMIT SWITCH (M1, M2, M3, M4, M5, M6, M7, M8, M9, M10, M11, M12, M13, M14, M15, M16, M17, M18)
71	10728343	LIMIT SWITCH (M25, M26, M27, M28, M29, M30)
71	10728344	LIMIT SWITCH (M19, M20, M21, M22, M23, M24)
101	B1370751	24V RELAY (M1, M2, M3, M4, M5, M6, M7, M8, M9, M10, M11, M12, M13, M14, M15, M16, M17, M18, M19, M20, M21, M22, M23, M24)
NS	0259G00214	ECONOMIZER HARNESS (M19, M20, M21, M22, M23, M24)
NS	0259G00083	HARNESS-CONTROL, FAN (M19, M20, M21, M22, M23, M24)
NS	0259G00117	HARNESS-CONTROL, FAN (M25, M26, M27, M28, M29, M30)
NS	0259G00207	HARNESS-CONTROL, FAN (M1, M2, M3, M4, M5, M6, M7, M8, M9, M10, M11, M12, M13, M14, M15, M16, M17, M18)
NS	0259G00113	PLUG ASSY, 12 PIN MALE (M19, M20, M21, M22, M23, M24)
NS	0259G00044	WIRE HARNESS, 9 CIRCUIT (M25, M26, M27, M28, M29, M30)
NS	0259G00031	WIRE HARNESS, ECONOMIZER (M25, M26, M27, M28, M29, M30)

Expanded Model Nomenclature

M1 - GPG1424040M41AA
M2 - GPG1424040M41AB
M3 - GPG1424060M41AA
M4 - GPG1424060M41AB
M5 - GPG1430040M41AA
M6 - GPG1430040M41AB
M7 - GPG1430060M41AA
M8 - GPG1430060M41AB
M9 - GPG1436040M41AA
M10 - GPG1436040M41AB
M11 - GPG1436060M41AA
M12 - GPG1436060M41AB
M13 - GPG1436080M41AA
M14 - GPG1436080M41AB
M15 - GPG1442060M41AA
M16 - GPG1442060M41AB
M17 - GPG1442080M41AA
M18 - GPG1442080M41AB
M19 - GPG1448060M41AA
M20 - GPG1448060M41AB
M21 - GPG1448080M41AA
M22 - GPG1448080M41AB
M23 - GPG1448100M41AA
M24 - GPG1448100M41AB
M25 - GPG1460080M41AA
M26 - GPG1460100M41AA
M27 - GPG1460120M41AA
M28 - GPG1461080M41AA
M29 - GPG1461100M41AA
M30 - GPG1461120M41AA

