

UP TO 14.5 SEER  
1½ TO 5 TONS

ENERGY-EFFICIENT  
SPLIT SYSTEM AIR CONDITIONER



### ■ Contents

Nomenclature.....	2
Product Specifications.....	3
Expanded Cooling Data.....	4
AHRI Ratings (see note).....	22
Dimensions.....	23
Wiring Diagrams.....	24
Accessories.....	27

# Climaproyectos

### ■ Standard Features

- Energy-efficient compressor
- Single-speed PSC condenser fan motor
- Factory-installed filter drier
- Copper tube/aluminum fin coil
- Service valves with sweat connections and easy-access gauge ports
- AHRI Certified; ETL Listed

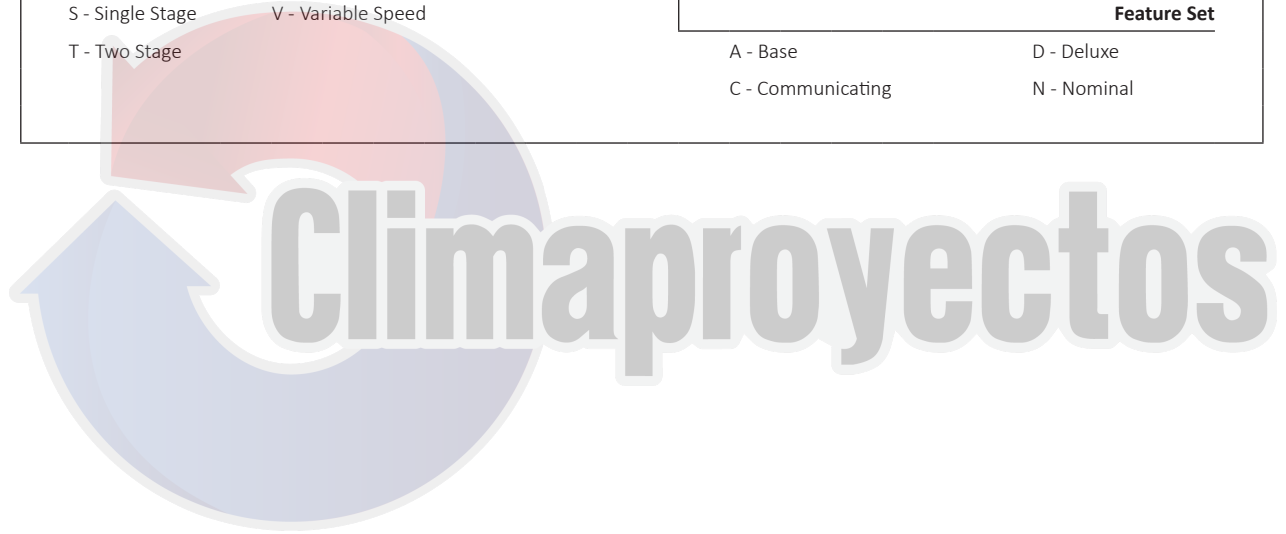
### ■ Cabinet Features

- Heavy-gauge galvanized-steel cabinet with louvered sound control top
- Steel louver coil guard
- Custom Nickel Gray powder-paint finish
- 500-hour salt-spray tested
- Top and side maintenance access
- Single-panel access to controls with space provided for field-installed accessories
- When properly anchored, meets the 2017 Florida Building Code unit integrity requirements for hurricane-type winds (Anchor bracket kits available.)



\* Complete warranty details available from your local dealer/contractor or at [www.daikincomfort.com](http://www.daikincomfort.com). To receive 2-Year Unit Replacement Limited Warranty and the 12-Year Parts Limited Warranty, online registration must be completed within 60 days of installation. Online registration not required in California or Québec.

	<b>D</b>	<b>X</b>	<b>13</b>	<b>S</b>	<b>N</b>	<b>036</b>	<b>3</b>	<b>AA</b>	
	1	2	3,4	5	6	7,8,9	10	11,12	
<b>Brand</b>	D - Daikin								<b>Engineering *</b> Major / Minor revision * Not used for inventory control.
<b>Type</b>	X - AC R-410A Z - HP R-410A								<b>Voltage</b> 1 - 208/230 V Single-Phase 60 Hz
<b>SEER</b>	13 - 13 SEER 14 - 14 SEER	16 - 16 SEER 18 - 18 SEER							<b>Nominal Tonnage</b>
<b>Compressor</b>	S - Single Stage T - Two Stage		V - Variable Speed						
						018 - 1½ tons 024 - 2 tons 030 - 2½ tons 036 - 3 tons	042 - 3½ tons 048 - 4 tons 060 - 5 tons 061 - 5 tons (hi-capacity)		<b>Feature Set</b>
						A - Base C - Communicating	D - Deluxe N - Nominal		



	DX13SN 0181A*	DX13SN 0241B*	DX13SN 0301A*	DX13SN 0361A*	DX13SN 0421A*	DX13SN 0481A*	DX13SN 0601A*	DX13SN 0611A*
<b>CAPACITIES</b>								
Nominal Cooling (BTU/h)	18,000	23,000	28,400	33,600	40,000	46,000	57,000	56,500
Decibels	75	75	73	74	75	76	77	77
<b>COMPRESSOR</b>								
RLA	9.0	7.7	12.8	14.1	17.9	19.9	25.0	26.4
LRA	48	37	64	77	112	109	134	134
<b>CONDENSER FAN MOTOR</b>								
Horsepower	1/8	1/8	1/8	1/4	1/4	1/4	1/4	1/4
FLA	0.7	0.65	0.65	1.4	1.4	1.4	1.4	1.3
<b>REFRIGERATION SYSTEM</b>								
Refrigerant Line Size								
Liquid Line Size ("O.D.)	3/8"	3/8"	3/8"	3/8"	3/8"	3/8"	3/8"	3/8"
Suction Line Size ("O.D.)	3/4"	3/4"	3/4"	7/8"	1 1/8"	1 1/8"	1 1/8"	1 1/8"
Refrigerant Connection Size								
Liquid Valve Size ("O.D.)	3/8"	3/8"	3/8"	3/8"	3/8"	3/8"	3/8"	3/8"
Suction Valve Size ("O.D.) <sup>4 5</sup>	3/4"	3/4"	3/4"	3/4" <sup>4</sup>	7/8" <sup>5</sup>	7/8" <sup>5</sup>	7/8" <sup>5</sup>	7/8" <sup>5</sup>
Valve Type	Sweat	Sweat	Sweat	Sweat	Sweat	Sweat	Sweat	Sweat
Refrigerant Charge (oz.)	69	60	60	62	80	91	94	111
Shipped with Orifice Size (in.)	0.051	0.055	0.061	0.070	0.076	0.080	0.086	0.086
<b>ELECTRICAL DATA</b>								
Voltage/ Phase (60 Hz)	208-230/1	208-230/1	208-230/1	208-230/1	208-230/1	208-230/1	208-230/1	208-230/1
Minimum Circuit Ampacity <sup>2</sup>	12	10.3	16.7	19	23.8	26.3	32.7	34.3
Max. Overcurrent Protection <sup>3</sup>	20 amps	15 amps	25 amps	30 amps	40 amps	45 amps	50 amps	60 amps
Min / Max Volts	197/253	197/253	197/253	197/253	197/253	197/253	197/253	197/253
Electrical Conduit Size	1/2" or 3/4"	1/2" or 3/4"	1/2" or 3/4"	1/2" or 3/4"	1/2" or 3/4"	1/2" or 3/4"	1/2" or 3/4"	1/2" or 3/4"
<b>SHIP WEIGHT (LBS)</b>								
	117	120	132	135	189	193	202	233

<sup>1</sup> Line sizes denoted for 25' line sets, tested and rated in accordance with AHRI Standard 210/240. For other line-set lengths or sizes, refer to the installation & Operating instructions and/or the long line-set guidelines.

<sup>2</sup> Wire size should be determined in accordance with National Electrical Codes; extensive wire runs will require larger wire sizes

<sup>3</sup> Must use time-delay fuses or HACR-type circuit breakers of the same size as noted.

<sup>4</sup> Installer will need to supply 3/4" to 7/8" adapters for suction line connections.

<sup>5</sup> Installer will need to supply 7/8" to 1 1/8" adapters for suction line connections.

**NOTES**

- Always check the S&R plate for electrical data on the unit being installed.
- Unit is charged with refrigerant for 15' of 3/8" liquid line. System charge must be adjusted per Installation Instructions Final Charge Procedure.

IDB	AIRFLOW	OUTDOOR AMBIENT TEMPERATURE																								
		65°F				75°F				85°F				95°F				105°F				115°F				
		59	63	67	71	59	63	67	71	59	63	67	71	59	63	67	71	59	63	67	71	59	63	67	71	
<b>70</b>	<b>525</b>	MBh	15.6	16.2	17.7	-	15.3	15.8	17.3	-	14.9	15.4	16.9	-	14.5	15.1	16.5	-	13.8	14.3	15.7	-	12.8	13.3	14.5	-
		S/T	0.72	0.60	0.41	-	0.74	0.62	0.43	-	0.76	0.64	0.44	-	0.79	0.66	0.45	-	0.82	0.68	0.47	-	0.82	0.69	0.48	-
		Δ T	20	17	13	-	20	17	13	-	20	17	13	-	20	17	13	-	20	17	13	-	18	16	12	-
		KW	1.26	1.28	1.32	-	1.34	1.37	1.41	-	1.42	1.44	1.49	-	1.48	1.51	1.56	-	1.54	1.57	1.62	-	1.59	1.62	1.67	-
		Amps	4.6	4.7	4.8	-	4.9	5.1	5.2	-	5.4	5.5	5.7	-	5.7	5.8	6.0	-	6.1	6.2	6.4	-	6.4	6.6	6.8	-
		Hi/PR	216	232	245	-	242	260	275	-	275	296	313	-	313	337	356	-	353	379	401	-	390	419	443	-
	Lo/PR	102	108	118	-	107	114	125	-	112	119	130	-	117	125	136	-	123	131	143	-	127	135	148	-	
	<b>650</b>	MBh	16.9	17.6	19.2	-	16.5	17.1	18.8	-	16.1	16.7	18.3	-	15.8	16.3	17.9	-	15.0	15.5	17.0	-	13.9	14.4	15.7	-
		S/T	0.74	0.62	0.43	-	0.77	0.64	0.45	-	0.79	0.66	0.46	-	0.81	0.68	0.47	-	0.85	0.71	0.49	-	0.85	0.71	0.49	-
		Δ T	18	15	12	-	18	16	12	-	18	16	12	-	18	16	12	-	18	15	12	-	17	14	11	-
		KW	1.28	1.31	1.34	-	1.37	1.40	1.44	-	1.45	1.48	1.52	-	1.52	1.55	1.59	-	1.57	1.61	1.66	-	1.62	1.66	1.71	-
		Amps	4.7	4.8	5.0	-	5.1	5.2	5.4	-	5.5	5.6	5.8	-	5.9	6.0	6.2	-	6.2	6.4	6.6	-	6.6	6.8	7.0	-
Hi/PR		222	239	253	-	249	268	283	-	284	305	322	-	323	348	367	-	363	391	413	-	402	432	456	-	
Lo/PR	105	112	122	-	111	118	129	-	115	122	134	-	121	129	140	-	127	135	147	-	131	139	152	-		
<b>675</b>	MBh	16.9	17.6	19.2	-	16.5	17.1	18.8	-	16.1	16.7	18.3	-	15.8	16.3	17.9	-	15.0	15.5	17.0	-	13.9	14.4	15.7	-	
	S/T	0.74	0.62	0.43	-	0.77	0.64	0.45	-	0.79	0.66	0.46	-	0.81	0.68	0.47	-	0.85	0.71	0.49	-	0.85	0.71	0.49	-	
	Δ T	17	15	11	-	17	15	11	-	17	15	11	-	17	15	11	-	17	15	11	-	16	14	11	-	
	KW	1.28	1.31	1.34	-	1.37	1.40	1.44	-	1.45	1.48	1.52	-	1.52	1.55	1.59	-	1.57	1.61	1.66	-	1.62	1.66	1.71	-	
	Amps	4.7	4.8	5.0	-	5.1	5.2	5.4	-	5.5	5.6	5.8	-	5.9	6.0	6.2	-	6.2	6.4	6.6	-	6.6	6.8	7.0	-	
	Hi/PR	222	239	253	-	249	268	283	-	284	305	322	-	323	348	367	-	363	391	413	-	402	432	456	-	
Lo/PR	105	112	122	-	111	118	129	-	115	122	134	-	121	129	140	-	127	135	147	-	131	139	152	-		

IDB	AIRFLOW	OUTDOOR AMBIENT TEMPERATURE																								
		65°F				75°F				85°F				95°F				105°F				115°F				
		59	63	67	71	59	63	67	71	59	63	67	71	59	63	67	71	59	63	67	71	59	63	67	71	
<b>75</b>	<b>525</b>	MBh	15.9	16.4	17.7	19.0	15.5	16.0	17.3	18.6	15.2	15.6	16.9	18.1	14.8	15.2	16.5	17.7	14.0	14.5	15.7	16.8	13.0	13.4	14.5	15.6
		S/T	0.81	0.73	0.55	0.35	0.84	0.75	0.57	0.37	0.86	0.77	0.59	0.38	0.89	0.80	0.60	0.39	0.93	0.83	0.63	0.40	0.93	0.84	0.63	0.41
		Δ T	23	21	17	12	23	21	17	12	23	21	17	12	23	21	17	12	23	21	17	12	21	20	16	11
		KW	1.27	1.29	1.33	1.36	1.35	1.38	1.42	1.46	1.43	1.46	1.50	1.54	1.49	1.52	1.57	1.62	1.55	1.58	1.63	1.68	1.60	1.63	1.68	1.73
		Amps	4.6	4.7	4.9	5.1	5.0	5.1	5.3	5.5	5.4	5.5	5.7	5.9	5.8	5.9	6.1	6.3	6.1	6.3	6.5	6.7	6.5	6.6	6.9	7.1
		Hi/PR	218	234	247	258	244	263	278	290	278	299	316	329	317	341	360	375	356	383	405	422	393	423	447	466
	Lo/PR	103	109	119	127	109	115	126	134	113	120	131	140	118	126	138	147	124	132	144	154	128	137	149	159	
	<b>650</b>	MBh	17.2	17.7	19.2	20.6	16.8	17.3	18.7	20.1	16.4	16.9	18.3	19.6	16.0	16.5	17.9	19.2	15.2	15.7	17.0	18.2	14.1	14.5	15.7	16.9
		S/T	0.84	0.75	0.57	0.37	0.87	0.78	0.59	0.38	0.90	0.80	0.61	0.39	0.93	0.83	0.63	0.40	0.96	0.86	0.65	0.42	0.97	0.87	0.66	0.42
		Δ T	21	19	16	11	21	19	16	11	21	19	16	11	21	19	16	11	21	19	16	11	19	18	15	10
		KW	1.29	1.32	1.35	1.39	1.38	1.41	1.45	1.49	1.46	1.49	1.53	1.58	1.53	1.56	1.61	1.65	1.59	1.62	1.67	1.72	1.64	1.67	1.72	1.78
		Amps	4.8	4.9	5.0	5.2	5.1	5.2	5.4	5.6	5.6	5.7	5.9	6.1	5.9	6.1	6.3	6.5	6.3	6.4	6.7	6.9	6.7	6.8	7.0	7.3
Hi/PR		225	242	255	266	252	271	286	299	287	308	326	340	326	340	351	371	367	395	417	435	406	437	461	481	
Lo/PR	106	113	123	131	112	119	130	138	116	124	135	144	122	130	142	151	128	136	149	158	132	141	154	164		
<b>675</b>	MBh	17.2	17.7	19.2	20.6	16.8	17.3	18.7	20.1	16.4	16.9	18.3	19.6	16.0	16.5	17.9	19.2	15.2	15.7	17.0	18.2	14.1	14.5	15.7	16.9	
	S/T	0.84	0.75	0.57	0.37	0.87	0.78	0.59	0.38	0.90	0.80	0.61	0.39	0.93	0.83	0.63	0.40	0.96	0.86	0.65	0.42	0.97	0.87	0.66	0.42	
	Δ T	20	18	15	10	20	18	15	10	20	18	15	10	20	19	15	11	20	18	15	11	19	17	14	10	
	KW	1.29	1.32	1.35	1.39	1.38	1.41	1.45	1.49	1.46	1.49	1.53	1.58	1.53	1.56	1.61	1.65	1.59	1.62	1.67	1.72	1.64	1.67	1.72	1.78	
	Amps	4.8	4.9	5.0	5.2	5.1	5.2	5.4	5.6	5.6	5.7	5.9	6.1	5.9	6.1	6.3	6.5	6.3	6.4	6.7	6.9	6.7	6.8	7.0	7.3	
	Hi/PR	225	242	255	266	252	271	286	299	287	308	326	340	326	340	351	371	367	395	417	435	406	437	461	481	
Lo/PR	106	113	123	131	112	119	130	138	116	124	135	144	122	130	142	151	128	136	149	158	132	141	154	164		

IDB: Entering Indoor Dry Bulb Temperature  
 High and low pressures are measured at the liquid and suction service valves.  
 Shaded area reflects ACCA (TVA) conditions  
 Amps = outdoor unit amps (comp.+fan)  
 kW = Total system power

EXPANDED COOLING DATA — DX13SN0181A\* / CA\*F1824\*D6\*+EEP (CONT.)

IDB	AIRFLOW	OUTDOOR AMBIENT TEMPERATURE												ENTERING INDOOR WET BULB TEMPERATURE											
		65°F				75°F				85°F				95°F				105°F				115°F			
		59	63	67	71	59	63	67	71	59	63	67	71	59	63	67	71	59	63	67	71	59	63	67	71
80	MBh	16.2	16.5	17.7	18.9	15.8	16.1	17.3	18.4	15.4	15.8	16.8	18.0	15.0	15.4	16.4	17.6	14.3	14.6	15.6	16.7	13.2	13.5	14.5	15.5
	S/T	0.89	0.84	0.68	0.5	0.92	0.87	0.71	0.53	0.95	0.89	0.72	0.5	0.98	0.92	0.75	0.56	1.02	0.95	0.78	0.6	1.02	0.96	0.78	0.58
	Δ T	25	24	21	17	26	25	21	17	26	25	21	17	26	25	22	17	24	23	20	17	24	23	20	16
	kW	1.27	1.30	1.33	1.4	1.36	1.39	1.43	1.47	1.44	1.47	1.51	1.6	1.51	1.54	1.58	1.63	1.56	1.59	1.64	1.7	1.61	1.65	1.70	1.75
	Amps	4.7	4.8	4.9	5.1	5.0	5.2	5.3	5.5	5.5	5.6	5.8	6.0	5.8	6.0	6.2	6.4	6.2	6.3	6.5	6.8	6.5	6.7	6.9	7.2
	Hi PR	220	237	250	260.7	247	266	281	293	281	302	319	332.8	320	344	363	379	360	387	409	426.4	397	428	452	471
	Lo PR	104	110	121	128.3	110	117	127	136	114	121	132	140.9	120	127	139	148	125	133	146	155.1	130	138	151	160
	MBh	17.5	17.9	19.1	20.5	17.1	17.5	18.7	20.0	16.7	17.1	18.2	19.5	16.3	16.7	17.8	19.0	15.5	15.8	16.9	18.1	14.3	14.7	15.7	16.7
	S/T	0.93	0.87	0.71	0.5	0.96	0.90	0.73	0.55	0.98	0.92	0.75	0.6	1.00	0.95	0.78	0.58	1.00	0.99	0.80	0.6	1.00	1.00	0.81	0.61
	Δ T	23	22	19	15	23	22	19	15	23	22	19	15	23	22	20	16	22	21	19	15	20	21	18	14
kW	1.30	1.33	1.36	1.4	1.39	1.42	1.46	1.50	1.47	1.50	1.54	1.6	1.54	1.57	1.62	1.67	1.60	1.63	1.68	1.7	1.65	1.68	1.74	1.79	
Amps	4.8	4.9	5.1	5.2	5.2	5.3	5.5	5.7	5.6	5.7	5.9	6.1	6.0	6.1	6.3	6.6	6.4	6.5	6.7	7.0	6.7	6.9	7.1	7.4	
Hi PR	227	244	258	268.8	254	274	289	302	289	311	329	343.0	330	355	375	391	371	399	421	439.5	410	441	466	486	
Lo PR	107	114	124	132.3	113	120	131	140	117	125	136	145.3	123	131	143	153	129	138	150	159.9	134	142	155	165	
MBh	17.5	17.9	19.1	20.5	17.1	17.5	18.7	20.0	16.7	17.1	18.2	19.5	16.3	16.7	17.8	19.0	15.5	15.8	16.9	18.1	14.3	14.7	15.7	16.7	
S/T	0.93	0.87	0.71	0.5	0.96	0.90	0.73	0.55	0.98	0.92	0.75	0.6	1.00	0.95	0.78	0.58	1.00	0.99	0.80	0.6	1.00	1.00	0.81	0.61	
Δ T	22	21	18	15	22	21	19	15	22	21	19	15	22	22	19	15	21	21	19	15	20	20	17	14	
kW	1.30	1.33	1.36	1.4	1.39	1.42	1.46	1.50	1.47	1.50	1.54	1.6	1.54	1.57	1.62	1.67	1.60	1.63	1.68	1.7	1.65	1.68	1.74	1.79	
Amps	4.8	4.9	5.1	5.2	5.2	5.3	5.5	5.7	5.6	5.7	5.9	6.1	6.0	6.1	6.3	6.6	6.4	6.5	6.7	7.0	6.7	6.9	7.1	7.4	
Hi PR	227	244	258	268.8	254	274	289	302	289	311	329	343.0	330	355	375	391	371	399	421	439.5	410	441	466	486	
Lo PR	107	114	124	132.3	113	120	131	140	117	125	136	145.3	123	131	143	153	129	138	150	159.9	134	142	155	165	

85	MBh	16.5	16.8	17.6	18.7	16.1	16.4	17.2	18.3	15.7	16.0	16.8	17.9	15.3	15.6	16.3	17.4	14.5	14.8	15.5	16.6	13.5	13.7	14.4	15.3
	S/T	0.94	0.90	0.81	0.66	0.97	0.94	0.84	0.69	0.99	0.96	0.87	0.70	1.00	0.99	0.89	0.73	1.00	1.00	0.93	0.75	1.00	1.00	0.94	0.76
	Δ T	27	27	25	22	27	27	25	22	27	27	25	22	27	27	26	22	25	26	25	22	24	24	24	20
	kW	1.28	1.31	1.34	1.38	1.37	1.40	1.44	1.48	1.45	1.48	1.52	1.57	1.52	1.55	1.59	1.64	1.57	1.61	1.65	1.71	1.62	1.66	1.71	1.76
	Amps	4.7	4.8	5.0	5.1	5.1	5.2	5.4	5.6	5.5	5.6	5.8	6.0	5.9	6.0	6.2	6.4	6.2	6.4	6.6	6.8	6.6	6.8	7.0	7.2
	Hi PR	222	239	252	263	249	268	283	296	284	305	322	336	323	348	367	383	363	391	413	431	401	432	456	476
	Lo PR	105	111	122	130	111	118	129	137	115	122	134	142	121	129	140	150	127	135	147	157	131	139	152	162
	MBh	17.8	18.2	19.0	20.3	17.4	17.8	18.6	19.8	17.0	17.3	18.2	19.4	16.6	16.9	17.7	18.9	15.8	16.1	16.8	18.0	14.6	14.9	15.6	16.6
	S/T	0.97	0.94	0.84	0.69	1.00	0.97	0.88	0.71	1.00	0.99	0.90	0.73	1.00	1.00	0.93	0.75	1.00	1.00	0.96	0.78	1.00	1.00	0.97	0.79
	Δ T	24	24	23	20	25	24	23	20	24	24	23	20	23	24	23	20	22	23	23	20	21	21	21	19
kW	1.31	1.34	1.37	1.41	1.40	1.43	1.47	1.51	1.48	1.51	1.56	1.60	1.55	1.58	1.63	1.68	1.61	1.64	1.69	1.75	1.66	1.70	1.75	1.80	
Amps	4.8	4.9	5.1	5.3	5.2	5.3	5.5	5.7	5.7	5.8	6.0	6.2	6.0	6.2	6.4	6.6	6.4	6.6	6.8	7.0	6.8	6.9	7.2	7.4	
Hi PR	229	247	260	271	257	277	292	305	292	315	332	346	333	358	378	395	375	403	426	444	414	445	470	491	
Lo PR	108	115	125	134	114	121	133	141	119	126	138	147	125	133	145	154	131	139	152	162	135	144	157	167	
MBh	17.8	18.2	19.0	20.3	17.4	17.8	18.6	19.8	17.0	17.3	18.2	19.4	16.6	16.9	17.7	18.9	15.8	16.1	16.8	18.0	14.6	14.9	15.6	16.6	
S/T	0.97	0.94	0.84	0.69	1.00	0.97	0.88	0.71	1.00	0.99	0.90	0.73	1.00	1.00	0.93	0.75	1.00	1.00	0.96	0.78	1.00	1.00	0.97	0.79	
Δ T	24	23	22	19	24	23	22	19	23	23	22	19	23	23	22	19	21	22	22	19	20	20	21	18	
kW	1.31	1.34	1.37	1.41	1.40	1.43	1.47	1.51	1.48	1.51	1.56	1.60	1.55	1.58	1.63	1.68	1.61	1.64	1.69	1.75	1.66	1.70	1.75	1.80	
Amps	4.8	4.9	5.1	5.3	5.2	5.3	5.5	5.7	5.7	5.8	6.0	6.2	6.0	6.2	6.4	6.6	6.4	6.6	6.8	7.0	6.8	6.9	7.2	7.4	
Hi PR	229	247	260	271	257	277	292	305	292	315	332	346	333	358	378	395	375	403	426	444	414	445	470	491	
Lo PR	108	115	125	134	114	121	133	141	119	126	138	147	125	133	145	154	131	139	152	162	135	144	157	167	

IDB: Entering Indoor Dry Bulb Temperature  
 High and low pressures are measured at the liquid and suction service valves.  
 Shaded area reflects AHRI conditions  
 Amps = outdoor unit amps (comp.+fan)  
 kW = Total system power

IDB		OUTDOOR AMBIENT TEMPERATURE												ENTERING INDOOR WET BULB TEMPERATURE											
		65°F				75°F				85°F				95°F				105°F				115°F			
		59	63	67	71	59	63	67	71	59	63	67	71	59	63	67	71	59	63	67	71	59	63	67	71
<b>700</b>	MBh	20.2	20.9	22.9	-	19.7	20.4	22.4	-	19.3	20.0	21.9	-	18.8	19.5	21.3	-	17.8	18.5	20.3	-	16.5	17.1	18.8	-
	S/T	0.68	0.57	0.39	-	0.70	0.59	0.41	-	0.72	0.60	0.42	-	0.75	0.62	0.43	-	0.77	0.65	0.45	-	0.78	0.65	0.45	-
	Δ T	18	16	12	-	18	16	12	-	18	16	12	-	18	16	12	-	18	16	12	-	17	15	11	-
	kW	1.61	1.64	1.69	-	1.72	1.75	1.81	-	1.82	1.86	1.91	-	1.91	1.95	2.01	-	1.98	2.03	2.09	-	2.05	2.09	2.16	-
	Amps	5.9	6.1	6.3	-	6.4	6.5	6.8	-	6.9	7.1	7.3	-	7.4	7.6	7.9	-	7.9	8.1	8.4	-	8.4	8.6	8.9	-
	Hi PR	222	239	252	-	249	268	283	-	283	305	322	-	323	347	367	-	363	391	412	-	401	432	456	-
	Lo PR	101	108	117	-	107	114	124	-	111	118	129	-	117	124	135	-	122	130	142	-	126	134	147	-
	MBh	21.9	22.7	24.8	-	21.4	22.2	24.3	-	20.9	21.6	23.7	-	20.4	21.1	23.1	-	19.3	20.0	22.0	-	17.9	18.6	20.3	-
	S/T	0.71	0.59	0.41	-	0.73	0.61	0.42	-	0.75	0.63	0.43	-	0.77	0.65	0.45	-	0.80	0.67	0.46	-	0.81	0.68	0.47	-
	Δ T	18	15	12	-	18	16	12	-	18	16	12	-	18	16	12	-	18	15	12	-	17	14	11	-
kW	1.64	1.67	1.72	-	1.76	1.80	1.85	-	1.86	1.90	1.96	-	1.96	2.00	2.06	-	2.03	2.08	2.14	-	2.10	2.14	2.21	-	
Amps	6.1	6.2	6.4	-	6.6	6.7	7.0	-	7.1	7.3	7.6	-	7.6	7.8	8.1	-	8.1	8.3	8.6	-	8.6	8.8	9.1	-	
Hi PR	229	246	260	-	257	276	292	-	292	314	332	-	333	358	378	-	374	403	425	-	413	445	470	-	
Lo PR	104	111	121	-	110	117	128	-	114	122	133	-	120	128	140	-	126	134	146	-	130	139	151	-	
MBh	22.5	23.4	25.6	-	22.0	22.8	25.0	-	21.5	22.3	24.4	-	21.0	21.7	23.8	-	19.9	20.6	22.6	-	18.4	19.1	21.0	-	
S/T	0.74	0.62	0.43	-	0.77	0.64	0.44	-	0.79	0.66	0.45	-	0.81	0.68	0.47	-	0.84	0.70	0.49	-	0.85	0.71	0.49	-	
Δ T	17	15	11	-	17	15	11	-	17	15	11	-	17	15	11	-	17	15	11	-	16	14	11	-	
kW	1.65	1.69	1.74	-	1.77	1.81	1.86	-	1.88	1.92	1.98	-	1.97	2.01	2.07	-	2.05	2.09	2.16	-	2.12	2.16	2.23	-	
Amps	6.1	6.3	6.5	-	6.6	6.8	7.0	-	7.2	7.4	7.6	-	7.7	7.9	8.2	-	8.2	8.4	8.7	-	8.7	8.9	9.2	-	
Hi PR	231	249	263	-	259	279	295	-	295	317	335	-	336	362	382	-	378	407	429	-	418	449	475	-	
Lo PR	105	112	122	-	111	118	129	-	116	123	134	-	121	129	141	-	127	135	148	-	132	140	153	-	
<b>700</b>	MBh	20.5	21.1	22.9	24.6	20.1	20.7	22.4	24.0	19.6	20.2	21.8	23.4	19.1	19.7	21.3	22.9	18.2	18.7	20.2	21.7	16.8	17.3	18.7	20.1
	S/T	0.77	0.69	0.52	0.34	0.80	0.72	0.54	0.35	0.82	0.73	0.56	0.36	0.85	0.76	0.57	0.37	0.88	0.79	0.60	0.38	0.89	0.79	0.60	0.39
	Δ T	21	19	16	11	21	19	16	11	21	19	16	11	21	20	16	11	21	19	16	11	20	18	15	10
	kW	1.62	1.65	1.70	1.75	1.73	1.77	1.82	1.88	1.83	1.87	1.93	1.99	1.92	1.96	2.02	2.09	2.00	2.04	2.11	2.17	2.07	2.11	2.18	2.25
	Amps	6.0	6.1	6.3	6.5	6.4	6.6	6.8	7.1	7.0	7.2	7.4	7.7	7.5	7.7	7.9	8.2	8.0	8.2	8.4	8.8	8.4	8.7	8.9	9.3
	Hi PR	224	241	255	266	252	271	286	298	286	308	325	339	326	351	370	386	367	395	417	435	405	436	460	480
	Lo PR	102	109	119	126	108	115	125	133	112	119	130	139	118	125	137	146	123	131	143	153	128	136	148	158
	MBh	22.3	22.9	24.8	26.6	21.7	22.4	24.2	26.0	21.2	21.8	23.6	25.4	20.7	21.3	23.1	24.8	19.7	20.2	21.9	23.5	18.2	18.8	20.3	21.8
	S/T	0.80	0.72	0.54	0.35	0.83	0.74	0.56	0.36	0.85	0.76	0.58	0.37	0.88	0.79	0.60	0.38	0.91	0.82	0.62	0.40	0.92	0.82	0.62	0.40
	Δ T	20	19	15	11	21	19	16	11	21	19	16	11	21	20	16	11	21	19	16	11	19	18	15	10
kW	1.65	1.69	1.74	1.79	1.77	1.81	1.86	1.92	1.88	1.92	1.98	2.04	1.97	2.01	2.07	2.14	2.05	2.09	2.16	2.23	2.12	2.16	2.23	2.30	
Amps	6.1	6.3	6.5	6.7	6.6	6.8	7.0	7.3	7.2	7.4	7.6	7.9	7.7	7.9	8.2	8.5	8.2	8.4	8.7	9.0	8.7	8.9	9.2	9.6	
Hi PR	231	249	263	274	259	279	295	307	295	317	335	350	336	362	382	398	378	407	430	448	418	449	475	495	
Lo PR	105	112	122	130	111	118	129	138	116	123	134	143	121	129	141	150	127	135	148	157	132	140	153	163	
MBh	22.9	23.6	25.5	27.4	22.4	23.0	24.9	26.8	21.9	22.5	24.4	26.1	21.3	22.0	23.8	25.5	20.3	20.9	22.6	24.2	18.8	19.3	20.9	22.4	
S/T	0.84	0.75	0.57	0.37	0.87	0.78	0.59	0.38	0.89	0.80	0.60	0.39	0.92	0.82	0.62	0.40	0.96	0.86	0.65	0.42	0.96	0.86	0.65	0.42	
Δ T	20	18	15	10	20	18	15	10	20	18	15	10	20	18	15	10	20	18	15	10	18	17	14	10	
kW	1.67	1.70	1.75	1.80	1.79	1.82	1.88	1.94	1.89	1.93	1.99	2.05	1.99	2.03	2.09	2.16	2.07	2.11	2.18	2.25	2.13	2.18	2.25	2.32	
Amps	6.2	6.3	6.5	6.8	6.7	6.9	7.1	7.3	7.3	7.4	7.7	8.0	7.8	8.0	8.2	8.5	8.3	8.5	8.8	9.1	8.8	9.0	9.3	9.6	
Hi PR	233	251	265	277	262	282	298	311	298	321	339	353	339	365	386	402	382	411	434	453	422	454	479	500	
Lo PR	106	113	123	131	112	119	130	139	117	124	136	144	123	130	142	152	128	137	149	159	133	141	154	164	

IDB: Entering Indoor Dry Bulb Temperature  
 High and low pressures are measured at the liquid and suction service valves.  
 Shaded area reflects ACCA (TVA) conditions  
 Amps = outdoor unit amps (comp.+fan)  
 kW = Total system power

IDB	AIRFLOW	OUTDOOR AMBIENT TEMPERATURE												ENTERING INDOOR WET BULB TEMPERATURE											
		65°F				75°F				85°F				95°F				105°F				115°F			
		59	63	67	71	59	63	67	71	59	63	67	71	59	63	67	71	59	63	67	71	59	63	67	71
80	MBh	20.9	21.4	22.8	24.4	20.4	20.9	22.3	23.8	19.9	20.4	21.8	23.3	19.4	19.9	21.2	22.7	18.5	18.9	20.2	21.6	17.1	17.5	18.7	20.0
	S/T	0.85	0.79	0.65	0.5	0.88	0.82	0.67	0.50	0.90	0.84	0.69	0.5	0.93	0.87	0.71	0.53	0.96	0.90	0.74	0.6	0.97	0.91	0.74	0.56
	Δ T	23	22	19	15	24	23	20	16	24	23	20	16	24	23	20	16	23	22	20	16	22	21	18	15
	kW	1.63	1.66	1.71	1.8	1.75	1.78	1.83	1.89	1.85	1.89	1.94	2.0	1.94	1.98	2.04	2.11	2.02	2.06	2.12	2.2	2.08	2.13	2.19	2.26
	Amps	6.0	6.2	6.4	6.6	6.5	6.7	6.9	7.1	7.1	7.2	7.5	7.8	7.6	7.7	8.0	8.3	8.0	8.2	8.5	8.8	8.5	8.7	9.0	9.4
	Hi PR	227	244	257	268.5	254	274	289	301	289	311	328	342.6	329	354	374	390	370	399	421	439.0	409	440	465	485
	Lo PR	103	110	120	127.5	109	116	127	135	113	120	131	140.0	119	127	138	147	125	133	145	154.2	129	137	150	159
	MBh	22.6	23.1	24.7	26.4	22.1	22.6	24.2	25.8	21.6	22.1	23.6	25.2	21.1	21.5	23.0	24.6	20.0	20.5	21.9	23.4	18.5	18.9	20.2	21.6
	S/T	0.88	0.82	0.67	0.5	0.91	0.85	0.70	0.52	0.93	0.88	0.71	0.5	0.96	0.90	0.74	0.55	1.00	0.94	0.76	0.6	1.00	0.95	0.77	0.58
	Δ T	23	22	19	15	23	22	19	15	23	22	19	15	23	22	19	16	23	22	19	15	21	21	18	14
kW	1.67	1.70	1.75	1.8	1.79	1.82	1.88	1.94	1.89	1.93	1.99	2.1	1.99	2.03	2.09	2.16	2.07	2.11	2.18	2.2	2.13	2.18	2.25	2.32	
Amps	6.2	6.3	6.5	6.8	6.7	6.9	7.1	7.3	7.3	7.5	7.7	8.0	7.8	8.0	8.2	8.5	8.3	8.5	8.8	9.1	8.8	9.0	9.3	9.7	
Hi PR	234	251	265	276.8	262	282	298	311	298	321	339	353.2	339	365	386	402	382	411	434	452.6	422	454	479	500	
Lo PR	106	113	123	131.5	112	119	130	139	117	124	136	144.4	123	130	142	152	128	137	149	158.9	133	141	154	164	
MBh	23.3	23.8	25.5	27.2	22.8	23.3	24.9	26.6	22.2	22.7	24.3	26.0	21.7	22.2	23.7	25.3	20.6	21.1	22.5	24.1	19.1	19.5	20.8	22.3	
S/T	0.92	0.86	0.70	0.5	0.96	0.90	0.73	0.54	1.00	0.92	0.75	0.6	1.00	0.95	0.77	0.58	1.00	1.00	0.80	0.6	1.00	1.00	0.81	0.60	
Δ T	22	21	18	15	22	21	19	15	23	21	19	15	22	21	19	15	21	22	18	15	20	20	17	14	
kW	1.68	1.71	1.76	1.8	1.80	1.84	1.89	1.95	1.91	1.95	2.01	2.1	2.00	2.04	2.11	2.17	2.08	2.13	2.19	2.3	2.15	2.20	2.27	2.34	
Amps	6.2	6.4	6.6	6.9	6.8	6.9	7.1	7.4	7.3	7.5	7.8	8.1	7.8	8.0	8.3	8.6	8.4	8.6	8.8	9.2	8.9	9.1	9.4	9.7	
Hi PR	236	254	268	279.5	265	285	301	314	301	324	342	356.7	343	369	390	406	386	415	438	457.1	426	459	484	505	
Lo PR	107	114	125	132.8	113	121	132	140	118	125	137	145.8	124	132	144	153	130	138	151	160.5	134	143	156	166	

700	MBh	21.3	21.7	22.7	24.2	20.8	21.2	22.2	23.7	20.3	20.7	21.7	23.1	19.8	20.2	21.1	22.5	18.8	19.2	20.1	21.4	17.4	17.7	18.6	19.8
	S/T	0.89	0.86	0.77	0.63	0.92	0.89	0.80	0.65	0.94	0.91	0.82	0.67	0.97	0.94	0.85	0.69	1.00	0.98	0.88	0.71	1.00	0.98	0.89	0.72
	Δ T	25	24	23	20	25	25	23	20	25	25	23	20	25	25	24	20	25	25	23	20	23	23	22	19
	kW	1.64	1.67	1.72	1.78	1.76	1.79	1.85	1.91	1.86	1.90	1.96	2.02	1.95	2.00	2.06	2.12	2.03	2.08	2.14	2.21	2.10	2.14	2.21	2.28
	Amps	6.1	6.2	6.4	6.7	6.6	6.7	6.9	7.2	7.1	7.3	7.6	7.8	7.6	7.8	8.1	8.4	8.1	8.3	8.6	8.9	8.6	8.8	9.1	9.5
	Hi PR	229	246	260	271	257	276	292	304	292	314	332	346	333	358	378	394	374	403	425	443	413	445	470	490
	Lo PR	104	111	121	129	110	117	128	136	114	122	133	141	120	128	140	149	126	134	146	156	130	139	151	161
	MBh	23.0	23.5	24.6	26.2	22.5	22.9	24.0	25.6	22.0	22.4	23.5	25.0	21.4	21.9	22.9	24.4	20.4	20.8	21.7	23.2	18.9	19.2	20.1	21.5
	S/T	0.92	0.89	0.80	0.65	0.95	0.92	0.83	0.67	0.98	0.94	0.85	0.69	1.00	0.98	0.88	0.71	1.00	1.00	0.91	0.74	1.00	1.00	0.92	0.75
	Δ T	24	24	23	20	25	24	23	20	25	24	23	20	25	24	23	20	23	24	23	20	22	22	21	18
kW	1.68	1.71	1.76	1.82	1.80	1.84	1.89	1.95	1.91	1.95	2.01	2.07	2.00	2.04	2.11	2.17	2.08	2.13	2.19	2.26	2.15	2.20	2.27	2.34	
Amps	6.2	6.4	6.6	6.9	6.8	6.9	7.1	7.4	7.3	7.5	7.8	8.1	7.8	8.0	8.3	8.6	8.4	8.6	8.8	9.2	8.9	9.1	9.4	9.7	
Hi PR	236	254	268	280	265	285	301	314	301	324	342	357	343	369	390	406	386	415	438	457	426	459	484	505	
Lo PR	107	114	125	133	113	121	132	140	118	125	137	146	124	132	144	153	130	138	151	161	134	143	156	166	
MBh	23.7	24.2	25.3	27.0	23.2	23.6	24.8	26.4	22.6	23.1	24.2	25.8	22.1	22.5	23.6	25.1	21.0	21.4	22.4	23.9	19.4	19.8	20.7	22.1	
S/T	0.97	0.93	0.84	0.68	1.00	0.97	0.87	0.71	1.00	0.99	0.89	0.73	1.00	1.00	0.92	0.75	1.00	1.00	0.96	0.78	1.00	1.00	0.97	0.78	
Δ T	23	23	22	19	24	23	22	19	23	23	22	19	23	23	22	19	21	22	22	19	20	20	20	18	
kW	1.69	1.73	1.78	1.83	1.81	1.85	1.91	1.97	1.92	1.96	2.02	2.09	2.02	2.06	2.12	2.19	2.10	2.14	2.21	2.28	2.17	2.21	2.29	2.36	
Amps	6.3	6.5	6.7	6.9	6.8	7.0	7.2	7.5	7.4	7.6	7.8	8.1	7.9	8.1	8.4	8.7	8.4	8.6	8.9	9.3	8.9	9.2	9.5	9.8	
Hi PR	238	256	271	282	267	288	304	317	304	327	345	360	346	373	393	410	390	419	443	462	430	463	489	510	
Lo PR	108	115	126	134	115	122	133	142	119	127	138	147	125	133	145	155	131	139	152	162	136	144	157	168	

IDB: Entering Indoor Dry Bulb Temperature  
 High and low pressures are measured at the liquid and suction service valves.  
 Shaded area reflects AHRI conditions  
 Amps = outdoor unit amps (comp.+fan)  
 kW = Total system power

IDB		OUTDOOR AMBIENT TEMPERATURE												ENTERING INDOOR WET BULB TEMPERATURE												
		65°F				75°F				85°F				95°F				105°F				115°F				
		59	63	67	71	59	63	67	71	59	63	67	71	59	63	67	71	59	63	67	71	59	63	67	71	
<b>900</b>	MBh	22.5	23.4	25.6	-	22.0	22.8	25.0	-	21.5	22.3	24.4	-	21.0	21.7	23.8	-	19.9	20.6	22.6	-	18.4	19.1	21.0	-	
	S/T	0.73	0.61	0.42	-	0.76	0.63	0.44	-	0.78	0.65	0.45	-	0.80	0.67	0.46	-	0.83	0.69	0.48	-	0.84	0.70	0.49	-	
	ΔT	17	15	11	-	17	15	11	-	17	15	11	-	17	15	11	-	17	15	11	-	16	14	10	-	
	kW	1.63	1.66	1.71	-	1.75	1.78	1.83	-	1.85	1.89	1.95	-	1.94	1.98	2.04	-	2.02	2.06	2.13	-	2.09	2.13	2.20	-	
	Amps	5.8	6.0	6.2	-	6.3	6.4	6.7	-	6.8	7.0	7.2	-	7.3	7.5	7.7	-	7.8	8.0	8.2	-	8.2	8.4	8.7	-	
	Hi PR	228	246	259	-	256	276	291	-	291	314	331	-	332	357	377	-	373	402	424	-	413	444	469	-	
	Lo PR	105	112	122	-	111	118	129	-	115	123	134	-	121	129	141	-	127	135	147	-	131	140	152	-	
	<b>800</b>	MBh	21.9	22.7	24.8	-	21.4	22.2	24.3	-	20.9	21.6	23.7	-	20.4	21.1	23.1	-	19.3	20.0	22.0	-	17.9	18.6	20.3	-
		S/T	0.70	0.58	0.40	-	0.72	0.60	0.42	-	0.74	0.62	0.43	-	0.76	0.64	0.44	-	0.79	0.66	0.46	-	0.80	0.67	0.46	-
		ΔT	18	15	12	-	18	15	12	-	18	15	12	-	18	15	12	-	18	15	12	-	16	14	11	-
kW		1.62	1.65	1.70	-	1.73	1.77	1.82	-	1.84	1.87	1.93	-	1.93	1.97	2.03	-	2.00	2.05	2.11	-	2.07	2.11	2.18	-	
Amps		5.8	5.9	6.1	-	6.2	6.4	6.6	-	6.8	6.9	7.2	-	7.2	7.4	7.7	-	7.7	7.9	8.1	-	8.2	8.4	8.6	-	
Hi PR		226	243	257	-	254	273	288	-	288	310	328	-	329	354	373	-	370	398	420	-	408	440	464	-	
Lo PR		104	111	121	-	110	117	127	-	114	121	132	-	120	127	139	-	126	134	146	-	130	138	151	-	
<b>700</b>		MBh	20.2	20.9	22.9	-	19.7	20.4	22.4	-	19.3	20.0	21.9	-	18.8	19.5	21.3	-	17.8	18.5	20.3	-	16.5	17.1	18.8	-
		S/T	0.67	0.56	0.39	-	0.70	0.58	0.40	-	0.71	0.60	0.41	-	0.74	0.62	0.43	-	0.76	0.64	0.44	-	0.77	0.64	0.45	-
		ΔT	18	15	12	-	18	16	12	-	18	16	12	-	18	16	12	-	18	16	12	-	17	14	11	-
	kW	1.58	1.61	1.66	-	1.69	1.73	1.78	-	1.79	1.83	1.89	-	1.88	1.92	1.98	-	1.96	2.00	2.06	-	2.02	2.06	2.13	-	
	Amps	5.6	5.7	5.9	-	6.1	6.2	6.4	-	6.6	6.7	7.0	-	7.0	7.2	7.4	-	7.5	7.7	7.9	-	7.9	8.1	8.4	-	
	Hi PR	219	236	249	-	246	265	280	-	280	301	318	-	319	343	362	-	359	386	407	-	396	426	450	-	
	Lo PR	101	107	117	-	106	113	124	-	111	118	129	-	116	124	135	-	122	130	141	-	126	134	146	-	
	<b>900</b>	MBh	22.9	23.6	25.5	27.4	22.4	23.0	24.9	26.8	21.9	22.5	24.4	26.1	21.3	22.0	23.8	25.5	20.3	20.9	22.6	24.2	18.8	19.3	20.9	22.4
		S/T	0.83	0.74	0.56	0.36	0.86	0.77	0.58	0.37	0.88	0.79	0.60	0.38	0.91	0.81	0.62	0.40	0.95	0.85	0.64	0.41	0.95	0.85	0.65	0.42
		ΔT	19	18	15	10	20	18	15	10	20	18	15	10	20	18	15	10	20	18	15	10	18	17	14	10
kW		1.64	1.67	1.72	1.77	1.76	1.79	1.85	1.91	1.86	1.90	1.96	2.02	1.96	2.00	2.06	2.13	2.04	2.08	2.15	2.21	2.10	2.15	2.22	2.29	
Amps		5.9	6.0	6.2	6.4	6.3	6.5	6.7	7.0	6.9	7.1	7.3	7.6	7.4	7.5	7.8	8.1	7.8	8.0	8.3	8.6	8.3	8.5	8.8	9.1	
Hi PR		231	248	262	273	259	279	294	307	294	317	334	349	335	361	381	397	377	406	429	447	417	448	474	494	
Lo PR		106	113	123	131	112	119	130	139	116	124	135	144	122	130	142	151	128	136	149	158	133	141	154	164	
<b>800</b>		MBh	22.3	22.9	24.8	26.6	21.7	22.4	24.2	26.0	21.2	21.8	23.6	25.4	20.7	21.3	23.1	24.8	19.7	20.2	21.9	23.5	18.2	18.8	20.3	21.8
		S/T	0.79	0.71	0.54	0.34	0.82	0.73	0.56	0.36	0.84	0.75	0.57	0.37	0.87	0.78	0.59	0.38	0.90	0.81	0.61	0.39	0.91	0.81	0.62	0.40
		ΔT	20	19	15	11	20	19	15	11	21	19	15	11	21	19	16	11	20	19	15	11	19	18	14	10
	kW	1.63	1.66	1.71	1.76	1.75	1.78	1.84	1.89	1.85	1.89	1.95	2.01	1.94	1.98	2.04	2.11	2.02	2.06	2.13	2.20	2.09	2.13	2.20	2.27	
	Amps	5.8	6.0	6.2	6.4	6.3	6.4	6.7	6.9	6.8	7.0	7.2	7.5	7.3	7.5	7.7	8.0	7.8	8.0	8.2	8.5	8.2	8.4	8.7	9.1	
	Hi PR	228	246	260	271	256	276	291	304	291	314	331	345	332	357	377	393	373	402	424	443	413	444	469	489	
	Lo PR	105	112	122	130	111	118	129	137	115	123	134	143	121	129	141	150	127	135	147	157	131	140	152	162	
	<b>700</b>	MBh	20.5	21.1	22.9	24.6	20.1	20.7	22.4	24.0	19.6	20.2	21.8	23.4	19.1	19.7	21.3	22.9	18.2	18.7	20.2	21.7	16.8	17.3	18.7	20.1
		S/T	0.76	0.68	0.52	0.33	0.79	0.71	0.54	0.34	0.81	0.73	0.55	0.35	0.84	0.75	0.57	0.36	0.87	0.78	0.59	0.38	0.88	0.78	0.59	0.38
		ΔT	21	19	16	11	21	19	16	11	21	19	16	11	21	19	16	11	21	19	16	11	19	18	15	10
kW		1.59	1.62	1.67	1.72	1.71	1.74	1.79	1.85	1.81	1.84	1.90	1.96	1.90	1.94	2.00	2.06	1.97	2.01	2.08	2.14	2.04	2.08	2.15	2.22	
Amps		5.7	5.8	6.0	6.2	6.1	6.3	6.5	6.7	6.6	6.8	7.0	7.3	7.1	7.3	7.5	7.8	7.6	7.7	8.0	8.3	8.0	8.2	8.5	8.8	
Hi PR		222	238	252	263	249	267	282	295	283	304	321	335	322	346	366	382	362	390	412	429	400	431	455	474	
Lo PR		102	108	118	126	108	114	125	133	112	119	130	138	117	125	136	145	123	131	143	152	127	135	148	157	

Amps = outdoor unit amps (comp.+fan)  
kW = Total system power

Shaded area reflects ACCA (TVA) conditions

IDB: Entering Indoor Dry Bulb Temperature  
High and low pressures are measured at the liquid and suction service valves.



IDB		OUTDOOR AMBIENT TEMPERATURE												ENTERING INDOOR WET BULB TEMPERATURE											
		65°F				75°F				85°F				95°F				105°F				115°F			
		59	63	67	71	59	63	67	71	59	63	67	71	59	63	67	71	59	63	67	71	59	63	67	71
<b>900</b>	MBh	23.3	23.8	25.5	27.2	22.8	23.3	24.9	26.6	22.2	22.7	24.3	26.0	21.7	22.2	23.7	25.3	20.6	21.1	22.5	24.1	19.1	19.5	20.8	22.3
	S/T	0.91	0.85	0.69	0.52	0.94	0.88	0.72	0.54	0.97	0.91	0.74	0.55	1.00	0.94	0.76	0.57	1.00	1.00	0.79	0.59	1.00	1.00	0.80	0.60
	ΔT	22	21	18	14	22	21	18	15	22	21	18	15	22	21	18	15	21	22	18	15	20	20	17	14
	kW	1.65	1.69	1.74	1.79	1.77	1.81	1.86	1.92	1.88	1.92	1.98	2.04	1.97	2.01	2.08	2.14	2.05	2.10	2.16	2.23	2.12	2.17	2.24	2.31
	Amps	5.9	6.1	6.3	6.5	6.4	6.6	6.8	7.0	7.0	7.1	7.4	7.6	7.4	7.6	7.9	8.2	7.9	8.1	8.4	8.7	8.4	8.6	8.9	9.2
<b>800</b>	Hi PR	233	251	265	276	261	281	297	310	297	320	338	352	339	364	385	401	381	410	433	452	421	453	478	499
	Lo PR	107	114	124	132	113	120	131	140	118	125	137	145	123	131	143	153	129	138	150	160	134	142	155	166
	MBh	22.6	23.1	24.7	26.4	22.1	22.6	24.2	25.8	21.6	22.1	23.6	25.2	21.1	21.5	23.0	24.6	20.0	20.5	21.9	23.4	18.5	18.9	20.2	21.6
	S/T	0.87	0.81	0.66	0.50	0.90	0.84	0.69	0.51	0.92	0.87	0.70	0.53	0.95	0.89	0.73	0.54	0.99	0.93	0.75	0.56	1.00	0.93	0.76	0.57
	ΔT	23	22	19	15	23	22	19	15	23	22	19	15	23	22	19	15	23	22	19	15	21	20	18	14
<b>700</b>	kW	1.64	1.67	1.72	1.78	1.76	1.79	1.85	1.91	1.86	1.90	1.96	2.02	1.96	2.00	2.06	2.13	2.04	2.08	2.15	2.21	2.10	2.15	2.22	2.29
	Amps	5.9	6.0	6.2	6.4	6.3	6.5	6.7	7.0	6.9	7.1	7.3	7.6	7.4	7.5	7.8	8.1	7.8	8.0	8.3	8.6	8.3	8.5	8.8	9.1
	Hi PR	231	248	262	273	259	279	294	307	294	317	335	349	335	361	381	397	377	406	429	447	417	448	474	494
	Lo PR	106	113	123	131	112	119	130	139	116	124	135	144	122	130	142	151	128	136	149	158	133	141	154	164
	MBh	20.9	21.4	22.8	24.4	20.4	20.9	22.3	23.8	19.9	20.4	21.8	23.3	19.4	19.9	21.2	22.7	18.5	18.9	20.2	21.6	17.1	17.5	18.7	20.0

<b>900</b>	MBh	23.7	24.2	25.3	27.0	23.2	23.6	24.8	26.4	22.6	23.1	24.2	25.8	22.1	22.5	23.6	25.1	21.0	21.4	22.4	23.9	19.4	19.8	20.7	22.1
	S/T	0.95	0.92	0.83	0.67	0.99	0.95	0.86	0.70	1.00	0.98	0.88	0.72	1.00	1.00	0.91	0.74	1.00	1.00	0.95	0.77	1.00	1.00	0.95	0.77
	ΔT	23	23	22	19	23	23	22	19	23	23	22	19	23	23	22	19	21	22	19	15	20	20	17	14
	kW	1.66	1.70	1.75	1.80	1.79	1.82	1.88	1.94	1.89	1.93	1.99	2.06	1.99	2.03	2.09	2.16	2.07	2.11	2.18	2.25	2.14	2.18	2.25	2.33
	Amps	6.0	6.1	6.3	6.6	6.5	6.6	6.8	7.1	7.0	7.2	7.4	7.7	7.5	7.7	7.9	8.2	8.0	8.2	8.5	8.8	8.5	8.7	9.0	9.3
<b>800</b>	Hi PR	235	253	267	279	264	284	300	313	300	323	341	356	342	368	389	405	385	414	437	456	425	457	483	504
	Lo PR	108	115	126	134	114	122	133	141	119	126	138	147	125	133	145	154	131	139	152	162	135	144	157	167
	MBh	23.0	23.5	24.6	26.2	22.5	22.9	24.0	25.6	22.0	22.4	23.5	25.0	21.4	21.9	22.9	24.4	20.4	20.8	21.7	23.2	18.9	19.2	20.1	21.5
	S/T	0.91	0.88	0.79	0.64	0.94	0.91	0.82	0.67	0.97	0.93	0.84	0.68	1.00	0.96	0.87	0.71	1.00	1.00	0.90	0.73	1.00	1.00	0.91	0.74
	ΔT	24	24	22	19	24	24	23	20	24	24	23	20	25	24	23	20	23	24	23	20	22	22	21	18
<b>700</b>	kW	1.65	1.69	1.74	1.79	1.77	1.81	1.86	1.92	1.88	1.92	1.98	2.04	1.97	2.01	2.08	2.14	2.05	2.10	2.16	2.23	2.12	2.17	2.24	2.31
	Amps	5.9	6.1	6.3	6.5	6.4	6.6	6.8	7.0	7.0	7.1	7.4	7.6	7.4	7.6	7.9	8.2	7.9	8.1	8.4	8.7	8.4	8.6	8.9	9.2
	Hi PR	233	251	265	276	261	281	297	310	297	320	338	352	339	364	385	401	381	410	433	452	421	453	478	499
	Lo PR	107	114	124	132	113	120	131	140	118	125	137	145	123	131	143	153	129	138	150	160	134	142	155	166
	MBh	21.3	21.7	22.7	24.2	20.8	21.2	22.2	23.7	20.3	20.7	21.7	23.1	19.8	20.2	21.1	22.5	18.8	19.2	20.1	21.4	17.4	17.7	18.6	19.8

IDB: Entering Indoor Dry Bulb Temperature  
 High and low pressures are measured at the liquid and suction service valves.  
 Shaded area reflects AHRI conditions  
 Amps = outdoor unit amps (comp.+fan)  
 kW = Total system power

IDB	AIRFLOW	OUTDOOR AMBIENT TEMPERATURE																							
		65°F				75°F				85°F				95°F				105°F				115°F			
		59	63	67	71	59	63	67	71	59	63	67	71	59	63	67	71	59	63	67	71	59	63	67	71
70	MBh	24.9	25.8	28.3	-	24.4	25.2	27.7	-	23.8	24.6	27.0	-	23.2	24.0	26.3	-	22.0	22.8	25.0	-	20.4	21.2	23.2	-
	S/T	0.69	0.57	0.40	-	0.71	0.59	0.41	-	0.73	0.61	0.42	-	0.75	0.63	0.44	-	0.78	0.65	0.45	-	0.79	0.66	0.46	-
	Δ T	18	16	12	-	18	16	12	-	18	16	12	-	18	16	12	-	18	16	12	-	17	15	11	-
	kW	1.97	2.01	2.07	-	2.12	2.16	2.23	-	2.24	2.29	2.36	-	2.35	2.40	2.48	-	2.45	2.50	2.58	-	2.53	2.58	2.67	-
	Amps	7.2	7.4	7.7	-	7.8	8.0	8.3	-	8.5	8.7	9.0	-	9.1	9.4	9.7	-	9.7	10.0	10.3	-	10.3	10.6	10.9	-
	Hi PR	245	264	279	-	275	296	313	-	313	337	356	-	356	384	405	-	401	432	456	-	443	477	503	-
	Lo PR	104	111	121	-	110	117	128	-	114	122	133	-	120	128	140	-	126	134	146	-	130	139	151	-
	MBh	27.0	28.0	30.7	-	26.4	27.4	30.0	-	25.8	26.7	29.3	-	25.1	26.1	28.5	-	23.9	24.7	27.1	-	22.1	22.9	25.1	-
	S/T	0.71	0.60	0.41	-	0.74	0.62	0.43	-	0.76	0.63	0.44	-	0.78	0.65	0.45	-	0.81	0.68	0.47	-	0.82	0.68	0.47	-
	Δ T	17	15	11	-	17	15	11	-	17	15	11	-	17	15	11	-	17	15	11	-	16	14	10	-
	kW	2.02	2.06	2.12	-	2.17	2.21	2.28	-	2.30	2.35	2.42	-	2.41	2.46	2.54	-	2.51	2.56	2.64	-	2.59	2.65	2.73	-
	Amps	7.4	7.6	7.9	-	8.1	8.3	8.5	-	8.8	9.0	9.3	-	9.4	9.6	10.0	-	10.0	10.3	10.6	-	10.6	10.9	11.3	-
Hi PR	253	272	287	-	284	305	322	-	323	347	367	-	367	395	418	-	413	445	470	-	457	492	519	-	
Lo PR	107	114	125	-	114	121	132	-	118	126	137	-	124	132	144	-	130	138	151	-	134	143	156	-	
MBh	27.3	28.3	31.0	-	26.7	27.6	30.3	-	26.0	27.0	29.5	-	25.4	26.3	28.8	-	24.1	25.0	27.4	-	22.3	23.2	25.4	-	
S/T	0.73	0.61	0.42	-	0.75	0.63	0.44	-	0.77	0.65	0.45	-	0.80	0.67	0.46	-	0.83	0.69	0.48	-	0.83	0.70	0.48	-	
Δ T	16	14	11	-	16	14	11	-	16	14	11	-	17	14	11	-	16	14	11	-	15	13	10	-	
kW	2.02	2.07	2.13	-	2.17	2.22	2.28	-	2.30	2.35	2.42	-	2.42	2.47	2.55	-	2.52	2.57	2.65	-	2.60	2.66	2.74	-	
Amps	7.5	7.7	7.9	-	8.1	8.3	8.6	-	8.8	9.0	9.3	-	9.4	9.7	10.0	-	10.0	10.3	10.6	-	10.6	10.9	11.3	-	
Hi PR	254	273	288	-	285	306	323	-	324	348	368	-	369	397	419	-	415	446	471	-	458	493	521	-	
Lo PR	108	115	125	-	114	121	132	-	118	126	137	-	124	132	144	-	130	139	151	-	135	143	157	-	

IDB	AIRFLOW	OUTDOOR AMBIENT TEMPERATURE																							
		65°F				75°F				85°F				95°F				105°F				115°F			
		59	63	67	71	59	63	67	71	59	63	67	71	59	63	67	71	59	63	67	71	59	63	67	71
75	MBh	25.4	26.1	28.3	30.3	24.8	25.5	27.6	29.6	24.2	24.9	26.9	28.9	23.6	24.3	26.3	28.2	22.4	23.1	25.0	26.8	20.8	21.4	23.1	24.8
	S/T	0.78	0.70	0.53	0.34	0.81	0.72	0.55	0.35	0.83	0.74	0.56	0.36	0.86	0.77	0.58	0.37	0.89	0.80	0.60	0.39	0.90	0.80	0.61	0.39
	Δ T	21	19	16	11	21	19	16	11	21	19	16	11	21	20	16	11	21	19	16	11	20	18	15	10
	kW	1.99	2.03	2.09	2.15	2.13	2.18	2.24	2.31	2.26	2.31	2.38	2.45	2.37	2.42	2.50	2.58	2.47	2.52	2.60	2.69	2.55	2.61	2.69	2.78
	Amps	7.3	7.5	7.7	8.0	7.9	8.1	8.4	8.7	8.6	8.8	9.1	9.5	9.2	9.4	9.8	10.1	9.8	10.1	10.4	10.8	10.4	10.7	11.0	11.5
	Hi PR	248	267	282	294	278	299	316	329	316	340	359	375	360	387	409	427	405	436	460	480	448	482	509	530
	Lo PR	105	112	122	130	111	118	129	138	116	123	134	143	121	129	141	150	127	135	148	157	132	140	153	163
	MBh	27.5	28.3	30.6	32.9	26.8	27.6	29.9	32.1	26.2	27.0	29.2	31.3	25.6	26.3	28.5	30.6	24.3	25.0	27.1	29.0	22.5	23.2	25.1	26.9
	S/T	0.81	0.72	0.55	0.35	0.84	0.75	0.57	0.37	0.86	0.77	0.58	0.37	0.89	0.79	0.60	0.39	0.92	0.82	0.62	0.40	0.93	0.83	0.63	0.41
	Δ T	19	18	15	10	20	18	15	10	20	18	15	10	20	18	15	10	20	18	15	10	18	17	14	10
	kW	2.04	2.08	2.14	2.20	2.18	2.23	2.30	2.37	2.32	2.36	2.44	2.51	2.43	2.48	2.56	2.64	2.53	2.58	2.67	2.75	2.61	2.67	2.76	2.85
	Amps	7.5	7.7	8.0	8.3	8.1	8.3	8.6	9.0	8.9	9.1	9.4	9.7	9.5	9.7	10.1	10.4	10.1	10.4	10.7	11.1	10.7	11.0	11.4	11.8
Hi PR	255	275	290	303	287	308	326	340	326	351	370	386	371	399	422	440	418	449	475	495	461	497	524	547	
Lo PR	109	115	126	134	115	122	133	142	119	127	138	147	125	133	145	155	131	140	152	162	136	144	158	168	
MBh	27.8	28.6	30.9	33.2	27.1	27.9	30.2	32.4	26.5	27.2	29.5	31.6	25.8	26.6	28.8	30.9	24.5	25.3	27.3	29.3	22.7	23.4	25.3	27.2	
S/T	0.83	0.74	0.56	0.36	0.86	0.77	0.58	0.37	0.88	0.79	0.59	0.38	0.91	0.81	0.61	0.39	0.94	0.84	0.64	0.41	0.95	0.85	0.64	0.41	
Δ T	19	17	14	10	19	17	14	10	19	17	14	10	19	18	14	10	19	17	14	10	18	16	13	9	
kW	2.04	2.08	2.14	2.21	2.19	2.23	2.30	2.37	2.32	2.37	2.44	2.52	2.44	2.49	2.57	2.65	2.54	2.59	2.67	2.76	2.62	2.68	2.76	2.85	
Amps	7.5	7.7	8.0	8.3	8.2	8.4	8.6	9.0	8.9	9.1	9.4	9.8	9.5	9.7	10.1	10.5	10.1	10.4	10.7	11.2	10.7	11.0	11.4	11.8	
Hi PR	256	276	291	304	287	309	327	341	327	352	371	387	372	401	423	441	419	451	476	496	463	498	526	549	
Lo PR	109	116	126	135	115	122	134	142	120	127	139	148	126	134	146	155	132	140	153	163	136	145	158	168	

IDB: Entering Indoor Dry Bulb Temperature  
 High and low pressures are measured at the liquid and suction service valves.  
 Shaded area reflects ACCA (TVA) conditions  
 Amps = outdoor unit amps (comp.+fan)  
 kW = Total system power



IDB		OUTDOOR AMBIENT TEMPERATURE												ENTERING INDOOR WET BULB TEMPERATURE											
		65°F				75°F				85°F				95°F				105°F				115°F			
		59	63	67	71	59	63	67	71	59	63	67	71	59	63	67	71	59	63	67	71	59	63	67	71
<b>70</b>	MBh	29.5	30.6	33.5	-	28.8	29.9	32.7	-	28.1	29.2	31.9	-	27.4	28.4	31.2	-	26.1	27.0	29.6	-	24.2	25.0	27.4	-
	S/T	0.68	0.57	0.39	-	0.70	0.59	0.41	-	0.72	0.60	0.42	-	0.75	0.62	0.43	-	0.77	0.65	0.45	-	0.78	0.65	0.45	-
	Δ T	18	15	12	-	18	15	12	-	18	15	12	-	18	16	12	-	18	15	12	-	17	14	11	-
	kW	2.32	2.37	2.44	-	2.49	2.55	2.63	-	2.65	2.70	2.79	-	2.78	2.84	2.93	-	2.89	2.96	3.05	-	2.99	3.06	3.16	-
	Amps	8.5	8.7	9.0	-	9.2	9.5	9.8	-	10.1	10.3	10.7	-	10.8	11.1	11.4	-	11.5	11.8	12.2	-	12.2	12.5	13.0	-
	Hi PR	235	252	267	-	263	283	299	-	299	322	340	-	341	367	387	-	384	413	436	-	424	456	482	-
	Lo PR	101	107	117	-	107	113	124	-	111	118	129	-	116	124	135	-	122	130	142	-	126	134	146	-
	MBh	32.0	33.1	36.3	-	31.2	32.4	35.5	-	30.5	31.6	34.6	-	29.7	30.8	33.8	-	28.2	29.3	32.1	-	26.2	27.1	29.7	-
	S/T	0.71	0.59	0.41	-	0.73	0.61	0.42	-	0.75	0.63	0.43	-	0.77	0.65	0.45	-	0.80	0.67	0.46	-	0.81	0.68	0.47	-
	Δ T	17	15	11	-	17	15	11	-	17	15	11	-	18	15	12	-	17	15	11	-	16	14	11	-
kW	2.38	2.43	2.50	-	2.56	2.61	2.69	-	2.71	2.77	2.86	-	2.85	2.91	3.00	-	2.97	3.03	3.13	-	3.07	3.14	3.24	-	
Amps	8.8	9.0	9.3	-	9.5	9.7	10.1	-	10.4	10.6	11.0	-	11.1	11.4	11.8	-	11.8	12.1	12.6	-	12.6	12.9	13.3	-	
Hi PR	242	260	275	-	271	292	308	-	309	332	351	-	352	378	399	-	395	426	449	-	437	470	497	-	
Lo PR	104	111	121	-	110	117	128	-	114	121	133	-	120	128	139	-	126	134	146	-	130	138	151	-	
MBh	32.9	34.1	37.4	-	32.2	33.3	36.5	-	31.4	32.5	35.7	-	30.6	31.7	34.8	-	29.1	30.2	33.0	-	27.0	27.9	30.6	-	
S/T	0.74	0.62	0.43	-	0.77	0.64	0.44	-	0.79	0.66	0.45	-	0.81	0.68	0.47	-	0.84	0.70	0.49	-	0.85	0.71	0.49	-	
Δ T	17	14	11	-	17	15	11	-	17	15	11	-	17	15	11	-	17	14	11	-	16	13	10	-	
kW	2.40	2.45	2.52	-	2.58	2.63	2.71	-	2.73	2.79	2.88	-	2.87	2.93	3.03	-	2.99	3.06	3.16	-	3.09	3.16	3.26	-	
Amps	8.8	9.1	9.4	-	9.6	9.8	10.2	-	10.5	10.7	11.1	-	11.2	11.5	11.9	-	12.0	12.3	12.7	-	12.7	13.0	13.5	-	
Hi PR	244	263	278	-	274	295	311	-	312	335	354	-	355	382	403	-	399	430	454	-	441	475	501	-	
Lo PR	105	112	122	-	111	118	129	-	115	123	134	-	121	129	141	-	127	135	147	-	131	140	152	-	
<b>1050</b>	MBh	30.0	30.9	33.4	35.9	29.3	30.2	32.7	35.1	28.6	29.5	31.9	34.2	27.9	28.7	31.1	33.4	26.5	27.3	29.6	31.7	24.6	25.3	27.4	29.4
	S/T	0.77	0.69	0.52	0.34	0.80	0.72	0.54	0.35	0.82	0.73	0.56	0.36	0.85	0.76	0.57	0.37	0.88	0.79	0.60	0.38	0.89	0.79	0.60	0.39
	Δ T	20	19	15	11	21	19	16	11	21	19	16	11	21	19	16	11	20	19	15	11	19	18	14	10
	kW	2.34	2.39	2.46	2.54	2.51	2.57	2.65	2.73	2.67	2.72	2.81	2.90	2.80	2.86	2.96	3.05	2.92	2.98	3.08	3.18	3.02	3.08	3.18	3.29
	Amps	8.6	8.8	9.1	9.5	9.3	9.6	9.9	10.3	10.2	10.4	10.8	11.2	10.9	11.2	11.6	12.0	11.6	11.9	12.3	12.8	12.3	12.6	13.1	13.6
	Hi PR	237	255	269	281	266	286	302	315	302	325	344	358	344	371	391	408	388	417	440	459	428	461	487	507
	Lo PR	102	108	118	126	108	114	125	133	112	119	130	138	117	125	136	145	123	131	143	152	127	135	148	158
	MBh	32.5	33.5	36.2	38.9	31.8	32.7	35.4	38.0	31.0	31.9	34.5	37.1	30.2	31.1	33.7	36.2	28.7	29.6	32.0	34.4	26.6	27.4	29.7	31.8
	S/T	0.80	0.72	0.54	0.35	0.83	0.74	0.56	0.36	0.85	0.76	0.58	0.37	0.88	0.79	0.60	0.38	0.91	0.82	0.62	0.40	0.92	0.82	0.62	0.40
	Δ T	20	18	15	10	20	19	15	11	20	19	15	11	20	19	15	11	20	18	15	10	19	17	14	10
kW	2.40	2.45	2.52	2.60	2.58	2.63	2.71	2.80	2.73	2.79	2.88	2.97	2.87	2.94	3.03	3.13	2.99	3.06	3.16	3.26	3.09	3.16	3.27	3.37	
Amps	8.8	9.1	9.4	9.7	9.6	9.8	10.2	10.6	10.5	10.7	11.1	11.5	11.2	11.5	11.9	12.4	12.0	12.3	12.7	13.2	12.7	13.0	13.5	14.0	
Hi PR	244	263	278	290	274	295	312	325	312	336	354	370	355	382	404	421	399	430	454	473	441	475	502	523	
Lo PR	105	112	122	130	111	118	129	137	115	123	134	143	121	129	141	150	127	135	147	157	131	140	152	162	
MBh	33.5	34.5	37.3	40.0	32.7	33.7	36.4	39.1	31.9	32.9	35.6	38.2	31.1	32.1	34.7	37.3	29.6	30.5	33.0	35.4	27.4	28.2	30.5	32.8	
S/T	0.84	0.75	0.57	0.37	0.87	0.78	0.59	0.38	0.89	0.80	0.60	0.39	0.92	0.82	0.62	0.40	0.96	0.86	0.65	0.42	0.96	0.86	0.65	0.42	
Δ T	19	18	14	10	19	18	15	10	19	18	15	10	20	18	15	10	19	18	15	10	18	17	14	9	
kW	2.41	2.46	2.54	2.62	2.60	2.65	2.73	2.82	2.76	2.81	2.90	3.00	2.90	2.96	3.05	3.15	3.02	3.08	3.18	3.29	3.12	3.19	3.29	3.40	
Amps	8.9	9.2	9.5	9.8	9.7	9.9	10.3	10.7	10.6	10.8	11.2	11.6	11.3	11.6	12.0	12.5	12.1	12.4	12.8	13.3	12.8	13.2	13.6	14.1	
Hi PR	247	266	280	292	277	298	315	328	315	339	358	373	359	386	408	425	403	434	459	478	446	480	507	528	
Lo PR	106	113	123	131	112	119	130	139	116	124	135	144	122	130	142	151	128	136	149	159	133	141	154	164	

IDB: Entering Indoor Dry Bulb Temperature  
 High and low pressures are measured at the liquid and suction service valves.  
 Shaded area reflects ACCA (TVA) conditions  
 Amps = outdoor unit amps (comp.+fan)  
 kW = Total system power



IDB	AIRFLOW	OUTDOOR AMBIENT TEMPERATURE												ENTERING INDOOR WET BULB TEMPERATURE											
		65°F				75°F				85°F				95°F				105°F				115°F			
		59	63	67	71	59	63	67	71	59	63	67	71	59	63	67	71	59	63	67	71	59	63	67	71
70	MBh	35.1	36.4	39.9	-	34.3	35.6	39.0	-	33.5	34.7	38.0	-	32.7	33.9	37.1	-	31.0	32.2	35.2	-	28.8	29.8	32.7	-
	S/T	0.72	0.60	0.42	-	0.75	0.63	0.43	-	0.77	0.64	0.45	-	0.79	0.66	0.46	-	0.82	0.69	0.48	-	0.83	0.69	0.48	-
	Δ T	19	17	13	-	19	17	13	-	19	17	13	-	19	17	13	-	19	17	13	-	18	16	12	-
	kW	2.81	2.86	2.94	-	3.00	3.06	3.15	-	3.17	3.24	3.33	-	3.33	3.39	3.50	-	3.45	3.53	3.63	-	3.57	3.64	3.75	-
	Amps	10.3	10.6	10.9	-	11.1	11.4	11.8	-	12.1	12.4	12.8	-	12.9	13.2	13.7	-	13.7	14.1	14.5	-	14.5	14.9	15.4	-
	Hi PR	220	237	250	-	247	266	281	-	281	302	319	-	320	344	363	-	360	387	409	-	398	428	452	-
	Lo PR	101	107	117	-	107	113	124	-	111	118	129	-	116	124	135	-	122	130	142	-	126	134	147	-
	MBh	38.1	39.4	43.2	-	37.2	38.5	42.2	-	36.3	37.6	41.2	-	35.4	36.7	40.2	-	33.6	34.9	38.2	-	31.2	32.3	35.4	-
	S/T	0.75	0.63	0.43	-	0.78	0.65	0.45	-	0.80	0.67	0.46	-	0.82	0.69	0.48	-	0.86	0.71	0.49	-	0.86	0.72	0.50	-
	Δ T	19	16	12	-	19	16	12	-	19	16	12	-	19	17	13	-	19	16	12	-	18	15	12	-
	kW	2.87	2.92	3.01	-	3.07	3.13	3.22	-	3.25	3.31	3.41	-	3.40	3.47	3.58	-	3.54	3.61	3.72	-	3.65	3.73	3.84	-
	Amps	10.6	10.9	11.2	-	11.5	11.7	12.1	-	12.4	12.7	13.1	-	13.3	13.6	14.0	-	14.1	14.5	14.9	-	15.0	15.3	15.8	-
Hi PR	227	244	258	-	255	274	289	-	289	312	329	-	330	355	375	-	371	399	421	-	410	441	466	-	
Lo PR	104	111	121	-	110	117	128	-	114	122	133	-	120	128	139	-	126	134	146	-	130	138	151	-	
MBh	39.2	40.6	44.5	-	38.3	39.7	43.5	-	37.4	38.7	42.4	-	36.5	37.8	41.4	-	34.6	35.9	39.3	-	32.1	33.3	36.4	-	
S/T	0.79	0.66	0.46	-	0.82	0.68	0.47	-	0.84	0.70	0.48	-	0.86	0.72	0.50	-	0.90	0.75	0.52	-	0.90	0.76	0.52	-	
Δ T	18	16	12	-	18	16	12	-	18	16	12	-	18	16	12	-	18	16	12	-	17	15	11	-	
kW	2.89	2.94	3.03	-	3.09	3.15	3.25	-	3.27	3.34	3.44	-	3.43	3.50	3.61	-	3.56	3.64	3.75	-	3.68	3.76	3.87	-	
Amps	10.7	11.0	11.3	-	11.6	11.8	12.2	-	12.5	12.8	13.3	-	13.4	13.7	14.2	-	14.2	14.6	15.1	-	15.1	15.5	16.0	-	
Hi PR	229	247	260	-	257	277	292	-	292	315	332	-	333	358	378	-	375	403	426	-	414	445	470	-	
Lo PR	105	112	122	-	111	118	129	-	115	123	134	-	121	129	141	-	127	135	148	-	131	140	153	-	
75	MBh	35.7	36.8	39.8	42.7	34.9	35.9	38.9	41.7	34.1	35.1	38.0	40.7	33.2	34.2	37.0	39.7	31.6	32.5	35.2	37.8	29.2	30.1	32.6	35.0
	S/T	0.82	0.74	0.56	0.36	0.85	0.76	0.58	0.37	0.87	0.78	0.59	0.38	0.90	0.81	0.61	0.39	0.94	0.84	0.63	0.41	0.95	0.85	0.64	0.41
	Δ T	22	20	17	11	22	21	17	12	22	21	17	12	23	21	17	12	22	20	17	12	21	19	16	11
	kW	2.83	2.88	2.96	3.05	3.02	3.08	3.17	3.27	3.20	3.26	3.36	3.46	3.35	3.42	3.52	3.63	3.48	3.55	3.66	3.78	3.59	3.67	3.78	3.90
	Amps	10.4	10.7	11.0	11.4	11.2	11.5	11.9	12.3	12.2	12.5	12.9	13.4	13.0	13.3	13.8	14.3	13.9	14.2	14.7	15.2	14.7	15.0	15.5	16.1
	Hi PR	222	239	253	263	249	268	283	296	284	305	322	336	323	348	367	383	363	391	413	431	402	432	456	476
	Lo PR	102	108	118	126	108	115	125	133	112	119	130	138	118	125	137	145	123	131	143	152	127	136	148	158
	MBh	38.7	39.8	43.1	46.3	37.8	38.9	42.1	45.2	36.9	38.0	41.1	44.1	36.0	37.1	40.1	43.1	34.2	35.2	38.1	40.9	31.7	32.6	35.3	37.9
	S/T	0.85	0.76	0.58	0.37	0.88	0.79	0.60	0.39	0.91	0.81	0.61	0.40	0.94	0.84	0.63	0.41	0.97	0.87	0.66	0.42	0.98	0.88	0.66	0.43
	Δ T	22	20	16	11	22	20	17	11	22	20	17	11	22	20	17	12	22	20	16	11	20	19	15	11
	kW	2.89	2.95	3.03	3.12	3.09	3.15	3.25	3.35	3.27	3.34	3.44	3.54	3.43	3.50	3.61	3.72	3.57	3.64	3.75	3.87	3.68	3.76	3.88	4.00
	Amps	10.7	11.0	11.3	11.7	11.6	11.8	12.2	12.7	12.5	12.8	13.3	13.8	13.4	13.7	14.2	14.7	14.3	14.6	15.1	15.7	15.1	15.5	16.0	16.6
Hi PR	229	247	260	272	257	277	292	305	292	315	332	347	333	358	378	395	375	403	426	444	414	446	470	491	
Lo PR	105	112	122	130	111	118	129	137	115	123	134	143	121	129	141	150	127	135	148	157	131	140	153	163	
MBh	39.9	41.0	44.4	47.7	38.9	40.1	43.4	46.6	38.0	39.1	42.4	45.5	37.1	38.2	41.3	44.4	35.2	36.3	39.3	42.1	32.6	33.6	36.4	39.0	
S/T	0.90	0.80	0.61	0.39	0.93	0.83	0.63	0.40	0.95	0.85	0.64	0.41	0.98	0.88	0.66	0.43	1.00	0.91	0.69	0.44	1.00	0.92	0.70	0.45	
Δ T	21	19	16	11	21	19	16	11	21	19	16	11	21	20	16	11	21	19	16	11	19	18	15	10	
kW	2.91	2.97	3.05	3.14	3.12	3.18	3.27	3.37	3.30	3.36	3.47	3.57	3.46	3.53	3.64	3.75	3.59	3.67	3.78	3.90	3.71	3.79	3.91	4.03	
Amps	10.8	11.1	11.4	11.8	11.7	11.9	12.3	12.8	12.7	13.0	13.4	13.9	13.5	13.8	14.3	14.8	14.4	14.7	15.2	15.8	15.2	15.6	16.1	16.7	
Hi PR	231	249	263	274	260	279	295	308	295	318	336	350	336	362	382	399	378	407	430	449	418	450	475	496	
Lo PR	106	113	123	131	112	119	130	139	117	124	135	144	122	130	142	151	128	136	149	159	133	141	154	164	

IDB: Entering Indoor Dry Bulb Temperature  
 High and low pressures are measured at the liquid and suction service valves.  
 Shaded area reflects ACCA (TVA) conditions  
 Amps = outdoor unit amps (comp.+fan)  
 kW = Total system power

IDB	AIRFLOW	OUTDOOR AMBIENT TEMPERATURE												ENTERING INDOOR WET BULB TEMPERATURE													
		65°F				75°F				85°F				95°F				105°F				115°F					
		59	63	67	71	59	63	67	71	59	63	67	71	59	63	67	71	59	63	67	71	59	63	67	71		
<b>80</b>	<b>1225</b>	MBh	36.4	37.1	39.7	42.4	35.5	36.3	38.8	41.4	34.7	35.4	37.8	40.5	33.8	34.6	36.9	39.5	32.1	32.8	35.1	37.5	29.8	30.4	32.5	34.7	
		S/T	0.90	0.85	0.69	0.5	0.94	0.88	0.71	0.53	0.96	0.90	0.73	0.5	0.99	0.93	0.76	0.57	1.03	0.96	0.78	0.6	1.04	0.97	0.79	0.59	
		Δ T	25	24	21	16	25	24	21	17	25	24	21	17	25	24	21	17	25	24	21	17	23	22	19	15	
	<b>1400</b>	KW	2.85	2.90	2.98	3.1	3.05	3.11	3.20	3.29	3.22	3.29	3.39	3.5	3.38	3.45	3.55	3.66	3.51	3.58	3.69	3.8	3.62	3.70	3.81	3.93	
		Amps	10.5	10.8	11.1	11.5	11.4	11.6	12.0	12.4	12.3	12.6	13.0	13.5	13.2	13.5	13.9	14.4	14.0	14.3	14.8	15.4	14.8	15.2	15.7	16.3	
		Hi PR	225	242	255	266.1	252	271	286	299	287	308	326	339.6	326	351	371	387	367	395	417	435.1	406	437	461	481	
	<b>1575</b>	Lo PR	103	110	120	127.4	109	116	126	135	113	120	131	139.8	119	126	138	147	124	132	145	154.0	129	137	150	159	
		MBh	39.4	40.2	43.0	46.0	38.5	39.3	42.0	44.9	37.6	38.4	41.0	43.8	36.6	37.4	40.0	42.8	34.8	35.6	38.0	40.6	32.2	32.9	35.2	37.6	
		S/T	0.94	0.88	0.71	0.5	0.97	0.91	0.74	0.55	1.00	0.93	0.76	0.6	1.00	0.96	0.78	0.59	1.00	1.00	0.81	0.6	1.00	1.00	0.82	0.61	
	<b>85</b>	<b>1225</b>	Δ T	24	23	20	16	25	23	20	16	25	24	20	16	24	21	17	25	23	20	16	21	22	19	15	
			KW	2.91	2.97	3.05	3.1	3.12	3.18	3.27	3.37	3.30	3.36	3.47	3.6	3.46	3.53	3.64	3.75	3.59	3.67	3.78	3.9	3.71	3.79	3.91	4.03
			Amps	10.8	11.1	11.4	11.8	11.7	11.9	12.3	12.8	12.7	13.0	13.4	13.9	13.5	13.9	14.3	14.8	14.4	14.7	15.2	15.8	15.2	15.6	16.1	16.7
<b>1400</b>		Hi PR	231	249	263	274.3	260	279	295	308	295	318	336	350.1	336	362	382	399	378	407	430	448.6	418	450	475	496	
		Lo PR	106	113	123	131.3	112	119	130	139	117	124	135	144.2	122	130	142	151	128	137	149	158.7	133	141	154	164	
		MBh	40.6	41.5	44.3	47.3	39.6	40.5	43.3	46.2	38.7	39.5	42.2	45.1	37.7	38.6	41.2	44.0	35.9	36.6	39.1	41.8	33.2	33.9	36.3	38.8	
<b>1575</b>		S/T	1.00	0.92	0.75	0.6	1.00	0.95	0.78	0.58	1.00	1.00	0.80	0.6	1.00	1.00	0.82	0.61	1.00	1.00	0.85	0.6	1.00	1.00	0.86	0.64	
		Δ T	24	22	19	15	23	23	20	16	23	23	20	16	22	23	20	16	21	21	19	16	19	20	18	15	
		KW	2.93	2.99	3.08	3.2	3.14	3.20	3.30	3.40	3.32	3.39	3.49	3.6	3.48	3.56	3.66	3.78	3.62	3.70	3.81	3.9	3.74	3.82	3.94	4.06	
<b>1225</b>		Amps	10.9	11.2	11.5	11.9	11.8	12.0	12.4	12.9	12.8	13.1	13.5	14.0	13.6	14.0	14.4	15.0	14.5	14.9	15.4	15.9	15.4	15.7	16.3	16.9	
		Hi PR	227	244	258	269	254	274	289	302	289	311	329	343	330	355	375	391	371	399	421	439	410	441	466	486	
		Lo PR	104	111	121	129	110	117	128	136	114	121	133	141	120	128	139	148	126	134	146	155	130	138	151	161	
<b>1400</b>	MBh	40.1	40.9	42.8	45.6	39.1	39.9	41.8	44.6	38.2	39.0	40.8	43.5	37.3	38.0	39.8	42.5	35.4	36.1	37.8	40.3	32.8	33.4	35.0	37.4		
	S/T	0.98	0.95	0.85	0.69	1.00	0.98	0.89	0.72	1.00	1.00	0.91	0.74	1.00	1.00	0.94	0.76	1.00	1.00	0.97	0.79	1.00	1.00	0.98	0.80		
	Δ T	26	25	24	21	26	26	24	21	25	26	24	21	24	25	25	21	23	24	24	21	22	22	23	20		
<b>1575</b>	KW	2.93	2.99	3.08	3.17	3.14	3.20	3.30	3.40	3.32	3.39	3.49	3.60	3.48	3.56	3.66	3.78	3.62	3.70	3.81	3.93	3.74	3.82	3.94	4.06		
	Amps	10.9	11.2	11.5	11.9	11.8	12.0	12.4	12.9	12.8	13.1	13.5	14.0	13.6	14.0	14.4	15.0	14.5	14.9	15.4	15.9	15.4	15.7	16.3	16.9		
	Hi PR	234	252	266	277	262	282	298	311	298	321	339	354	340	366	386	403	382	411	434	453	422	455	480	501		
<b>1575</b>	Lo PR	107	114	125	133	113	121	132	140	118	125	137	145.6	124	132	144	153	130	138	151	160	134	143	156	166		
	MBh	41.3	42.1	44.1	47.0	40.3	41.1	43.0	45.9	39.4	40.1	42.0	44.8	38.4	39.1	41.0	43.7	36.5	37.2	38.9	41.5	33.8	34.4	36.1	38.5		
	S/T	1.00	0.99	0.90	0.73	1.00	1.00	0.93	0.75	1.00	1.00	0.95	0.77	1.00	1.00	0.98	0.80	1.00	1.00	0.97	0.83	1.00	1.00	0.98	0.83		
<b>1575</b>	Δ T	24	24	23	20	24	24	23	20	23	23	20	17	22	23	24	20	21	22	23	20	20	20	21	19		
	KW	2.95	3.01	3.10	3.19	3.16	3.23	3.32	3.42	3.35	3.42	3.52	3.63	3.51	3.58	3.69	3.81	3.65	3.73	3.84	3.96	3.77	3.85	3.97	4.10		
	Amps	11.0	11.3	11.6	12.0	11.9	12.2	12.6	13.0	12.9	13.2	13.6	14.1	13.8	14.1	14.6	15.1	14.6	15.0	15.5	16.1	15.5	15.9	16.4	17.1		
<b>1575</b>	Hi PR	236	254	268	280	265	285	301	314	301	324	342	357	343	369	390	407	386	415	439	458	427	459	485	506		
	Lo PR	108	115	126	134	114	122	133	142	119	126	138	147	125	133	145	154	131	139	152	162	135	144	157	167		

IDB: Entering Indoor Dry Bulb Temperature  
 High and low pressures are measured at the liquid and suction service valves.  
 Shaded area reflects AHRI conditions  
 Amps = outdoor unit amps (comp.+fan)  
 kW = Total system power





IDB	AIRFLOW	OUTDOOR AMBIENT TEMPERATURE												ENTERING INDOOR WET BULB TEMPERATURE												
		65°F				75°F				85°F				95°F				105°F				115°F				
		59	63	67	71	59	63	67	71	59	63	67	71	59	63	67	71	59	63	67	71	59	63	67	71	
80	1400	MBh	41.8	42.7	45.6	48.8	40.8	41.7	44.6	47.7	39.9	40.7	43.5	46.5	38.9	39.7	42.5	45.4	36.9	37.8	40.3	43.1	34.2	35.0	37.4	39.9
		S/T	0.88	0.83	0.67	0.5	0.91	0.86	0.70	0.52	0.94	0.88	0.71	0.5	0.97	0.91	0.74	0.55	1.00	0.94	0.77	0.6	1.01	0.95	0.77	0.58
		Δ T	24	23	20	16	24	23	20	16	25	23	20	16	25	24	21	16	24	23	20	16	23	22	19	15
	1600	KW	3.26	3.33	3.42	3.5	3.49	3.56	3.67	3.78	3.70	3.77	3.89	4.0	3.88	3.96	4.08	4.21	4.03	4.12	4.25	4.4	4.17	4.25	4.39	4.53
		Amps	12.1	12.3	12.7	13.2	13.0	13.3	13.8	14.3	14.2	14.5	15.0	15.5	15.1	15.5	16.0	16.6	16.1	16.5	17.0	17.7	17.1	17.5	18.1	18.8
		Hi/PR	246	264	279	291.3	276	297	313	327	314	338	356	371.7	357	384	406	423	402	432	457	476.3	444	478	505	526
	1800	Lo/PR	106	113	123	130.9	112	119	130	138	116	124	135	143.7	122	130	142	151	128	136	149	158.2	132	141	154	164
		MBh	45.3	46.3	49.5	52.9	44.2	45.2	48.3	51.6	43.2	44.1	47.2	50.4	42.1	43.1	46.0	49.2	40.0	40.9	43.7	46.7	37.1	37.9	40.5	43.3
		S/T	0.91	0.86	0.70	0.5	0.95	0.89	0.72	0.54	0.97	0.91	0.74	0.6	1.00	0.94	0.77	0.57	1.00	0.98	0.79	0.6	1.00	0.98	0.80	0.60
	85	1400	Δ T	24	23	20	16	24	23	20	16	24	23	20	16	24	23	20	16	23	22	20	16	21	21	19
KW			3.34	3.40	3.50	3.6	3.58	3.65	3.76	3.87	3.79	3.86	3.98	4.1	3.97	4.06	4.18	4.31	4.13	4.22	4.35	4.5	4.27	4.36	4.50	4.64
Amps			12.4	12.7	13.1	13.6	13.4	13.7	14.2	14.7	14.6	14.9	15.4	16.0	15.6	15.9	16.5	17.1	16.6	17.0	17.5	18.2	17.5	18.0	18.6	19.3
1600		Hi/PR	253	273	288	300.3	284	306	323	337	323	348	367	383.2	368	396	419	436	414	446	471	491.1	458	493	520	543
		Lo/PR	109	116	127	134.9	115	123	134	143	120	127	139	148.1	126	134	146	156	132	140	153	163.1	136	145	158	169
		MBh	46.7	47.7	50.9	54.4	45.6	46.6	49.7	53.2	44.5	45.5	48.6	51.9	43.4	44.3	47.4	50.6	41.2	42.1	45.0	48.1	38.2	39.0	41.7	44.6
1800		S/T	0.96	0.90	0.73	0.5	1.00	0.93	0.76	0.57	1.00	0.95	0.78	0.6	1.00	0.94	0.77	0.57	1.00	1.00	0.83	0.6	1.00	1.00	0.84	0.63
		Δ T	23	22	19	15	23	22	19	15	23	22	19	15	22	23	20	16	21	22	19	15	20	20	18	14
		KW	3.36	3.43	3.53	3.6	3.60	3.68	3.79	3.90	3.82	3.89	4.01	4.1	4.00	4.09	4.21	4.35	4.16	4.25	4.39	4.5	4.30	4.39	4.53	4.68
1600		Amps	12.5	12.8	13.2	13.7	13.5	13.8	14.3	14.8	14.7	15.0	15.5	16.1	15.7	16.1	16.6	17.2	16.7	17.1	17.7	18.4	17.7	18.1	18.8	19.5
	Hi/PR	256	275	291	303	287	309	326	340	327	351	371	387.1	372	400	423	441	418	450	476	496.0	462	498	525	548	
	Lo/PR	107	114	124	132	113	120	131	140	117	125	136	145	123	131	143	152	129	137	150	160	134	142	155	165	
1400	MBh	46.1	47.0	49.2	52.5	45.0	45.9	48.1	51.3	43.9	44.8	46.9	50.1	42.9	43.7	45.8	48.8	40.7	41.5	43.5	46.4	37.7	38.5	40.3	43.0	
	S/T	0.96	0.92	0.83	0.68	0.99	0.96	0.86	0.70	1.00	0.98	0.89	0.72	1.00	1.00	0.91	0.74	1.00	1.00	0.95	0.77	1.00	1.00	0.96	0.78	
	Δ T	25	25	24	20	26	25	24	21	25	25	24	21	25	25	24	21	23	24	24	21	22	22	22	19	
1600	KW	3.36	3.43	3.53	3.64	3.60	3.68	3.79	3.90	3.82	3.89	4.01	4.14	4.00	4.09	4.21	4.35	4.16	4.25	4.39	4.53	4.30	4.39	4.53	4.68	
	Amps	12.5	12.8	13.2	13.7	13.5	13.8	14.3	14.8	14.7	15.0	15.5	16.1	15.7	16.1	16.6	17.2	16.7	17.1	17.7	18.4	17.7	18.1	18.8	19.5	
	Hi/PR	256	275	291	303	287	309	326	340	327	351	371	387	372	400	423	441	418	450	476	496	462	498	525	548	
1800	Lo/PR	110	117	128	136	116	124	135	144	121	129	140	150	127	135	148	157	133	142	155	165	138	147	160	170	
	MBh	47.5	48.4	50.7	54.1	46.4	47.3	49.5	52.8	45.3	46.1	48.3	51.6	44.2	45.0	47.1	50.3	42.0	42.8	44.8	47.8	38.9	39.6	41.5	44.3	
	S/T	1.00	0.97	0.87	0.71	1.00	1.00	0.91	0.74	1.00	1.00	0.93	0.75	1.00	1.00	0.96	0.78	1.00	1.00	0.95	0.77	1.00	1.00	0.96	0.81	
1400	Δ T	24	24	23	20	24	24	23	20	23	24	23	20	23	23	23	20	21	22	23	20	20	20	21	18	
	KW	3.39	3.45	3.56	3.66	3.63	3.70	3.82	3.93	3.85	3.93	4.05	4.17	4.04	4.12	4.25	4.38	4.20	4.29	4.42	4.56	4.34	4.43	4.57	4.72	
	Amps	12.6	12.9	13.3	13.8	13.6	14.0	14.4	15.0	14.8	14.8	15.2	15.7	16.3	15.8	16.2	16.8	17.4	16.9	17.3	17.9	18.5	17.9	18.3	18.9	19.7
1600	Hi/PR	258	278	294	306	290	312	330	344	330	355	375	391	376	404	427	445	423	455	480	501	467	503	531	553	
	Lo/PR	111	118	129	138	118	125	137	145	122	130	142	151	128	137	149	159	134	143	156	166	139	148	162	172	
	MBh	47.5	48.4	50.7	54.1	46.4	47.3	49.5	52.8	45.3	46.1	48.3	51.6	44.2	45.0	47.1	50.3	42.0	42.8	44.8	47.8	38.9	39.6	41.5	44.3	

Amps = outdoor unit amps (comp.+fan)  
kW = Total system power

Shaded area reflects AHRI conditions

IDB: Entering Indoor Dry Bulb Temperature  
High and low pressures are measured at the liquid and suction service valves.

IDB	AIRFLOW	OUTDOOR AMBIENT TEMPERATURE												ENTERING INDOOR WET BULB TEMPERATURE											
		65°F				75°F				85°F				95°F				105°F				115°F			
		59	63	67	71	59	63	67	71	59	63	67	71	59	63	67	71	59	63	67	71	59	63	67	71
70	MBh	54.2	56.2	61.6	-	53.0	54.9	60.1	-	51.7	53.6	58.7	-	50.4	52.3	57.3	-	47.9	49.7	54.4	-	44.4	46.0	50.4	-
	S/T	0.69	0.58	0.40	-	0.72	0.60	0.42	-	0.74	0.62	0.43	-	0.76	0.64	0.44	-	0.79	0.66	0.46	-	0.80	0.66	0.46	-
	Δ T	20	17	13	-	20	17	13	-	20	17	13	-	20	17	13	-	20	17	13	-	19	16	12	-
	kW	4.03	4.11	4.24	-	4.33	4.42	4.56	-	4.60	4.70	4.85	-	4.83	4.94	5.10	-	5.03	5.14	5.31	-	5.21	5.32	5.49	-
	Amps	15.2	15.6	16.1	-	16.5	16.9	17.5	-	18.0	18.4	19.0	-	19.2	19.7	20.4	-	20.5	21.0	21.7	-	21.7	22.3	23.0	-
	Hi PR	259	279	294	-	291	313	330	-	331	356	376	-	376	405	428	-	423	456	481	-	468	504	532	-
	Lo PR	105	112	122	-	111	118	129	-	116	123	134	-	122	129	141	-	127	135	148	-	132	140	153	-
	MBh	54.2	56.2	61.6	-	53.0	54.9	60.1	-	51.7	53.6	58.7	-	50.4	52.3	57.3	-	47.9	49.7	54.4	-	44.4	46.0	50.4	-
	S/T	0.69	0.58	0.40	-	0.72	0.60	0.42	-	0.74	0.62	0.43	-	0.76	0.64	0.44	-	0.79	0.66	0.46	-	0.80	0.66	0.46	-
	Δ T	20	17	13	-	20	17	13	-	20	17	13	-	20	17	13	-	20	17	13	-	19	16	12	-
kW	4.03	4.11	4.24	-	4.33	4.42	4.56	-	4.60	4.70	4.85	-	4.83	4.94	5.10	-	5.03	5.14	5.31	-	5.21	5.32	5.49	-	
Amps	15.2	15.6	16.1	-	16.5	16.9	17.5	-	18.0	18.4	19.0	-	19.2	19.7	20.4	-	20.5	21.0	21.7	-	21.7	22.3	23.0	-	
Hi PR	259	279	294	-	291	313	330	-	331	356	376	-	376	405	428	-	423	456	481	-	468	504	532	-	
Lo PR	105	112	122	-	111	118	129	-	116	123	134	-	122	129	141	-	127	135	148	-	132	140	153	-	
75	MBh	55.1	56.8	61.5	66.0	53.9	55.5	60.0	64.4	52.6	54.1	58.6	62.9	51.3	52.8	57.2	61.4	48.7	50.2	54.3	58.3	45.1	46.5	50.3	54.0
	S/T	0.79	0.71	0.53	0.34	0.82	0.73	0.55	0.36	0.84	0.75	0.57	0.36	0.86	0.77	0.59	0.38	0.90	0.80	0.61	0.39	0.91	0.81	0.61	0.39
	Δ T	23	21	17	12	23	21	17	12	23	21	17	12	23	21	18	12	23	21	17	12	21	20	16	11
	kW	4.06	4.15	4.27	4.41	4.37	4.46	4.60	4.75	4.64	4.74	4.89	5.04	4.87	4.98	5.14	5.31	5.07	5.19	5.35	5.53	5.25	5.36	5.54	5.72
	Amps	15.4	15.8	16.3	16.9	16.7	17.1	17.6	18.3	18.1	18.6	19.2	20.0	19.4	19.9	20.6	21.4	20.7	21.2	21.9	22.8	21.9	22.5	23.3	24.2
	Hi PR	262	282	297	310	294	316	334	348	334	359	379	396	380	409	432	451	428	460	486	507	473	509	537	560
	Lo PR	106	113	124	132	112	120	131	139	117	124	136	145	123	131	143	152	129	137	149	159	133	142	155	165
	MBh	55.1	56.8	61.5	66.0	53.9	55.5	60.0	64.4	52.6	54.1	58.6	62.9	51.3	52.8	57.2	61.4	48.7	50.2	54.3	58.3	45.1	46.5	50.3	54.0
	S/T	0.79	0.71	0.53	0.34	0.82	0.73	0.55	0.36	0.84	0.75	0.57	0.36	0.86	0.77	0.59	0.38	0.90	0.80	0.61	0.39	0.91	0.81	0.61	0.39
	Δ T	23	21	17	12	23	21	17	12	23	21	17	12	23	21	18	12	23	21	17	12	21	20	16	11
kW	4.06	4.15	4.27	4.41	4.37	4.46	4.60	4.75	4.64	4.74	4.89	5.04	4.87	4.98	5.14	5.31	5.07	5.19	5.35	5.53	5.25	5.36	5.54	5.72	
Amps	15.4	15.8	16.3	16.9	16.7	17.1	17.6	18.3	18.1	18.6	19.2	20.0	19.4	19.9	20.6	21.4	20.7	21.2	21.9	22.8	21.9	22.5	23.3	24.2	
Hi PR	262	282	297	310	294	316	334	348	334	359	379	396	380	409	432	451	428	460	486	507	473	509	537	560	
Lo PR	106	113	124	132	112	120	131	139	117	124	136	145	123	131	143	152	129	137	149	159	133	142	155	165	
MBh	57.1	58.8	63.6	68.3	55.8	57.4	62.1	66.7	54.4	56.0	60.7	65.1	53.1	54.7	59.2	63.5	50.4	51.9	56.2	60.3	46.7	48.1	52.1	55.9	
S/T	0.84	0.75	0.57	0.36	0.87	0.78	0.59	0.38	0.89	0.80	0.60	0.39	0.92	0.82	0.62	0.40	0.95	0.85	0.65	0.42	0.96	0.86	0.65	0.42	
Δ T	20	18	15	10	20	18	15	10	20	18	15	10	20	18	15	10	20	18	15	10	18	17	14	10	
kW	4.13	4.21	4.34	4.48	4.44	4.53	4.67	4.82	4.71	4.81	4.97	5.13	4.95	5.06	5.22	5.40	5.16	5.27	5.44	5.62	5.34	5.45	5.63	5.82	
Amps	15.7	16.1	16.6	17.2	17.0	17.4	18.0	18.7	18.5	18.9	19.6	20.3	19.8	20.3	21.0	21.8	21.1	21.6	22.3	23.2	22.4	22.9	23.7	24.6	
Hi PR	267	287	303	316	299	322	340	355	341	366	387	404	388	417	441	460	436	470	496	517	482	519	548	571	
Lo PR	109	115	126	134	115	122	133	142	119	127	138	147	125	133	145	155	131	140	152	162	136	144	158	168	

IDB: Entering Indoor Dry Bulb Temperature  
 High and low pressures are measured at the liquid and suction service valves.  
 Shaded area reflects ACCA (TVA) conditions  
 Amps = outdoor unit amps (comp.+fan)  
 kW = Total system power

IDB	AIRFLOW	OUTDOOR AMBIENT TEMPERATURE																																									
		65°F							75°F							85°F							95°F							105°F							115°F						
		59	63	67	71	59	63	67	71	59	63	67	71	59	63	67	71	59	63	67	71	59	63	67	71	59	63	67	71	59	63	67	71										
80	1750	MBh	56.1	57.4	61.3	65.5	54.8	56.0	59.9	64.0	53.5	54.7	58.4	62.5	52.2	53.4	57.0	60.9	49.6	50.7	54.2	57.9	45.9	46.9	50.2	53.6	45.9	46.9	50.2	53.6													
		S/T	0.86	0.81	0.66	0.5	0.90	0.84	0.68	0.51	0.92	0.86	0.70	0.5	0.95	0.89	0.72	0.54	0.98	0.92	0.75	0.6	0.99	0.93	0.76	0.57	0.99	0.93	0.76	0.57													
		Δ T	25	24	21	17	26	25	22	17	26	25	22	17	26	25	22	17	26	25	21	17	24	23	20	16	24	23	20	16													
	2250	MBh	56.1	57.4	61.3	65.5	54.8	56.0	59.9	64.0	53.5	54.7	58.4	62.5	52.2	53.4	57.0	60.9	49.6	50.7	54.2	57.9	45.9	46.9	50.2	53.6	45.9	46.9	50.2	53.6													
		S/T	0.86	0.81	0.66	0.5	0.90	0.84	0.68	0.51	0.92	0.86	0.70	0.5	0.95	0.89	0.72	0.54	0.98	0.92	0.75	0.6	0.99	0.93	0.76	0.57	0.99	0.93	0.76	0.57													
		Δ T	25	24	21	17	26	25	22	17	26	25	22	17	26	25	22	17	26	25	21	17	24	23	20	16	24	23	20	16													

IDB	AIRFLOW	OUTDOOR AMBIENT TEMPERATURE																																									
		65°F							75°F							85°F							95°F							105°F							115°F						
		59	63	67	71	59	63	67	71	59	63	67	71	59	63	67	71	59	63	67	71	59	63	67	71	59	63	67	71	59	63	67	71										
85	1750	MBh	57.1	58.2	61.0	65.0	55.8	56.9	59.6	63.5	54.5	55.5	58.1	62.0	53.1	54.2	56.7	60.5	50.5	51.4	53.9	57.5	46.7	47.7	49.9	53.2	46.7	47.7	49.9	53.2													
		S/T	0.91	0.87	0.79	0.64	0.94	0.91	0.82	0.66	0.96	0.93	0.84	0.68	0.99	0.96	0.87	0.70	1.00	1.00	0.90	0.73	1.00	1.00	0.91	0.74	1.00	1.00	0.91	0.74													
		Δ T	27	27	25	22	28	27	26	22	28	27	26	22	28	27	26	22	27	27	25	22	25	25	24	21	25	25	24	21													
	2250	MBh	57.1	58.2	61.0	65.0	55.8	56.9	59.6	63.5	54.5	55.5	58.1	62.0	53.1	54.2	56.7	60.5	50.5	51.4	53.9	57.5	46.7	47.7	49.9	53.2	46.7	47.7	49.9	53.2													
		S/T	0.91	0.87	0.79	0.64	0.94	0.91	0.82	0.66	0.96	0.93	0.84	0.68	0.99	0.96	0.87	0.70	1.00	1.00	0.90	0.73	1.00	1.00	0.91	0.74	1.00	1.00	0.91	0.74													
		Δ T	27	27	25	22	28	27	26	22	28	27	26	22	28	27	26	22	27	27	25	22	25	25	24	21	25	25	24	21													


IDB: Entering Indoor Dry Bulb Temperature  
 High and low pressures are measured at the liquid and suction service valves.  
 Shaded area reflects AHRI conditions  
 Amps = outdoor unit amps (comp.+fan)  
 kW = Total system power

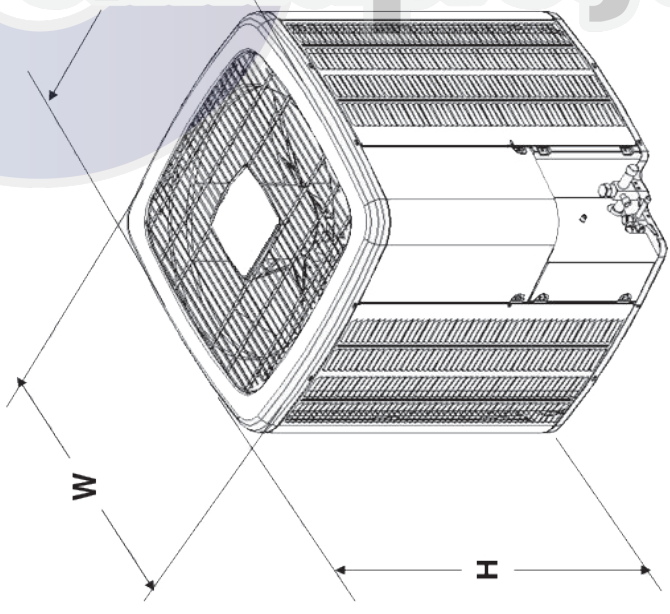




**ALL AHRI SYSTEM RATINGS ARE ACCESSIBLE IN THE UNITARY MATCHUP TOOL VIA DAIKIN CITY OR IN THE DAIKIN SYSTEM CONFIGURATOR TOOL VIA PARTNERLINK.**








ECN	REV	ZONE	DESCRIPTION	CHK	D	DATE
XXXXXX	A	XXXX		-	GL	

MODEL	DIMENSIONS		
	W"	D"	H"
DX13SN0181A*	26	26	27½
DX13SN0241**	26	26	27½
DX13SN0301A*	26	26	27½
DX13SN0361A*	26	26	27½
DX13SN0421A*	29	29	36¼
DX13SN0481A*	29	29	36¼
DX13SN0601A*	29	29	40
DX13SN0611A*	35½	35½	38¼

DRAWING TO BE INTERPRETED IN ACCORDANCE WITH ASME Y14.100 DIMENSIONING PRACTICES UNLESS OTHERWISE SPECIFIED.	
TOLERANCES: ANGLES: ±1° FB X ±.004 ±.015 HOLE Ø: ±.006 TUBE CUT: ±1.083	DWN BY: 
Daikin Manufacturing Company, L.P. DX13SN	
ENG:	
SHEET OF 1	

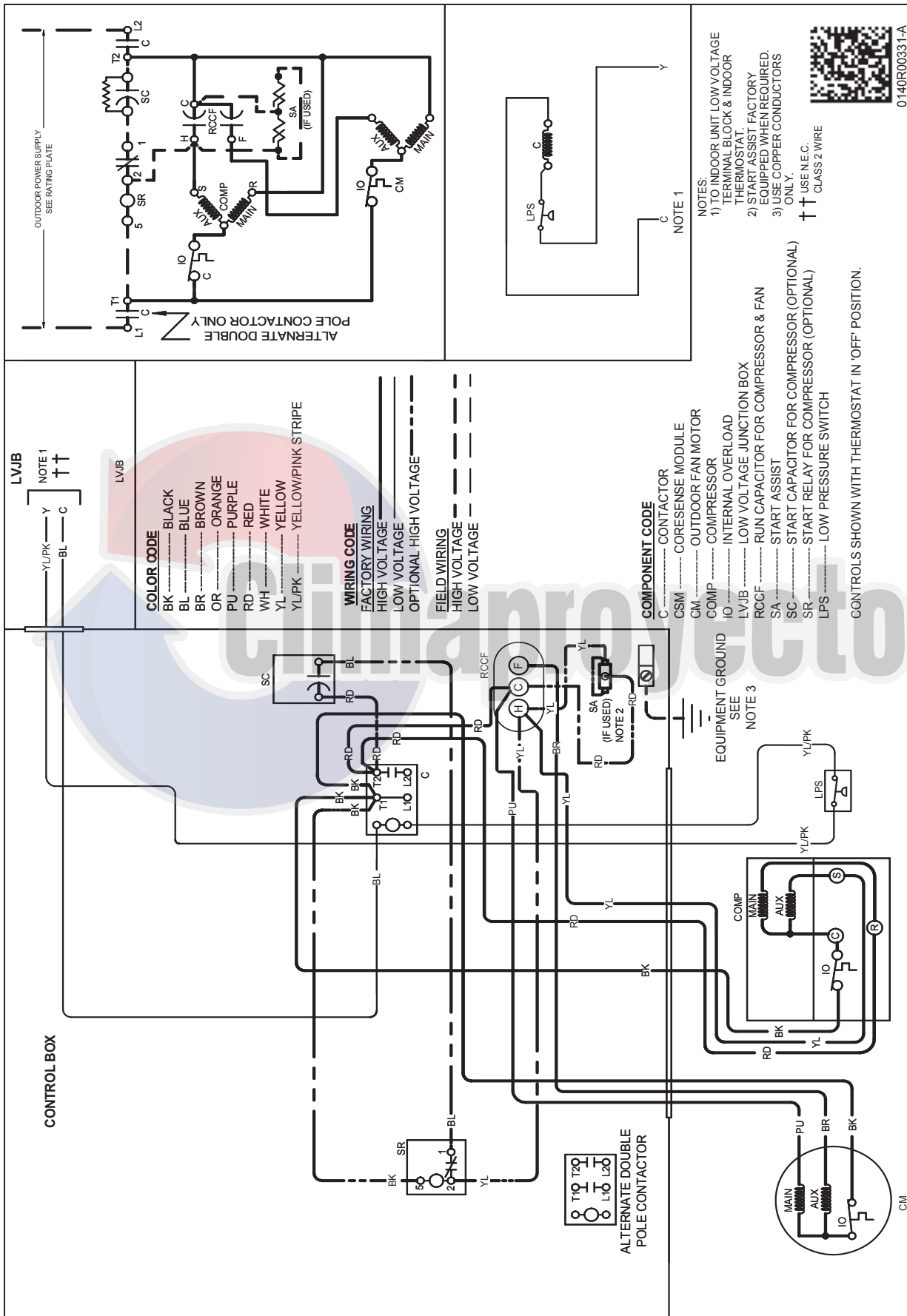
  

**SPECIAL CHARACTERISTICS:**

- ⊕ = 6 SIGMA
- ⊕ = CRITICAL CHARACTERISTIC
- ⊕ = SIGNIFICANT CHARACTERISTIC

COMPONENTS AND MATERIALS SPECIFIED HEREIN WILL ALSO CONFORM TO THE APPLICABLE SECTION OF GOODMAN MSPR2401 WORKMANSHIP STANDARD FOR FIT, FEEL AND FINISH.

CONFIDENTIAL PROPERTY OF THE GOODMAN MANUFACTURING COMPANY, L.P. NOT TO BE DISCLOSED TO OTHERS, COPIED, OR USED FOR ANY PURPOSE EXCEPT AS AUTHORIZED IN WRITING. MUST BE RETURNED UPON DEMAND, ON COMPLETION OF ORDER, OR OTHER PURPOSE FOR WHICH IT WAS SENT.

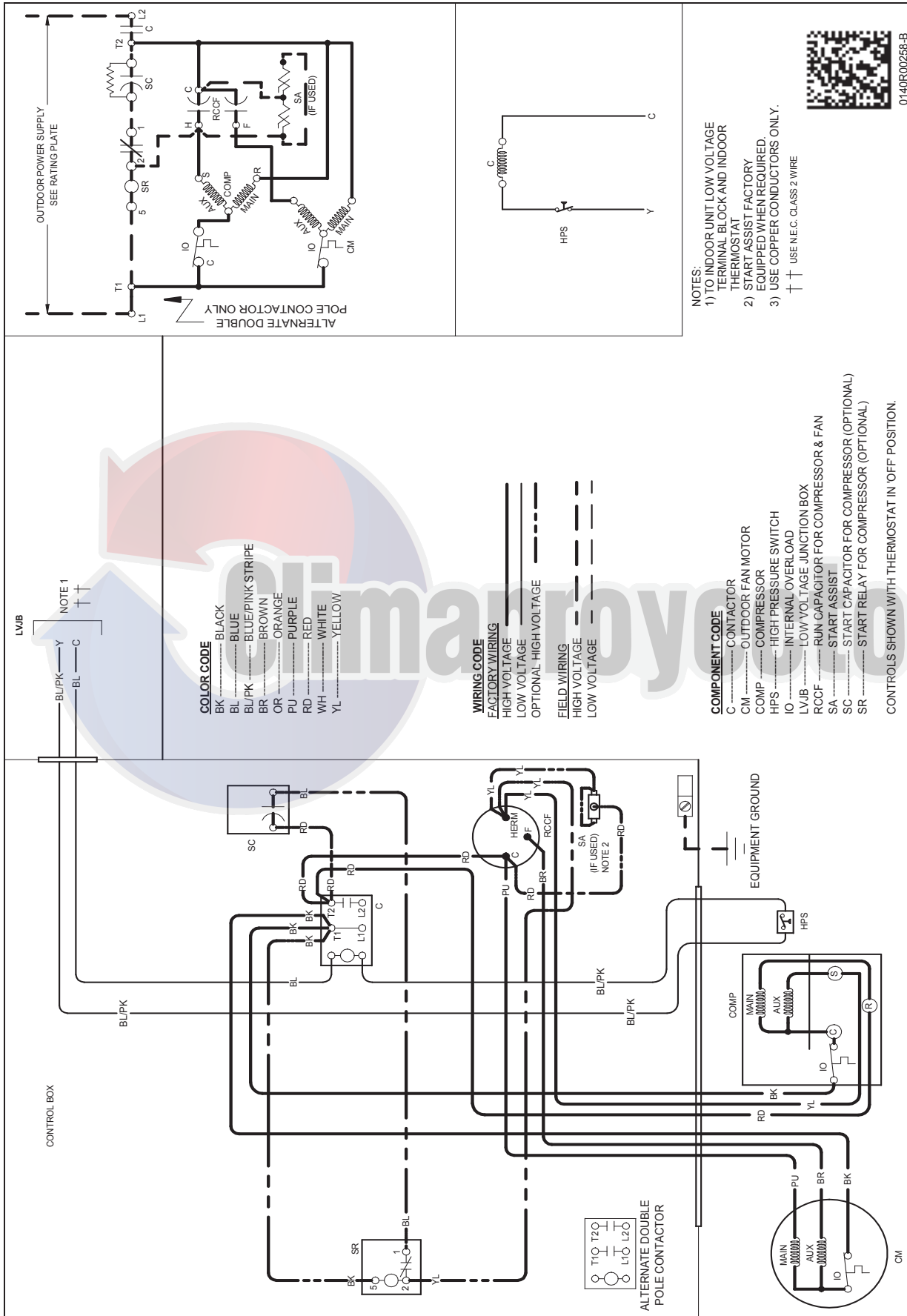


0140R00331-A

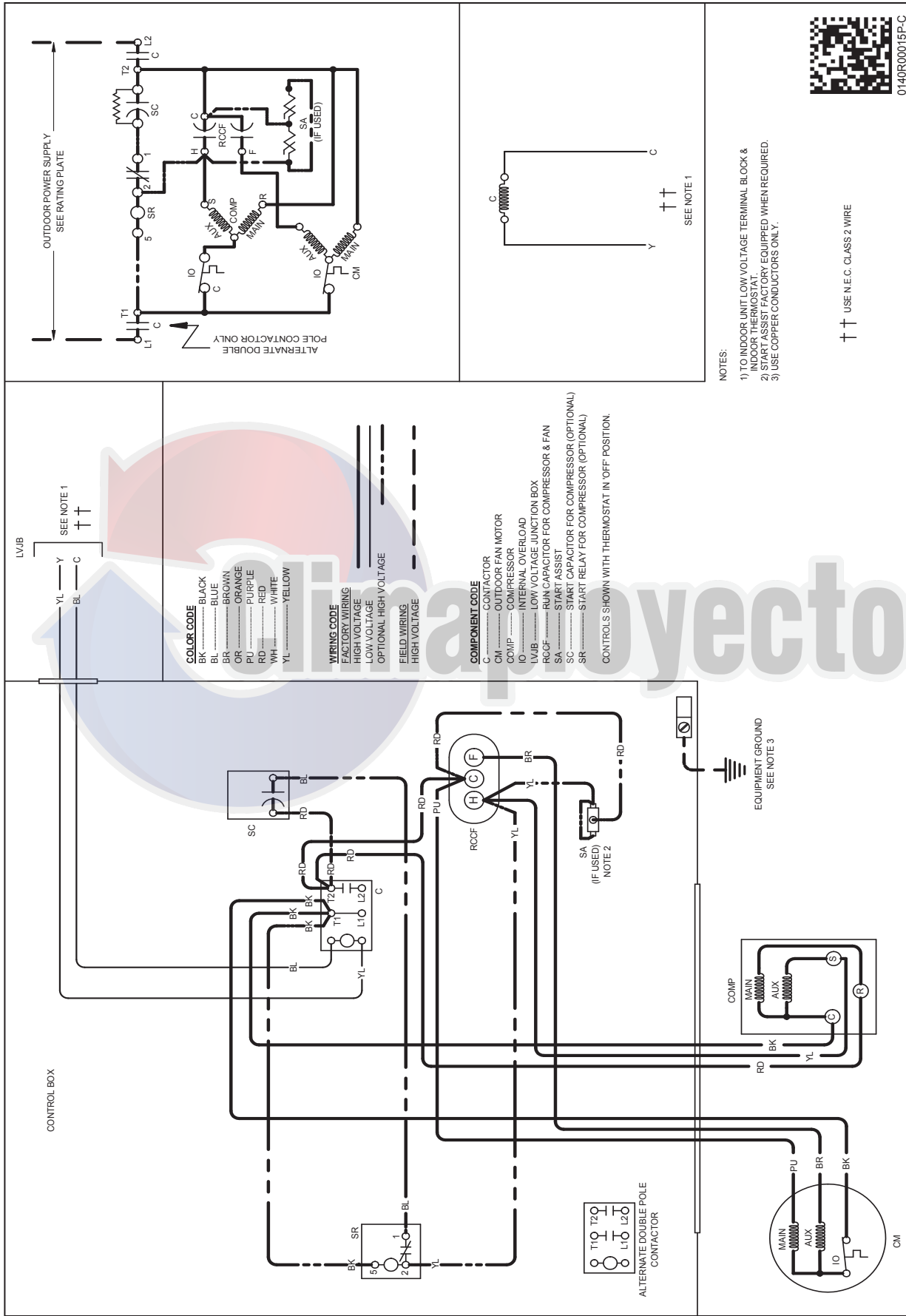
**WARNING**

**High Voltage:** Disconnect all power before servicing or installing this unit. Multiple power sources may be present. Failure to do so may cause property damage, personal injury, or death.





0140R00258-B



**WARNING**

**High Voltage:** Disconnect all power before servicing or installing this unit. Multiple power sources may be present. Failure to do so may cause property damage, personal injury, or death.



0140R00015P-C

- NOTES:**
- 1) TO INDOOR UNIT LOW VOLTAGE TERMINAL BLOCK & INDOOR THERMOSTAT.
  - 2) START ASSIST FACTORY EQUIPPED WHEN REQUIRED.
  - 3) USE COPPER CONDUCTORS ONLY.



SEE NOTE 1

↑ ↑ USE N.E.C. CLASS 2 WIRE

MODEL	DESCRIPTION	DX13SN 018**	DX13SN 024**	DX13SN 030**	DX13SN 036**	DX13SN 042**	DX13SN 048**	DX13SN 060**	DX13SN 061**
ABK-20	Anchor Bracket Kit <sup>^</sup>	X		X	X	X	X	X	X
ABK-21	Anchor Bracket Kit <sup>^</sup>		X						
ASC-01	Anti-Short Cycle Kit	X	X	X	X	X	X	X	X
CSR-U-1	Hard-start Kit	X	X	X	X	X	X	X	X
CSR-U-2	Hard-start Kit								
CSR-U-3	Hard-start Kit								
FSK01A <sup>1</sup>	Freeze Protection Kit	X	X	X	X	X	X	X	X
LSK02A <sup>2</sup>	Liquid Line Solenoid Kit	X	X	X	X	X	X	X	X
TX2N4 <sup>2</sup>	TXV Kit	X							
TX2N4A <sup>2</sup>	TXV Kit	X	X						
TX3N4 <sup>2</sup>	TXV Kit			X	X				
TX5N4 <sup>2</sup>	TXV Kit					X	X	X	X

<sup>^</sup> Contains 20 brackets; four brackets needed to anchor unit to pad

<sup>1</sup> Installed on indoor coil

<sup>2</sup> Field-installed, non-bleed, expansion valve kit — Condensing units and heat pumps with reciprocating compressors require the use of start-assist components when used in conjunction with an indoor coil using a non-bleed thermal expansion valve refrigerant metering device or liquid line solenoid kit.

