

# VRF Atom B Outdoor Unit

MDV-V28WDHN1(AtB) – Heat Pump

1-phase, 220-240V, 50/60Hz



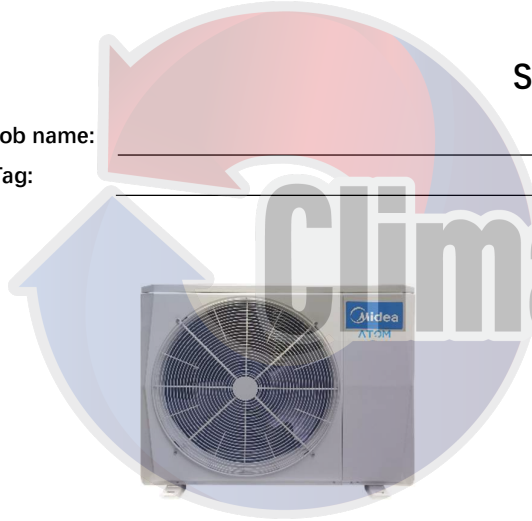
## Submittal Data

Job name: \_\_\_\_\_

Location: \_\_\_\_\_

Tag: \_\_\_\_\_

Date: \_\_\_\_\_



### MDV-V28WDHN1(AtB) Features:

- ◆ All flare connections, install in a flash
- ◆ 1 to 4 indoor units connection
- ◆ Long piping length
- ◆ Centralized control with other VRF system, convenient for unified management
- ◆ Wide operation range: cooling - -5°C to 55 °C; heating - -15°C to 27 °C

### Specifications:

Model			MDV-V28WDHN1(AtB)
Cooling <sup>1</sup>	Capacity	kBtu/h	27
		kW	8
	Input	kW	2.1
	EER	kW/ kW	3.81
Heating <sup>2</sup>	Capacity	kBtu/h	30
		kW	9
	Input	kW	2.04
	COP	kW/ kW	4.41
Connectable indoor unit	Total capacity		45~130% of outdoor unit capacity
	Quantity		1~4
Compressor	Type		DC inverter
	Quantity		1
Fan motor	Type		DC motor
	Quantity		1
Outdoor air flow		m <sup>3</sup> /h	3700
Sound pressure level <sup>3</sup>		dB(A)	54
Net/Packed dimensions (W×H×D)		mm	910×712×426
Packed dimensions (W×H×D)		mm	1045×810×485
Net/Gross weight		kg	49/53
Refrigerant type/factory charge		kg	R410A/1.7
Liquid/Gas pipe		mm	Φ9.53/Φ15.9
Minimum Circuit Amps (MCA)		A	21.25
Recommended Fuse Size (MFA)		A	25

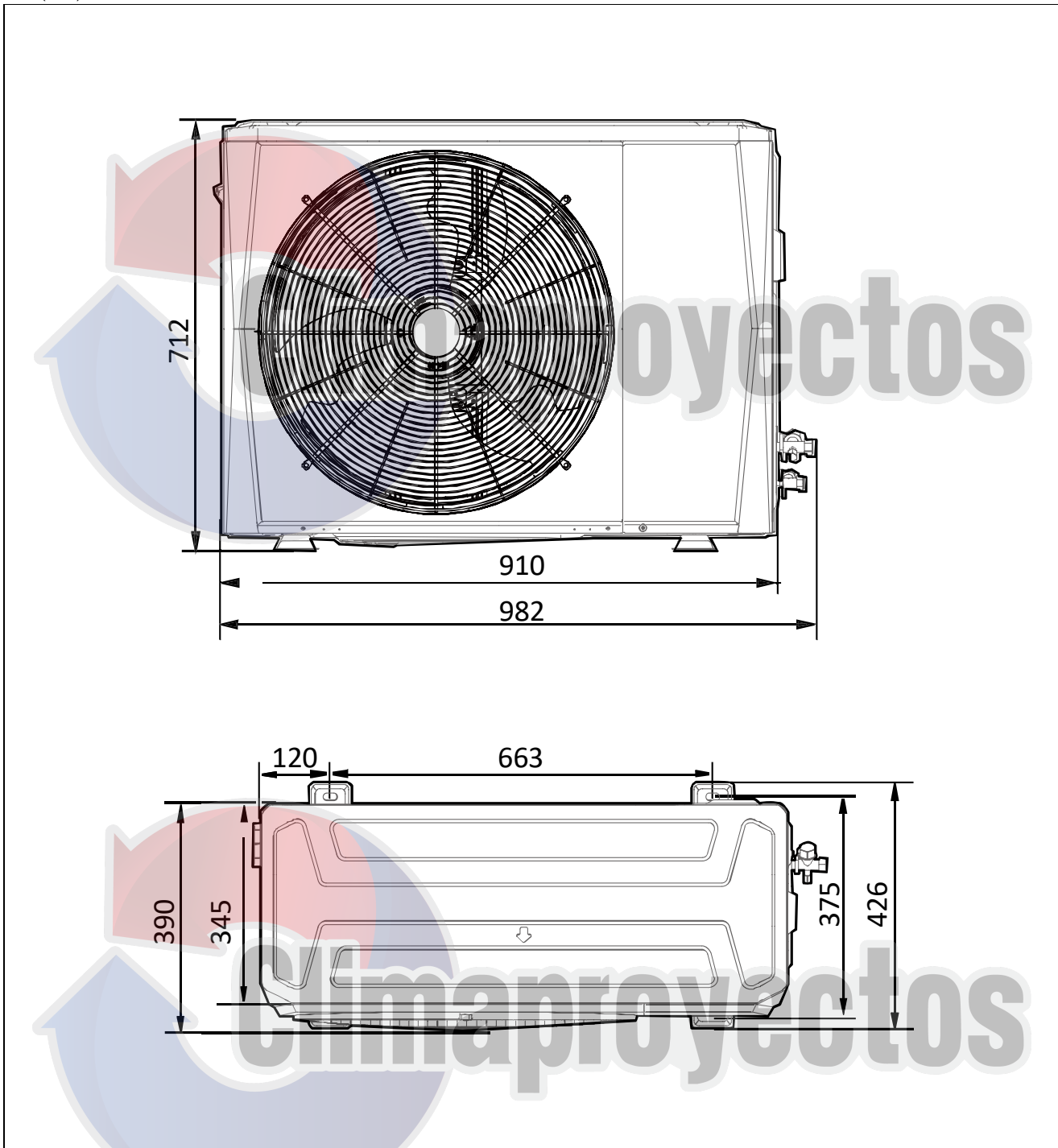
#### Notes:

1. Indoor temperature 27°CDB, 19°CWB; outdoor temperature 35°CDB; equivalent refrigerant piping length 7.5m with zero level difference.
2. Indoor temperature 20°CDB; outdoor temperature 7°CDB, 6°CWB; equivalent refrigerant piping length 7.5m with zero level difference.
3. Sound pressure level is measured 1m in front of the unit and 1.3m above the floor in a semi-anechoic chamber.

Product specifications change from time to time as product improvements and developments are released and may vary from those in this document.

**Dimensional Drawing:**

Unit (mm)



Product specifications change from time to time as product improvements and developments are released and may vary from those in this document.